



US00D699535S

(12) **United States Design Patent**  
**Albrecht**

(10) **Patent No.:** **US D699,535 S**

(45) **Date of Patent:** **\*\* Feb. 18, 2014**

(54) **NAILER**

(75) Inventor: **Klaus Albrecht**, Bad Oldesloe (DE)

(73) Assignee: **Joh. Friedrich Behrens AG**, Ahrensburg (DE)

(\*\*) Term: **14 Years**

(21) Appl. No.: **29/430,663**

(22) Filed: **Aug. 28, 2012**

7,284,685	B1 *	10/2007	Wojcicki et al.	227/119
7,413,105	B1 *	8/2008	Ho et al.	227/120
7,516,532	B2 *	4/2009	Wojcicki	29/428
2006/0118591	A1 *	6/2006	Ho	227/8
2009/0050668	A1 *	2/2009	Jian	227/126

**FOREIGN PATENT DOCUMENTS**

DE	49901498	*	10/1999	8/5
DE	40001673	*	6/2000	8/2
DE	40506488	*	6/2006	8/2
DE	40600123	*	6/2006	8/2
JP	2002346948	A	* 12/2002	B25C 7/00
WO	WO 2008023590	A1	* 2/2008	B25C 1/00

**Related U.S. Application Data**

(62) Division of application No. 29/400,840, filed on Sep. 1, 2011.

(30) **Foreign Application Priority Data**

Mar. 3, 2011	(EM)	001830324-0001
Mar. 3, 2011	(EM)	001830324-0002
Mar. 3, 2011	(EM)	001830324-0003
Mar. 3, 2011	(EM)	001830324-0004

(51) **LOC (10) CL.** ..... **08-03**

(52) **U.S. CL.**  
USPC ..... **D8/68**

(58) **Field of Classification Search**  
USPC ..... D8/49, 61-70; 227/8, 10, 19, 107, 109,  
227/110, 111, 120, 130, 134, 135, 141,  
227/142; 60/632

See application file for complete search history.

(56) **References Cited**

**U.S. PATENT DOCUMENTS**

6,045,024	A *	4/2000	Phillips	227/130
D435,769	S *	1/2001	Etter et al.	D8/68
D475,597	S *	6/2003	Arai	D8/68
D478,490	S *	8/2003	Wu	D8/68
D479,110	S *	9/2003	Nolan et al.	D8/68
6,913,180	B2 *	7/2005	Schuster	227/109
D512,622	S *	12/2005	Thomas	D8/69
D553,931	S *	10/2007	Buck	D8/68

**OTHER PUBLICATIONS**

Illinois Tool Works, Inc. T250S-F16 16 Gauge Straight Finish Air Nailer Apr. 2010 Operating Manual and Tool Schematic (See pp. 1 & 5).\*

Hitachi Finish Nailer NT65A3 Jun. 2011 Hitachi Power Tools 2011-2012 (Catalog).\*

\* cited by examiner

*Primary Examiner* — Philip S Hyder

*Assistant Examiner* — Darlington Ly

(74) *Attorney, Agent, or Firm* — Vidas, Arrett & Steinkraus

(57) **CLAIM**

The ornamental design for a nailer, as shown and described.

**DESCRIPTION**

FIG. 1 is a back view of the nailer.

FIG. 2 is a bottom view of the nailer.

FIG. 3 is a front view of the nailer.

FIG. 4 is a perspective view from the top and right side of the nailer.

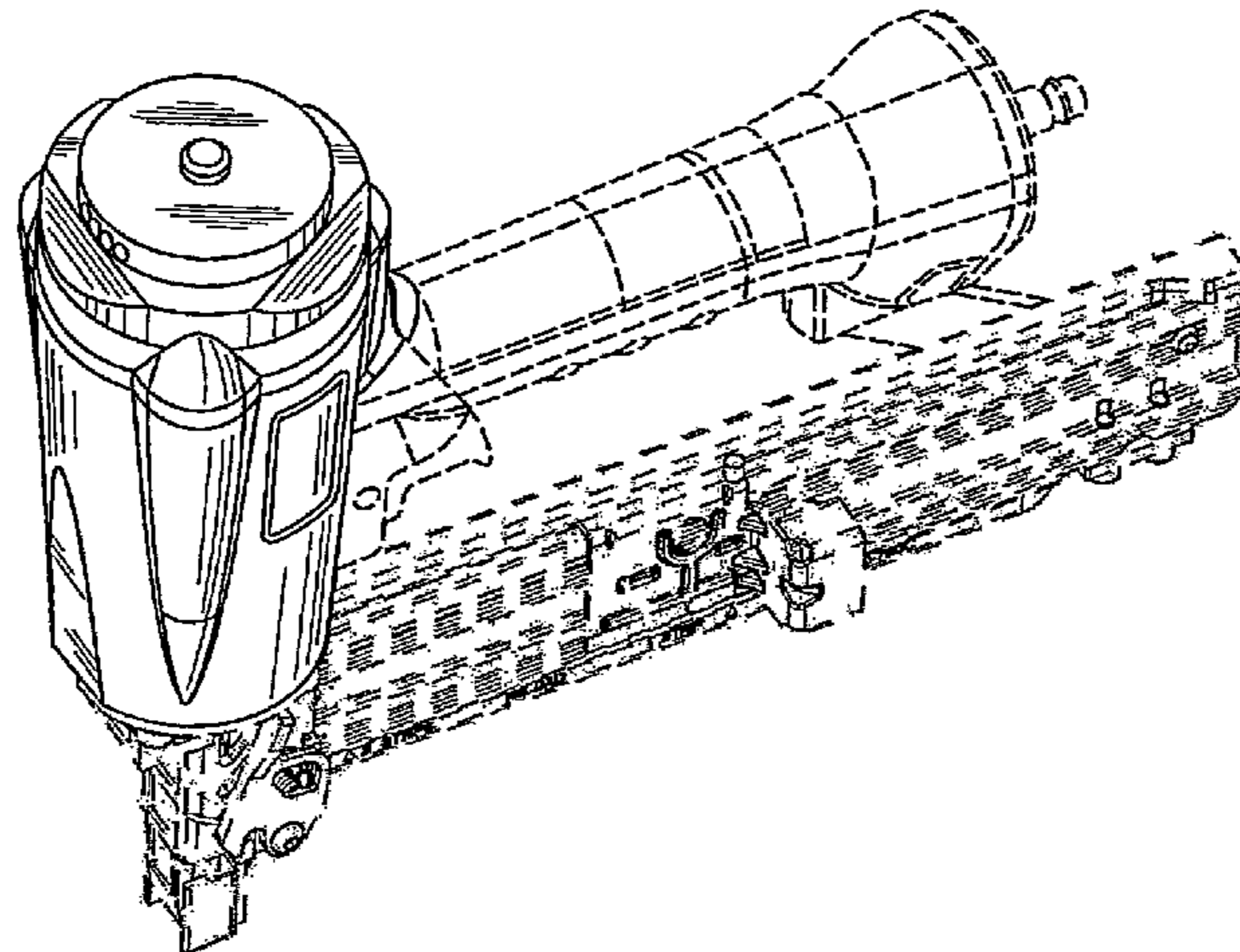
FIG. 5 is a right side view of the nailer.

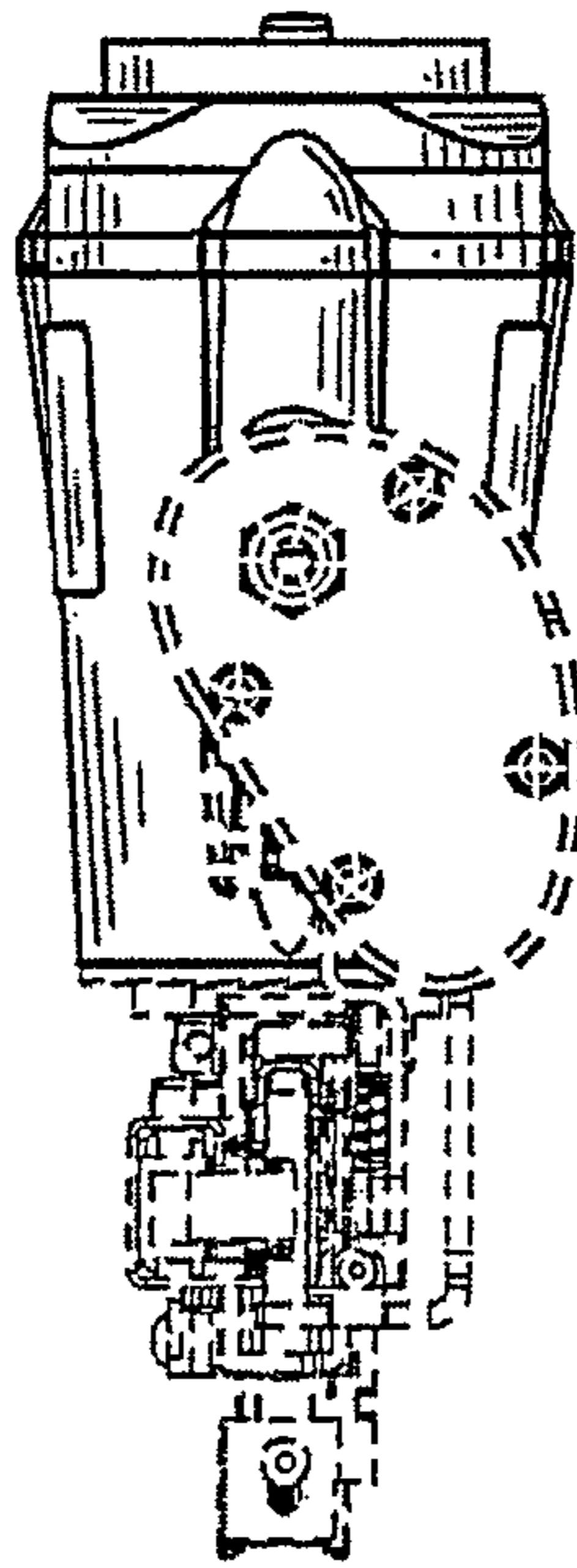
FIG. 6 is a left side view of the nailer; and,

FIG. 7 is an upper view of the nailer.

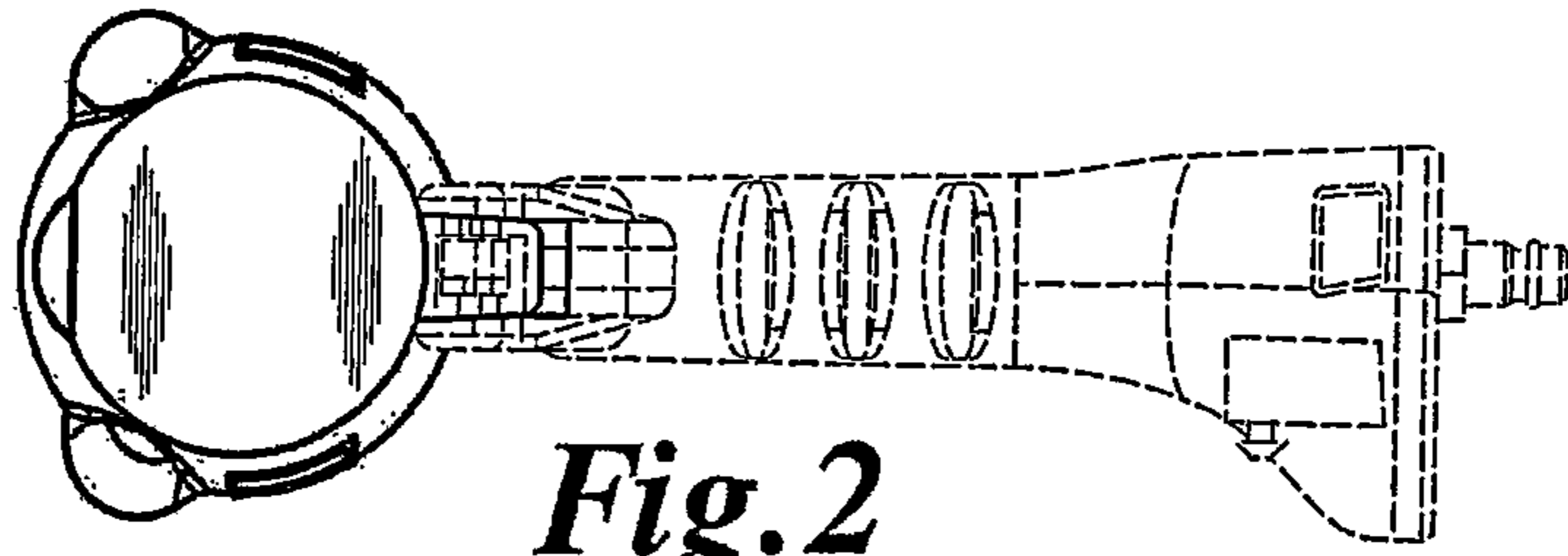
In each of FIGS. 1-7, broken lines illustrate portions of the nailer that form no part of the design.

**1 Claim, 2 Drawing Sheets**

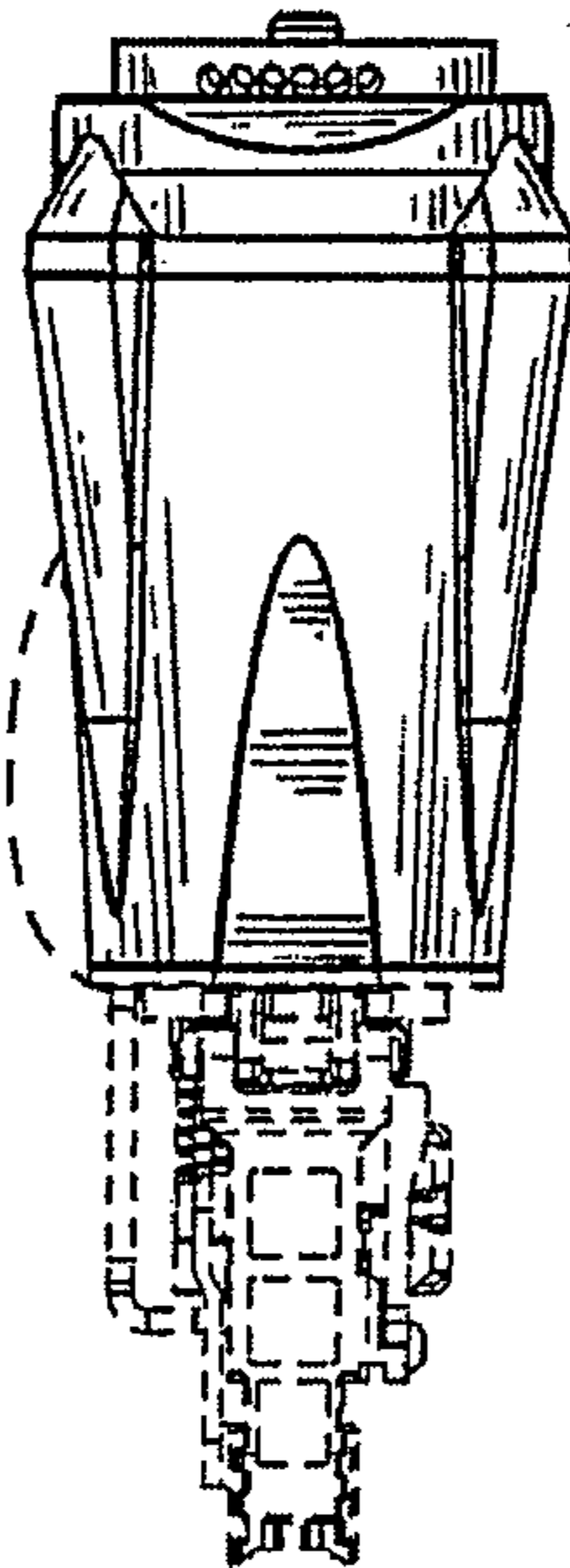




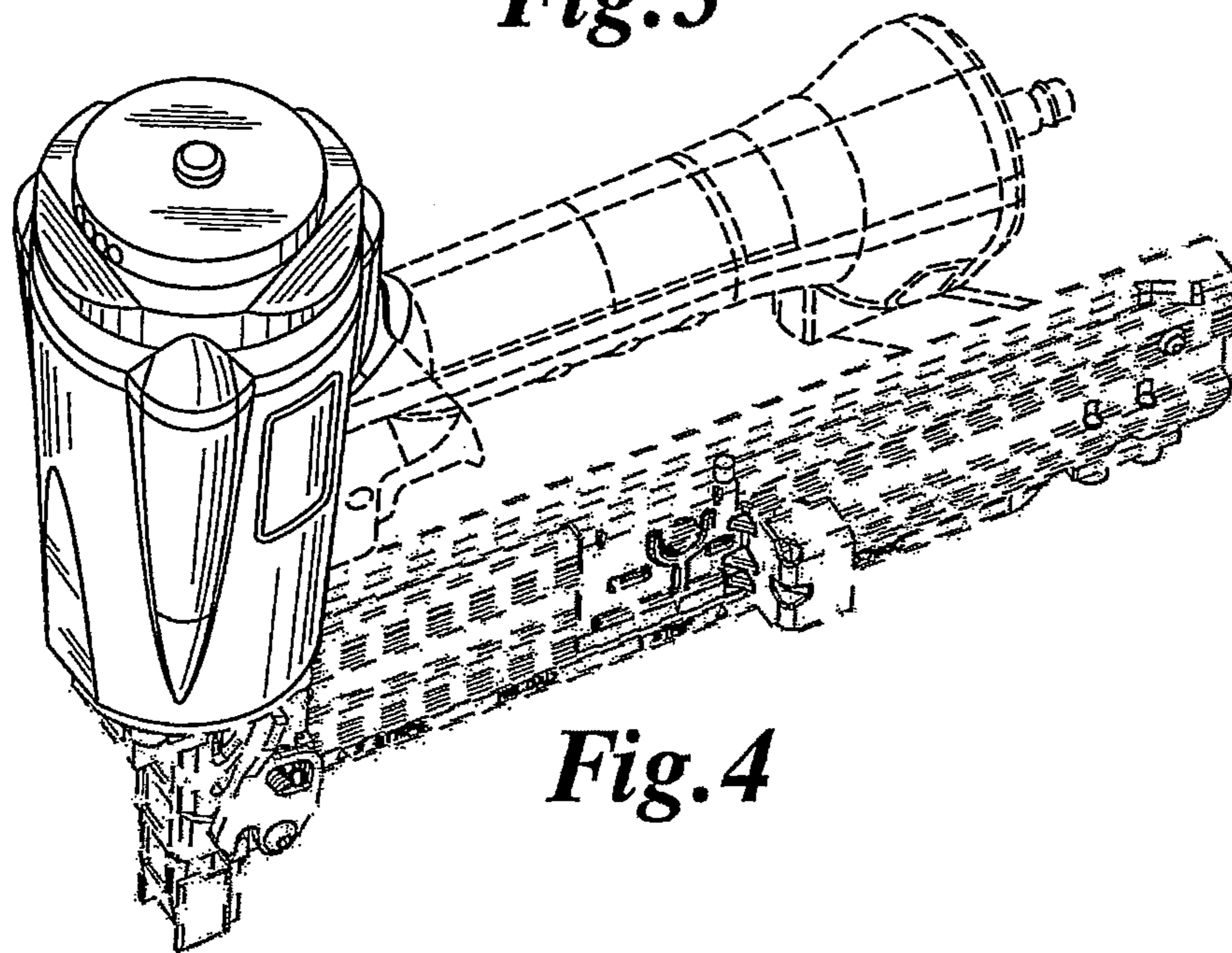
*Fig. 1*



*Fig. 2*

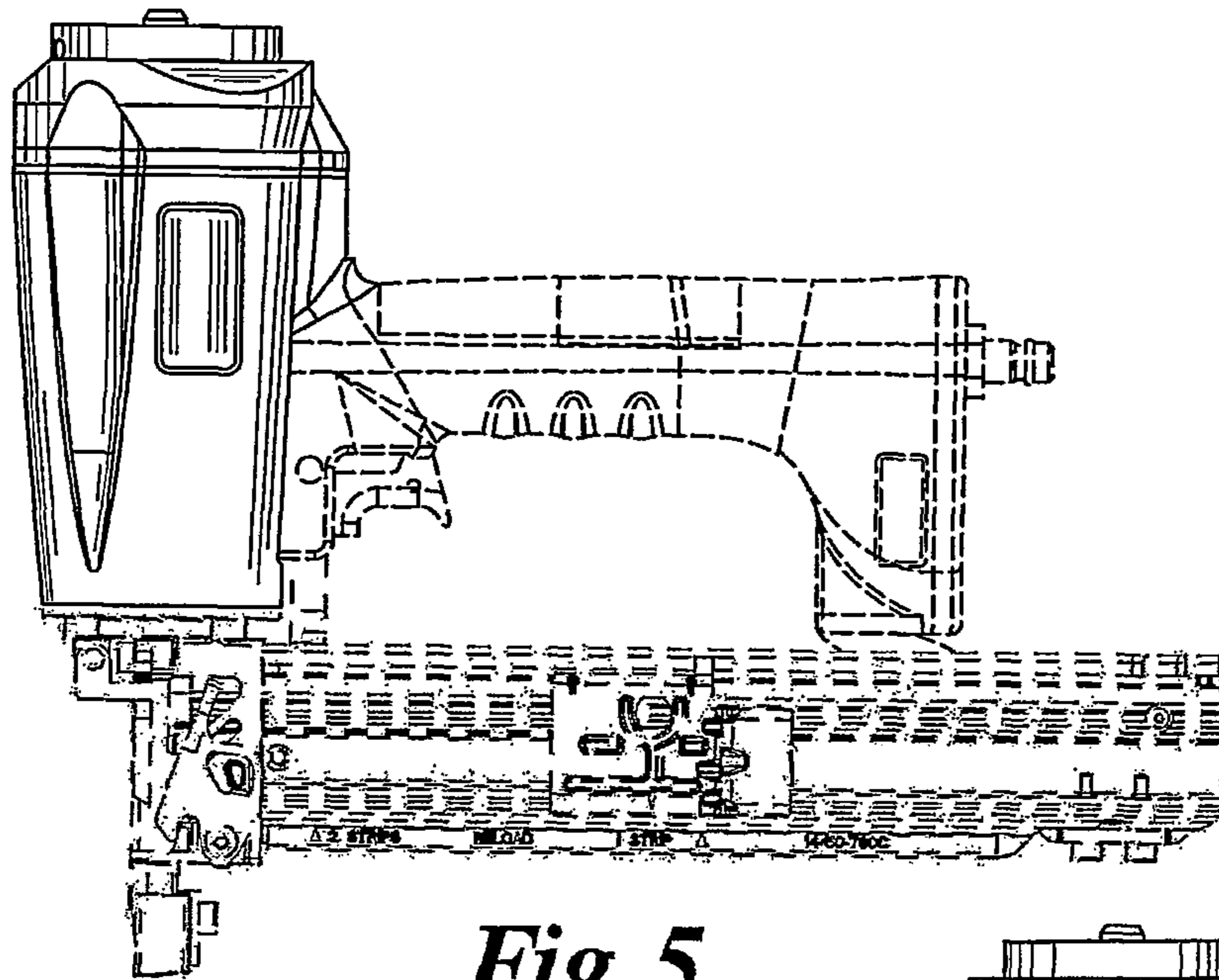


*Fig. 3*

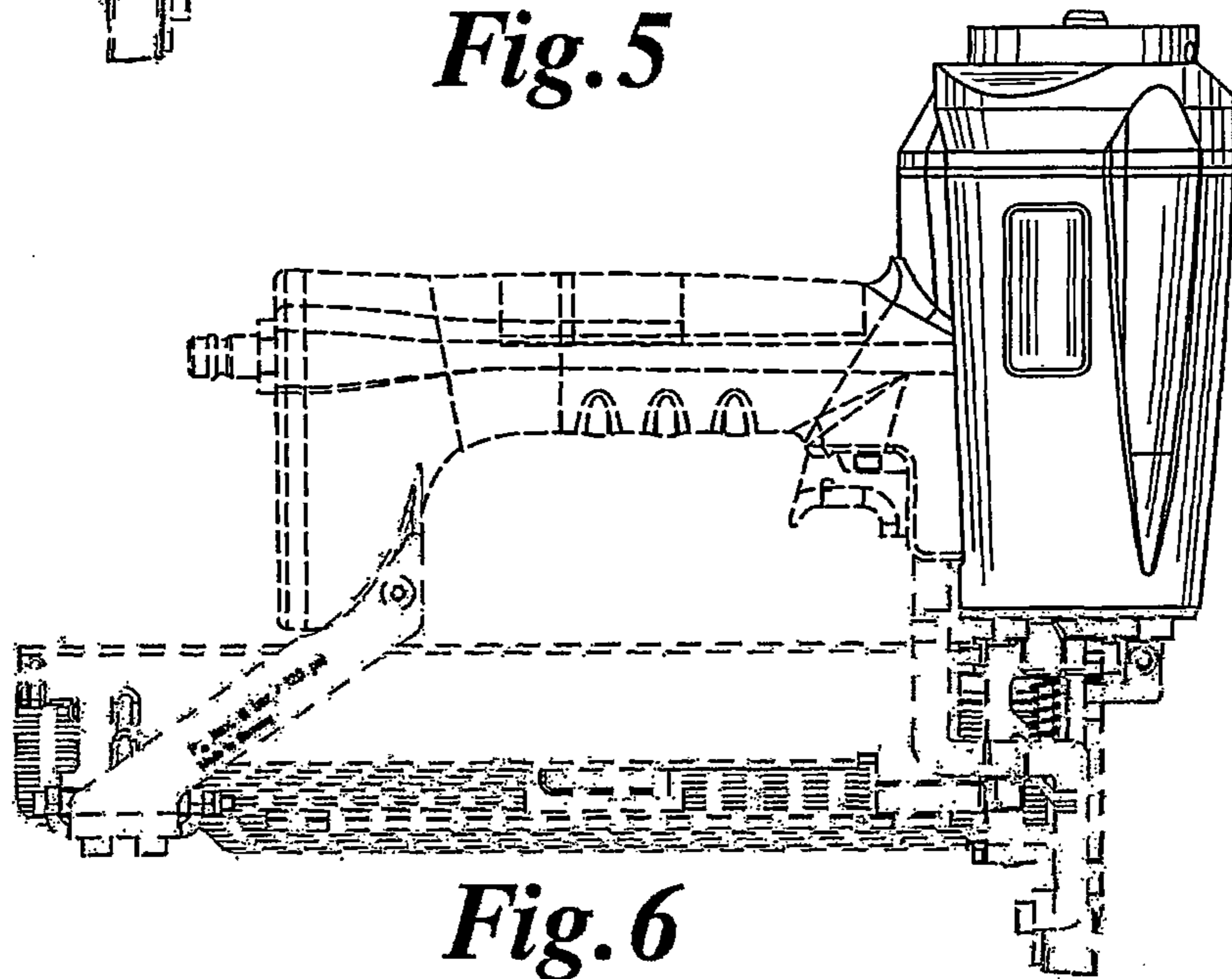


*Fig. 4*

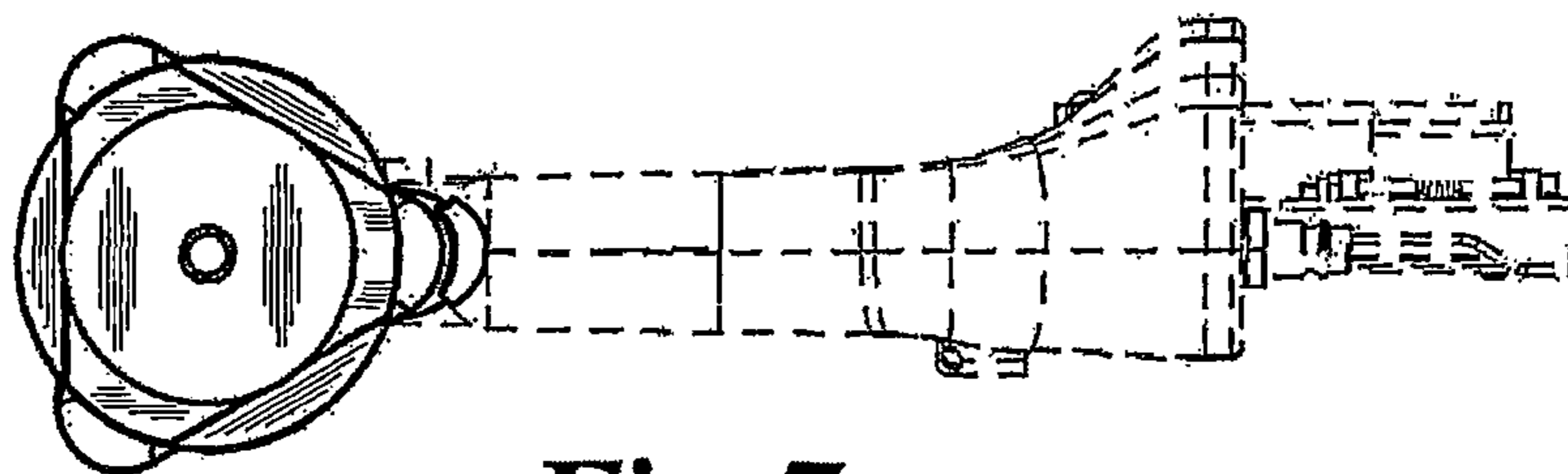




*Fig. 5*



*Fig. 6*



*Fig. 7*