



US00D699534S

(12) **United States Design Patent**
Elek et al.

(10) **Patent No.:** **US D699,534 S**
(45) **Date of Patent:** **** Feb. 18, 2014**

- (54) **KNIFE SHARPENER**
- (71) Applicant: **Edgcraft Corporation**, Avondale, PA (US)
- (72) Inventors: **Bela Elek**, Wilmington, DE (US);
Daniel D. Friel, Sr., Greenville, DE (US); **Abraham Leibson**, Lambertville, NJ (US)
- (73) Assignee: **Edgcraft Corporation**, Avondale, PA (US)
- (**) Term: **14 Years**
- (21) Appl. No.: **29/441,495**
- (22) Filed: **Jan. 7, 2013**
- (51) **LOC (10) Cl.** **08-05**
- (52) **U.S. Cl.**
USPC **D8/63**
- (58) **Field of Classification Search**
USPC D8/34, 35, 63, 91, 93; 451/45, 267,
451/552, 555-558; 76/82, 84, 86-89.2;
30/138
See application file for complete search history.

6,267,652	B1	7/2001	Friel	
6,863,600	B2	3/2005	Friel	
6,875,093	B2	4/2005	Friel	
6,881,137	B2	4/2005	Friel	
6,997,795	B2	2/2006	Friel	
D542,616	S	5/2007	Elek	
D543,430	S	5/2007	Barr	
7,235,004	B2	6/2007	Friel	
7,287,445	B2	10/2007	Friel	
D567,611	S	4/2008	Elek	
D575,124	S *	8/2008	Smith D8/63
7,452,262	B2	11/2008	Friel	
7,488,241	B2	2/2009	Elek	
7,494,403	B2	2/2009	Friel	
7,517,275	B2	4/2009	Friel	
7,686,676	B2	3/2010	Friel	
D620,332	S	7/2010	Elek	
D632,153	S *	2/2011	Walker et al. D8/93
8,043,143	B2	10/2011	Elek	
D651,887	S	1/2012	Elek	

(Continued)

Primary Examiner — Austin Murphy
Assistant Examiner — Roselynn Cody
 (74) *Attorney, Agent, or Firm* — Novak Druce Connolly Bove + Quigg LLP

(57) **CLAIM**
 The ornamental design for a knife sharpener, as shown and described.

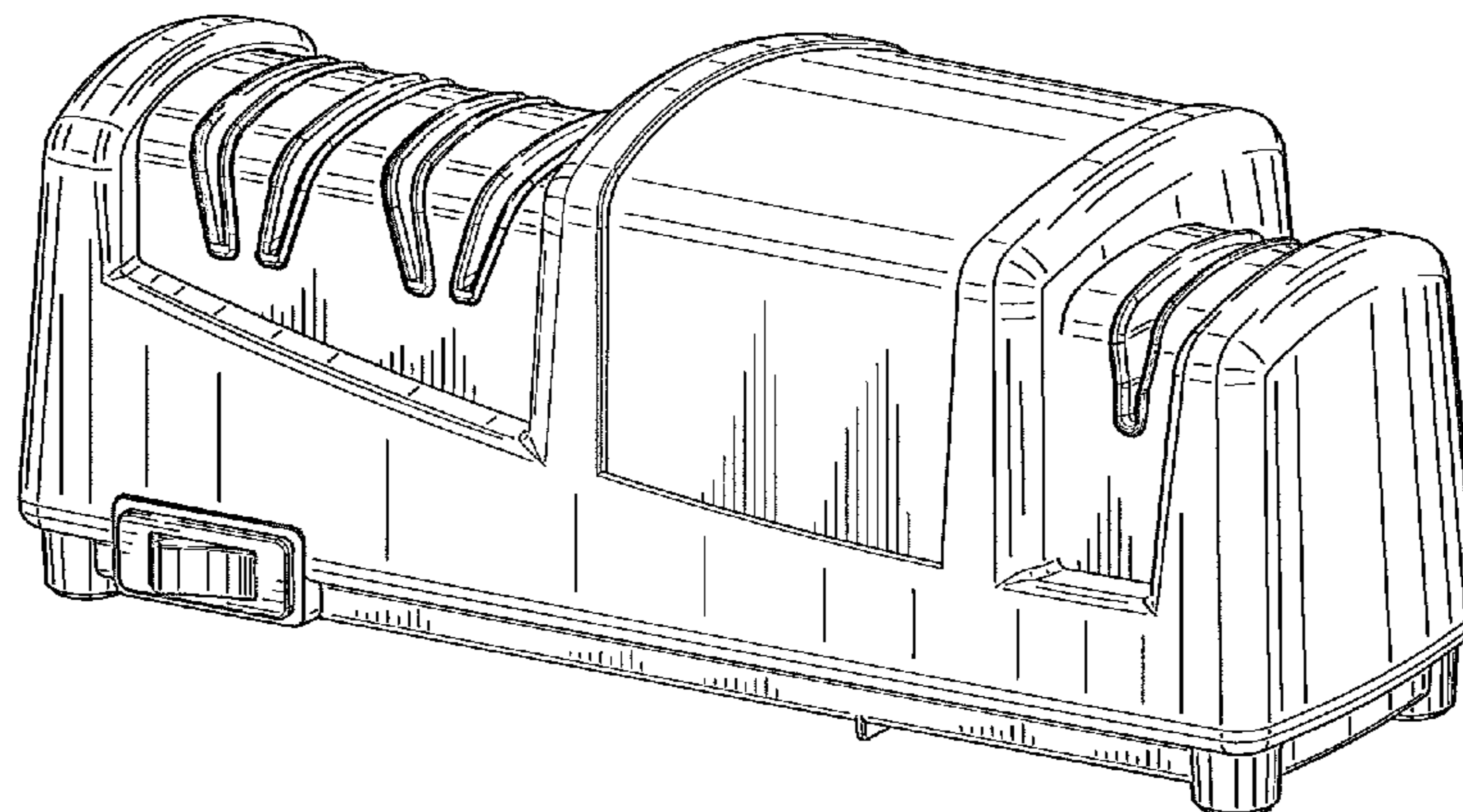
DESCRIPTION

FIG. 1 is a perspective view of a knife sharpener showing our new design;
 FIG. 2 is a front elevational view thereof;
 FIG. 3 is a rear elevational view thereof;
 FIG. 4 is a right end elevational view thereof;
 FIG. 5 is a left end elevational view thereof;
 FIG. 6 is a top plan view thereof; and,
 FIG. 7 is a bottom plan view thereof.
 The broken lines in FIGS. 3 and 7 illustrate portions of the design that form no part of the claim.

1 Claim, 4 Drawing Sheets

(56) **References Cited**
 U.S. PATENT DOCUMENTS

4,627,194	A	12/1986	Friel
4,716,689	A	1/1988	Friel
4,807,399	A	2/1989	Friel
D303,209	S	9/1989	Friel
D310,620	S	9/1990	Friel
5,005,319	A	4/1991	Friel
D328,410	S	8/1992	Friel
5,148,634	A	9/1992	Bigliano
5,245,791	A	9/1993	Bigliano
5,611,726	A	3/1997	Friel
D409,891	S	5/1999	Friel
6,012,971	A	1/2000	Friel
6,113,476	A	9/2000	Friel



US D699,534 S

Page 2

(56)

References Cited

U.S. PATENT DOCUMENTS

D652,284 S 1/2012 Elek
D665,647 S 8/2012 Friel
8,267,750 B2 9/2012 Friel

D680,399 S * 4/2013 Elek et al. D8/63
D688,545 S * 8/2013 Jensen et al. D8/63
2009/0233530 A1 9/2009 Friel

* cited by examiner

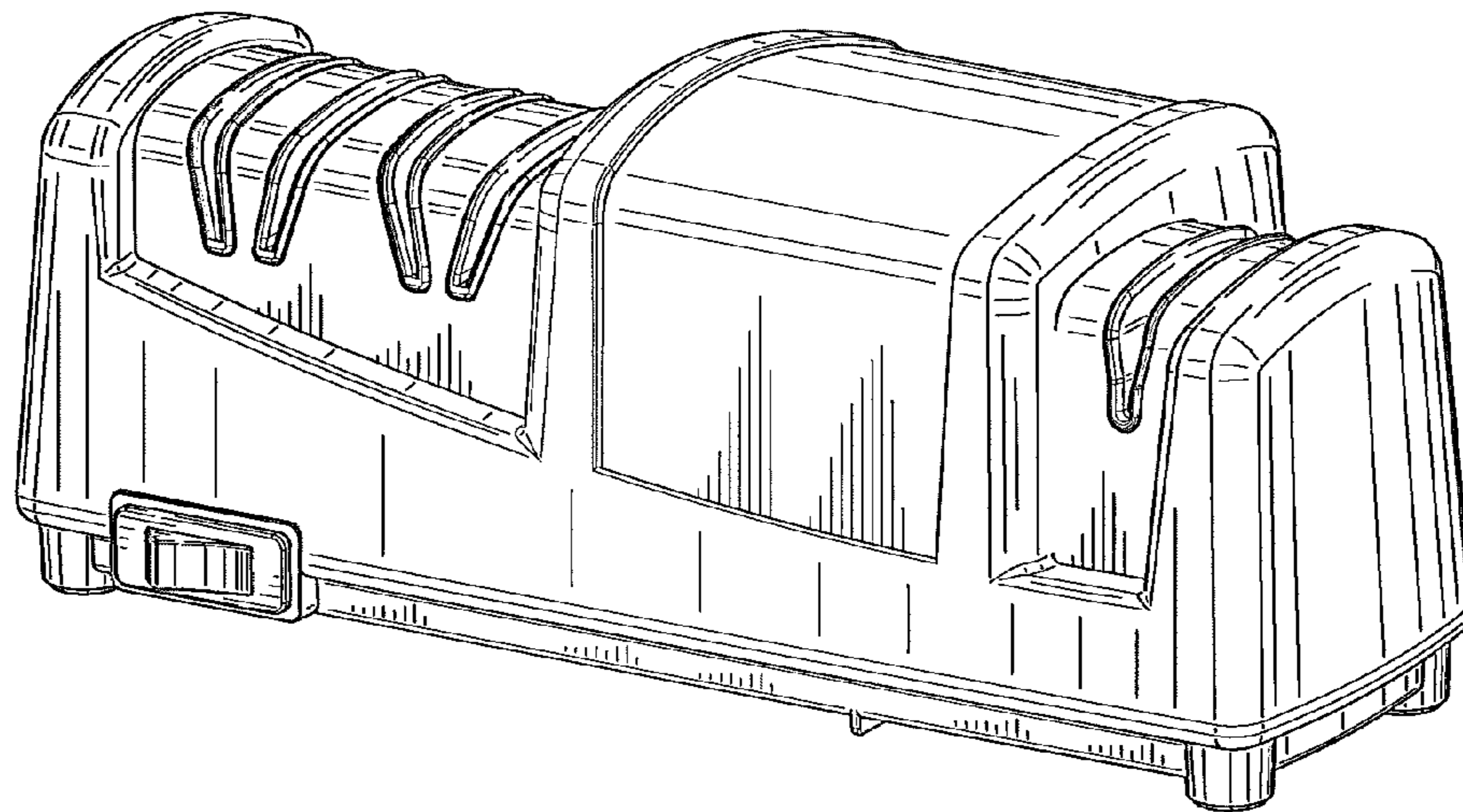


FIG. 1

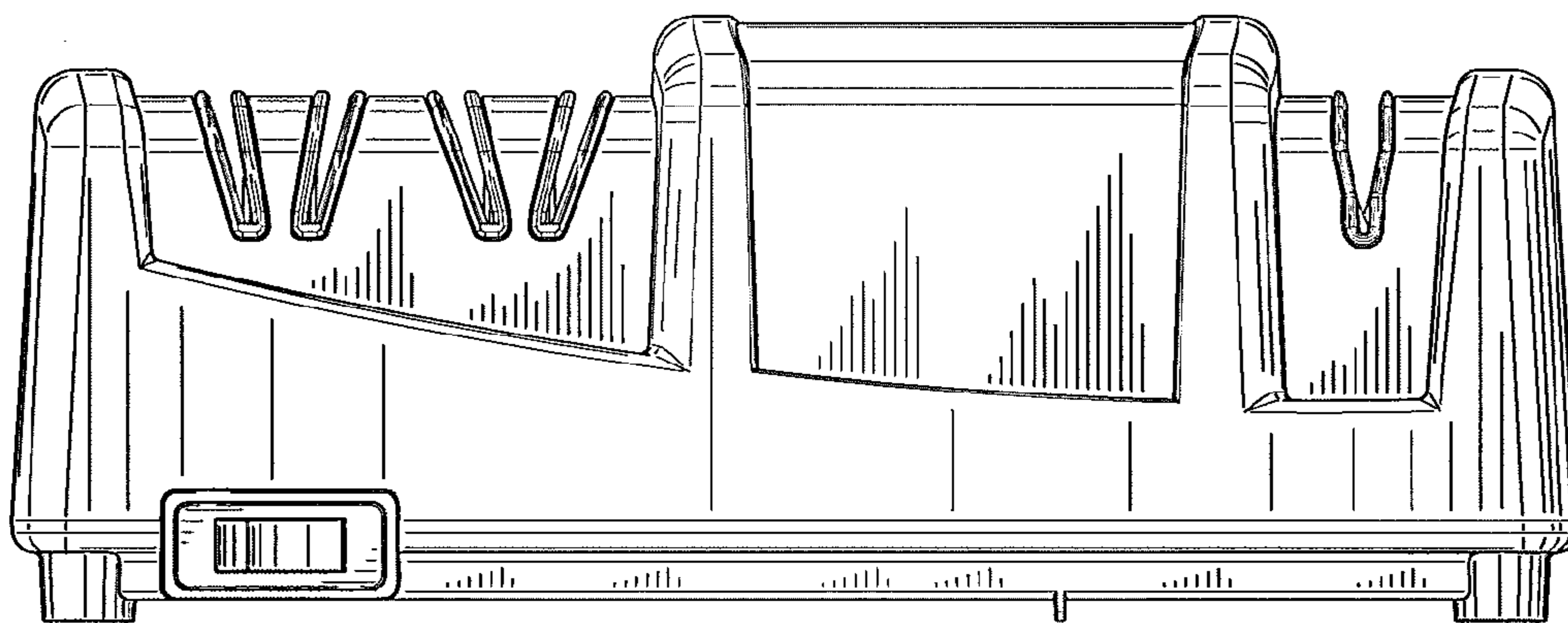


FIG. 2

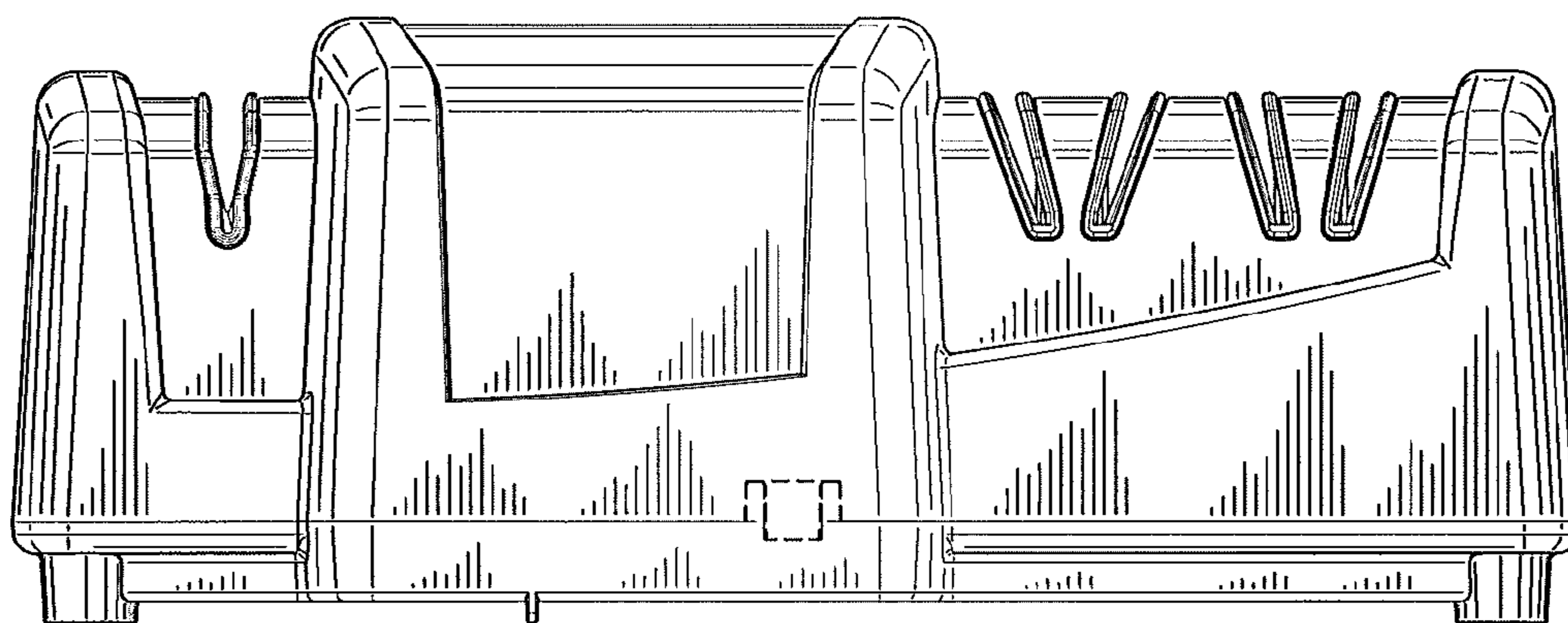


FIG. 3

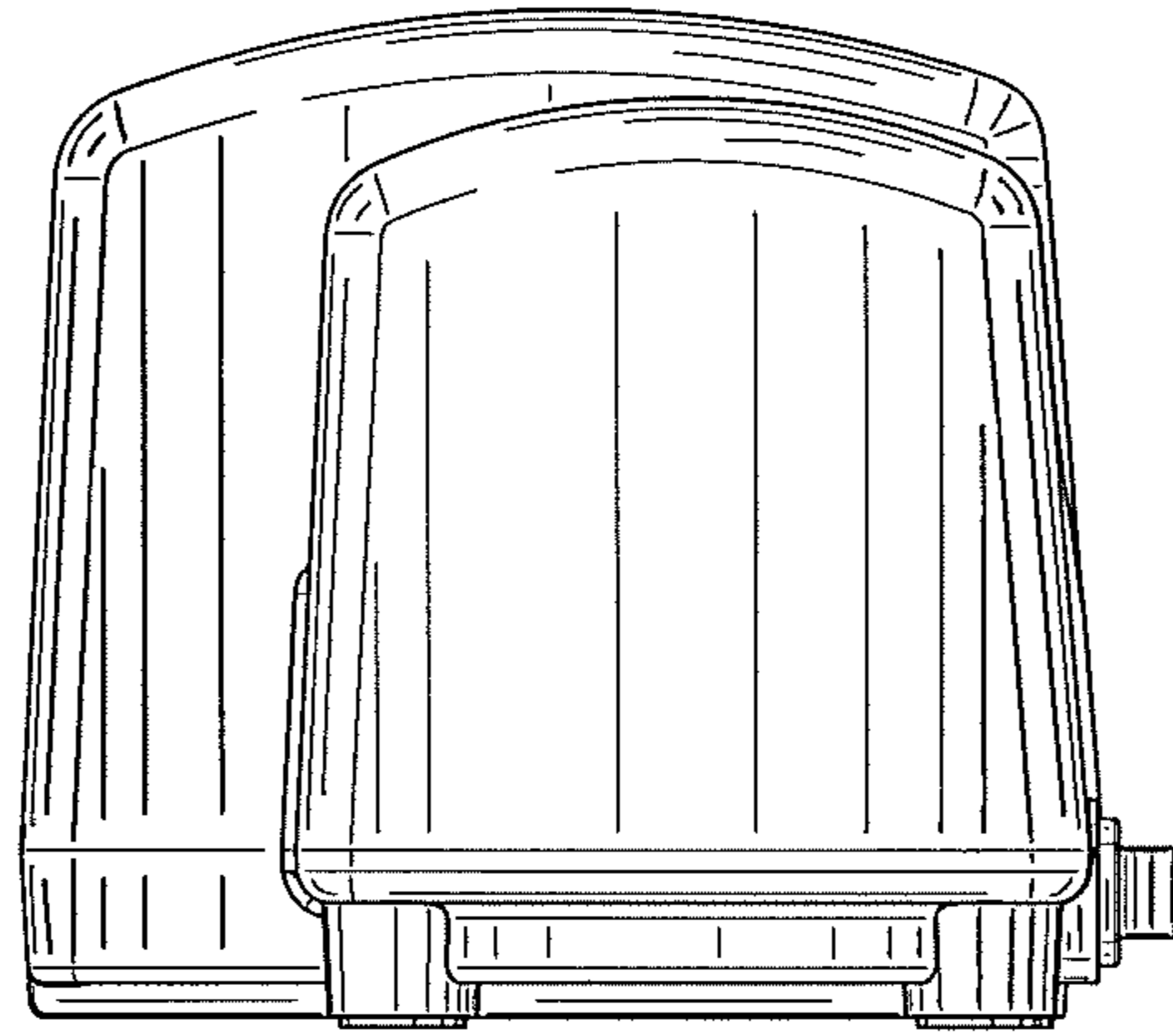


FIG. 4

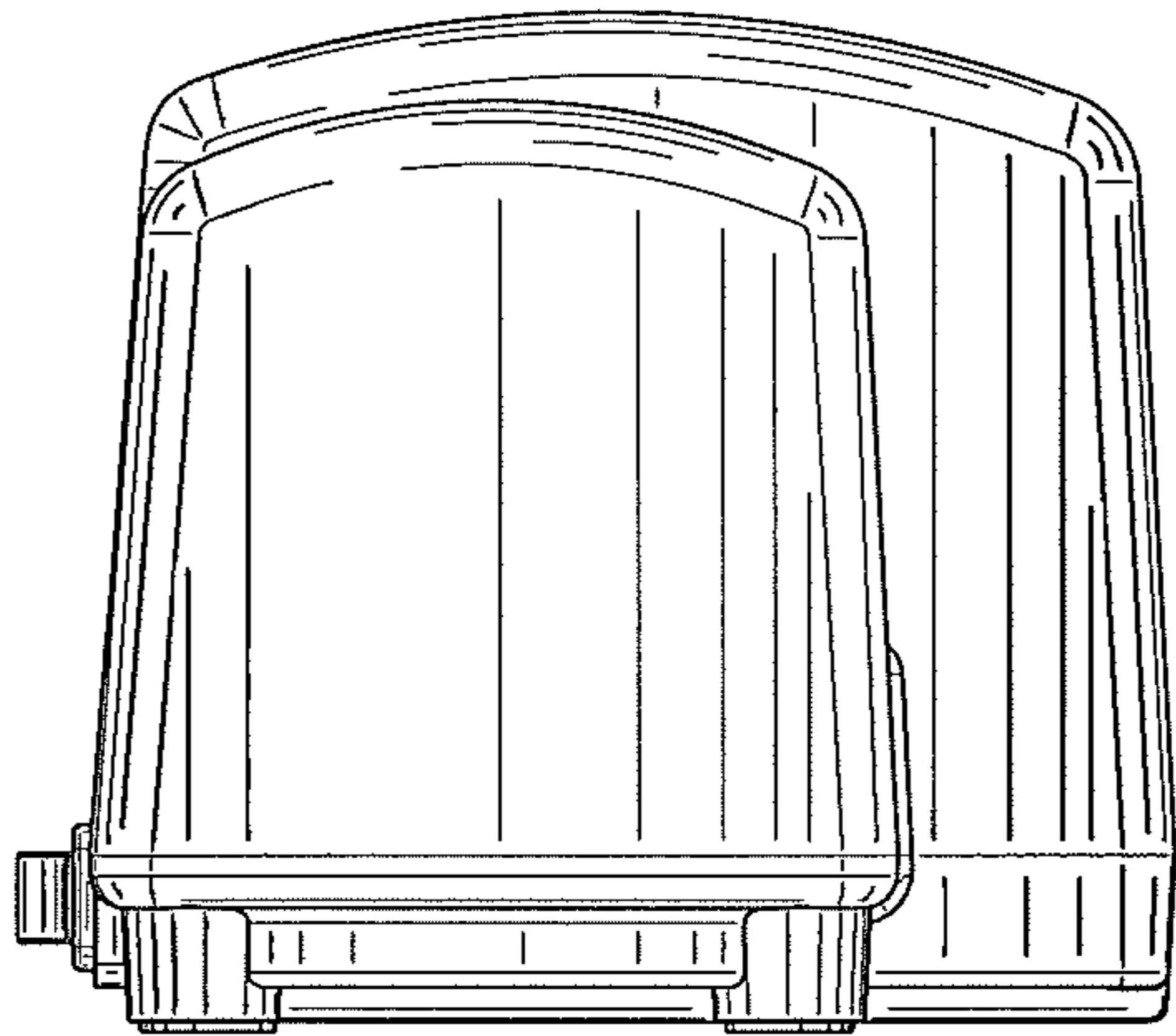


FIG. 5

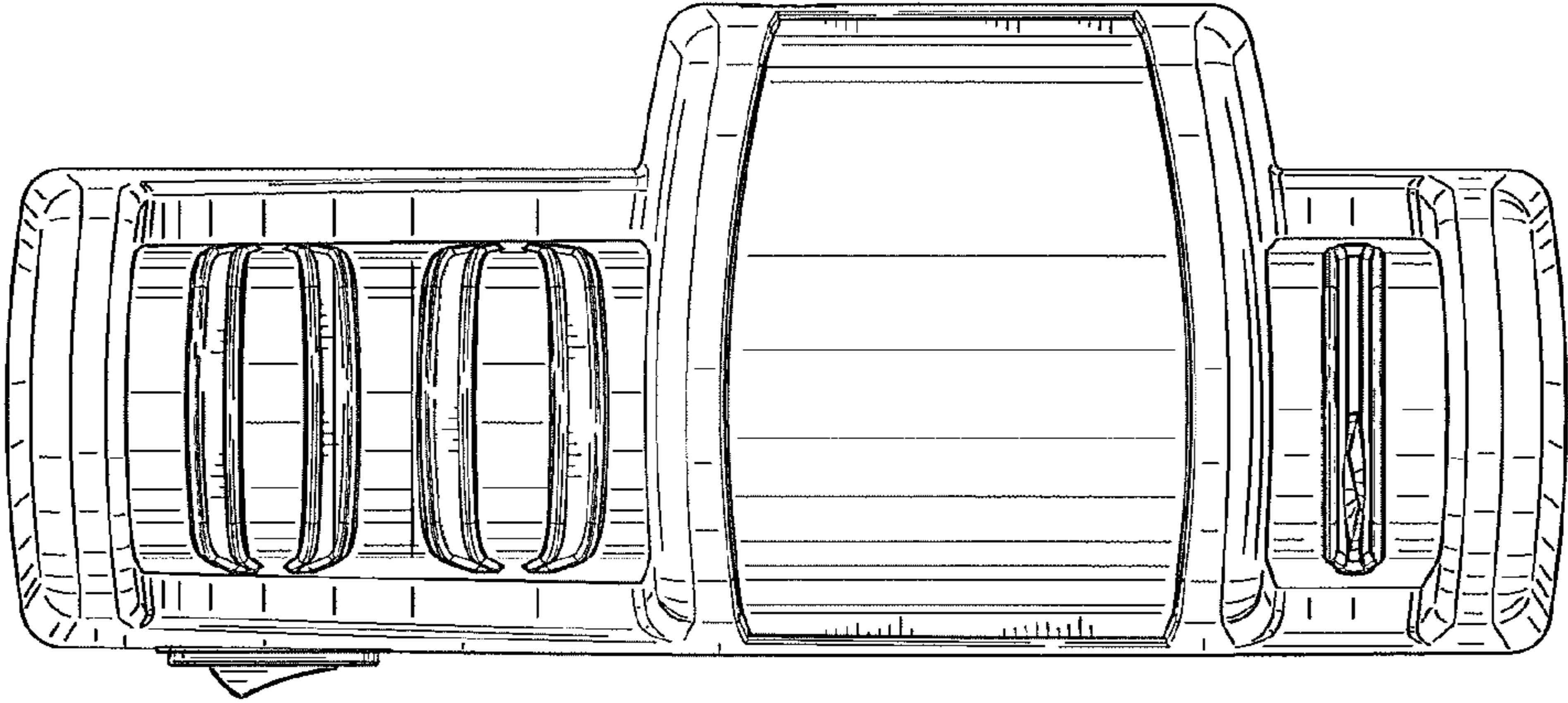


FIG. 6

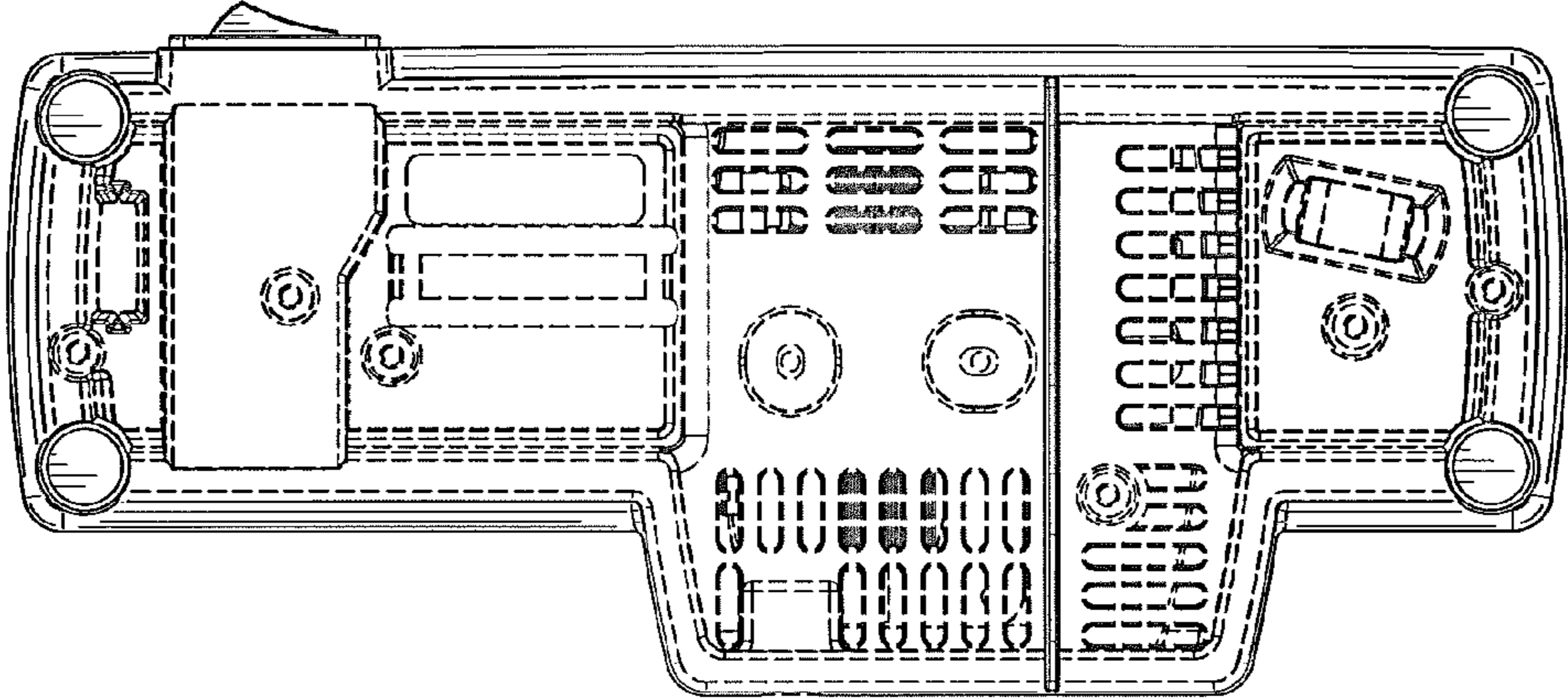


FIG. 7