



US00D699532S

(12) **United States Design Patent**  
**Liu**

(10) **Patent No.:** **US D699,532 S**

(45) **Date of Patent:** **\*\* Feb. 18, 2014**

(54) **SWITCHING MEMBER FOR A RATCHET TOOL**

(71) Applicant: **Chao-Chih Liu**, Taichung (TW)

(72) Inventor: **Chao-Chih Liu**, Taichung (TW)

(\*\*) Term: **14 Years**

(21) Appl. No.: **29/454,003**

(22) Filed: **May 5, 2013**

(51) **LOC (10) Cl.** ..... **08-05**

(52) **U.S. Cl.**  
USPC ..... **D8/25**

(58) **Field of Classification Search**  
USPC ..... D8/24, 25, 27, 28, 61, 62, 68;  
81/60-63.2; 16/110.1  
See application file for complete search history.

(56) **References Cited**

**U.S. PATENT DOCUMENTS**

6,044,731	A *	4/2000	Hsieh	81/63.2
6,260,448	B1 *	7/2001	Chaconas	81/63
6,457,387	B1 *	10/2002	Hu	81/63.2
6,460,431	B1 *	10/2002	Chen	81/63.2
6,955,104	B2 *	10/2005	Hu	81/63.2
7,278,339	B2 *	10/2007	Hu	81/63.2
7,328,633	B2 *	2/2008	Lin	81/63.1

7,895,921	B2 *	3/2011	Huang	81/63.1
7,975,574	B2 *	7/2011	Hu	81/63.1
8,210,073	B2 *	7/2012	Hu	81/63.1
8,297,152	B2 *	10/2012	Hu	81/63.1
2003/0177872	A1 *	9/2003	Shu-Ying et al.	81/63.2

\* cited by examiner

*Primary Examiner* — Randall Gholson

(57) **CLAIM**

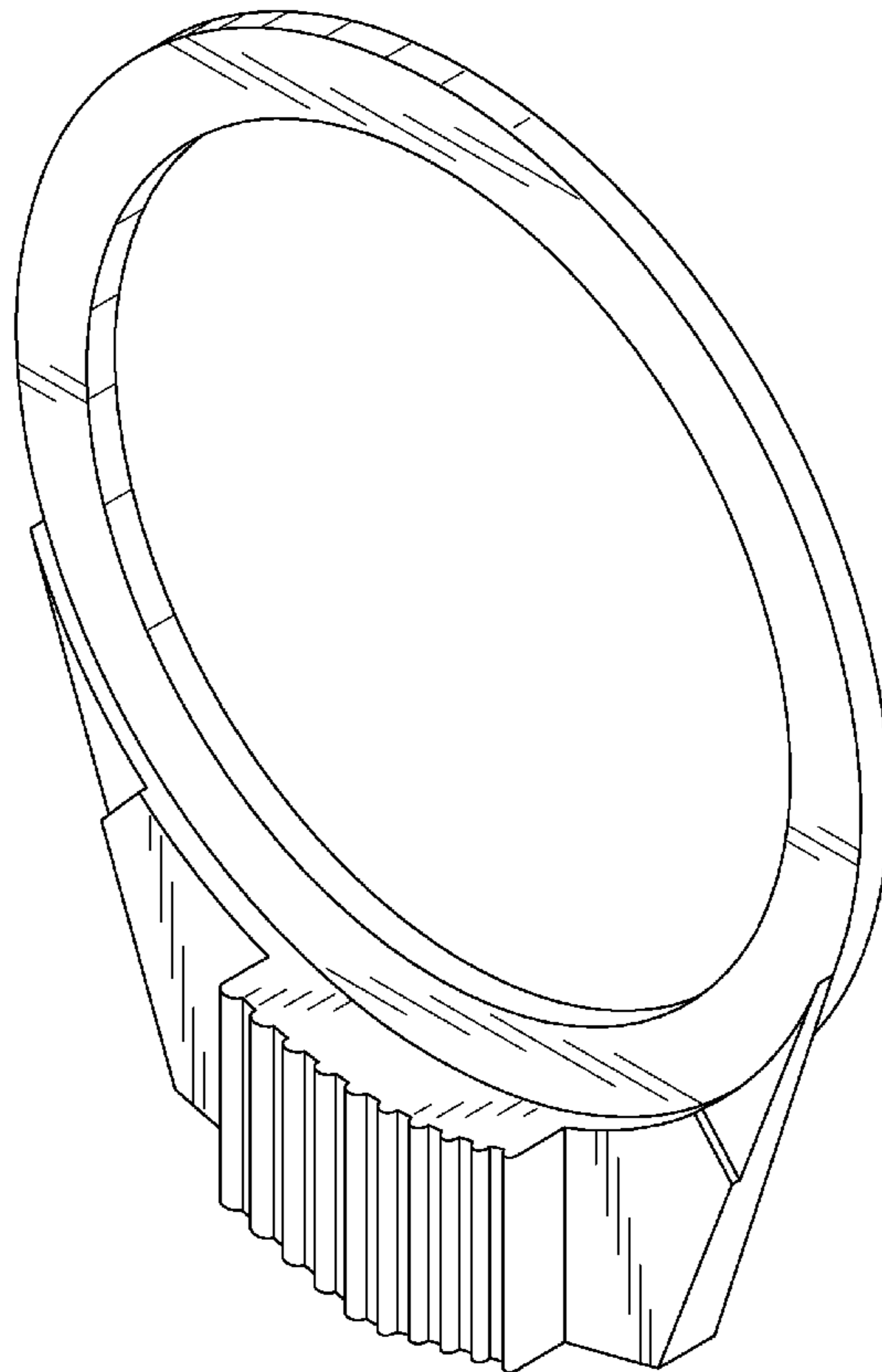
The ornamental design for a switching member for a ratchet tool, as shown and described.

**DESCRIPTION**

FIG. 1 is a perspective view of a switching member for a ratchet tool showing my new design; FIG. 2 is a front elevational view thereof; FIG. 3 is a rear elevational view thereof; FIG. 4 is a left side view thereof; FIG. 5 is a right side view thereof; FIG. 6 is a top plan view thereof; FIG. 7 is a bottom plan view thereof; and, FIG. 8 is a perspective view thereof showing the switching member for a ratchet tool assembled to a ratchet tool drawn in broken lines, the broken lines of which do not form a part of the claimed design.

The broken lines shown in the drawings illustrate the ratchet tool that forms no part of claimed design.

**1 Claim, 6 Drawing Sheets**



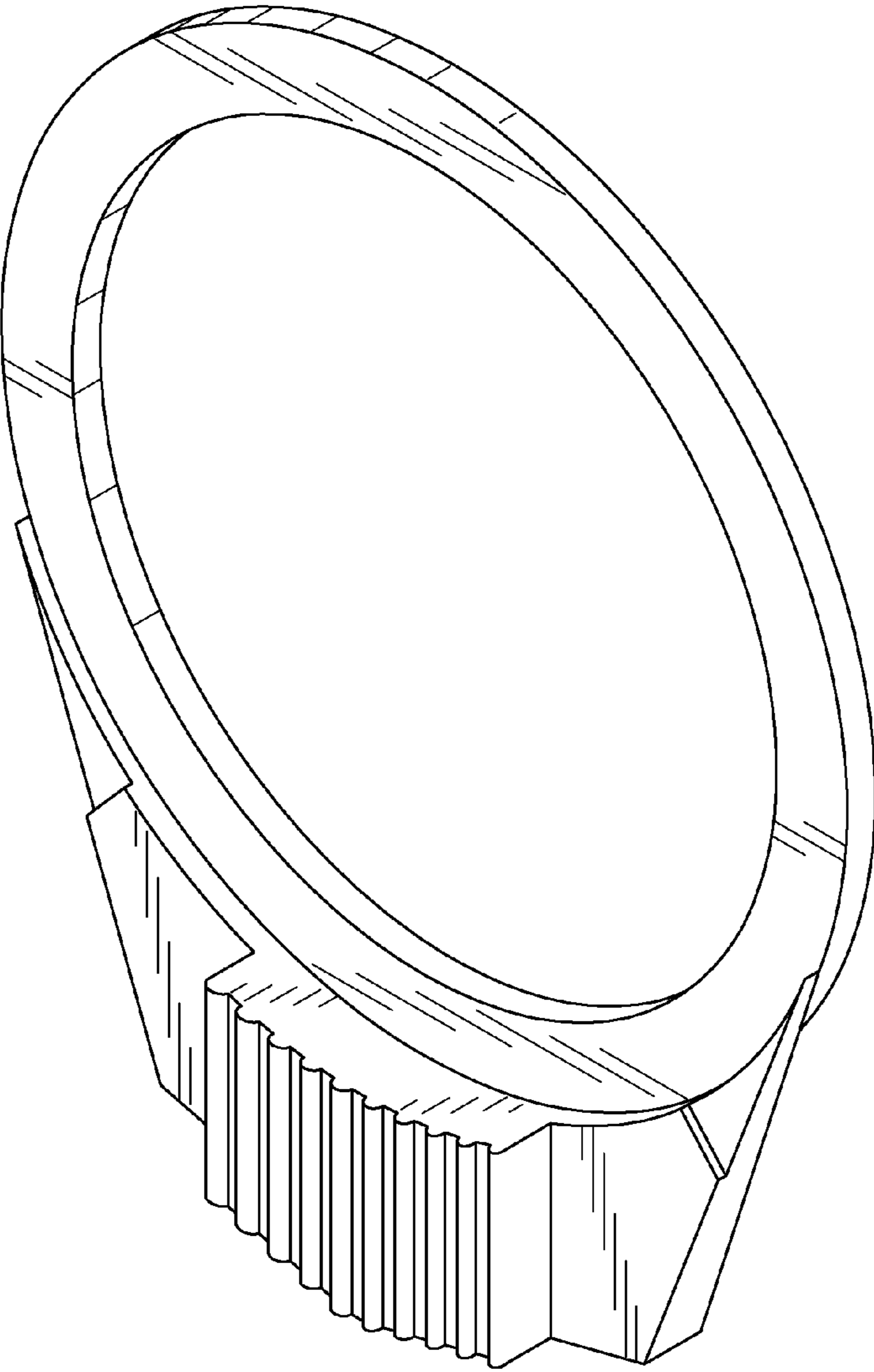


FIG.1

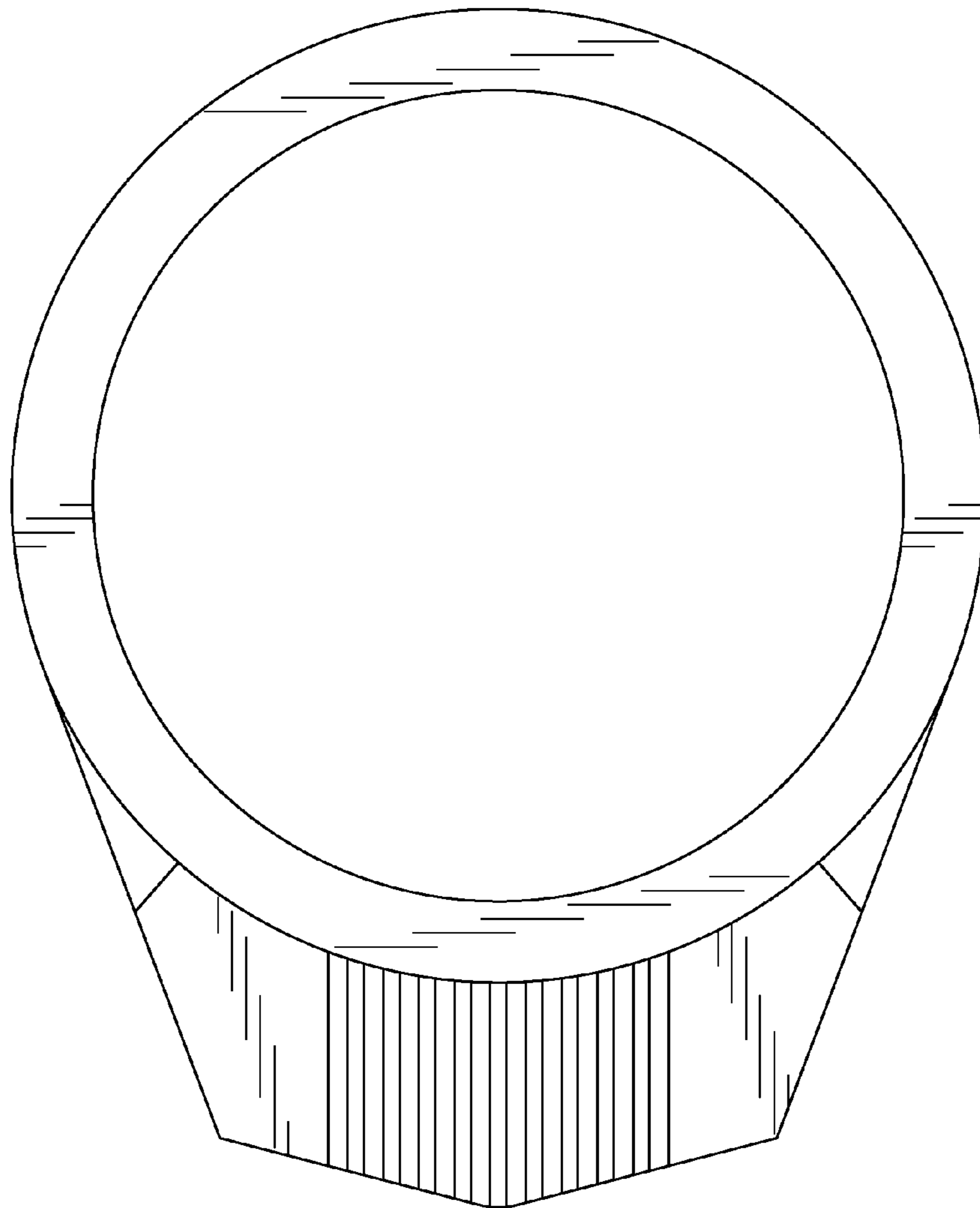


FIG.2

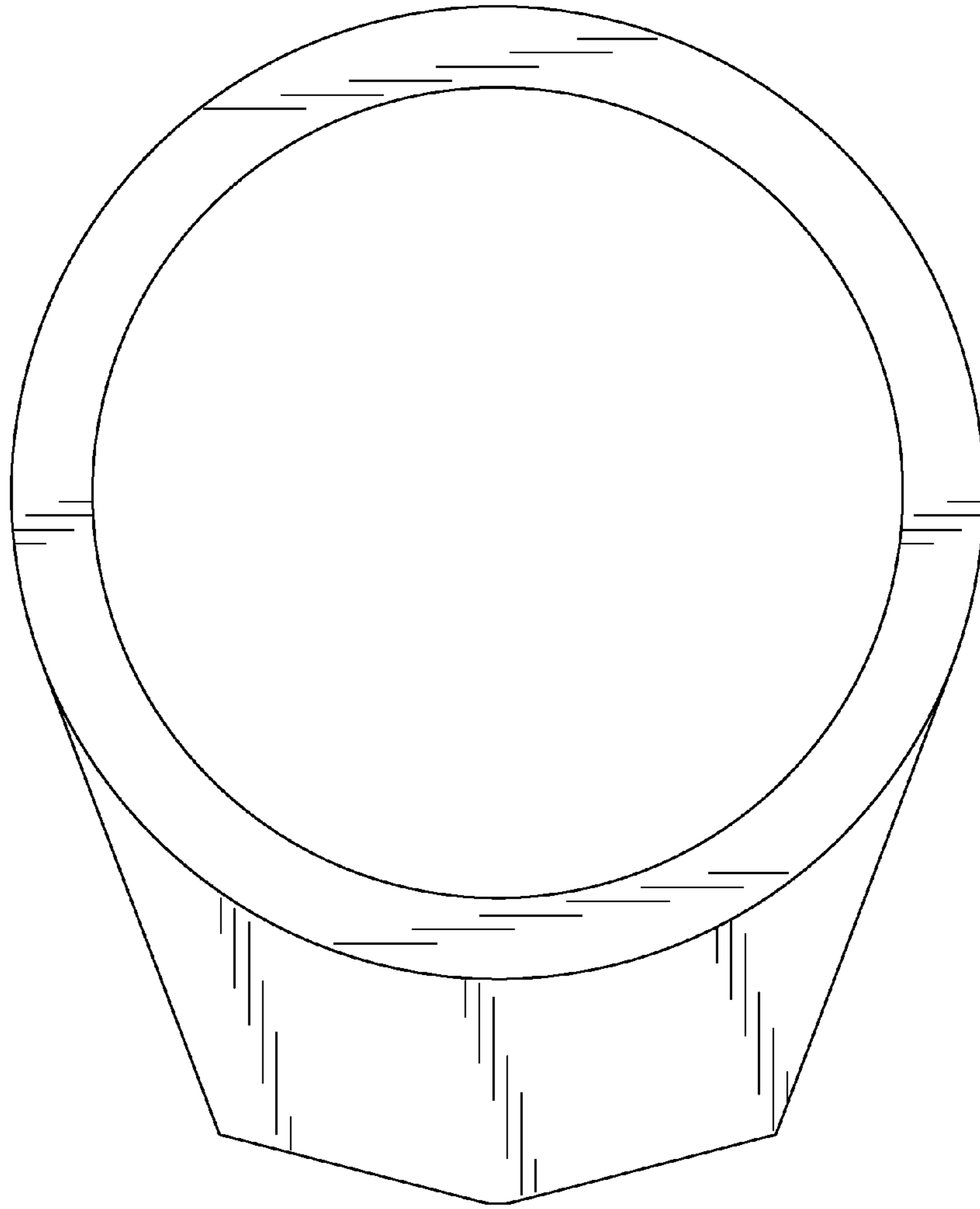


FIG.3

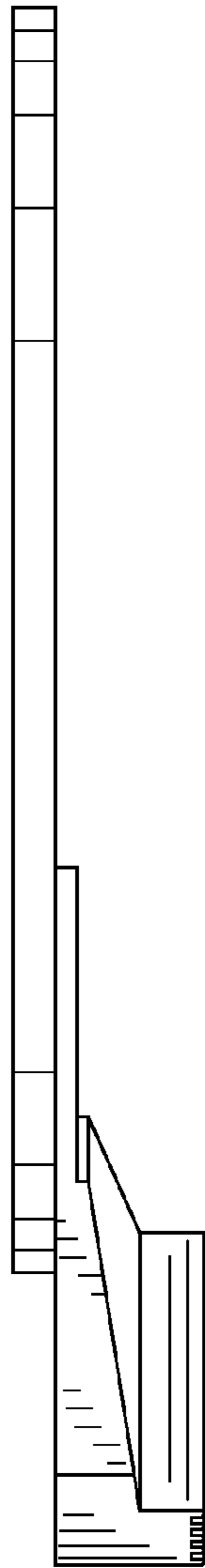


FIG.4

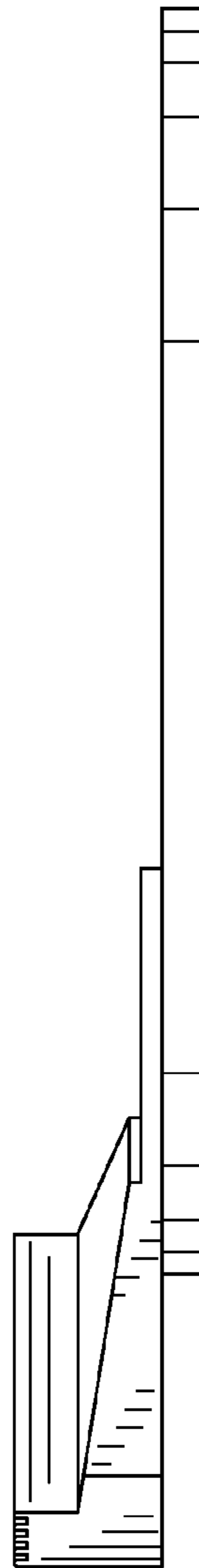


FIG.5

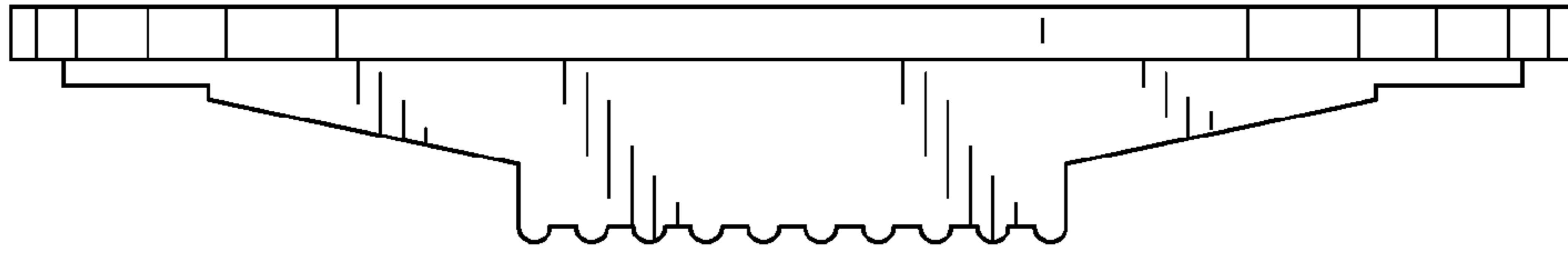


FIG. 6

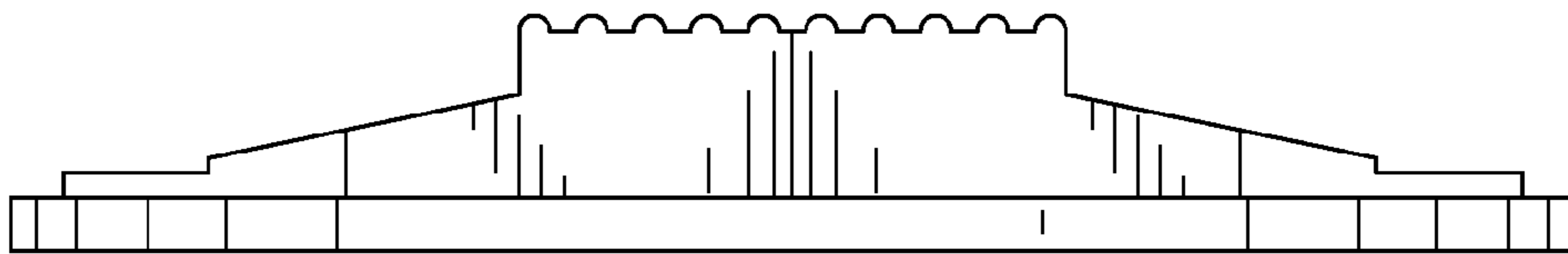


FIG. 7

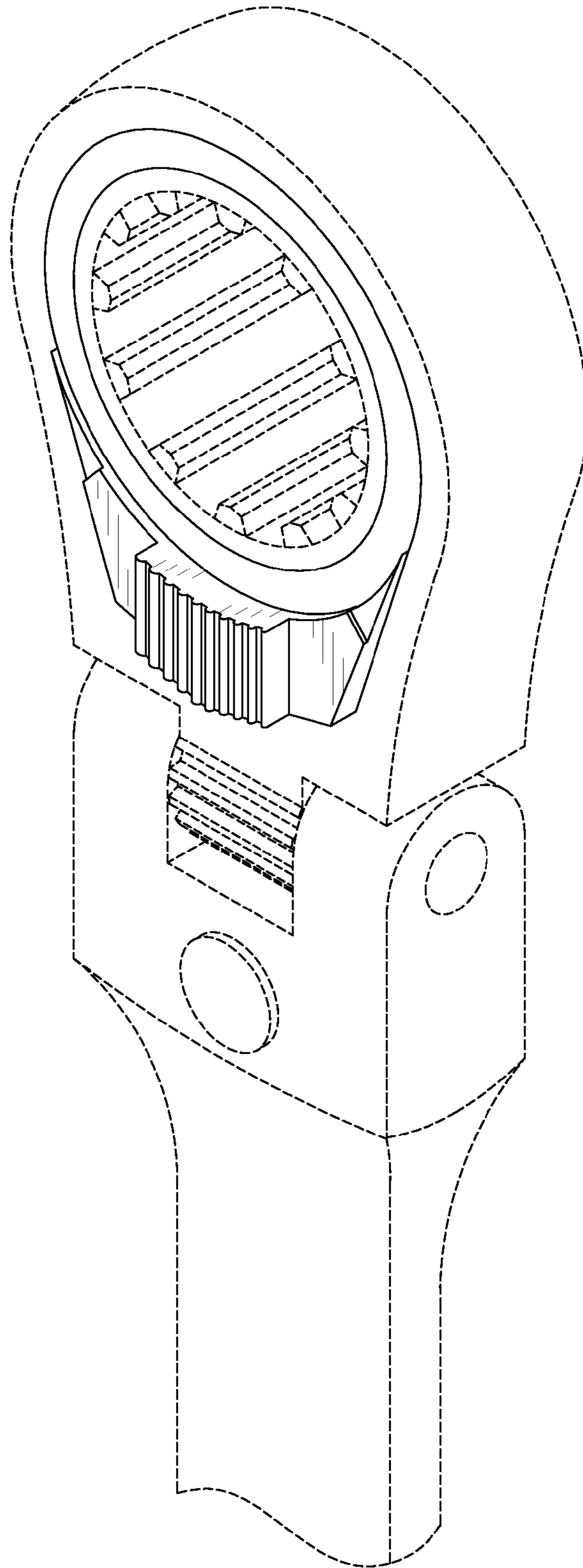


FIG.8