

US00D699531S

(12) **United States Design Patent**
Olson et al.

(10) **Patent No.:** **US D699,531 S**

(45) **Date of Patent:** **** Feb. 18, 2014**

(54) **TORQUE WRENCH**

- (71) Applicant: **Snap-on Incorporated**, Kenosha, WI (US)
- (72) Inventors: **Jonathan J. Olson**, Long Beach, CA (US); **Nathan J. Lee**, Escondido, CA (US); **De L. San**, La Verne, CA (US); **Jie Li**, Rancho Santa Margarita, CA (US)
- (73) Assignee: **Snap-on Incorporated**, Kenosha, WI (US)

(**) Term: **14 Years**

(21) Appl. No.: **29/454,441**

(22) Filed: **May 10, 2013**

(51) **LOC (10) Cl.** **08-05**

(52) **U.S. Cl.**
USPC **D8/24**

(58) **Field of Classification Search**
USPC D8/24, 25, 107, 61; 73/862.22, 862.23, 73/862.331, 862.21, 962.335; 81/467, 81/469, 479, 480-483, 57, 39; 464/25, 35

See application file for complete search history.

(56) **References Cited**

U.S. PATENT DOCUMENTS

D497,294	S	*	10/2004	Becker et al.	D8/25
7,047,849	B2	*	5/2006	Lai	81/479
D530,166	S	*	10/2006	Becker et al.	D8/24
D575,603	S	*	8/2008	Shiao	D8/24
D580,720	S	*	11/2008	Shiao	D8/24
D586,193	S	*	2/2009	Escoe et al.	D8/24
D605,482	S	*	12/2009	Jenkins	D8/24
D687,688	S	*	8/2013	Hsieh	D8/24
2005/0072278	A1	*	4/2005	Cutler et al.	81/467
2007/0119269	A1	*	5/2007	Anjanappa et al.	73/862.21
2008/0168871	A1	*	7/2008	Gharib et al.	81/479

* cited by examiner

Primary Examiner — Randall Gholson
(74) *Attorney, Agent, or Firm* — Seyfarth Shaw LLP

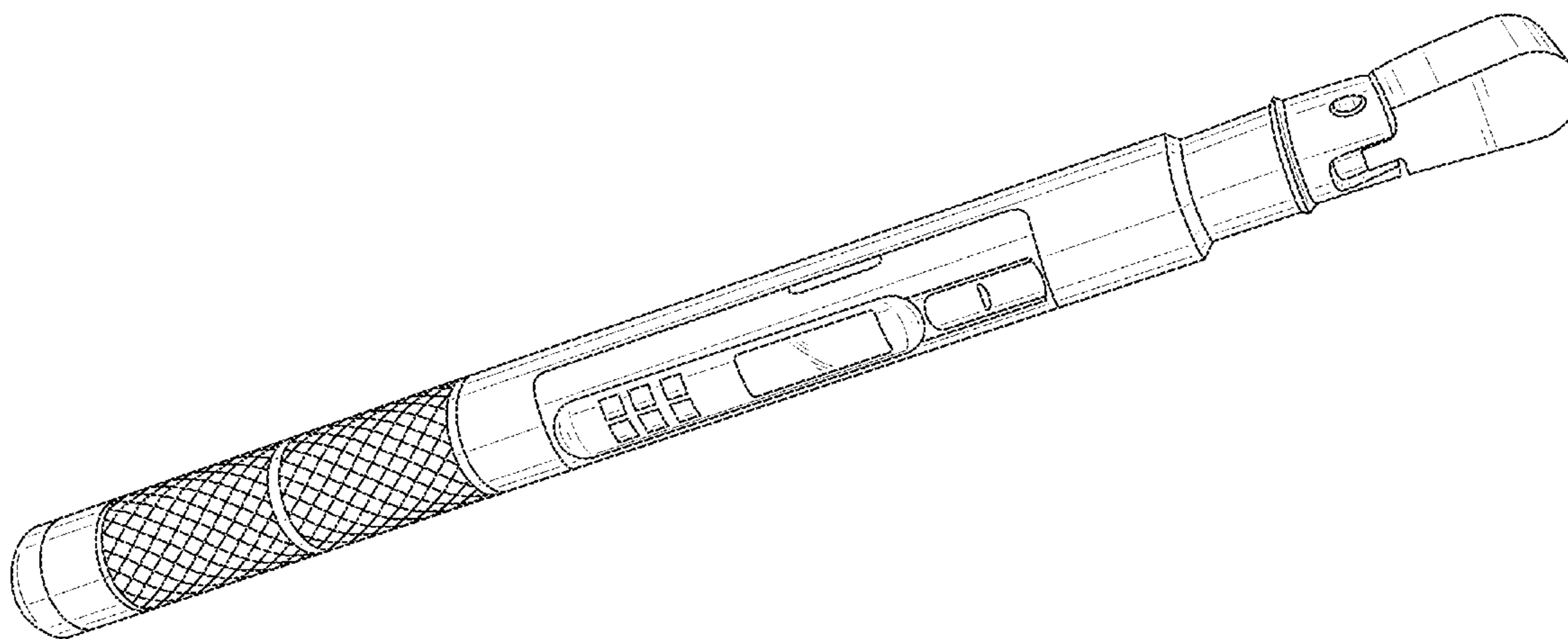
(57) **CLAIM**

The ornamental design for a torque wrench, as shown and described.

DESCRIPTION

FIG. 1 is a perspective side view of a torque wrench showing our new design;
FIG. 2 is a front view thereof;
FIG. 3 is a rear view thereof.
FIG. 4 is a left side view thereof;
FIG. 5 is a right side view thereof;
FIG. 6 is a top view thereof; and,
FIG. 7 is a bottom view thereof.

1 Claim, 4 Drawing Sheets



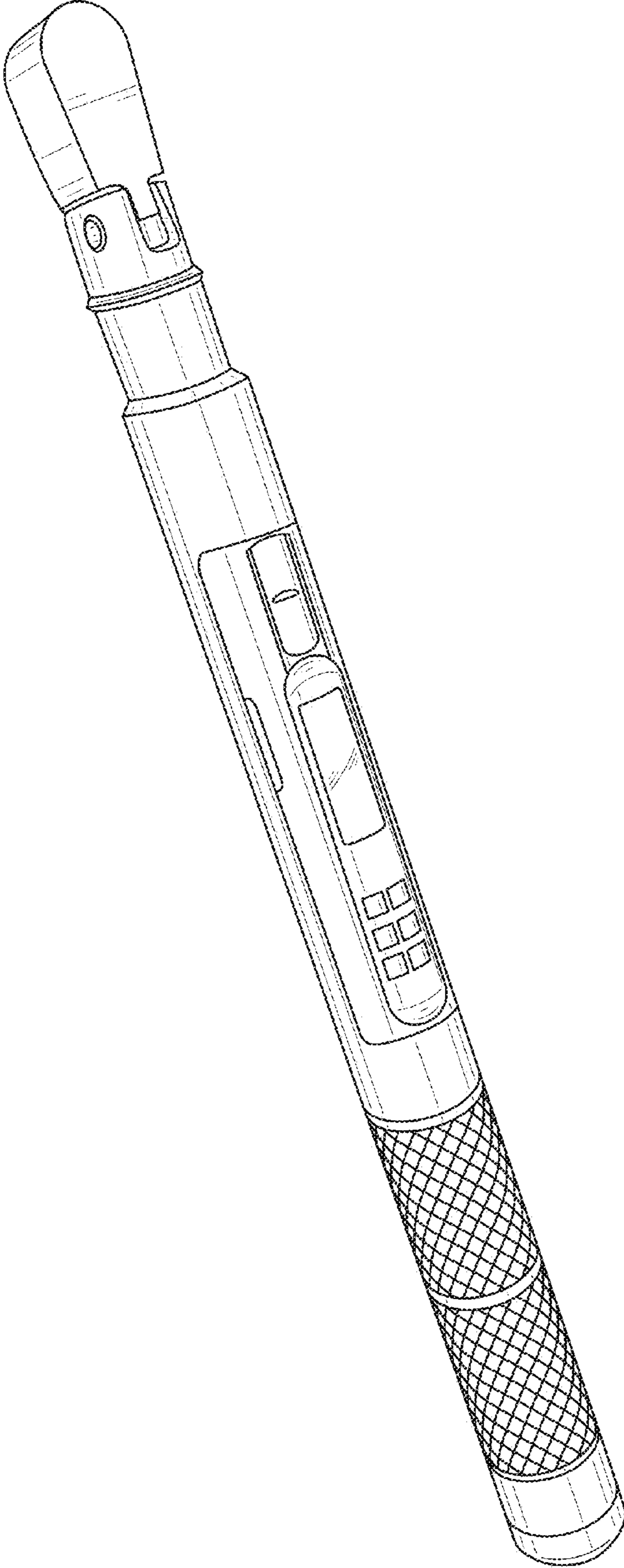


FIG. 1

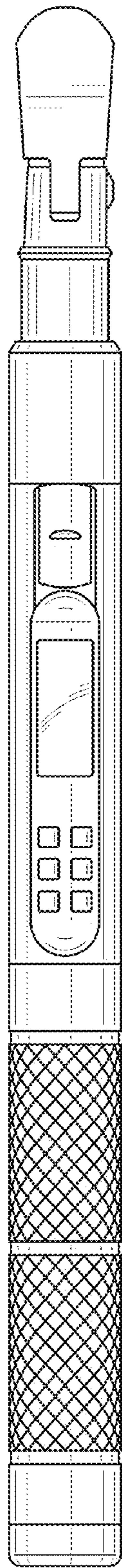


FIG. 2

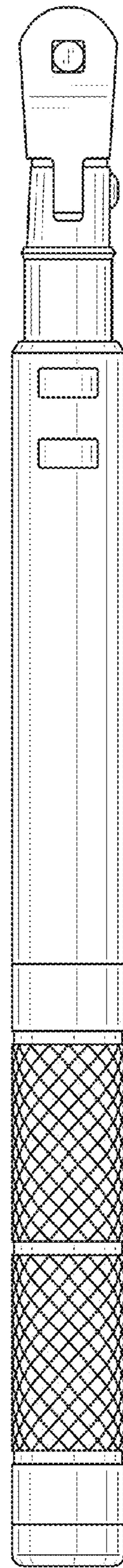


FIG. 3

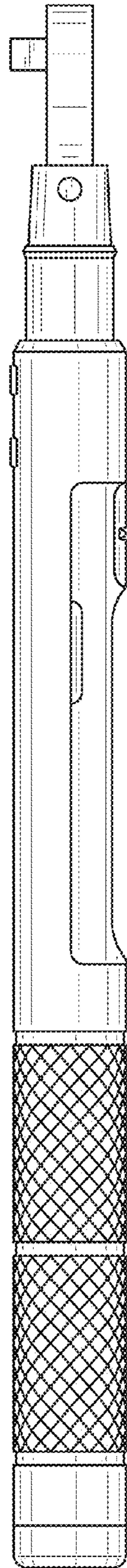


FIG. 4

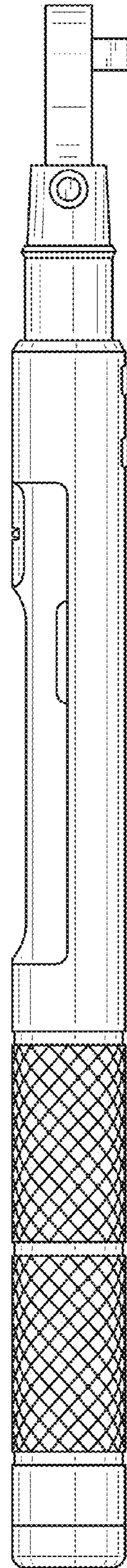


FIG. 5

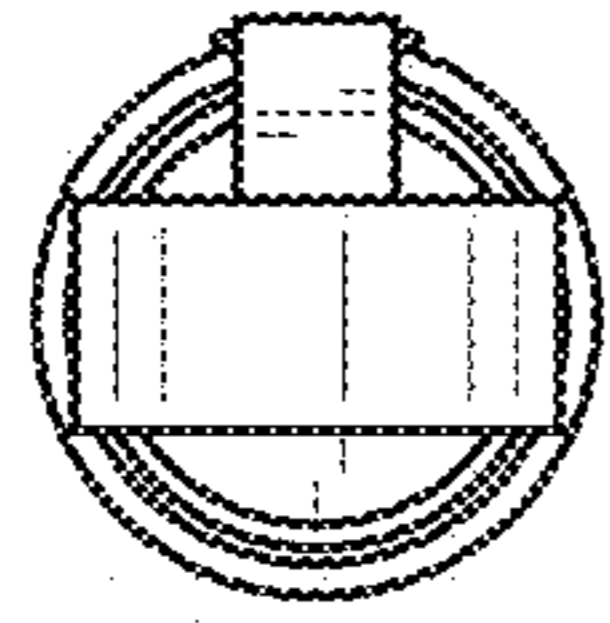


FIG. 6

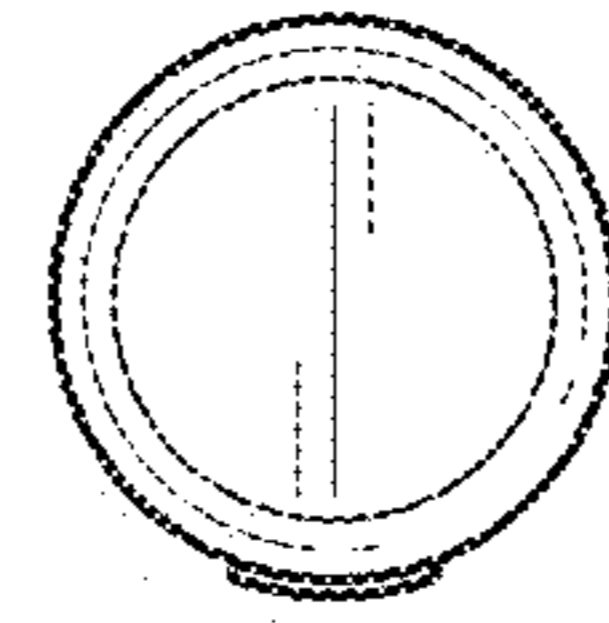


FIG. 7