

US00D699530S

(12) **United States Design Patent**
Hung et al.

(10) **Patent No.:** **US D699,530 S**

(45) **Date of Patent:** **** Feb. 18, 2014**

(54) **METAL SHOVEL BLADE**

(71) Applicant: **Ames True Temper, Inc.**, Camp Hill, PA (US)

(72) Inventors: **Chun Wai Hung**, Dills, PA (US); **Barry Albert**, Dillsburg, PA (US)

(73) Assignee: **Ames True Temper, Inc.**, Camp Hill, PA (US)

(**) Term: **14 Years**

(21) Appl. No.: **29/455,329**

(22) Filed: **May 20, 2013**

(51) **LOC (10) Cl.** **08-01**

(52) **U.S. Cl.**
USPC **D8/10**

(58) **Field of Classification Search**
USPC D8/7, 10; 294/49, 53.5, 54.5, 57, 55.5,
294/51, 56, 58; 56/400.01, 400.14;
172/371-372

See application file for complete search history.

(56) **References Cited**

U.S. PATENT DOCUMENTS

3,078,604	A *	2/1963	Neuman	294/54.5
D375,882	S	11/1996	Ritchie et al.		
D381,375	S	7/1997	Spear et al.		
D397,005	S *	8/1998	Whitehead et al.	D8/10
D398,201	S	9/1998	Yacobi et al.		
5,951,078	A *	9/1999	Whitehead et al.	294/54.5
D417,826	S	12/1999	Yacobi et al.		
D433,889	S	11/2000	Spear		

D434,287	S	11/2000	Spear		
D546,644	S *	7/2007	Rosine et al.	D8/10
D553,920	S *	10/2007	Rosine et al.	D8/10

OTHER PUBLICATIONS

Ames True Temper, Lawn and Garden Tools—Since 1774, “Winter Tool Catalog,” 2005, 10 pages.

Ames True Temper, Innovative Landscape Products Since 1774, “Full Line Catalog,” 2007, 5 pages.

* cited by examiner

Primary Examiner — Sheryl Lane

(74) *Attorney, Agent, or Firm* — Eckert Seamans Cherin & Mellott, LLC; David C. Jenkins

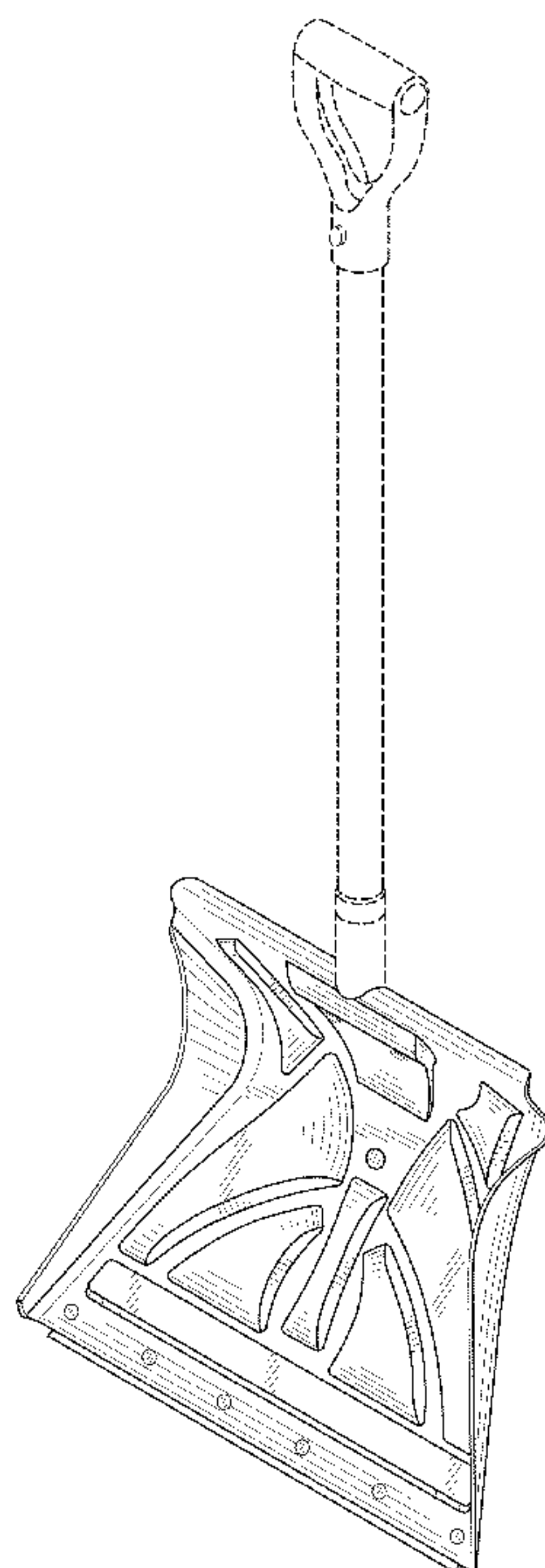
(57) **CLAIM**

The ornamental design for a metal shovel blade, as shown and described.

DESCRIPTION

FIG. 1 is an isometric view of the metal shovel blade; FIG. 2 is a top view of the metal shovel blade; FIG. 3 is a bottom view of the metal shovel blade; FIG. 4 is a left view of the metal shovel blade; FIG. 5 is a right view of the metal shovel blade; FIG. 6 is a back view of the metal shovel blade; FIG. 7 is a front view of the metal shovel blade; and, FIG. 8 is another isometric view of the metal shovel blade. The broken lines in the drawings depict environmental subject matter only and form no part of the claimed design.

1 Claim, 6 Drawing Sheets



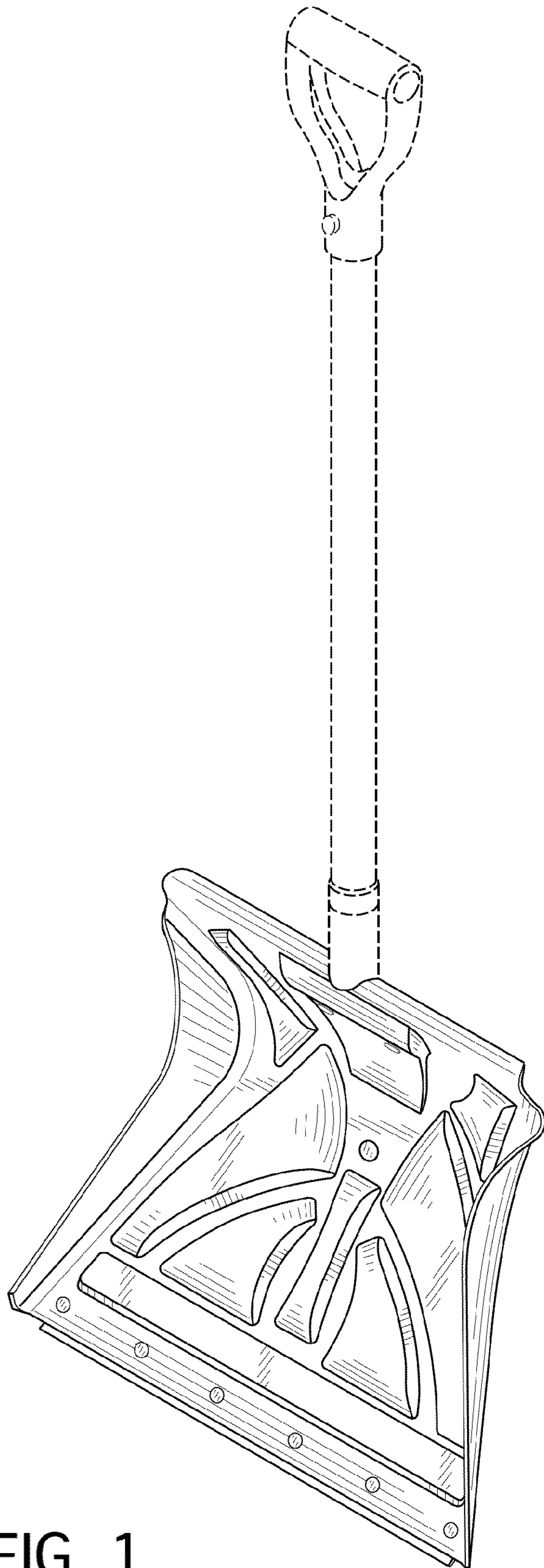


FIG. 1

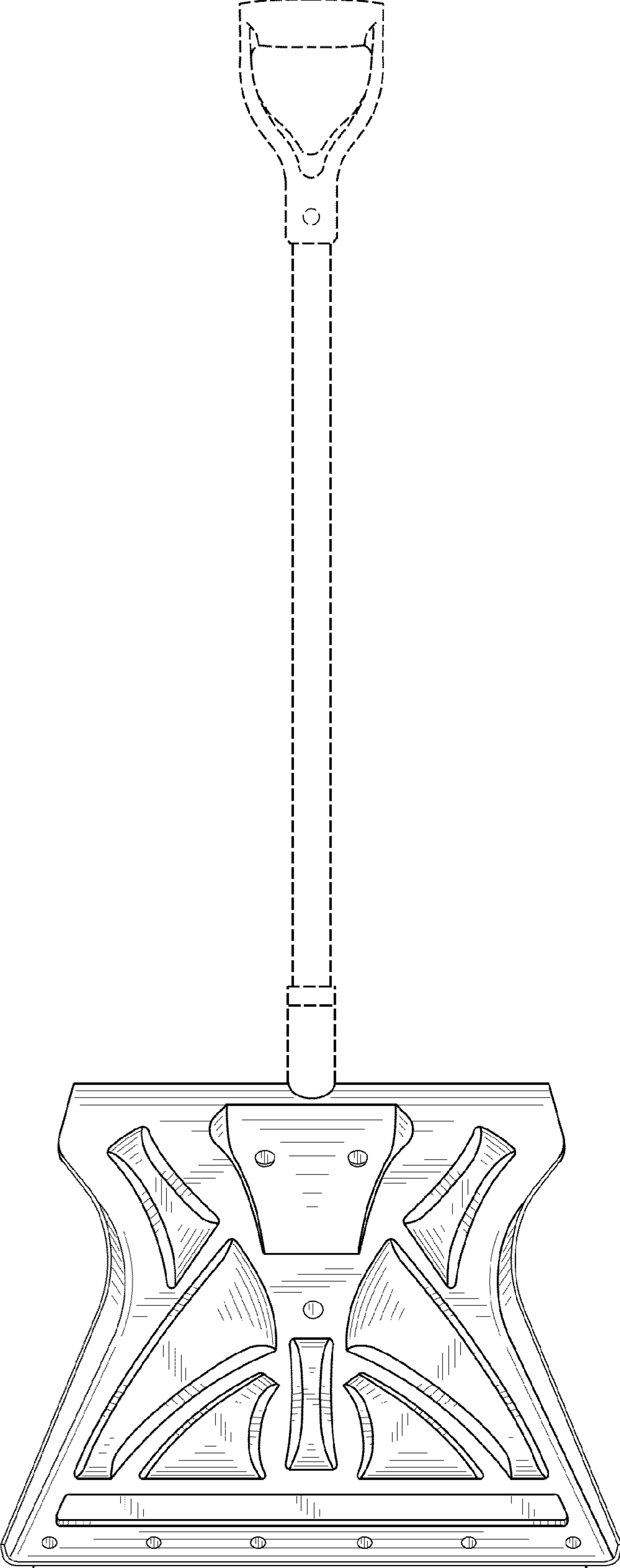


FIG. 2

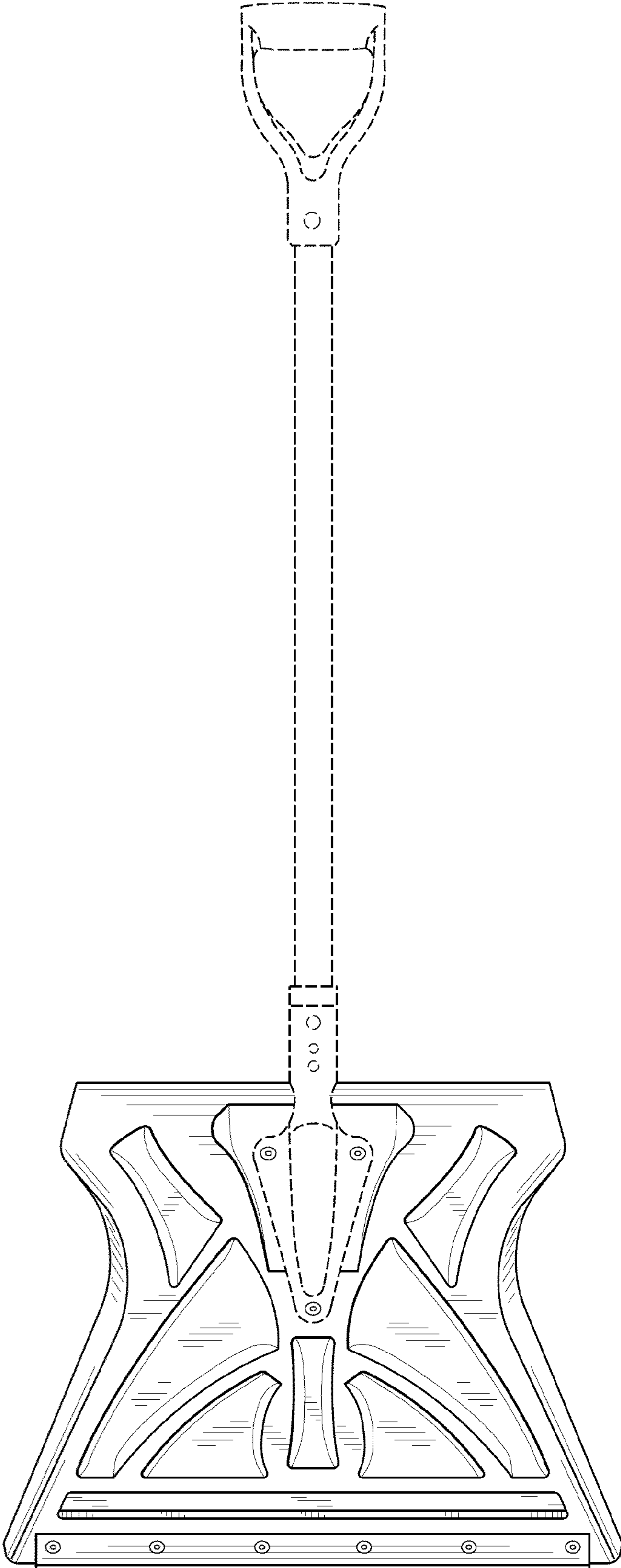


FIG. 3

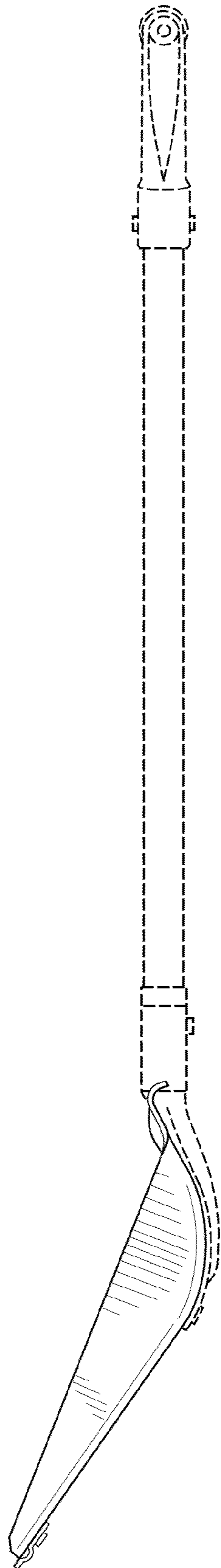


FIG. 4

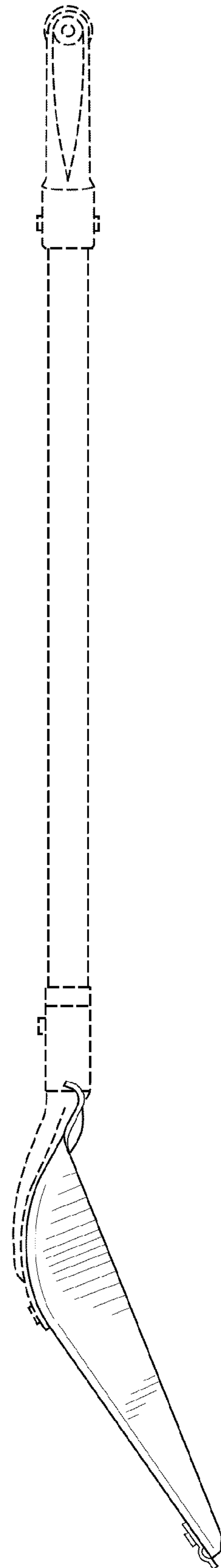


FIG. 5

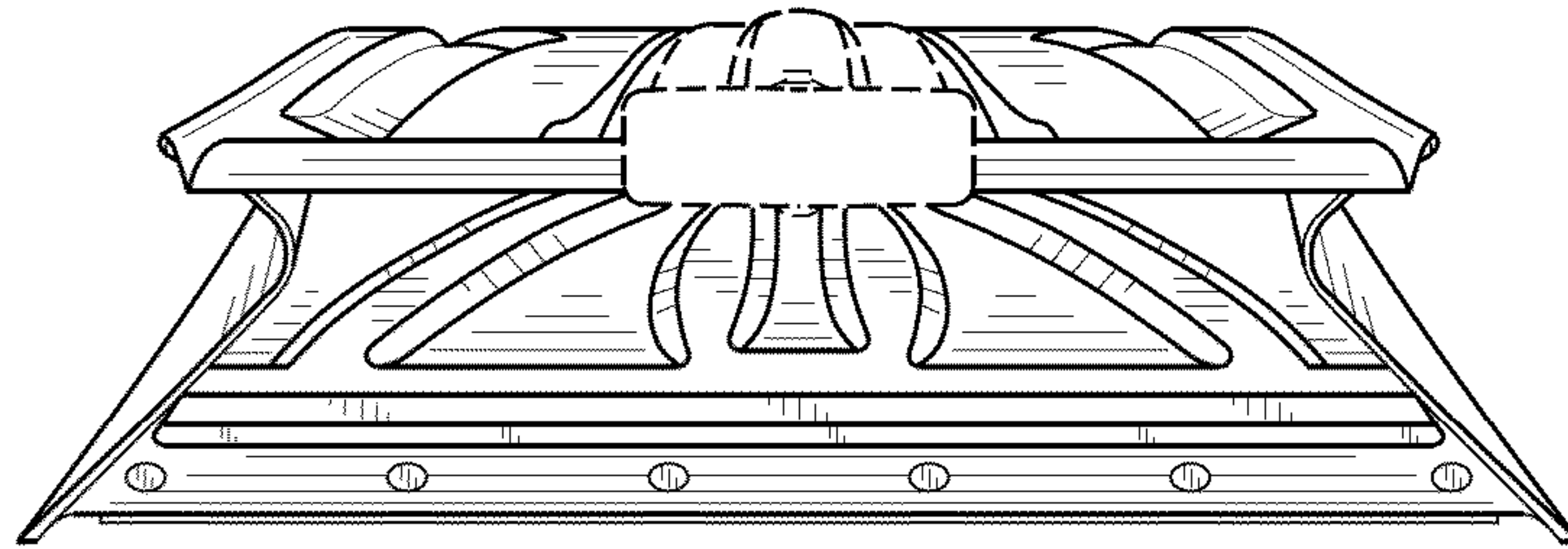


FIG. 6

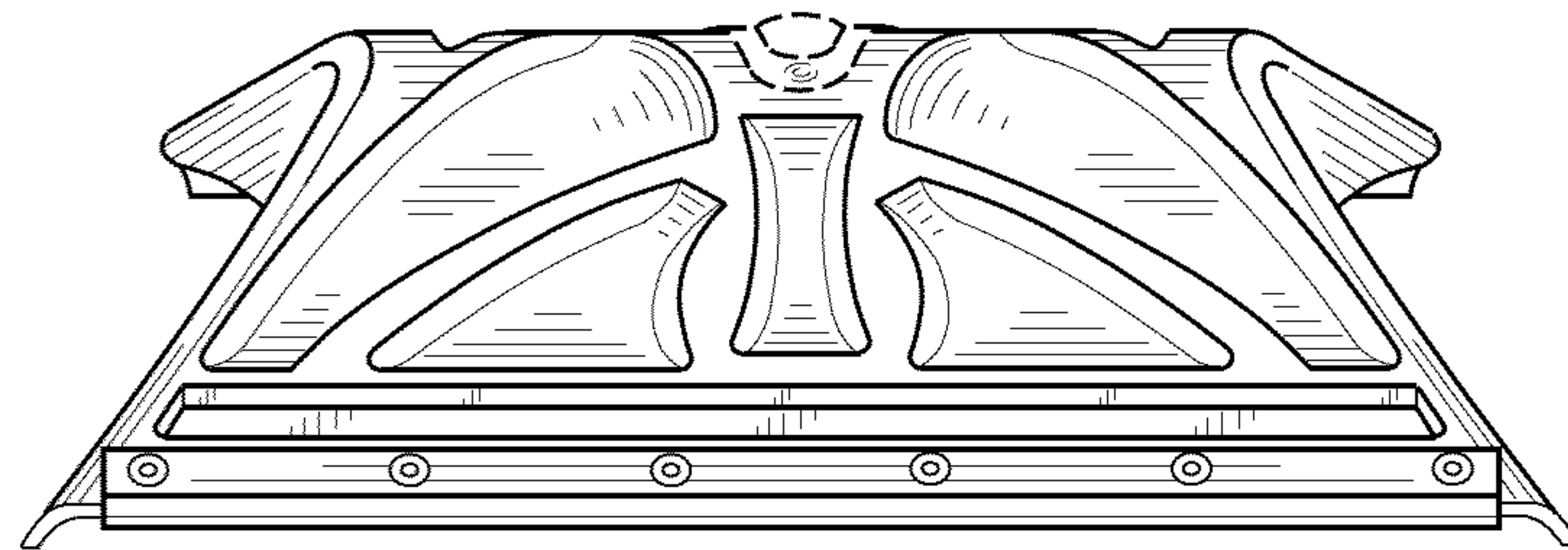


FIG. 7

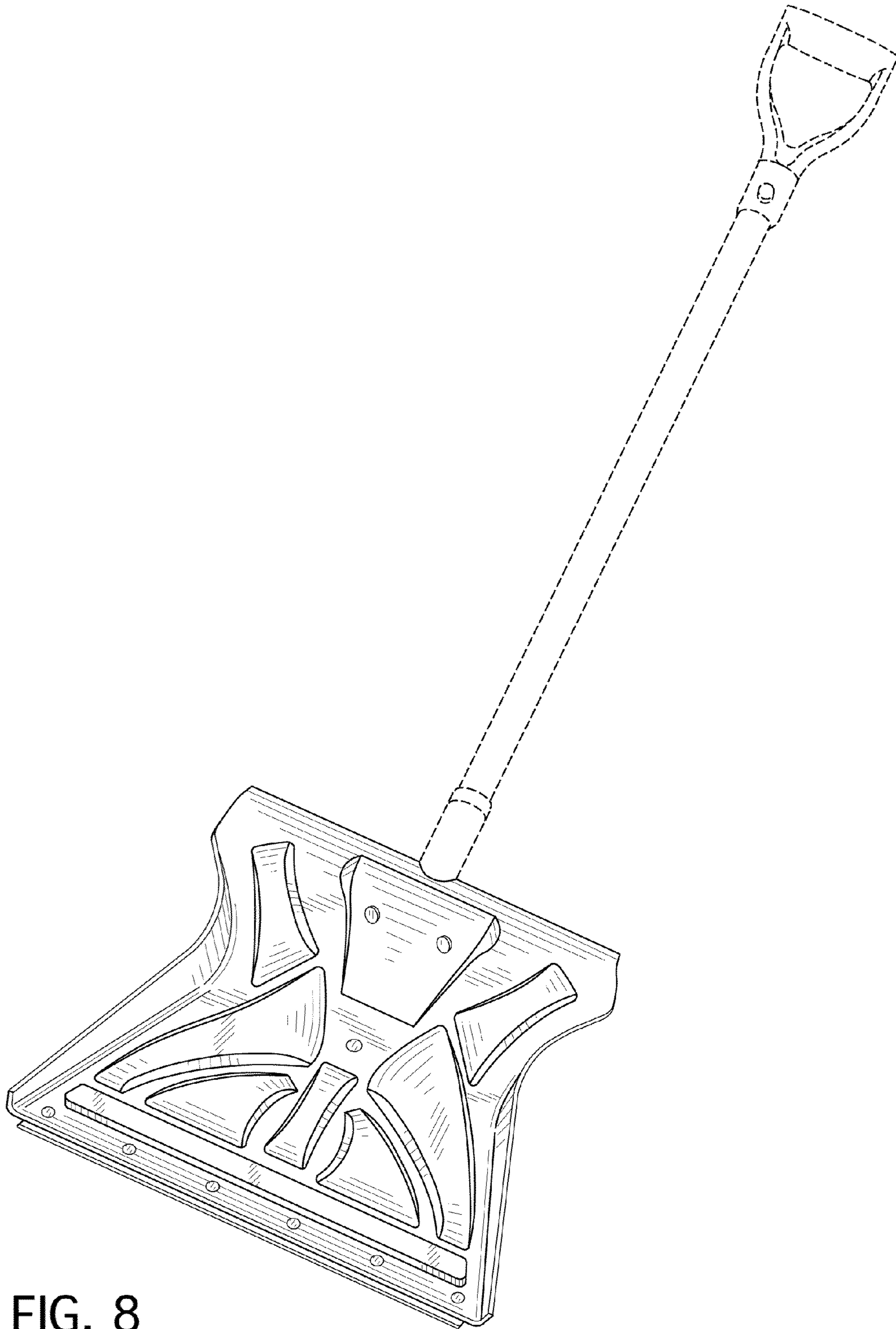


FIG. 8

UNITED STATES PATENT AND TRADEMARK OFFICE
CERTIFICATE OF CORRECTION

PATENT NO. : D699,530 S
APPLICATION NO. : 29/455329
DATED : February 18, 2014
INVENTOR(S) : Chun Wai Hung et al.

Page 1 of 8

It is certified that error appears in the above-identified patent and that said Letters Patent is hereby corrected as shown below:

On the Title page,

Delete title pg. w/illustrative Fig. and replace with new title pg. w/illustrative Fig. (attached)

Item (72) Inventors:, "Chun Wai Hung, Dills, PA (US);" should read --Chun Wai Hung, Dillsburg, PA (US);--.

In the Drawings,

Delete drawing sheets 1-6, and replace with new clearer drawing sheets 1-6. (attached)

Signed and Sealed this
Fourth Day of August, 2015



Michelle K. Lee
Director of the United States Patent and Trademark Office

(12) **United States Design Patent**
Hung et al.

(10) **Patent No.:** **US D699,530 S**

(45) **Date of Patent:** **** Feb. 18, 2014**

(54) **METAL SHOVEL BLADE**
 (71) Applicant: **Ames True Temper, Inc., Camp Hill, PA (US)**

D434,287 S 11/2000 Spear
 D546,644 S * 7/2007 Rosine et al. D8/10
 D553,920 S * 10/2007 Rosine et al. D8/10

OTHER PUBLICATIONS

(72) Inventors: **Chun Wai Hung, Dills, PA (US); Barry Albert, Dillsburg, PA (US)**
 (73) Assignee: **Ames True Temper, Inc., Camp Hill, PA (US)**

Ames True Temper, Lawn and Garden Tools—Since 1774, "Winter Tool Catalog," 2005, 10 pages.
 Ames True Temper, Innovative Landscape Products Since 1774, "Full Line Catalog," 2007, 5 pages.

(**) Term: **14 Years**

* cited by examiner

(21) Appl. No.: **29/455,329**

Primary Examiner — Sheryl Lane

(22) Filed: **May 20, 2013**

(74) Attorney, Agent, or Firm — Eckert Seamans Cherin & Mellott, LLC; David C. Jenkins

(51) LOC (10) CL **08-01**

(52) U.S. Cl.
 USPC **D8/10**

(57) **CLAIM**

The ornamental design for a metal shovel blade, as shown and described.

(58) Field of Classification Search
 USPC **D8/7, 10; 294/49, 53.5, 54.5, 57, 55.5, 294/51, 56, 58; 56/400.01, 400.14; 172/371-372**

DESCRIPTION

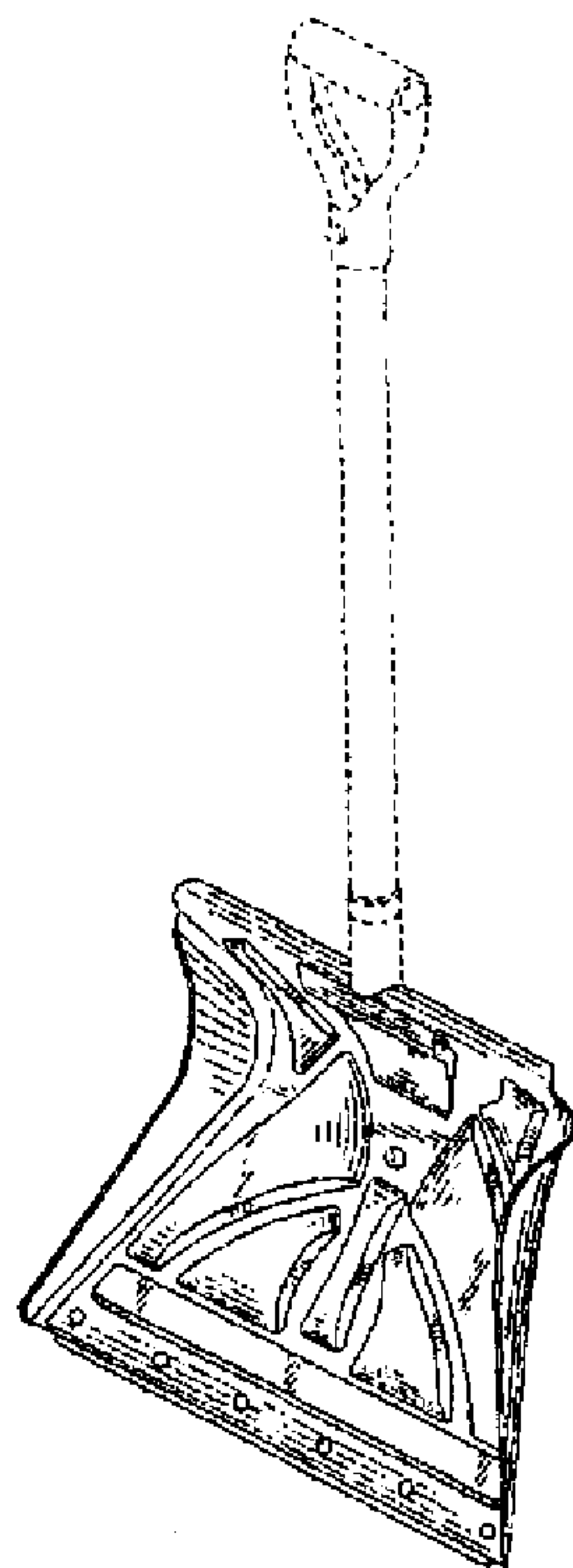
See application file for complete search history.

FIG. 1 is an isometric view of the metal shovel blade;
 FIG. 2 is a top view of the metal shovel blade;
 FIG. 3 is a bottom view of the metal shovel blade;
 FIG. 4 is a left view of the metal shovel blade;
 FIG. 5 is a right view of the metal shovel blade;
 FIG. 6 is a back view of the metal shovel blade;
 FIG. 7 is a front view of the metal shovel blade; and,
 FIG. 8 is another isometric view of the metal shovel blade.
 The broken lines in the drawings depict environmental subject matter only and form no part of the claimed design.

(56) **References Cited**
U.S. PATENT DOCUMENTS

3,078,604 A *	2/1963	Neuman	294/54.5
D375,882 S	11/1996	Ritchie et al.	
D381,375 S	7/1997	Spear et al.	
D397,005 S *	8/1998	Whitehead et al.	D8/10
D398,201 S	9/1998	Yacobi et al.	
5,951,078 A *	9/1999	Whitehead et al.	294/54.5
D417,826 S	12/1999	Yacobi et al.	
D433,889 S	11/2000	Spear	

1 Claim, 6 Drawing Sheets



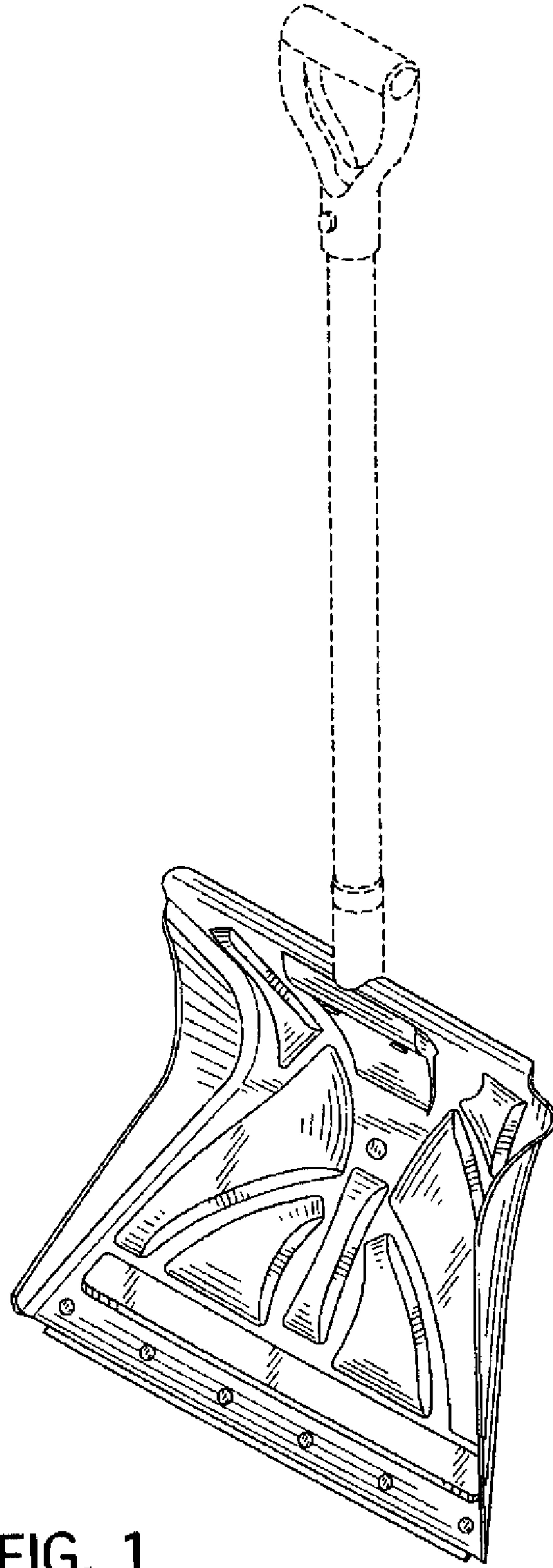


FIG. 1

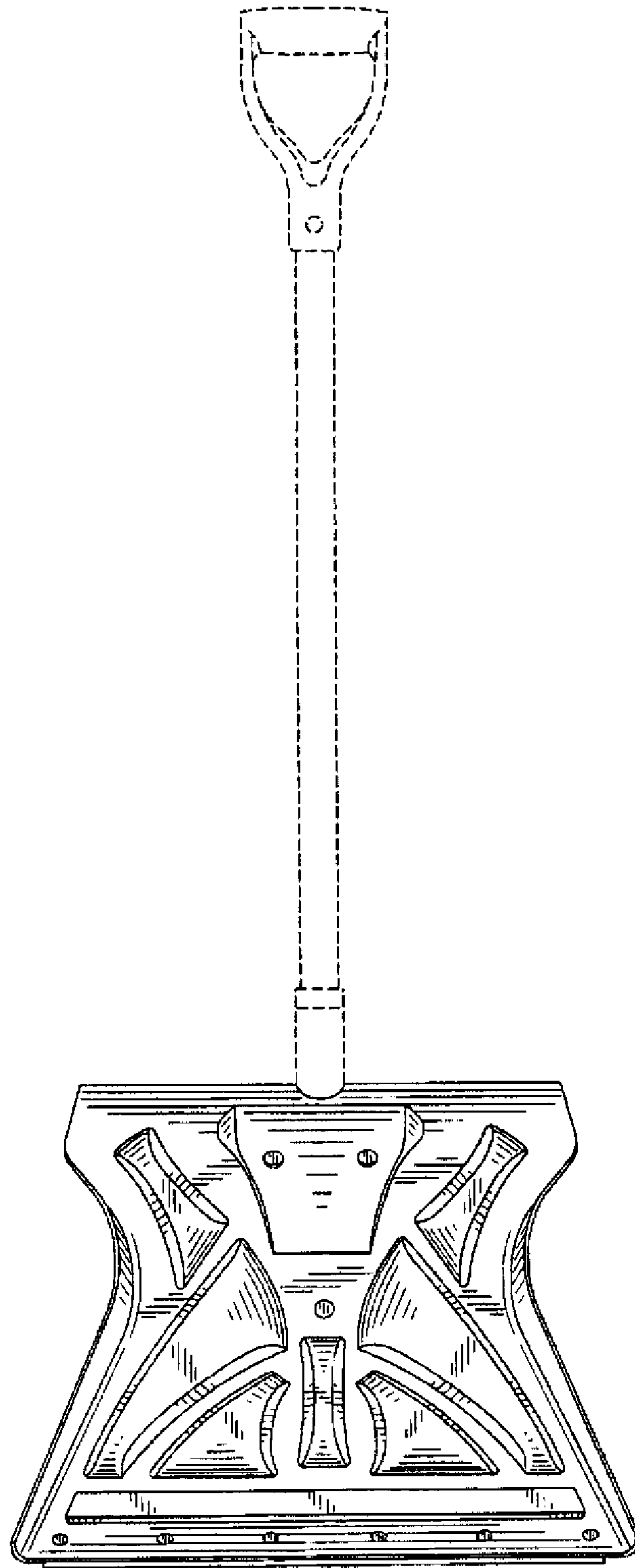


FIG. 2

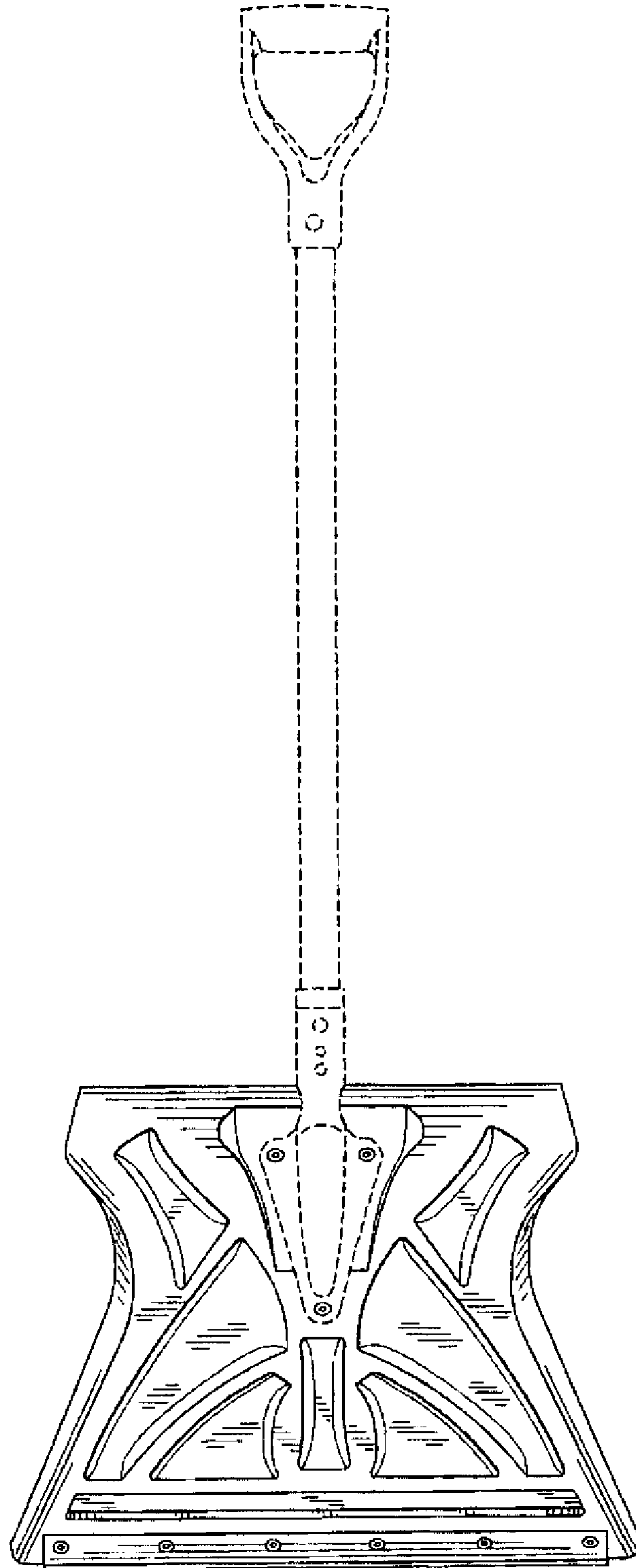


FIG. 3

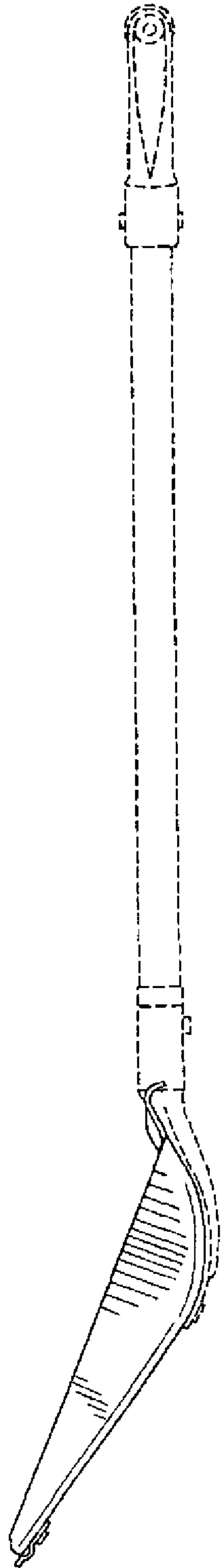


FIG. 4

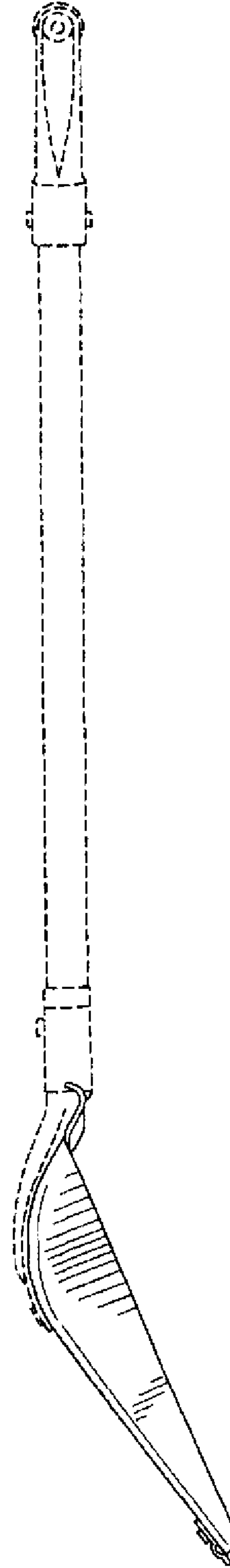


FIG. 5

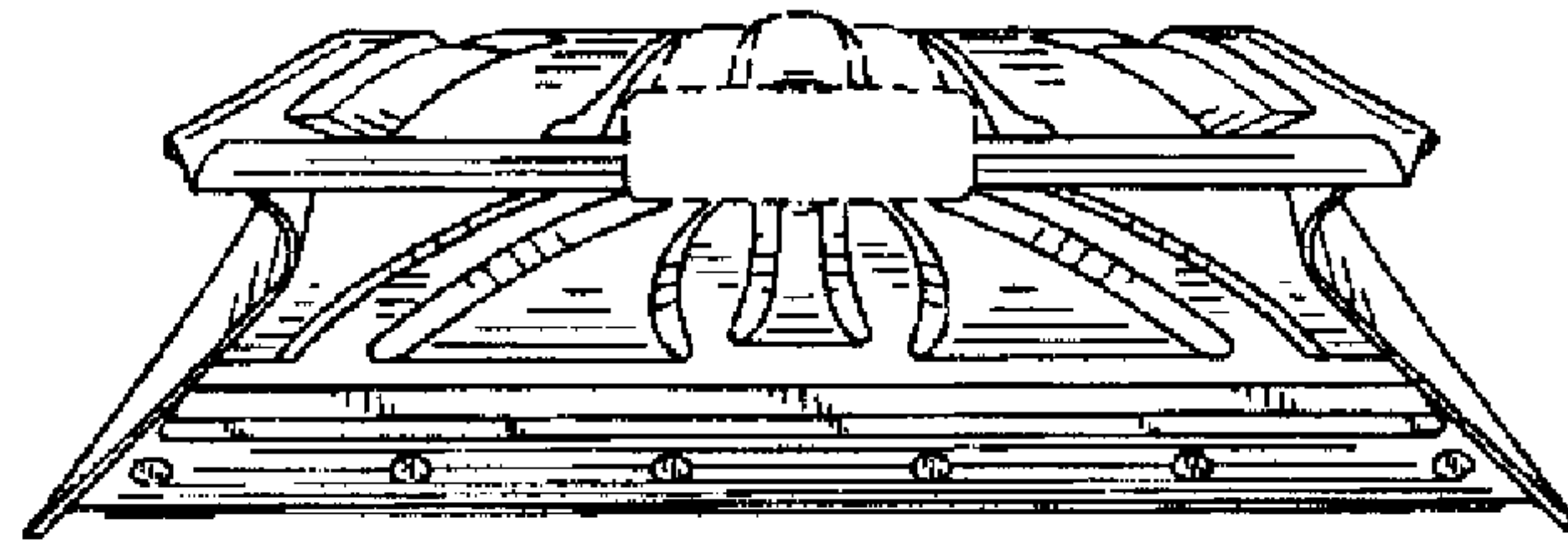


FIG. 6

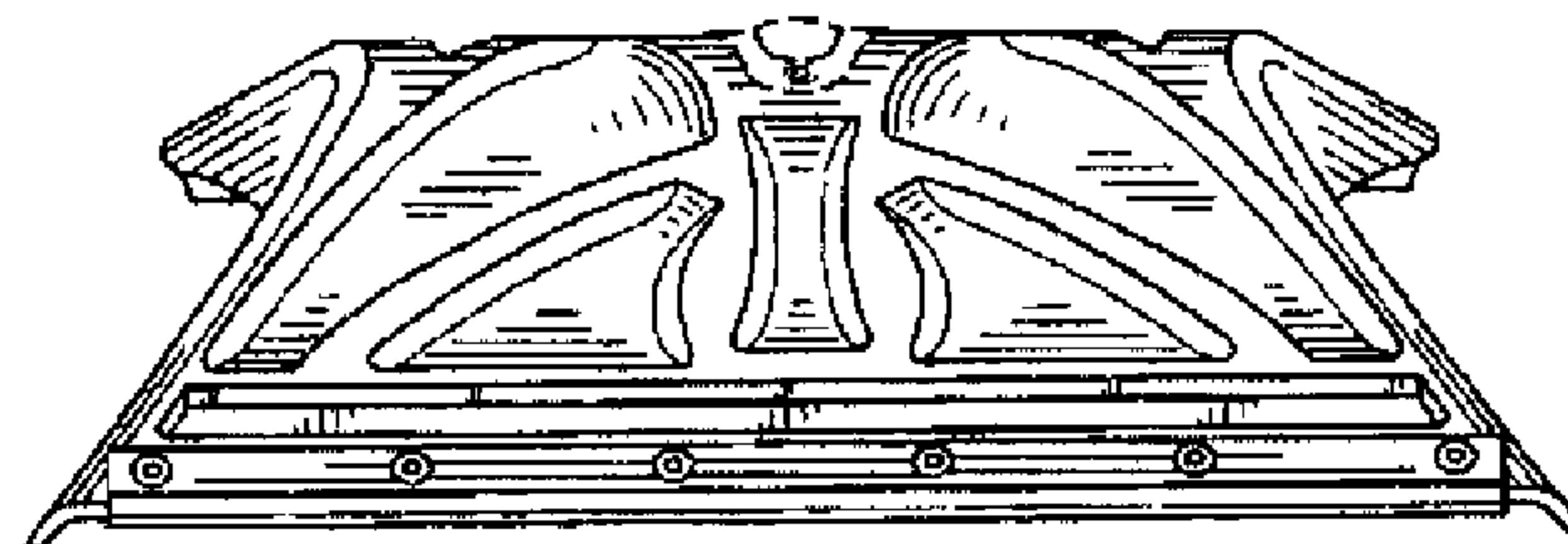


FIG. 7

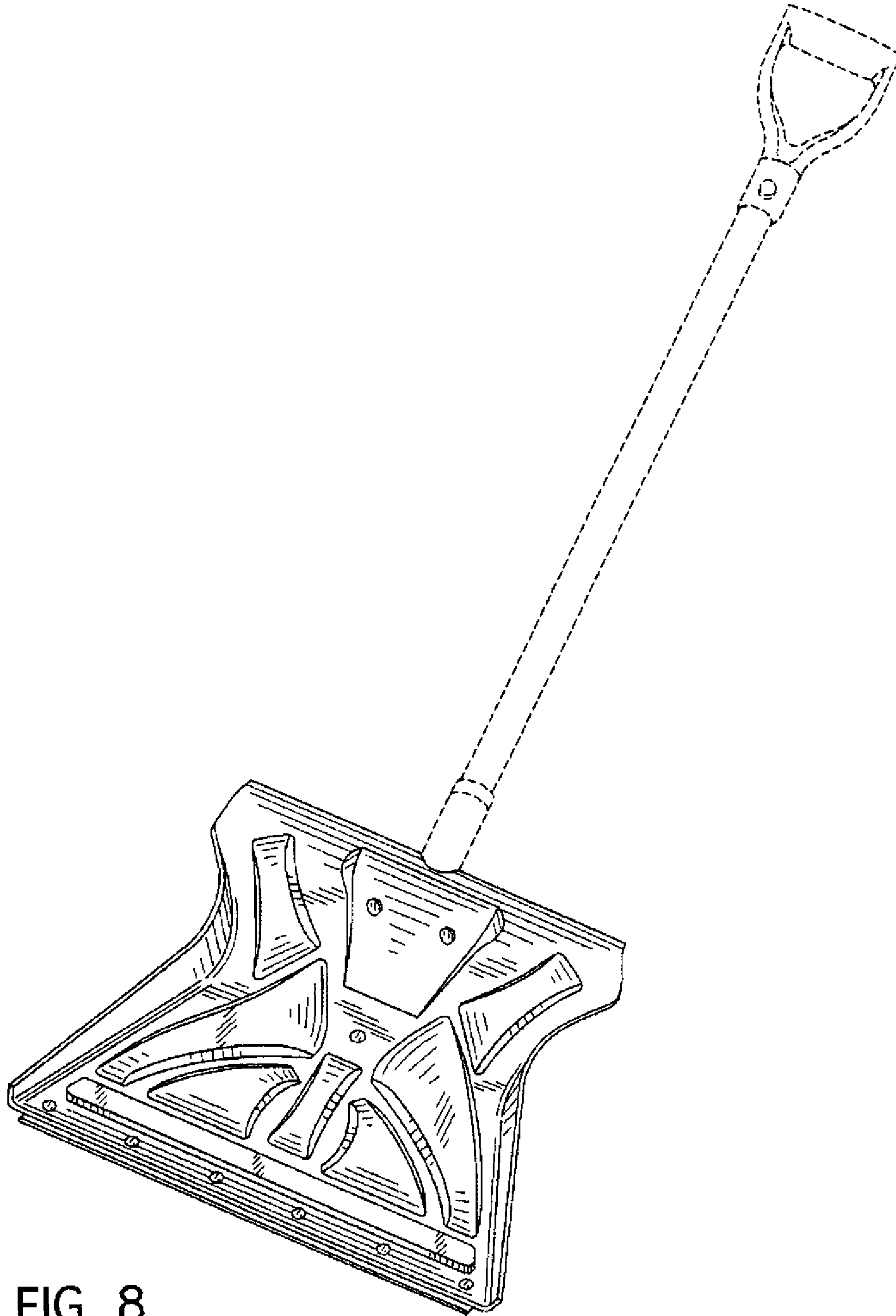


FIG. 8