



US00D699527S

(12) **United States Design Patent**
Randolph et al.

(10) **Patent No.:** **US D699,527 S**

(45) **Date of Patent:** **** Feb. 18, 2014**

(54) **SQUARE POINT BLADE**

(71) Applicant: **Ames True Temper, Inc.**, Camp Hill, PA
(US)

(72) Inventors: **David Randolph**, State College, PA
(US); **James M. Wagner**, Lewistown,
PA (US); **Cloyd R. Shawver**,
Lewistown, PA (US); **Jeff Koenig**,
Mechanicsburg, PA (US)

(73) Assignee: **Ames True Temper, Inc.**, Camp Hill, PA
(US)

(**) Term: **14 Years**

(21) Appl. No.: **29/455,050**

(22) Filed: **May 16, 2013**

(51) **LOC (10) Cl.** **08-01**

(52) **U.S. Cl.**
USPC **D8/10**

(58) **Field of Classification Search**
USPC D8/7, 10; 294/49, 53.5, 54.5, 57, 55.5,
294/51, 56, 58; 56/400.01, 400.14;
172/371-372

See application file for complete search history.

(56) **References Cited**

U.S. PATENT DOCUMENTS

5,727,831 A *	3/1998	Dritlein, Jr.	294/59
D413,774 S	9/1999	Spear	
D527,960 S *	9/2006	Fortier	D8/10
D533,754 S *	12/2006	Fortier	D8/10
D563,741 S *	3/2008	Patton	D8/10
D565,366 S *	4/2008	Buscher	D8/10
D601,866 S *	10/2009	Carroll	D8/10
D617,616 S	6/2010	Randolph et al.	
8,297,670 B2 *	10/2012	Boies	294/57
D673,823 S *	1/2013	Randolph et al.	D8/10

* cited by examiner

Primary Examiner — Sheryl Lane

(74) *Attorney, Agent, or Firm* — Eckert Seamans Cherin &
Mellott, LLC; David C. Jenkins

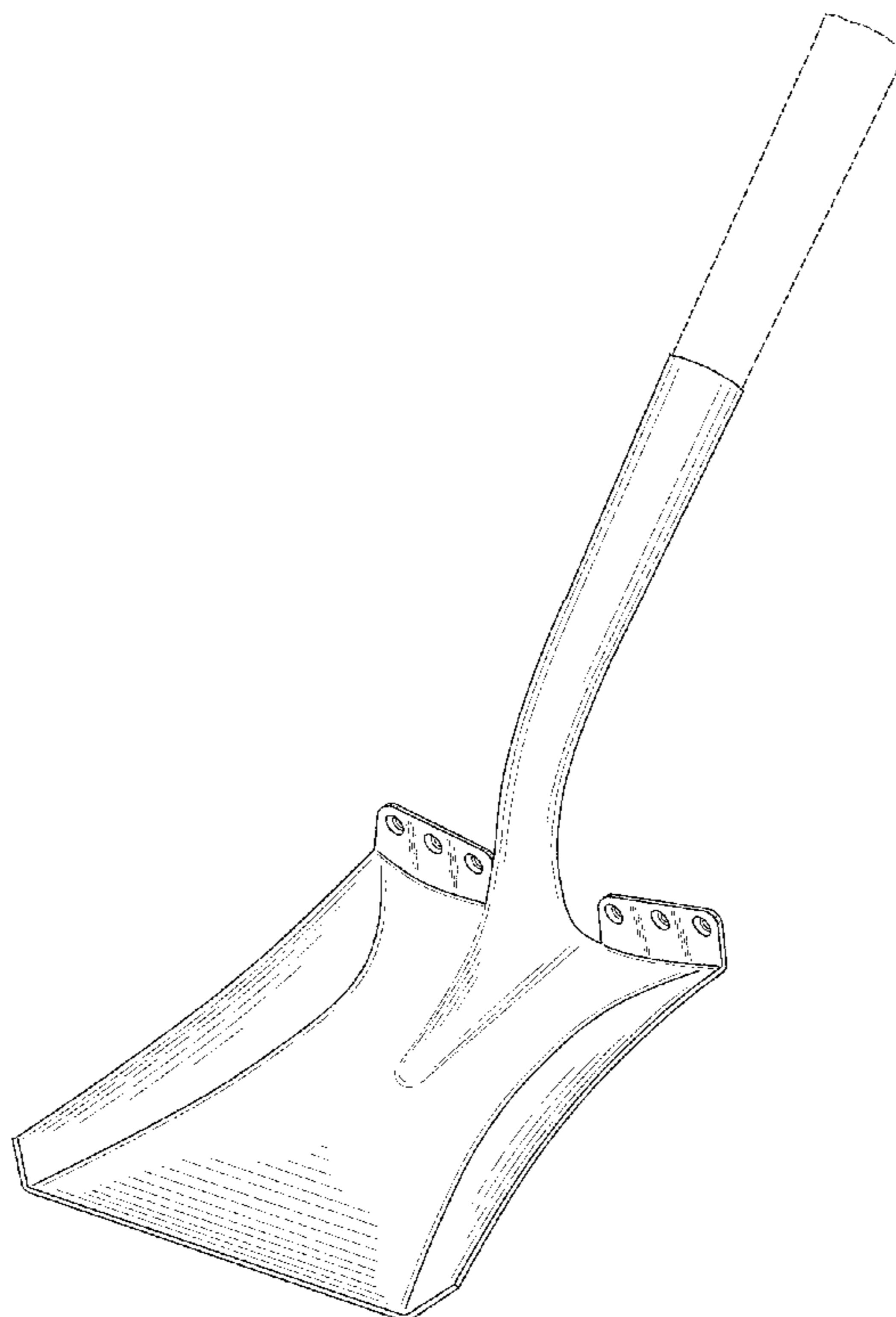
(57) **CLAIM**

The ornamental design for a square point blade, as shown and described.

DESCRIPTION

FIG. 1 is an isometric view of the square point blade;
FIG. 2 is a top view of the square point blade;
FIG. 3 is a bottom view of the square point blade;
FIG. 4 is a right view of the square point blade;
FIG. 5 is a left view of the square point blade;
FIG. 6 is a front view of the square point blade; and,
FIG. 7 is a back view of the square point blade.
The broken lines in the drawings depict environmental sub-
ject matter only and form no part of the claimed design.

1 Claim, 6 Drawing Sheets



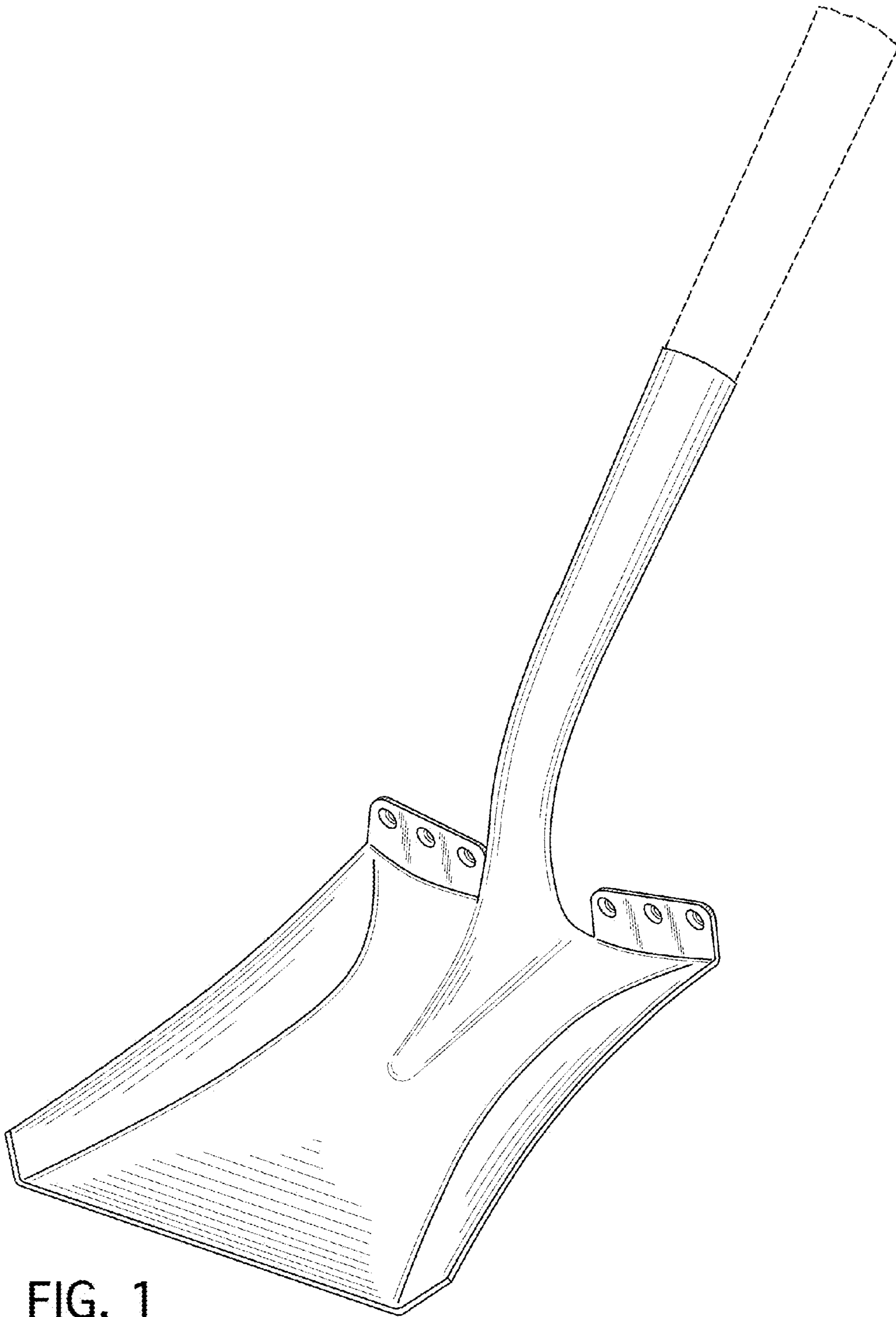


FIG. 1

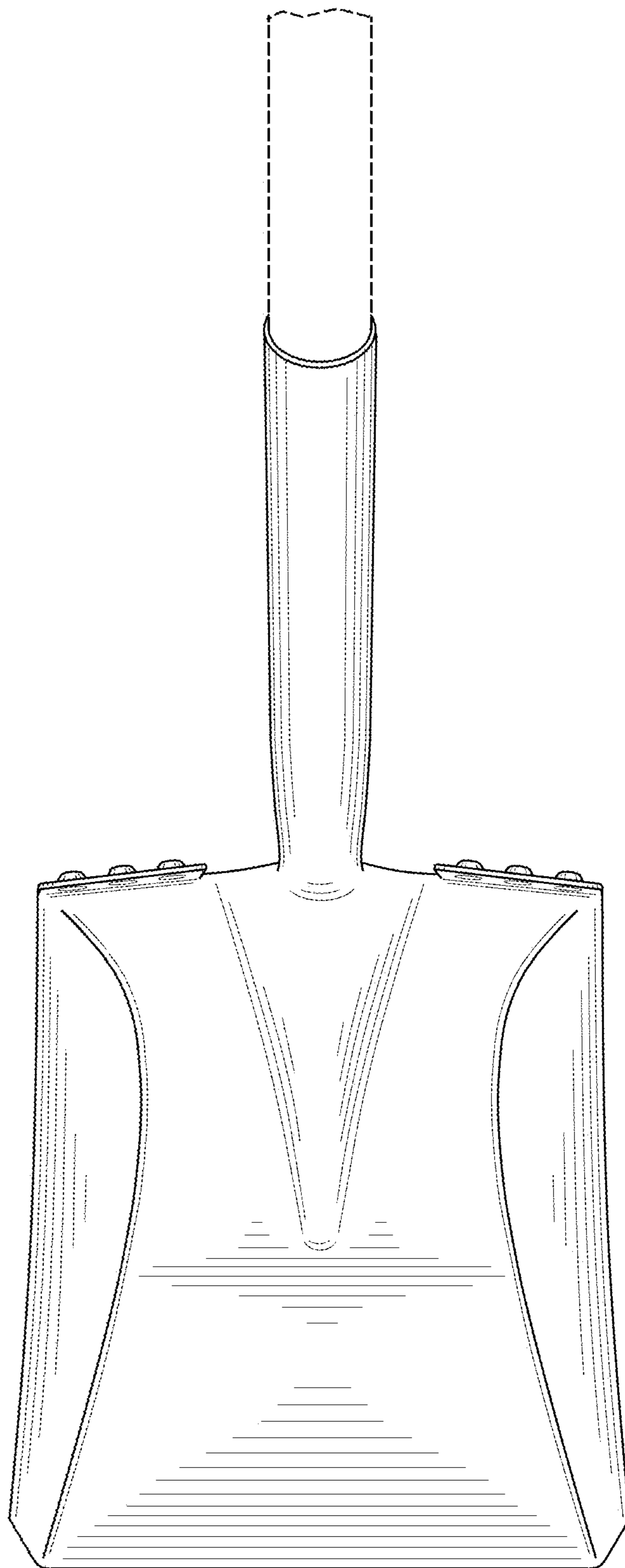


FIG. 2

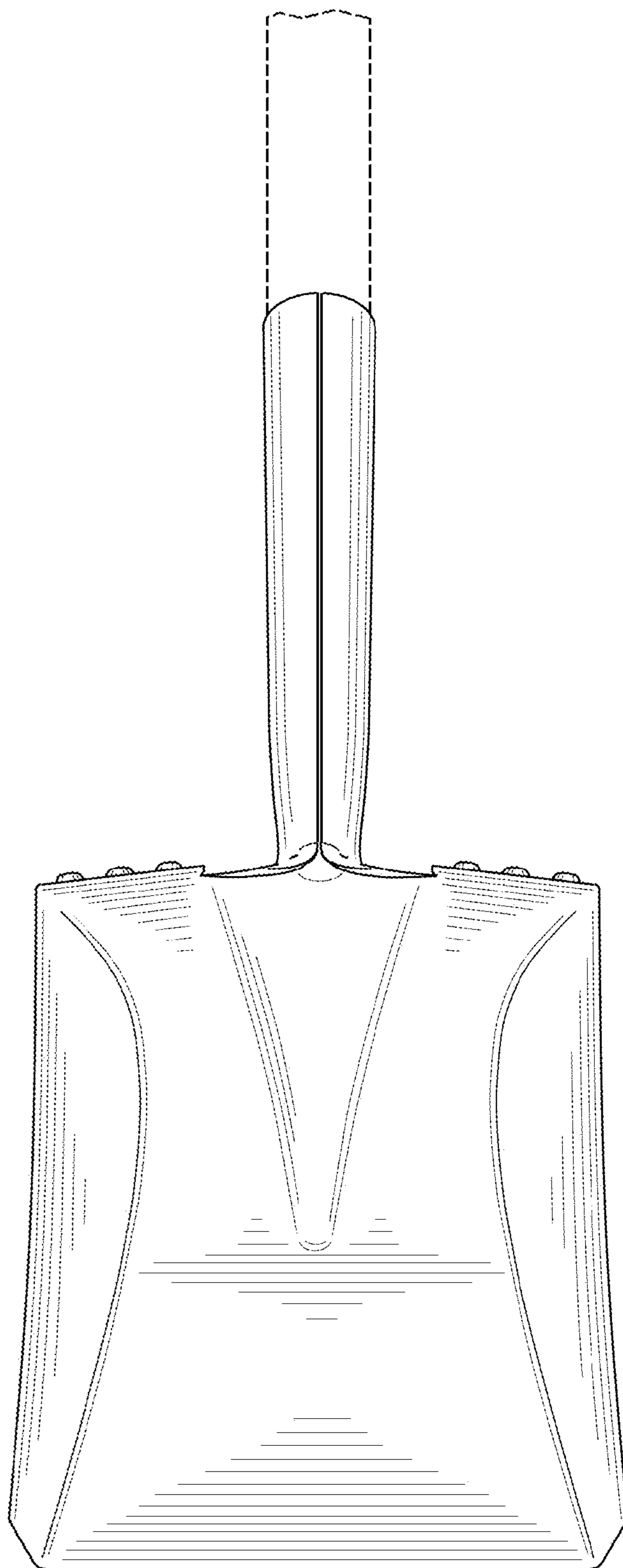


FIG. 3

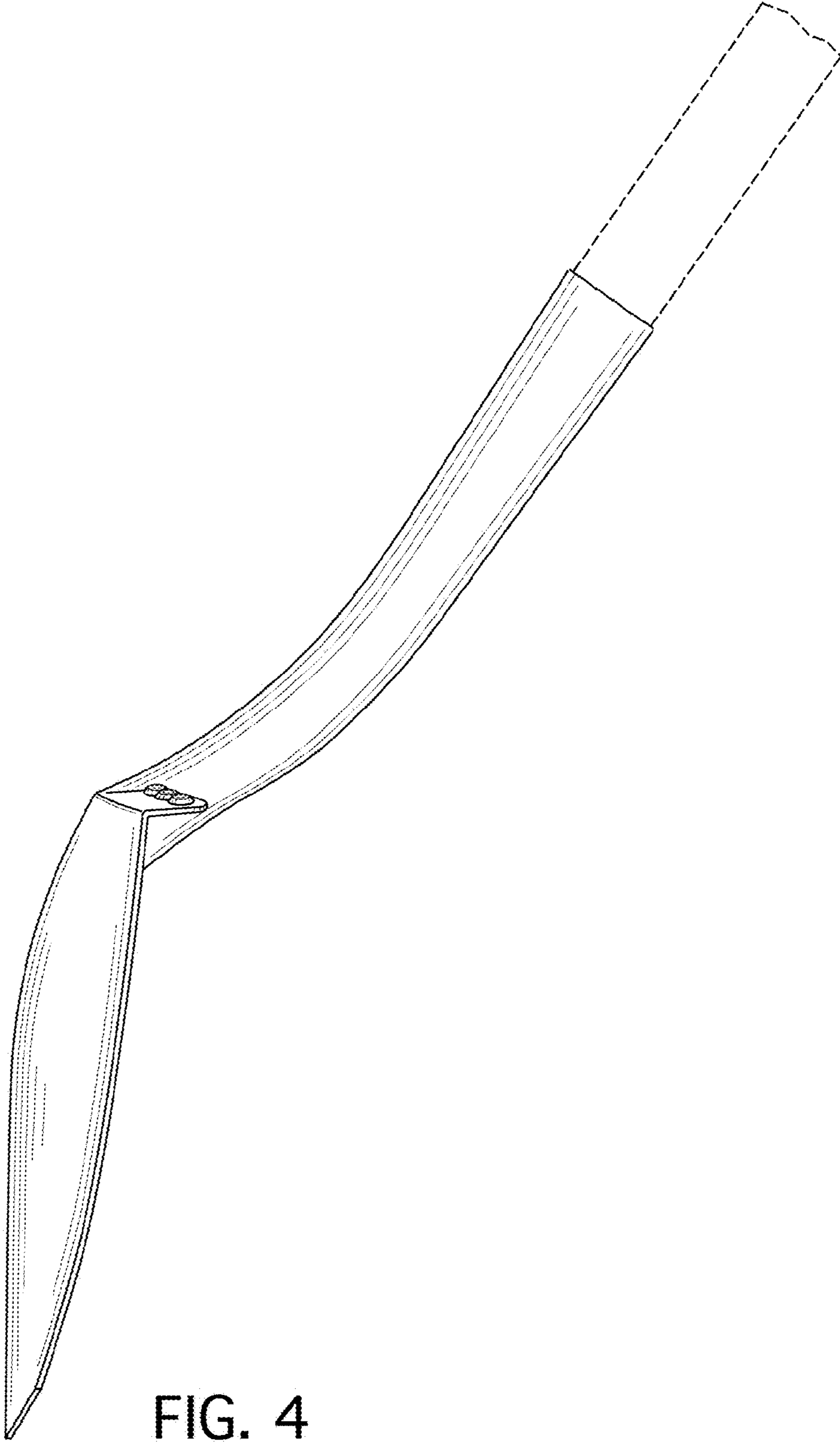


FIG. 4

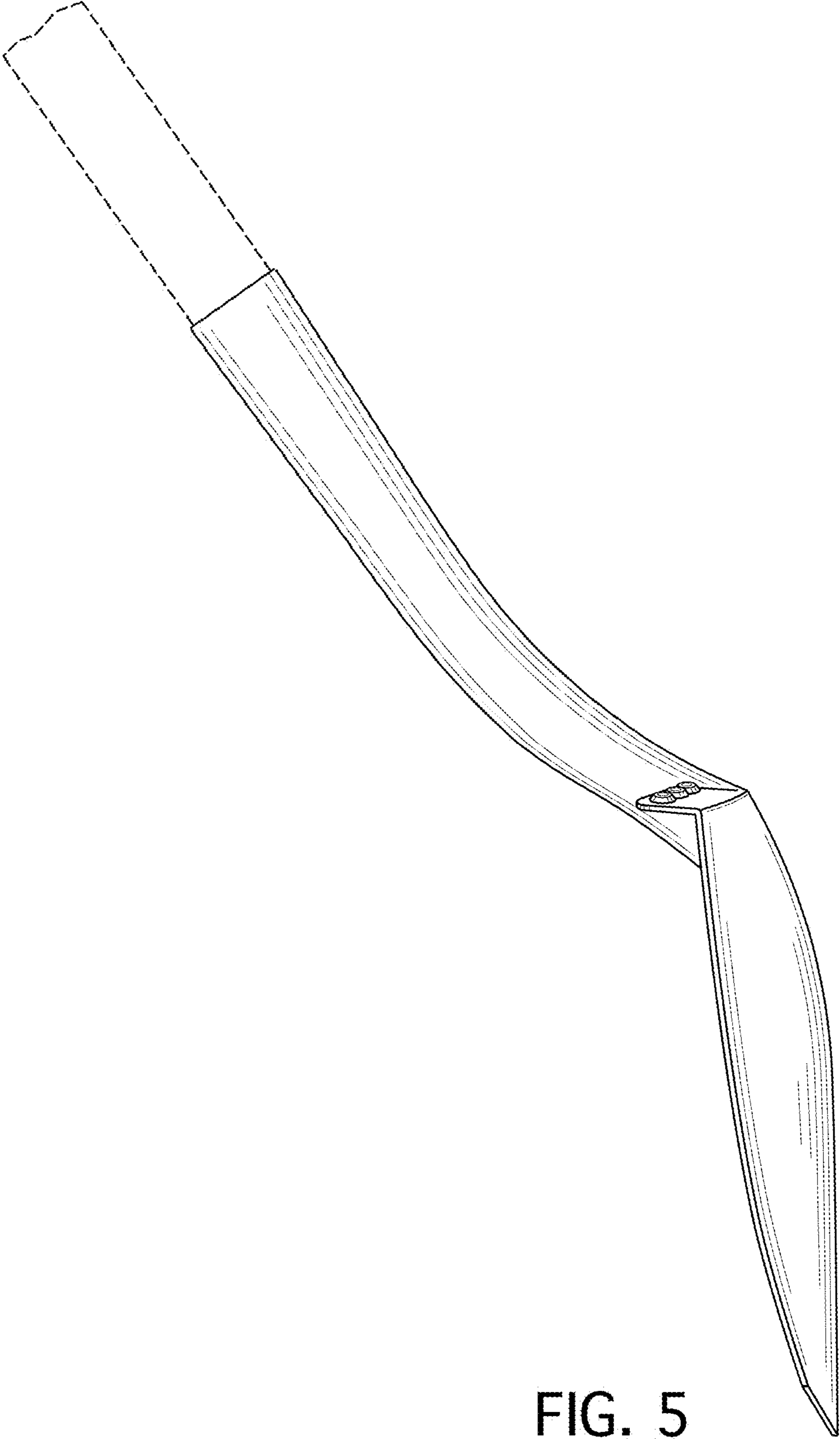


FIG. 5

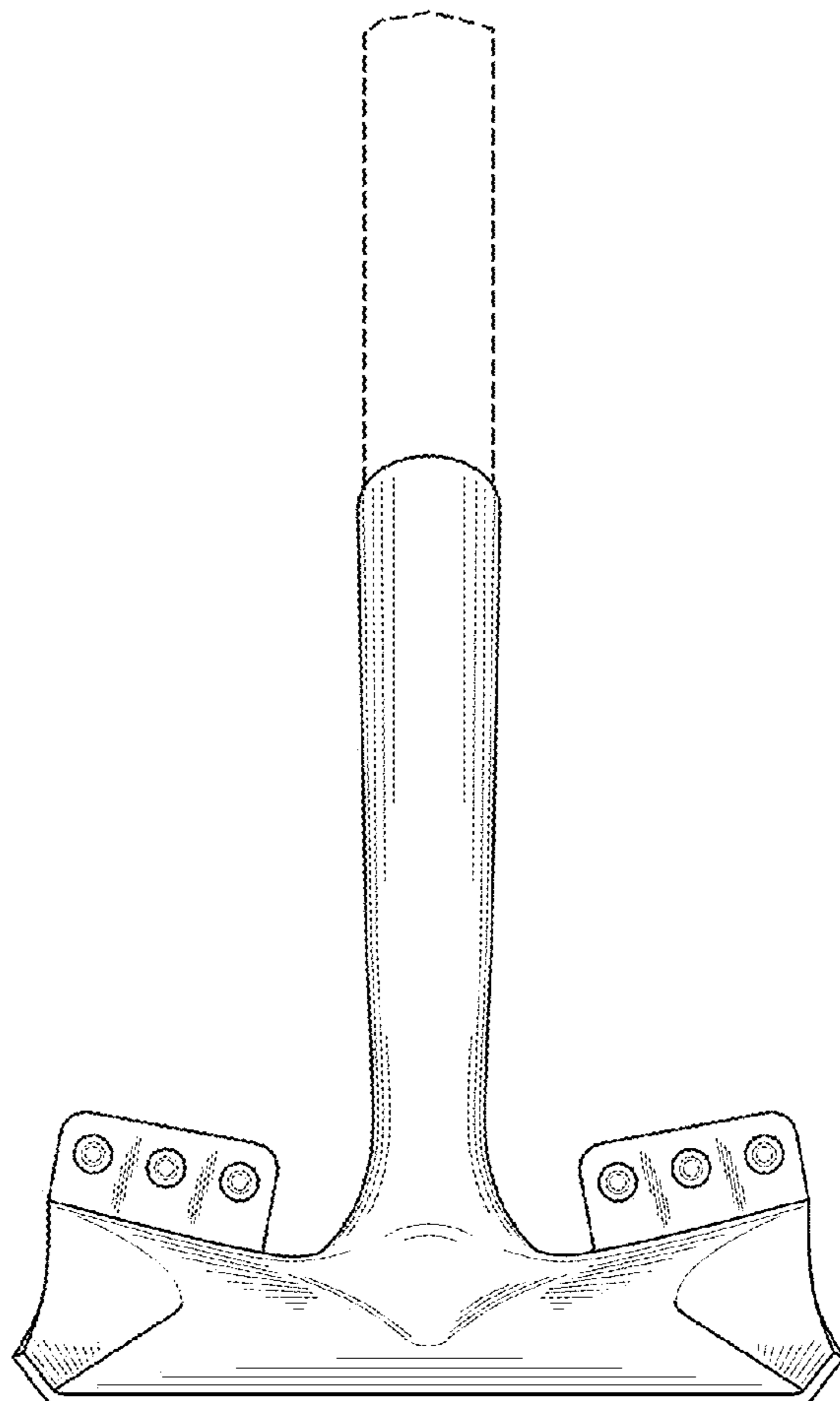


FIG. 6

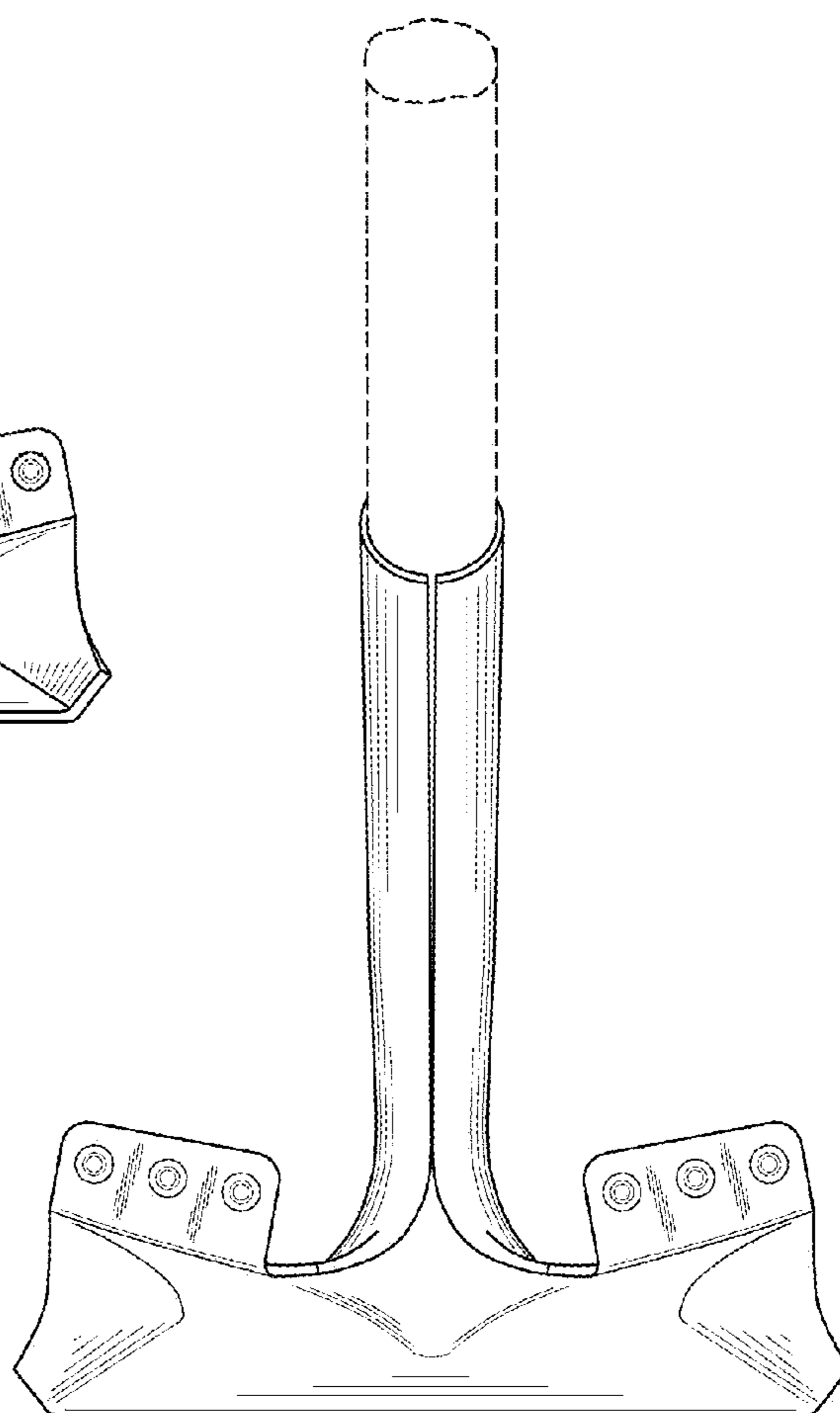


FIG. 7

UNITED STATES PATENT AND TRADEMARK OFFICE
CERTIFICATE OF CORRECTION

PATENT NO. : D699,527 S
APPLICATION NO. : 29/455050
DATED : February 18, 2014
INVENTOR(S) : David Randolph et al.

Page 1 of 7

It is certified that error appears in the above-identified patent and that said Letters Patent is hereby corrected as shown below:

On the Title Page

Please replace previous Figure 1 with replacement drawing Figure 1.

In the Drawings

Please replace original drawing sheets (Figures 1-7) as shown on the attached sheets.

Signed and Sealed this
Ninth Day of October, 2018



Andrei Iancu
Director of the United States Patent and Trademark Office

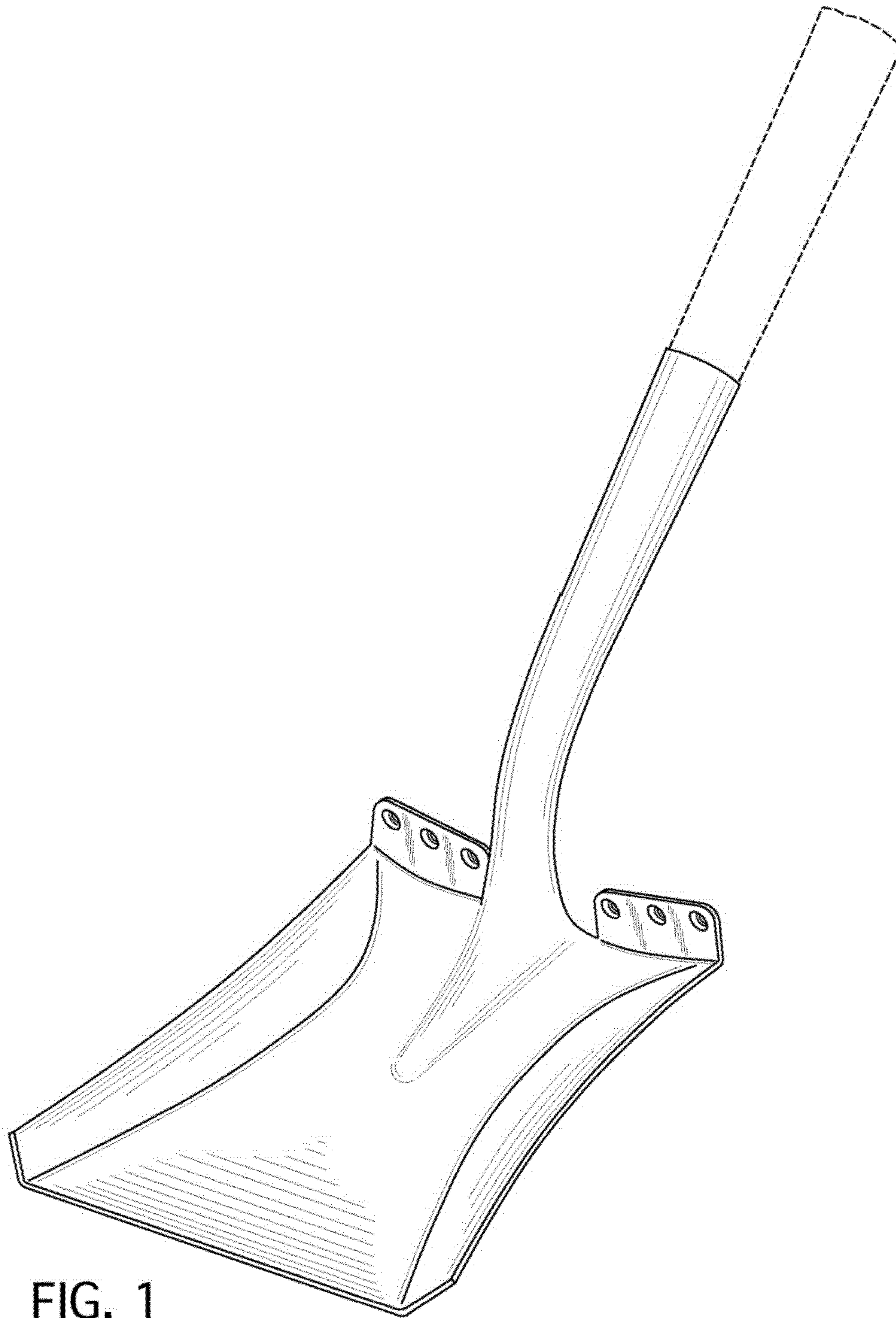


FIG. 1

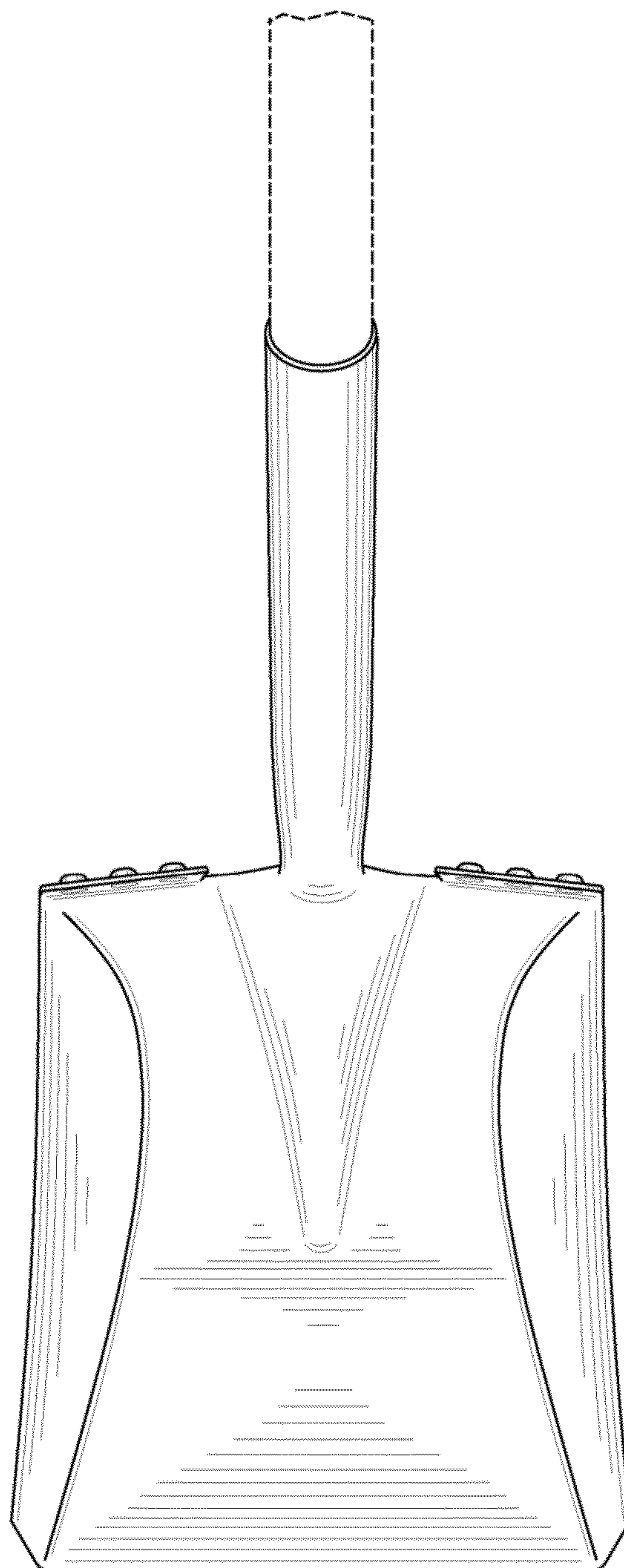


FIG. 2

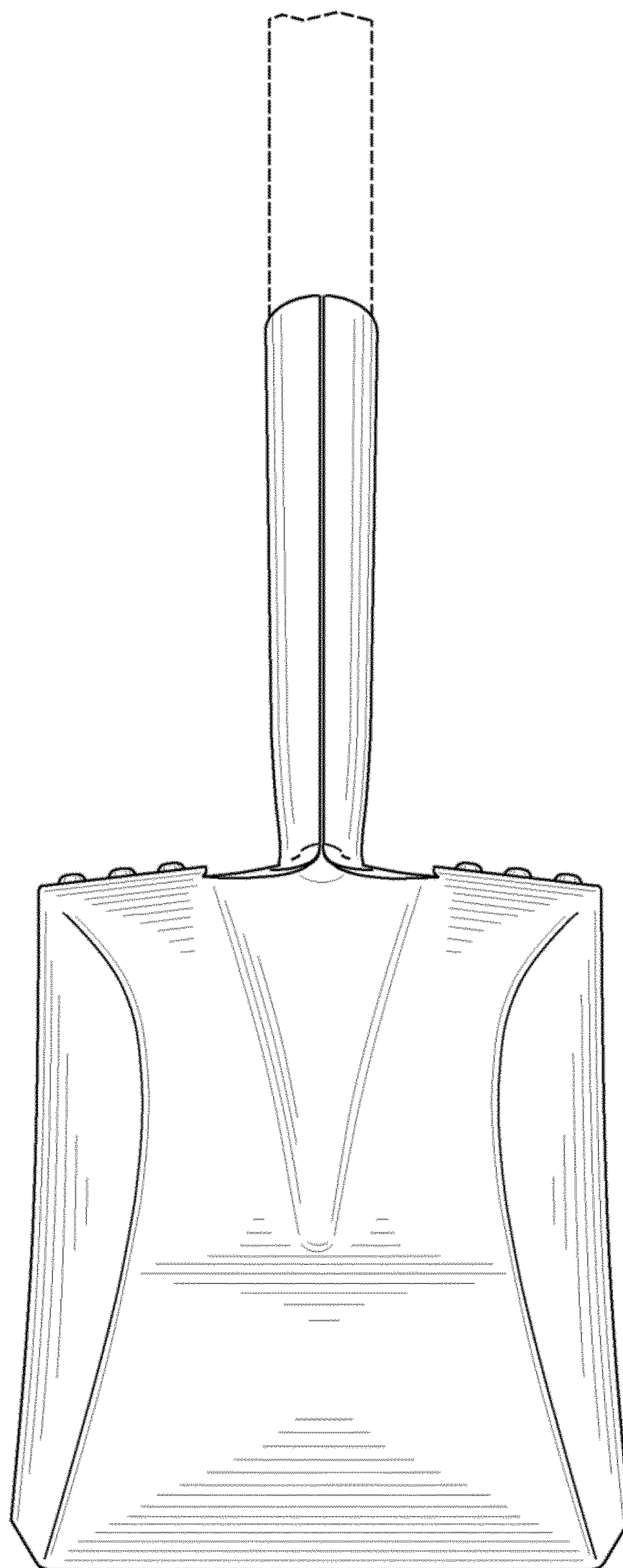


FIG. 3

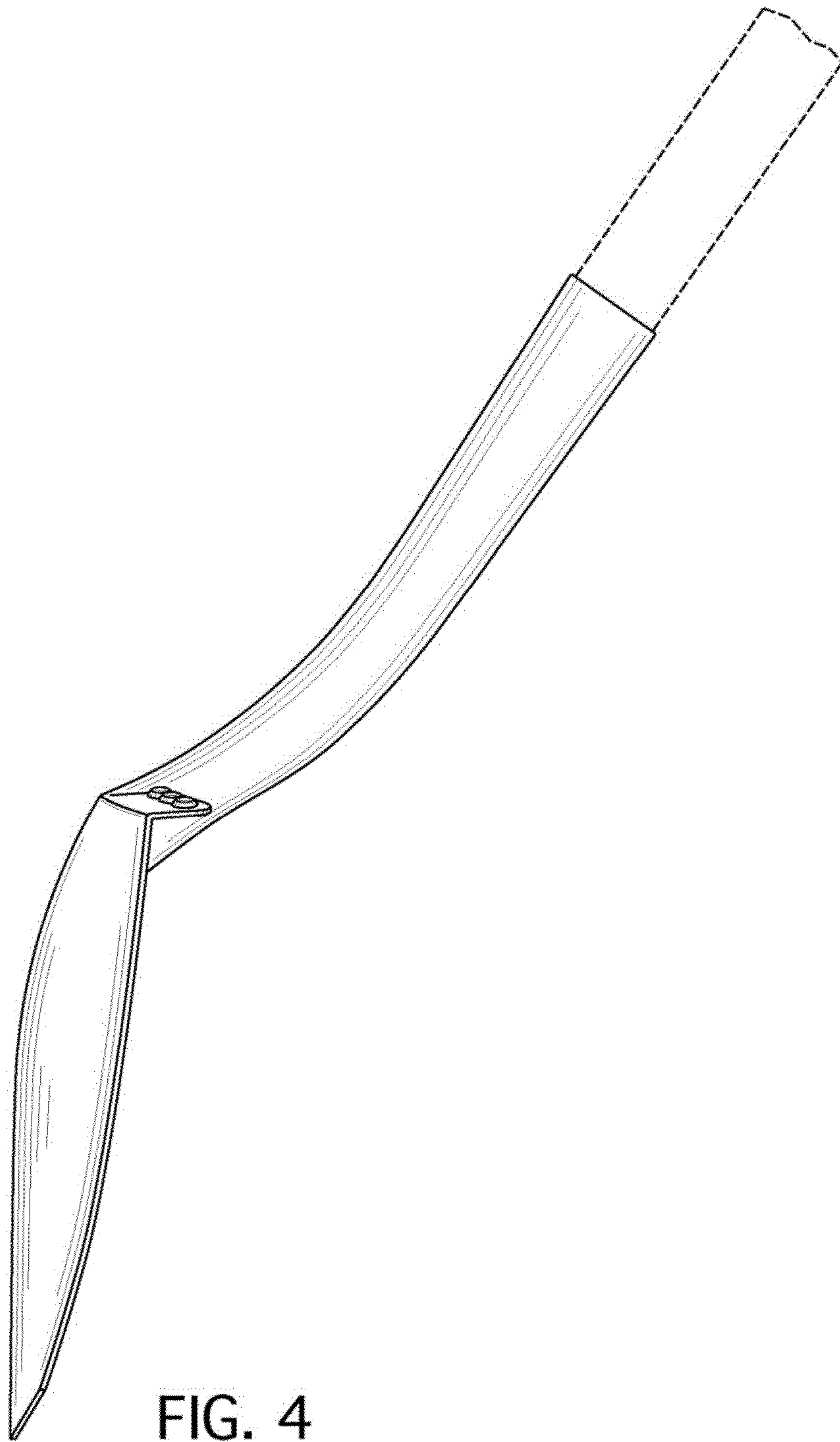


FIG. 4

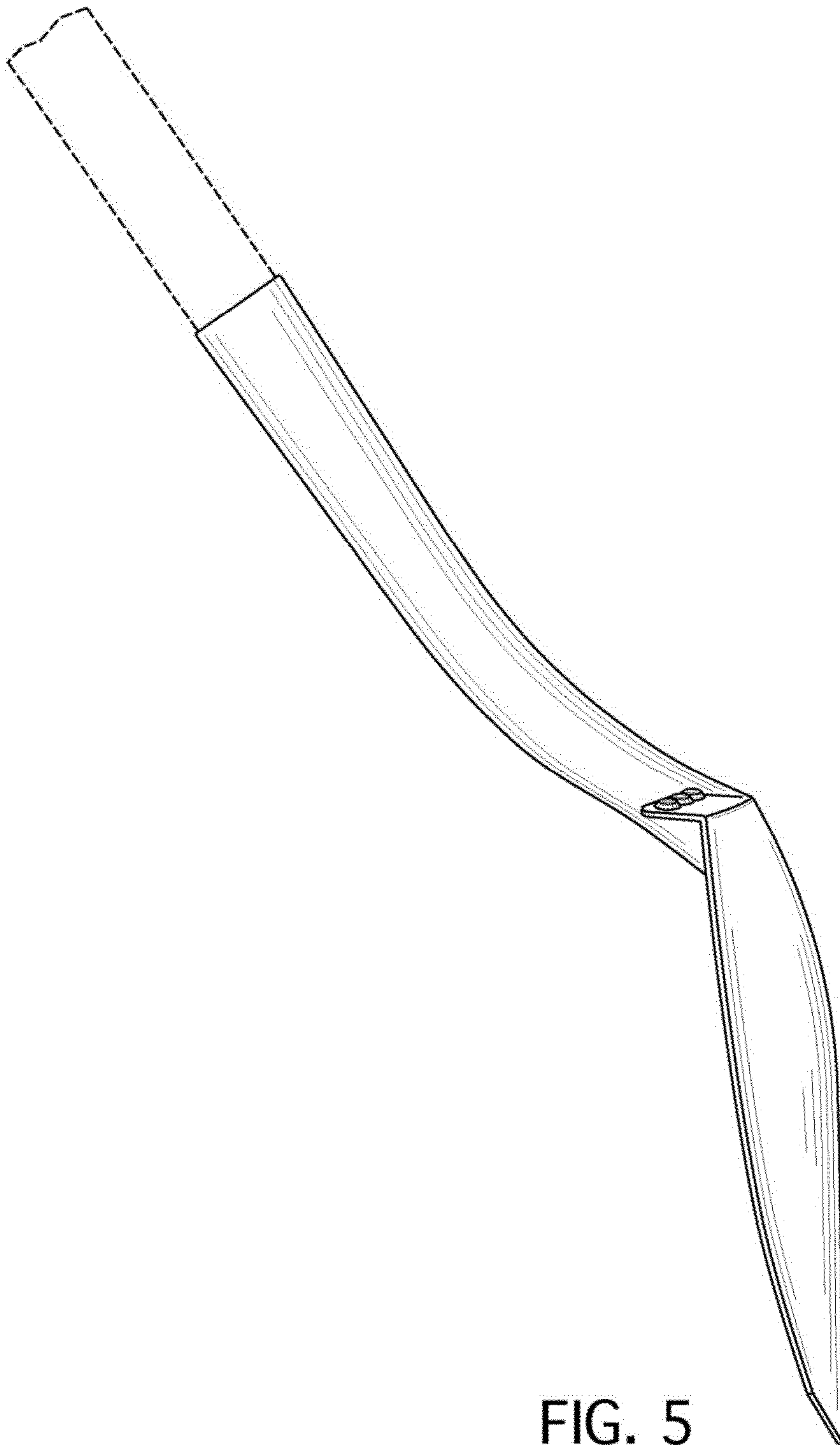


FIG. 5

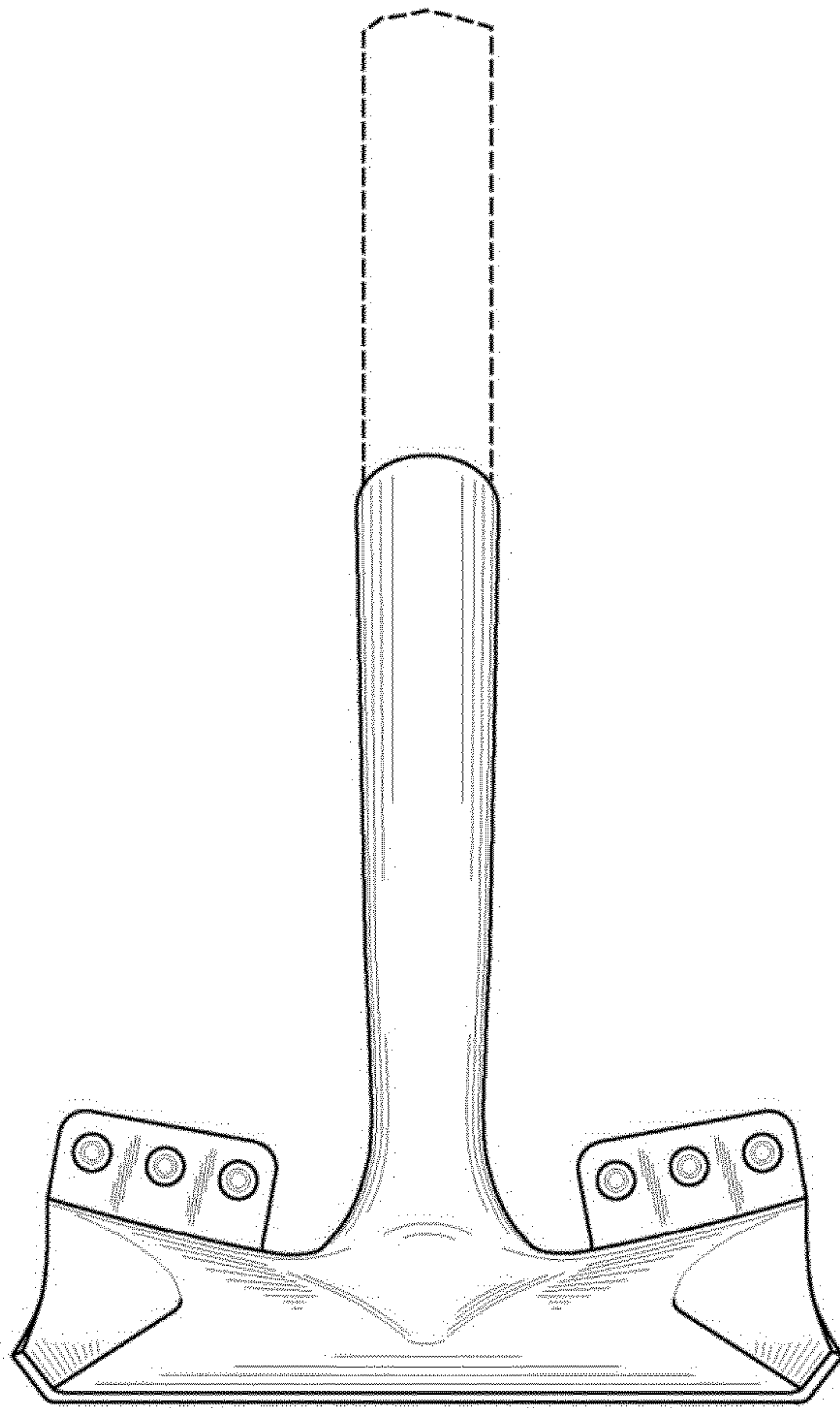


FIG. 6

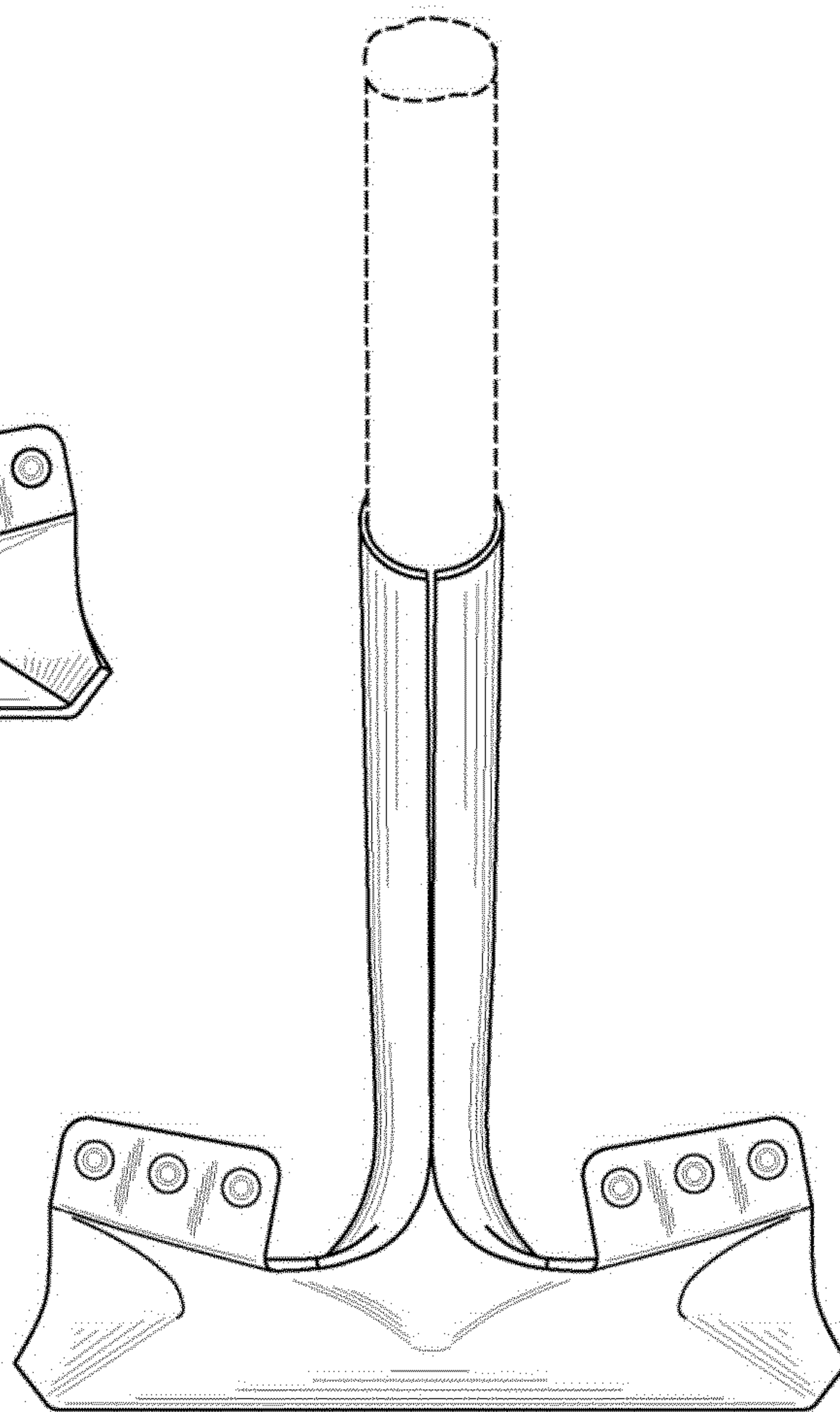


FIG. 7