



US00D699526S

(12) **United States Design Patent**
Wang

(10) **Patent No.:** **US D699,526 S**

(45) **Date of Patent:** **** Feb. 18, 2014**

(54) **SHEARS HANDLES**

(71) Applicant: **Kuei-Ying Wang**, Taichung (TW)

(72) Inventor: **Kuei-Ying Wang**, Taichung (TW)

(**) Term: **14 Years**

(21) Appl. No.: **29/447,948**

(22) Filed: **Mar. 7, 2013**

(51) **LOC (10) Cl.** **08-01**

(52) **U.S. Cl.**
USPC **D8/5**

(58) **Field of Classification Search**
USPC D8/4, 5; 30/251-252, 261-262, 266
See application file for complete search history.

(56) **References Cited**

U.S. PATENT DOCUMENTS

D305,090 S	*	12/1989	Collins et al.	D8/4
D426,433 S	*	6/2000	Hurst	D8/5
D426,434 S	*	6/2000	Hurst	D8/5
D426,756 S	*	6/2000	Hurst	D8/5
D494,431 S	*	8/2004	Wu	D8/5
D509,115 S	*	9/2005	Wu	D8/5

D545,655 S	*	7/2007	Wu	D8/58
D578,841 S	*	10/2008	Huang	D8/5
D628,031 S	*	11/2010	Stokes et al.	D8/5
D639,126 S	*	6/2011	Wu	D8/4
D639,627 S	*	6/2011	Seeds et al.	D8/52
D651,487 S	*	1/2012	Roberts et al.	D8/5
D655,990 S	*	3/2012	Block et al.	D8/5

* cited by examiner

Primary Examiner — Sheryl Lane

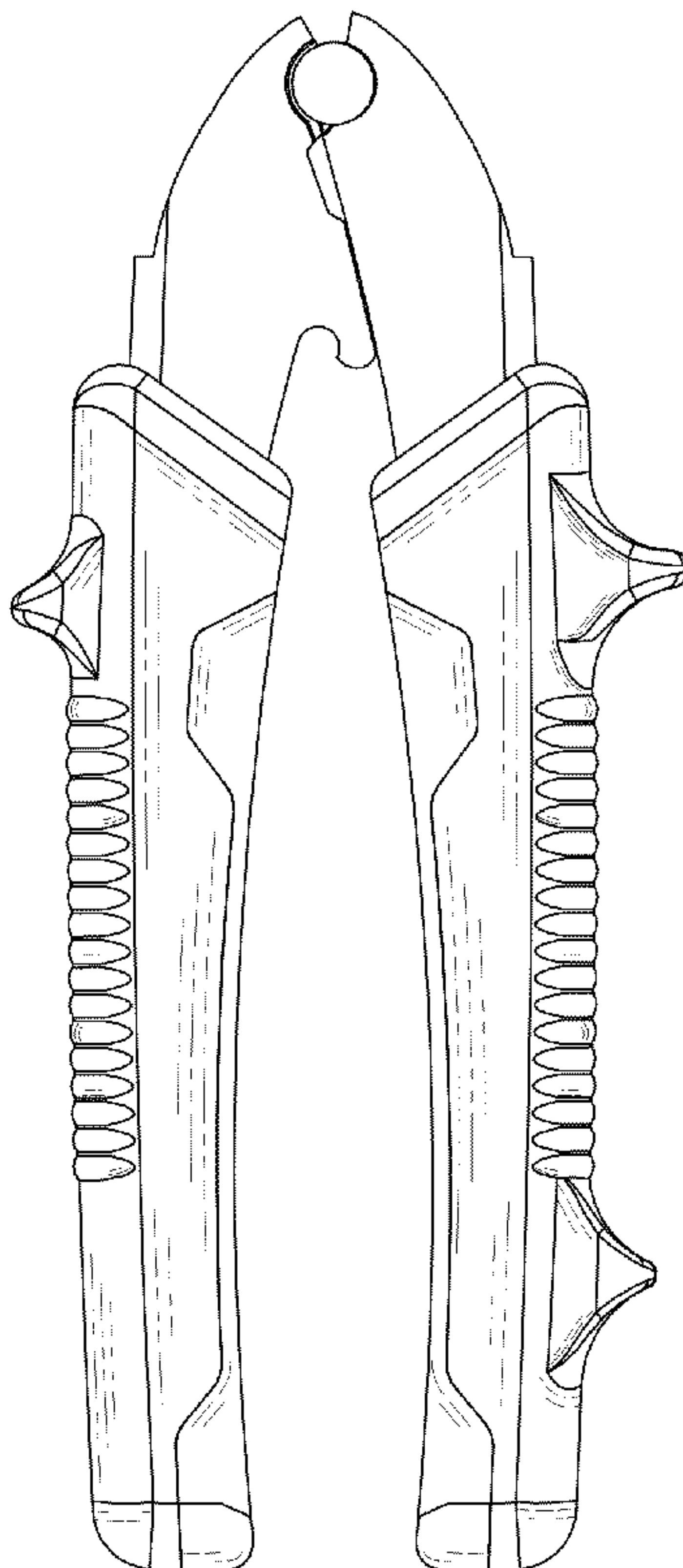
(57) **CLAIM**

The ornamental design for a shears handles, as shown and described.

DESCRIPTION

FIG. 1 is a perspective view of a shears handles showing my new design;
FIG. 2 is a front side view thereof;
FIG. 3 is a back side view thereof;
FIG. 4 is a left side view thereof;
FIG. 5 is a right side view thereof;
FIG. 6 is a top plan view thereof;
FIG. 7 is a bottom plan view thereof; and,
FIG. 8 is a perspective view thereof with tool.

1 Claim, 6 Drawing Sheets



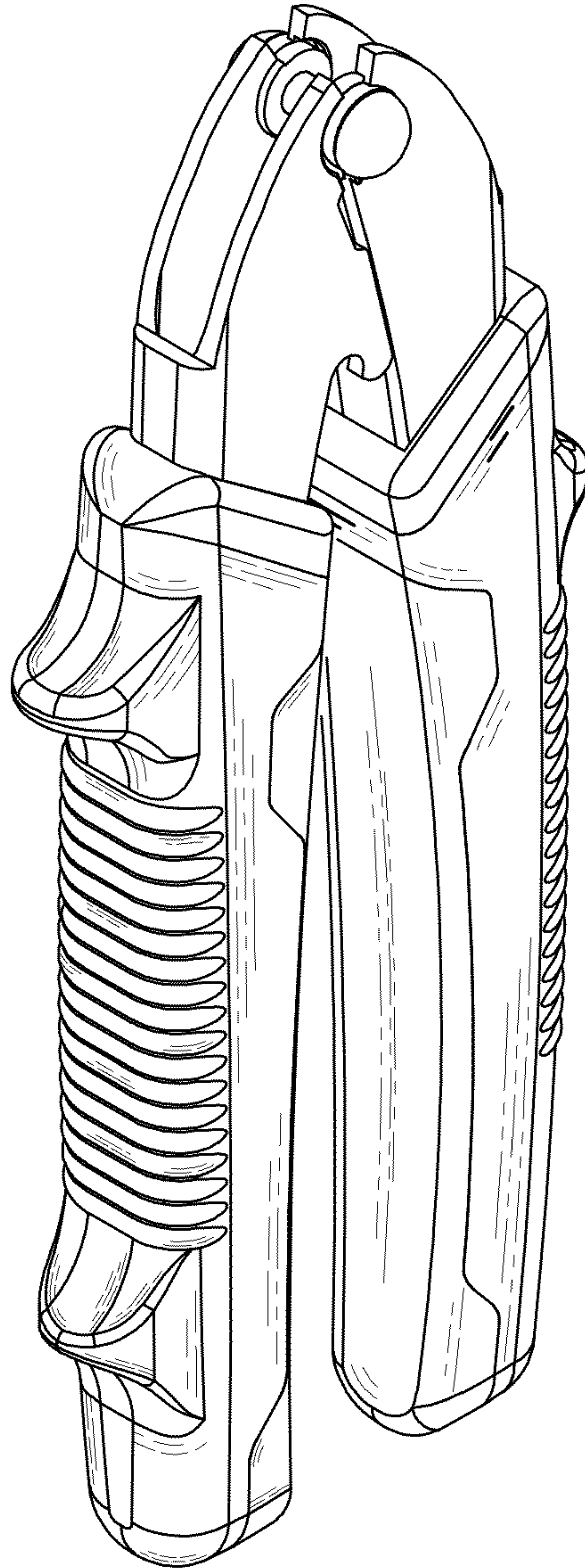


FIG. 1

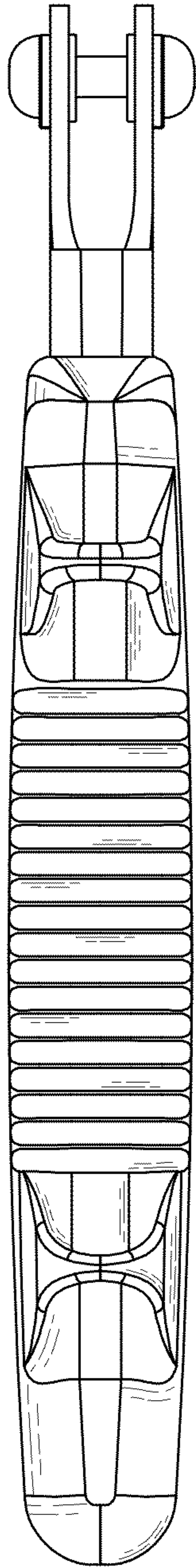


FIG. 2

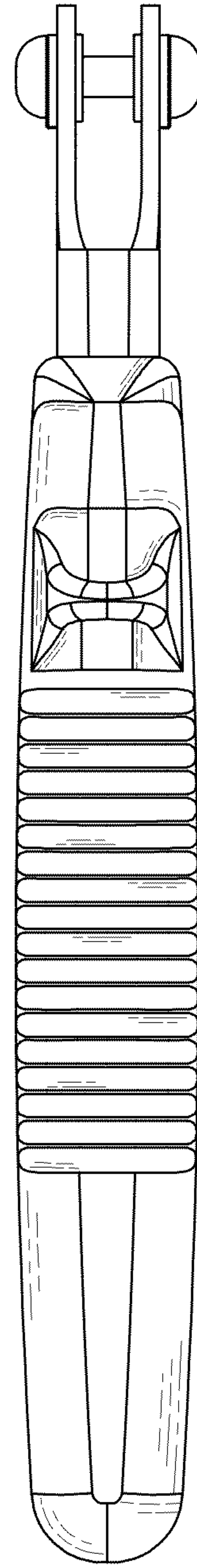


FIG. 3

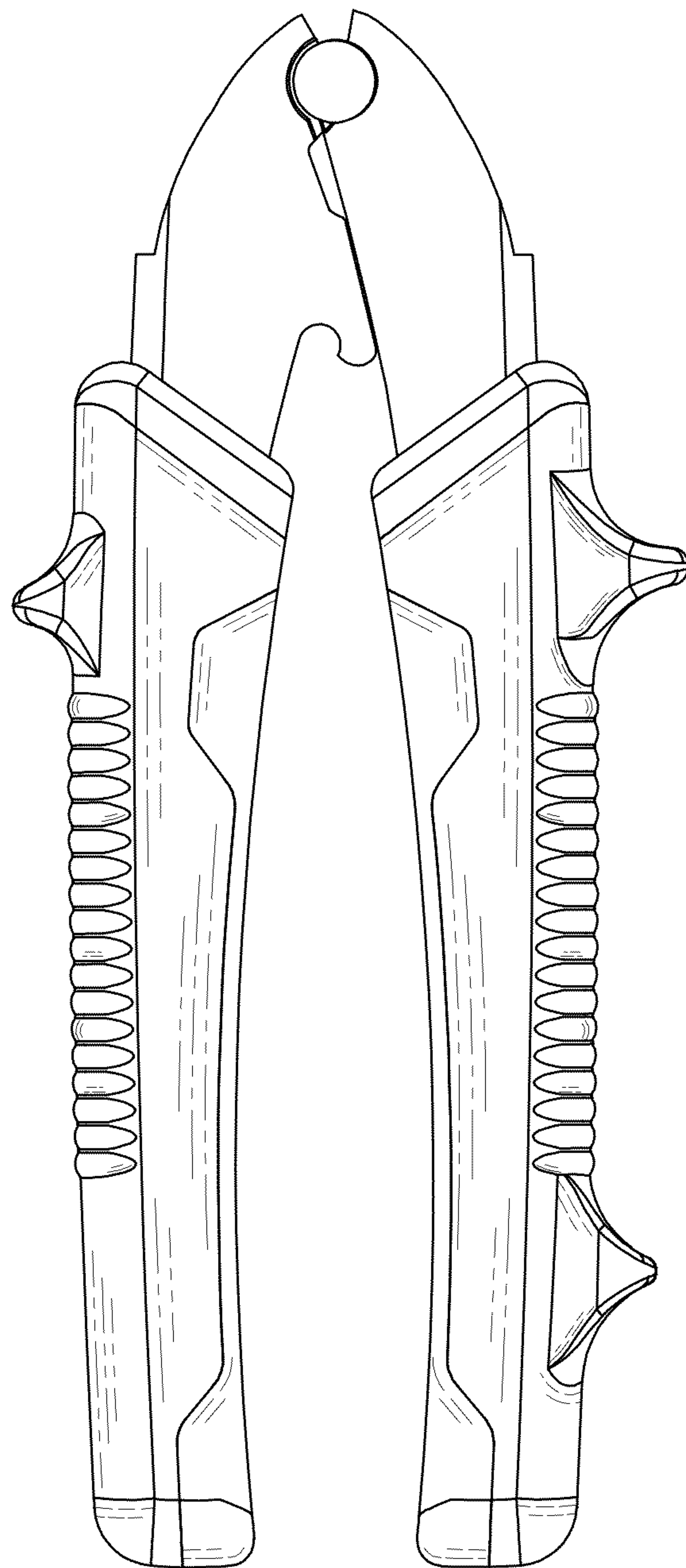


FIG. 4

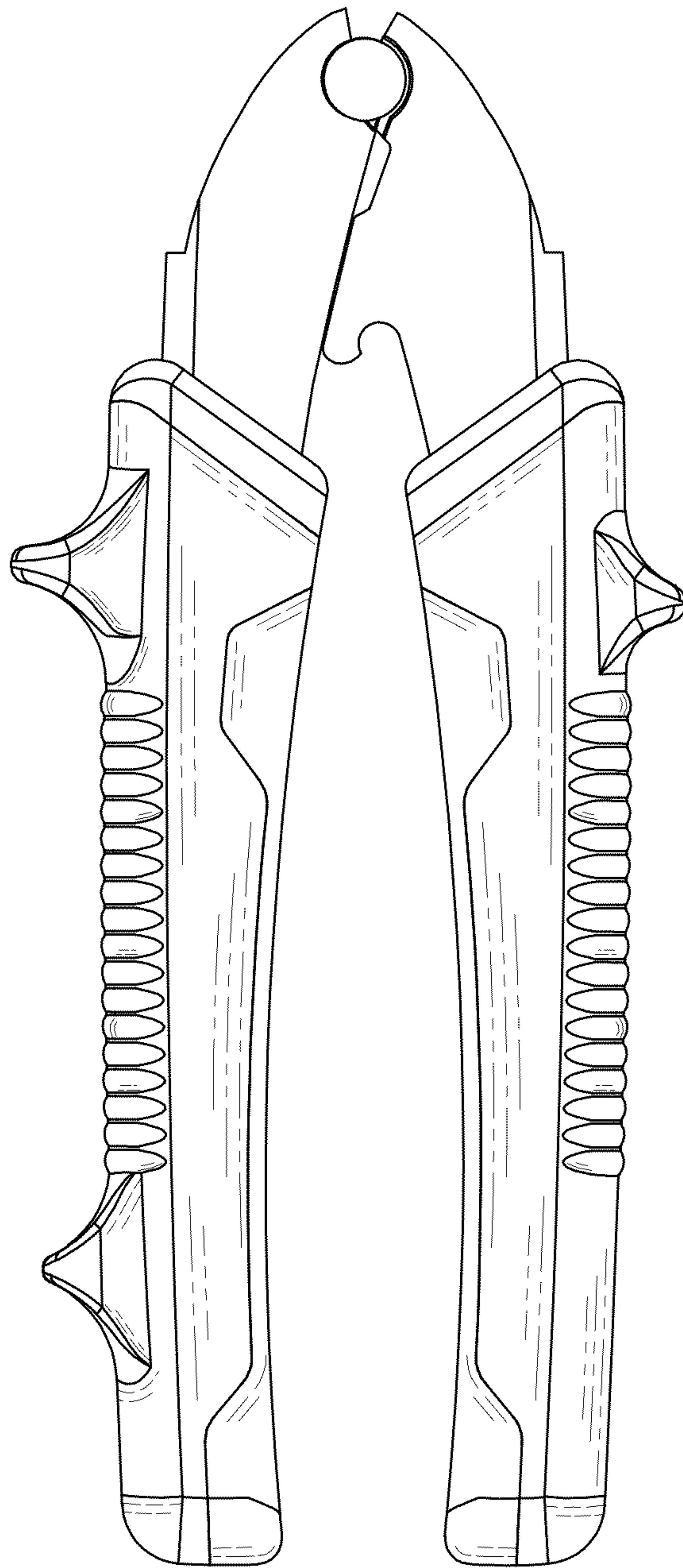


FIG. 5

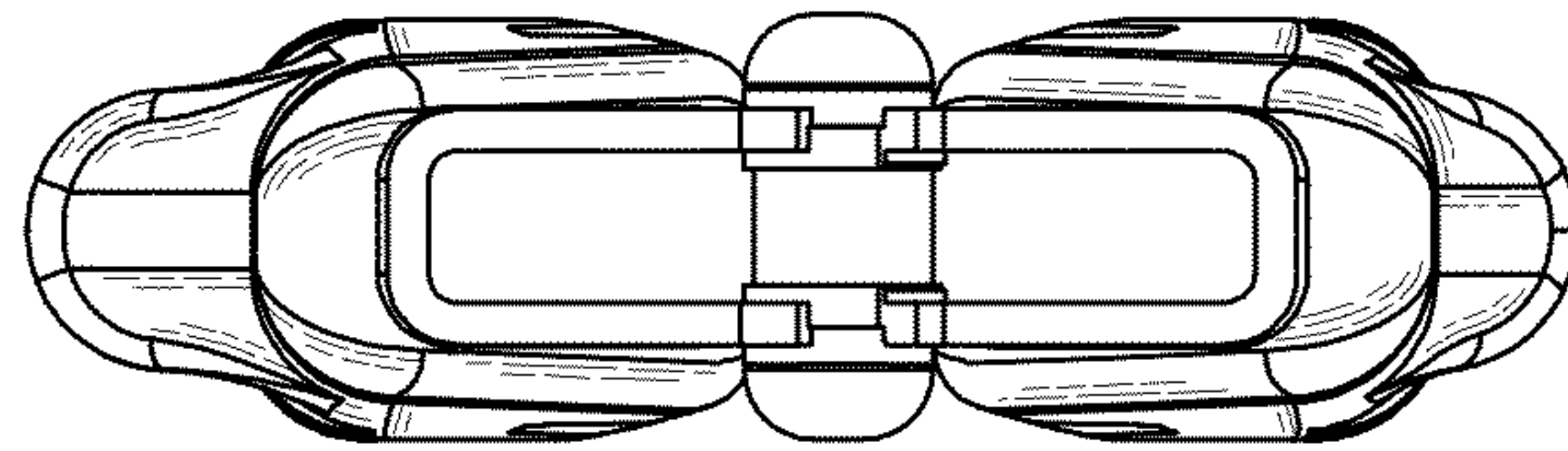


FIG. 6

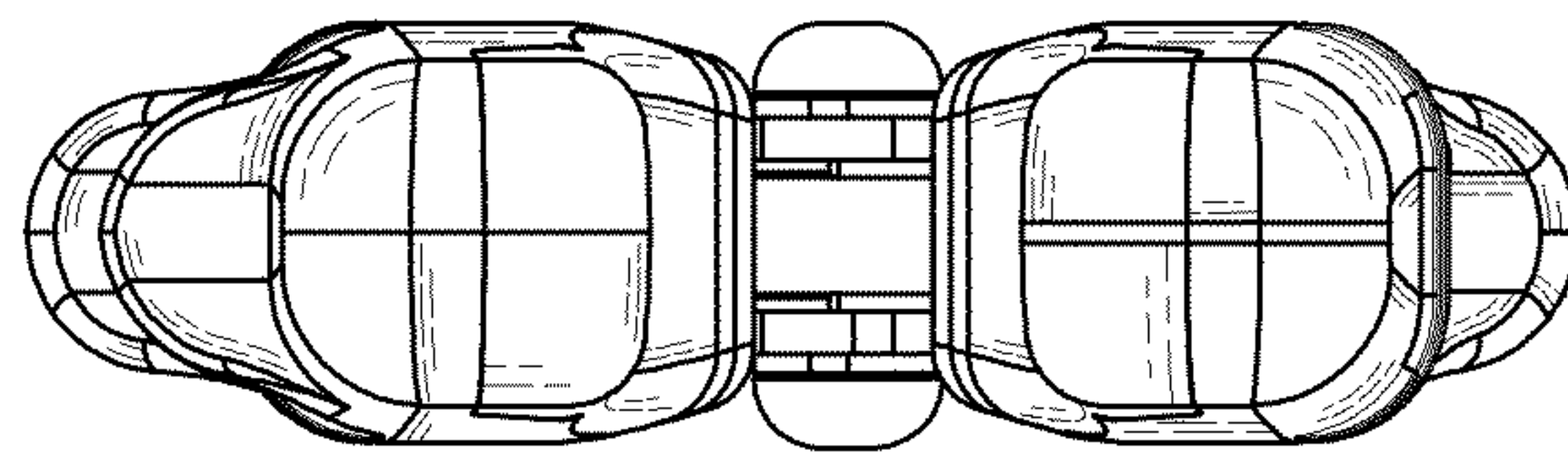


FIG. 7

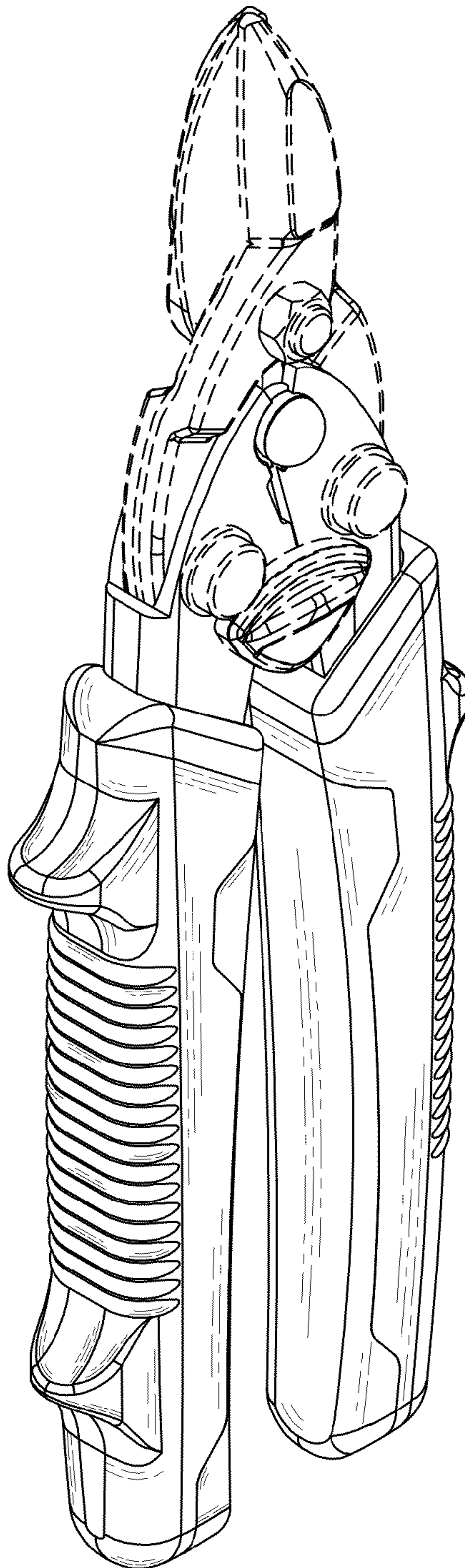


FIG. 8