

US00D699525S

(12) **United States Design Patent**
Wasserman

(10) **Patent No.:** **US D699,525 S**
(45) **Date of Patent:** **** Feb. 18, 2014**

(54) **SPATULA**

(71) Applicant: **Jacob Riley Wasserman**, Bridgeton, NJ
(US)

(72) Inventor: **Jacob Riley Wasserman**, Bridgeton, NJ
(US)

(73) Assignee: **The Hereafter, Inc.**, Columbus, OH
(US)

(**) Term: **14 Years**

(21) Appl. No.: **29/435,285**

(22) Filed: **Oct. 22, 2012**

(51) **LOC (10) Cl.** **07-02**

(52) **U.S. Cl.**
USPC **D7/689**

(58) **Field of Classification Search**
USPC D7/669, 368, 689, 691, 692, 684;
294/7, 8; 7/110, 170

See application file for complete search history.

(56) **References Cited**

U.S. PATENT DOCUMENTS

D491,424	S	*	6/2004	Rosenthal	D7/692
D493,679	S	*	8/2004	Metzger-Boehringer	D7/692
D525,836	S	*	8/2006	Moore	D7/689
D545,645	S	*	7/2007	Lion et al.	D7/692
2003/0234547	A1	*	12/2003	Bielecki et al.	294/7
2006/0162199	A1	*	7/2006	Kang et al.	40/446
2006/0255605	A1	*	11/2006	Yu	294/7
2008/0209738	A1	*	9/2008	Laufer	30/123.3

* cited by examiner

Primary Examiner — Terry Wallace

(74) *Attorney, Agent, or Firm* — Ted Sabety, Esq.; Sabety + Associates PLLC

(57) **CLAIM**

The ornamental design for a spatula, as shown and described.

DESCRIPTION

FIG. 1 is a top perspective view of the spatula showing my new design.

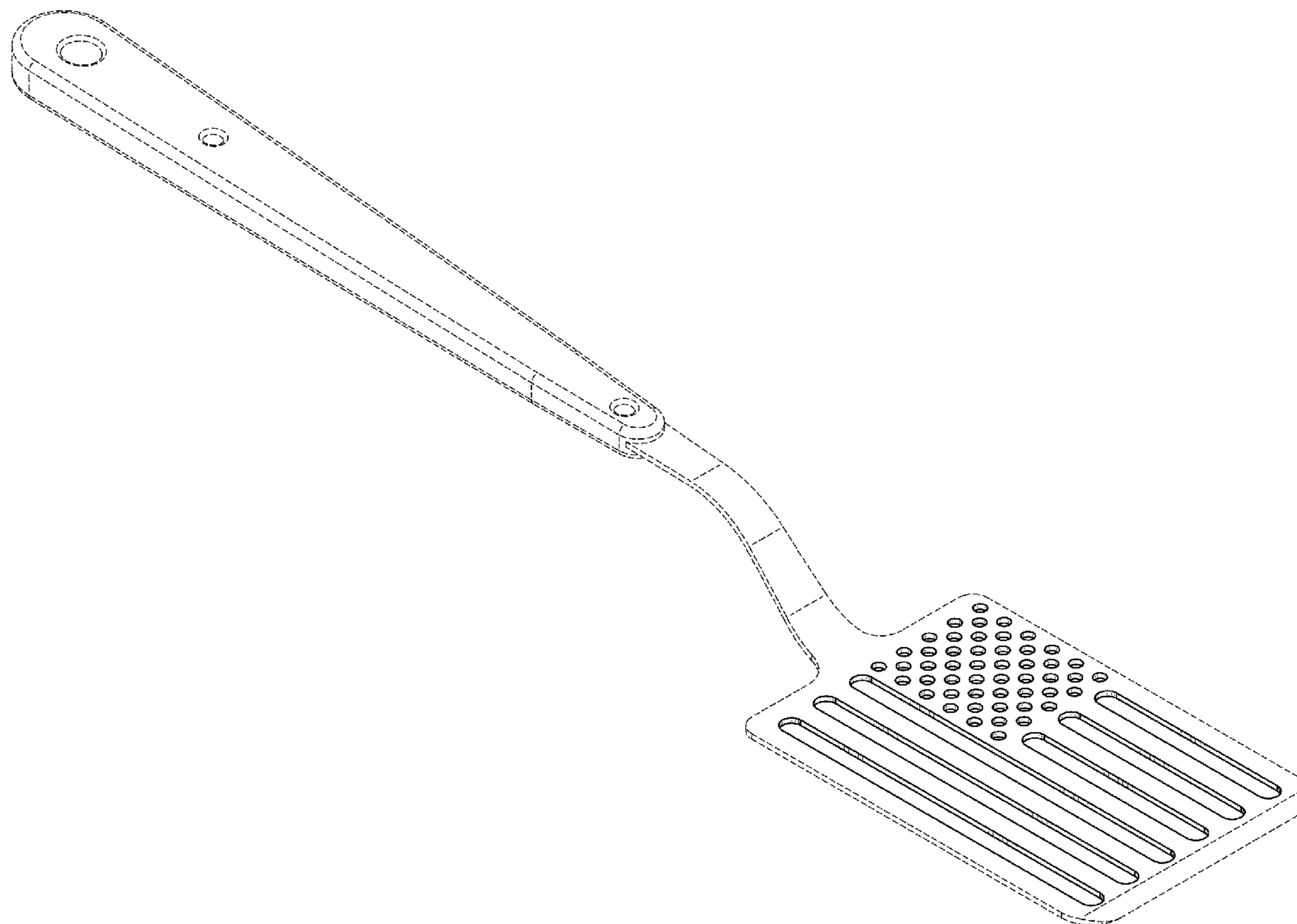
FIG. 2 is a bottom perspective view thereof.

FIG. 3 is a top plan view thereof; and,

FIG. 4 is a bottom plan view thereof.

The broken lines of the spatula design or portions thereof form no part of the claimed design.

1 Claim, 3 Drawing Sheets



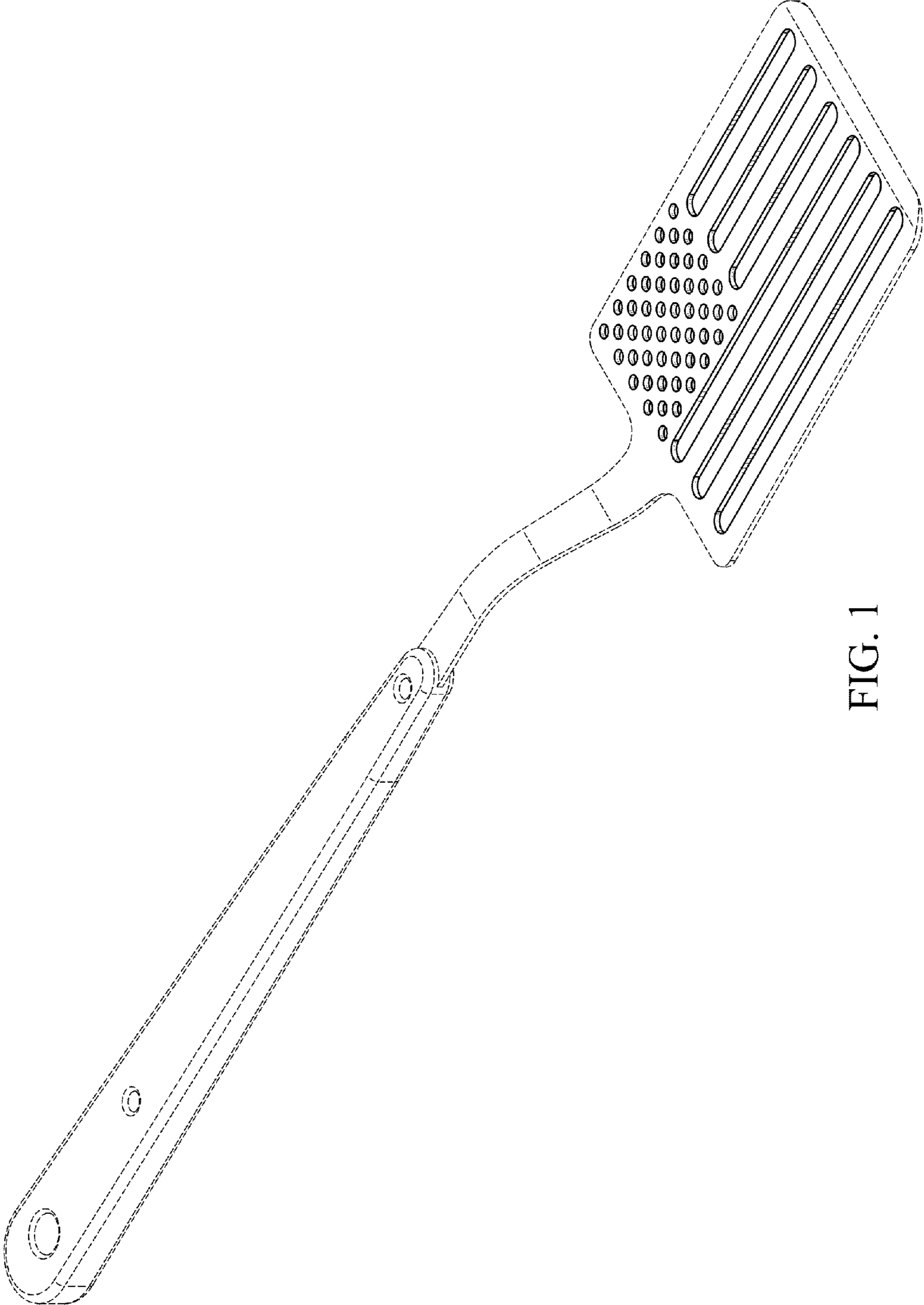


FIG. 1

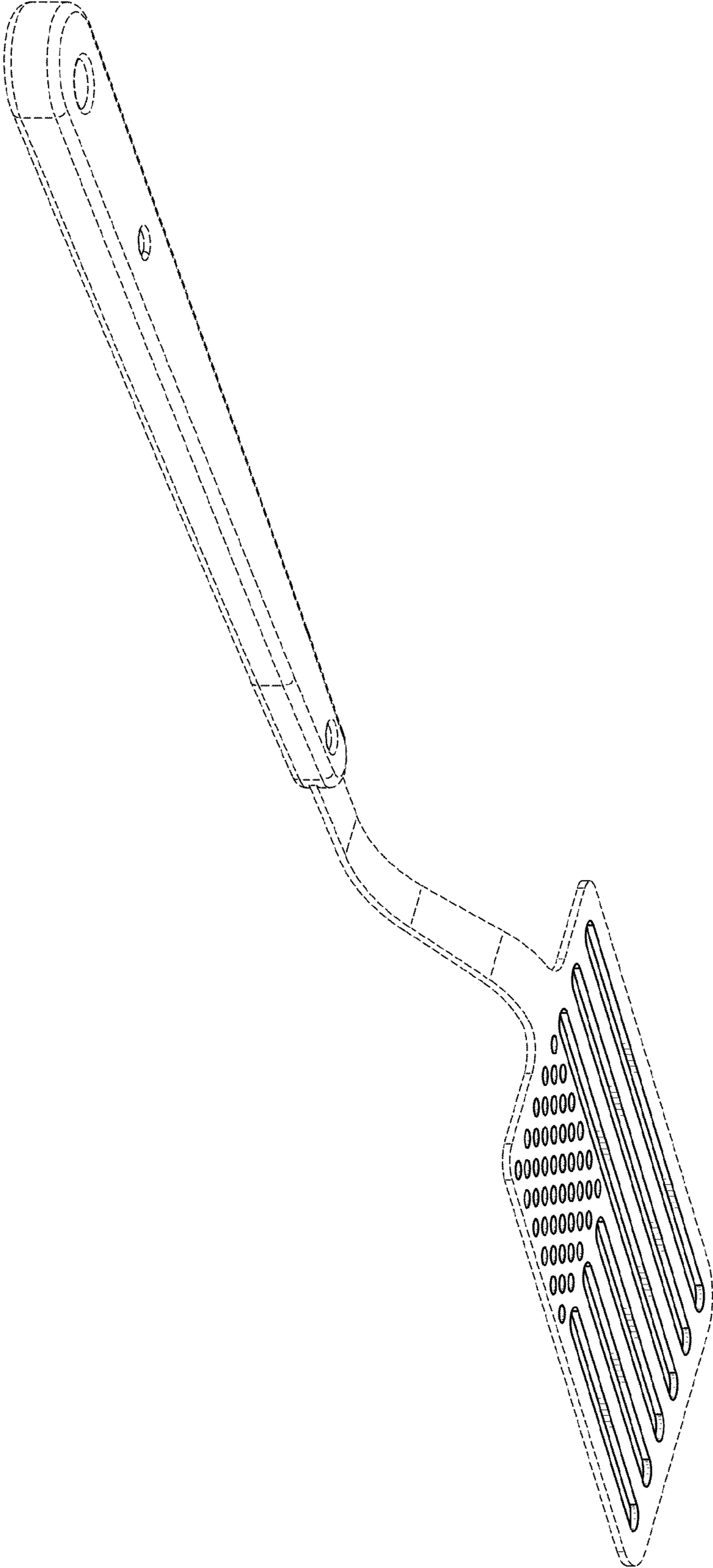


FIG. 2

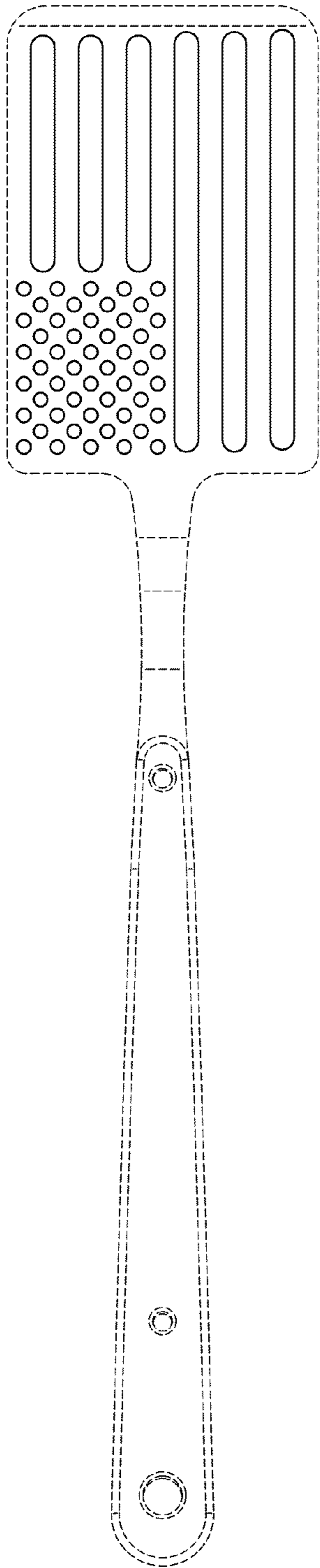


FIG. 3

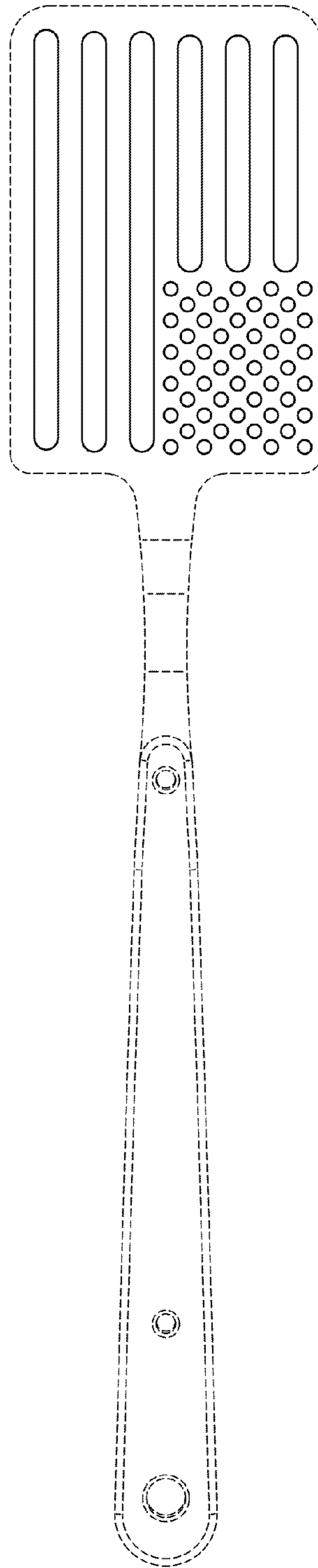


FIG. 4