



US00D699522S

(12) **United States Design Patent**
Wong

(10) **Patent No.:** **US D699,522 S**

(45) **Date of Patent:** **** Feb. 18, 2014**

(54) **FRUIT JUICER**

(71) Applicant: **Yan Kwong Wong**, Kowloon (HK)

(72) Inventor: **Yan Kwong Wong**, Kowloon (HK)

(**) Term: **14 Years**

(21) Appl. No.: **29/443,358**

(22) Filed: **Jan. 16, 2013**

(30) **Foreign Application Priority Data**

Jul. 16, 2012 (HK) 1201431

(51) **LOC (10) Cl.** **07-04**

(52) **U.S. Cl.**
USPC **D7/665**

(58) **Field of Classification Search**
USPC D7/665, 666, 400; 99/501–513,
99/495–497; 210/464, 470, 471–478
See application file for complete search history.

(56) **References Cited**

U.S. PATENT DOCUMENTS

2,212,328 A * 8/1940 Scurlock 99/497
2,801,658 A * 8/1957 Thomas 241/273.1

3,319,677 A * 5/1967 Bliss 99/508
5,088,392 A * 2/1992 Ancona et al. 99/499
5,743,423 A * 4/1998 Franco 220/23.86
D407,954 S * 4/1999 Lehn D7/665
6,265,010 B1 * 7/2001 Franco 426/420
6,539,848 B2 * 4/2003 Wang et al. 99/508
D484,754 S * 1/2004 Schuler D7/665
D534,826 S * 1/2007 Jossem et al. D7/665
7,337,711 B2 * 3/2008 Holcomb et al. 99/508
2011/0219959 A1 * 9/2011 Hauser 99/508

* cited by examiner

Primary Examiner — Terry Wallace

(74) *Attorney, Agent, or Firm* — Howard C. Miskin; Gloria Tsui-Yip

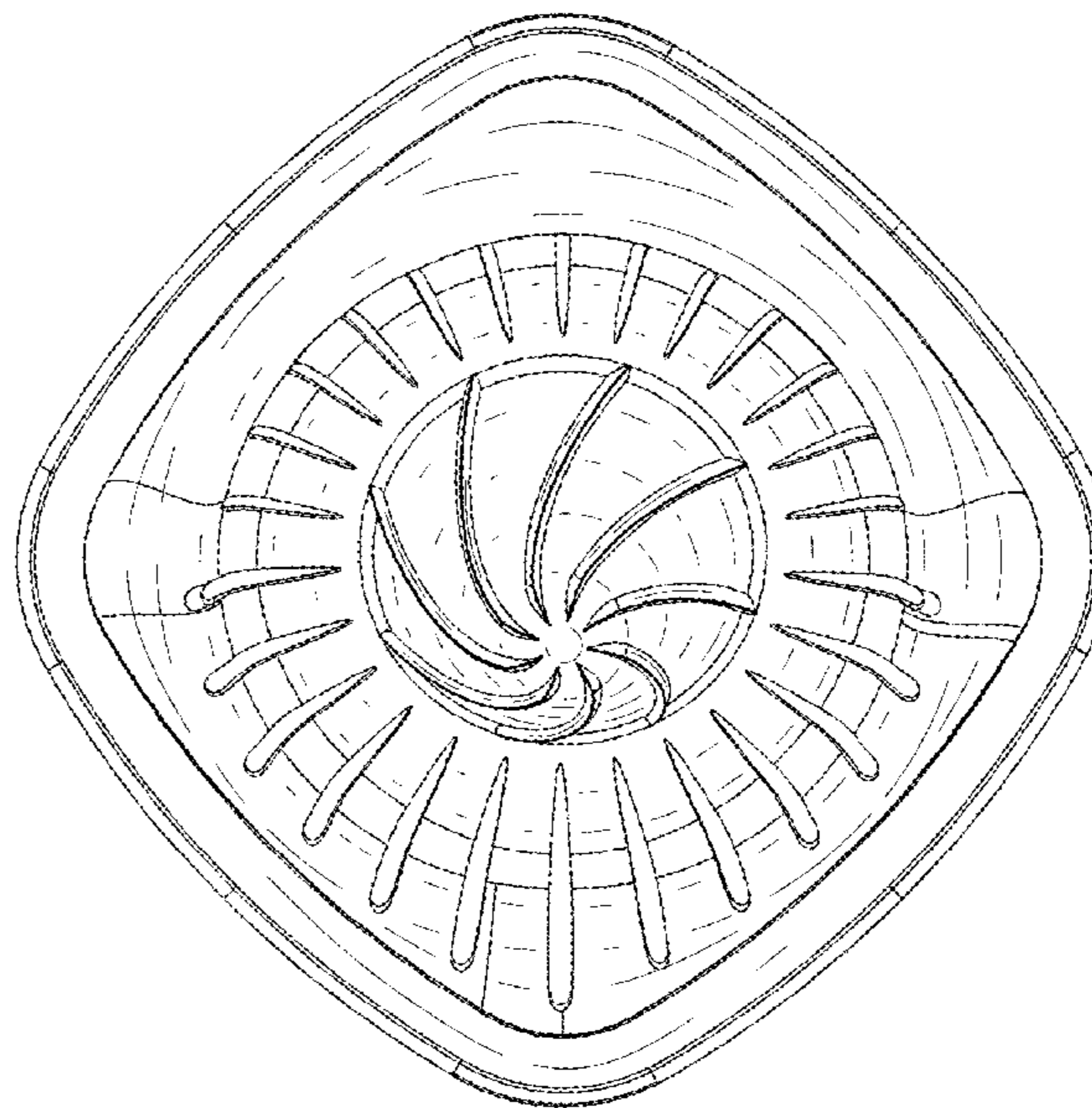
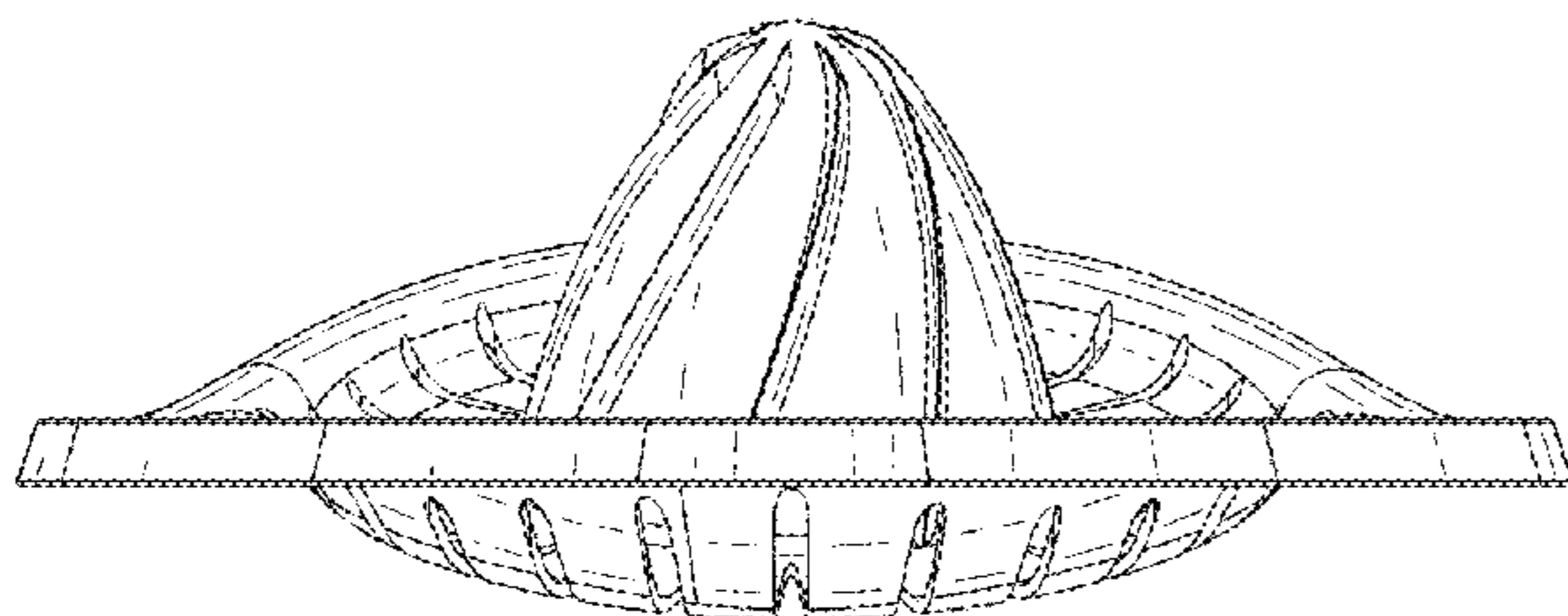
(57) **CLAIM**

The ornamental design for a fruit juicer, as shown and described.

DESCRIPTION

FIG. 1 is a front elevational view of my new design;
FIG. 2 is a top plan view thereof;
FIG. 3 is a rear elevational view thereof;
FIG. 4 is a bottom plan view thereof;
FIG. 5 is a right side view thereof;
FIG. 6 is a left side view thereof; and,
FIG. 7 is a perspective view thereof.

1 Claim, 4 Drawing Sheets



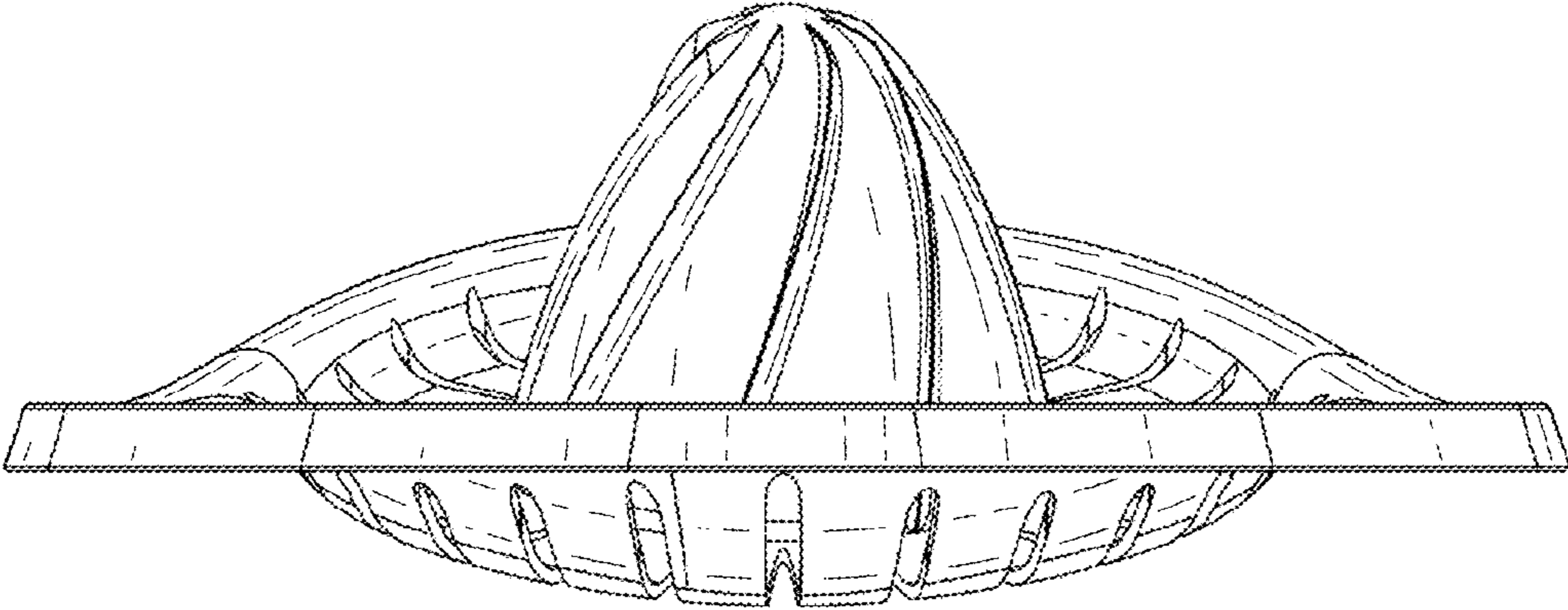


Fig.1

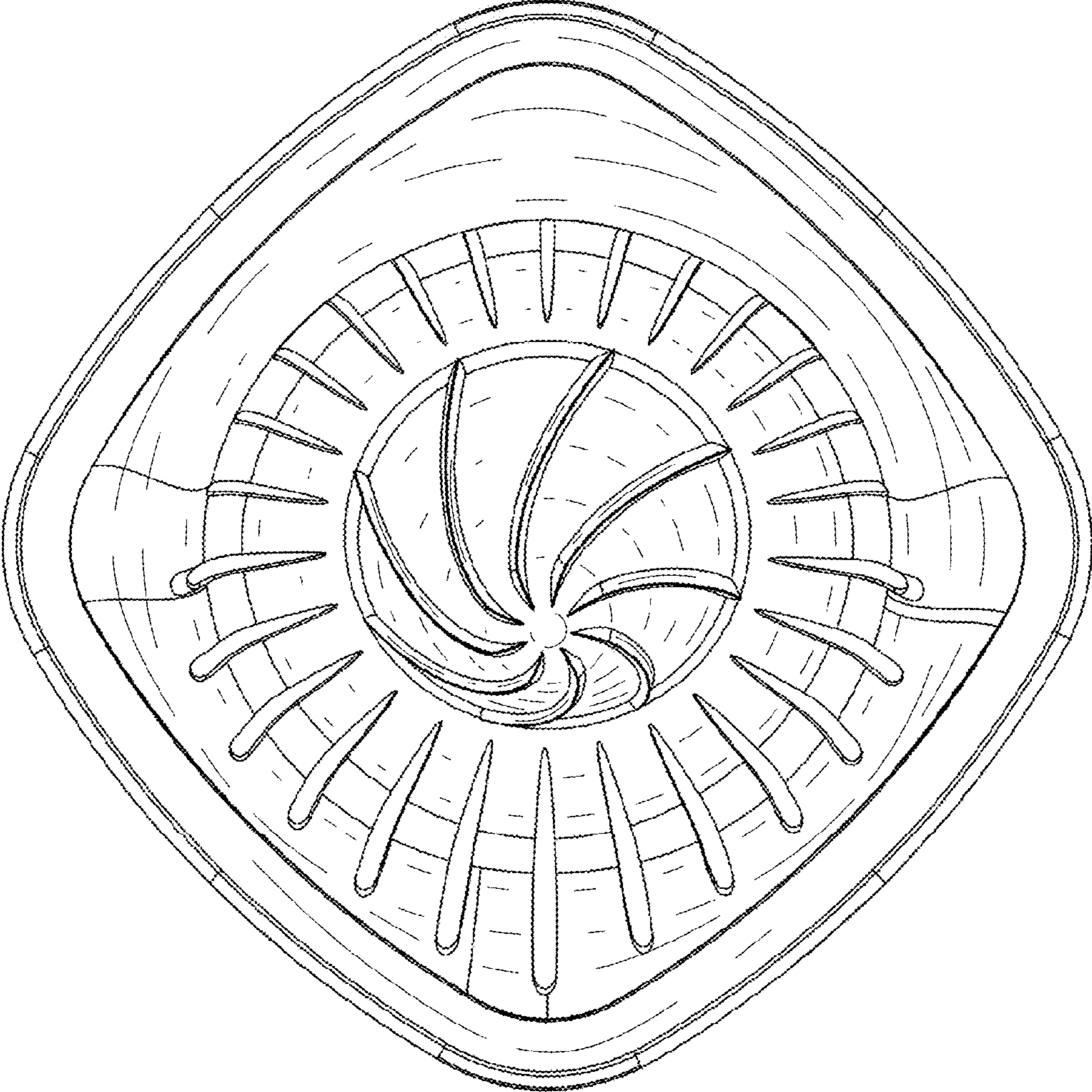


Fig.2

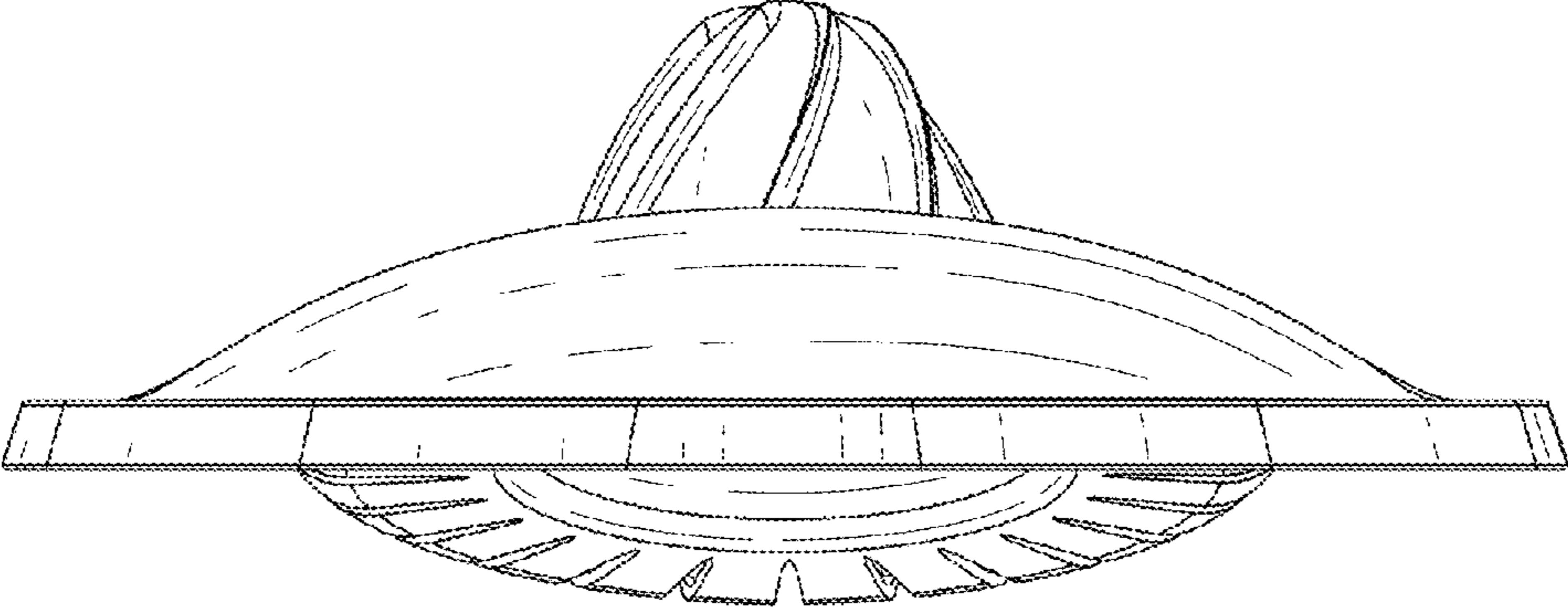


Fig.3

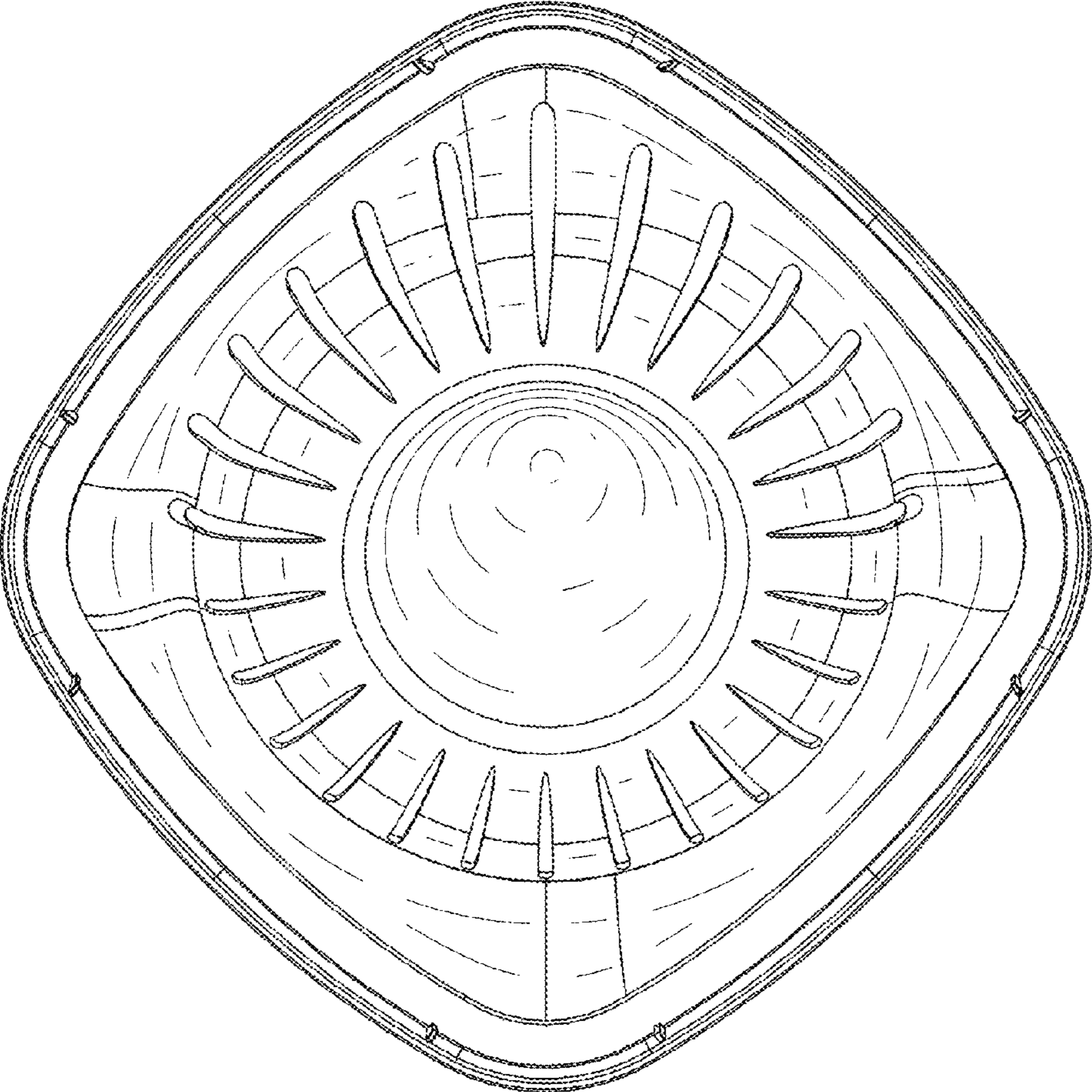


Fig.4

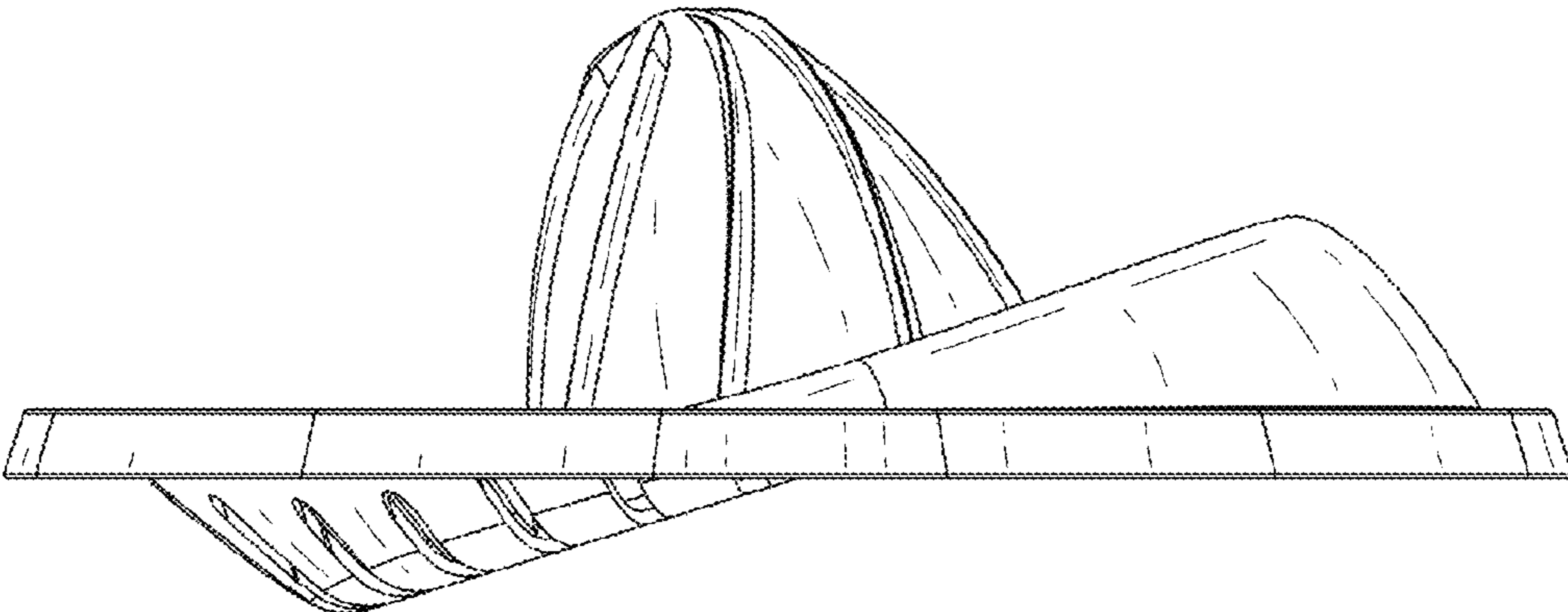


Fig.5

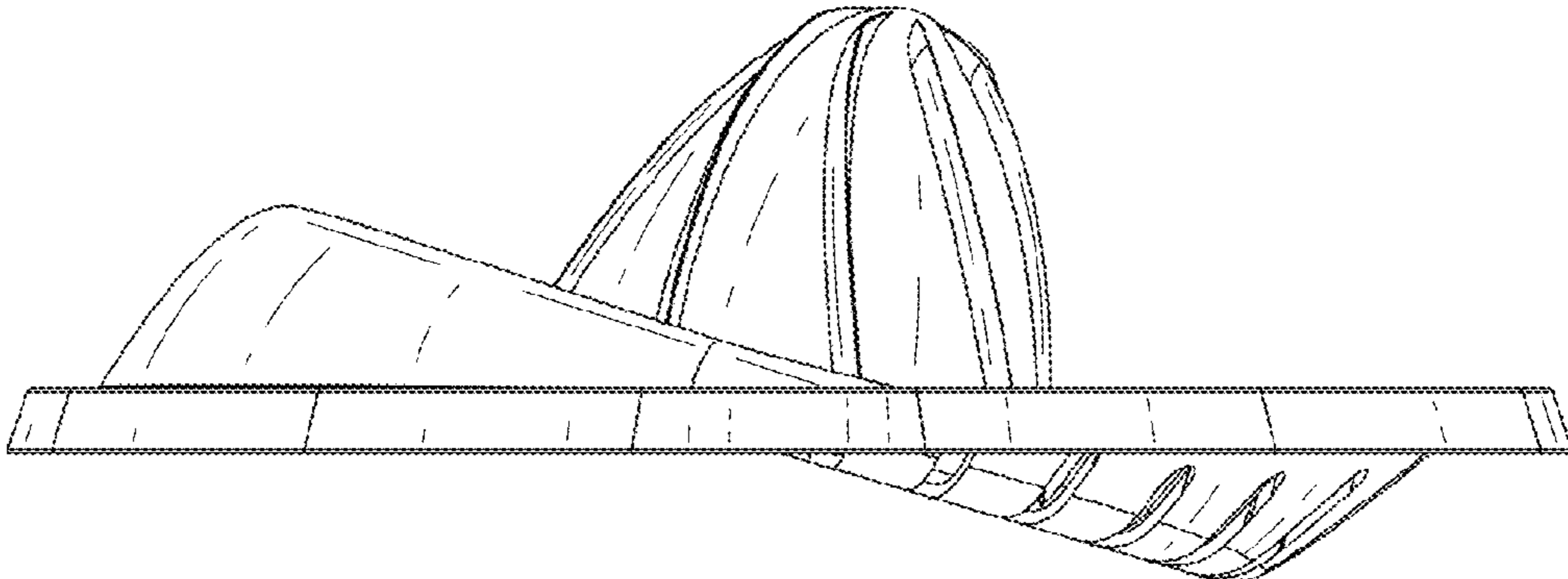


Fig.6

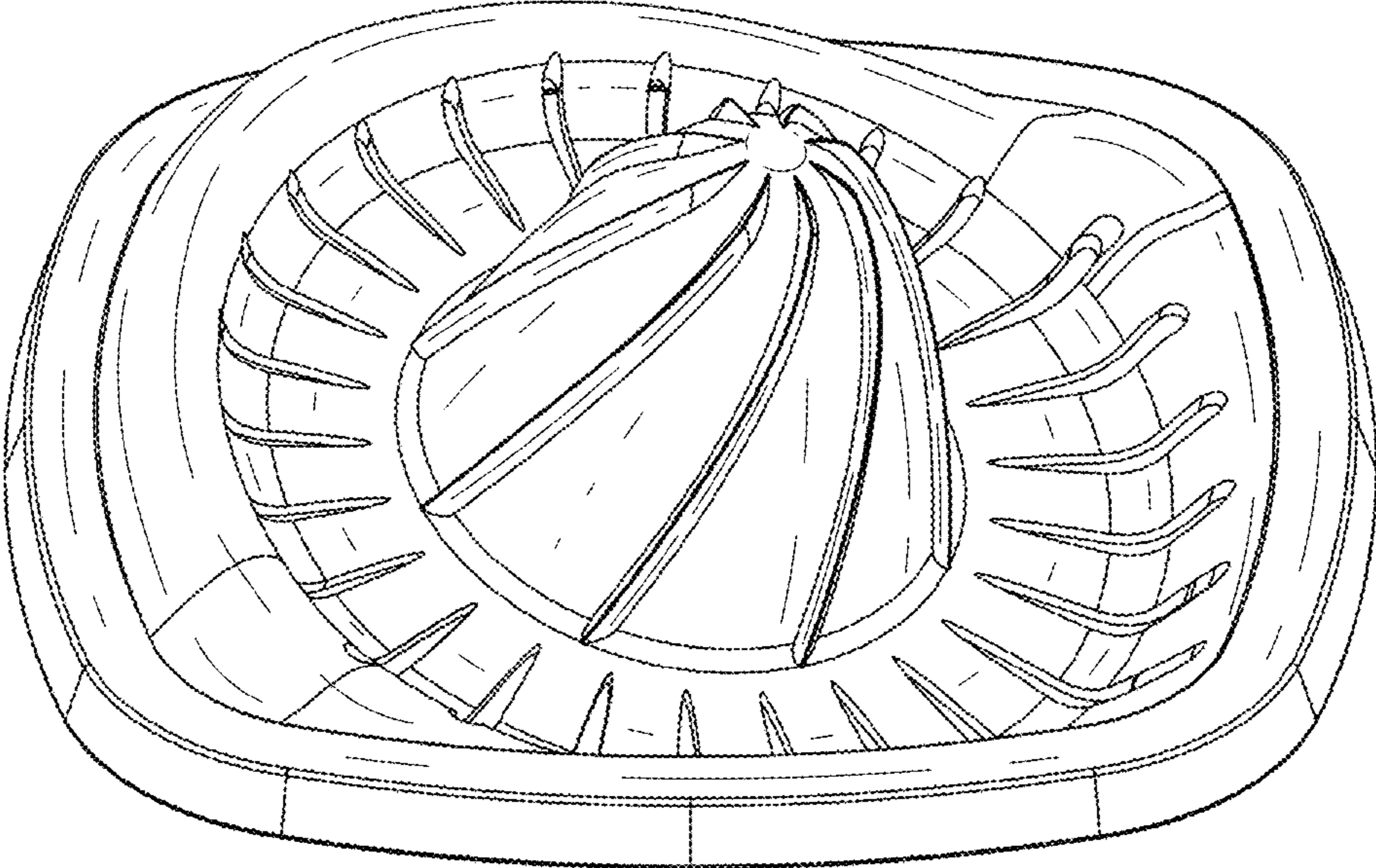


Fig.7