



US00D699521S

(12) **United States Design Patent**
Wu

(10) **Patent No.:** **US D699,521 S**

(45) **Date of Patent:** **** Feb. 18, 2014**

(54) **JUICE EXTRACTOR**

(71) Applicant: **Mincai Wu**, GuangZhou (CN)

(72) Inventor: **Mincai Wu**, GuangZhou (CN)

(**) Term: **14 Years**

(21) Appl. No.: **29/439,926**

(22) Filed: **Dec. 17, 2012**

(51) **LOC (10) Cl.** **31-00**

(52) **U.S. Cl.**
USPC **D7/665**

(58) **Field of Classification Search**
USPC D7/665, 666, 412, 376-384; 241/92,
241/100, 282.1, 101.1-101.7, 285.1-285.3;
99/501-513, 495, 499, 348, 357, 349,
99/369, 370; 366/98, 142, 197-211,
366/241-254, 279-292, 341-347; 100/213,
100/218, 283, 288

See application file for complete search history.

(56) **References Cited**

U.S. PATENT DOCUMENTS

D151,822 S * 11/1948 Hammers D7/665
D153,645 S * 5/1949 Stiles D7/665

D159,469 S * 8/1950 Bennett D7/665
5,088,392 A * 2/1992 Ancona et al. 99/499
D366,398 S * 1/1996 Alessi Anghini et al. D7/665
D399,709 S * 10/1998 Lee D7/665
D472,775 S * 4/2003 Schwamkrug D7/665
D521,815 S * 5/2006 Fung D7/665
D537,303 S * 2/2007 Stuckey D7/665

* cited by examiner

Primary Examiner — Terry Wallace

(74) *Attorney, Agent, or Firm* — Lucas & Mercanti, LLP

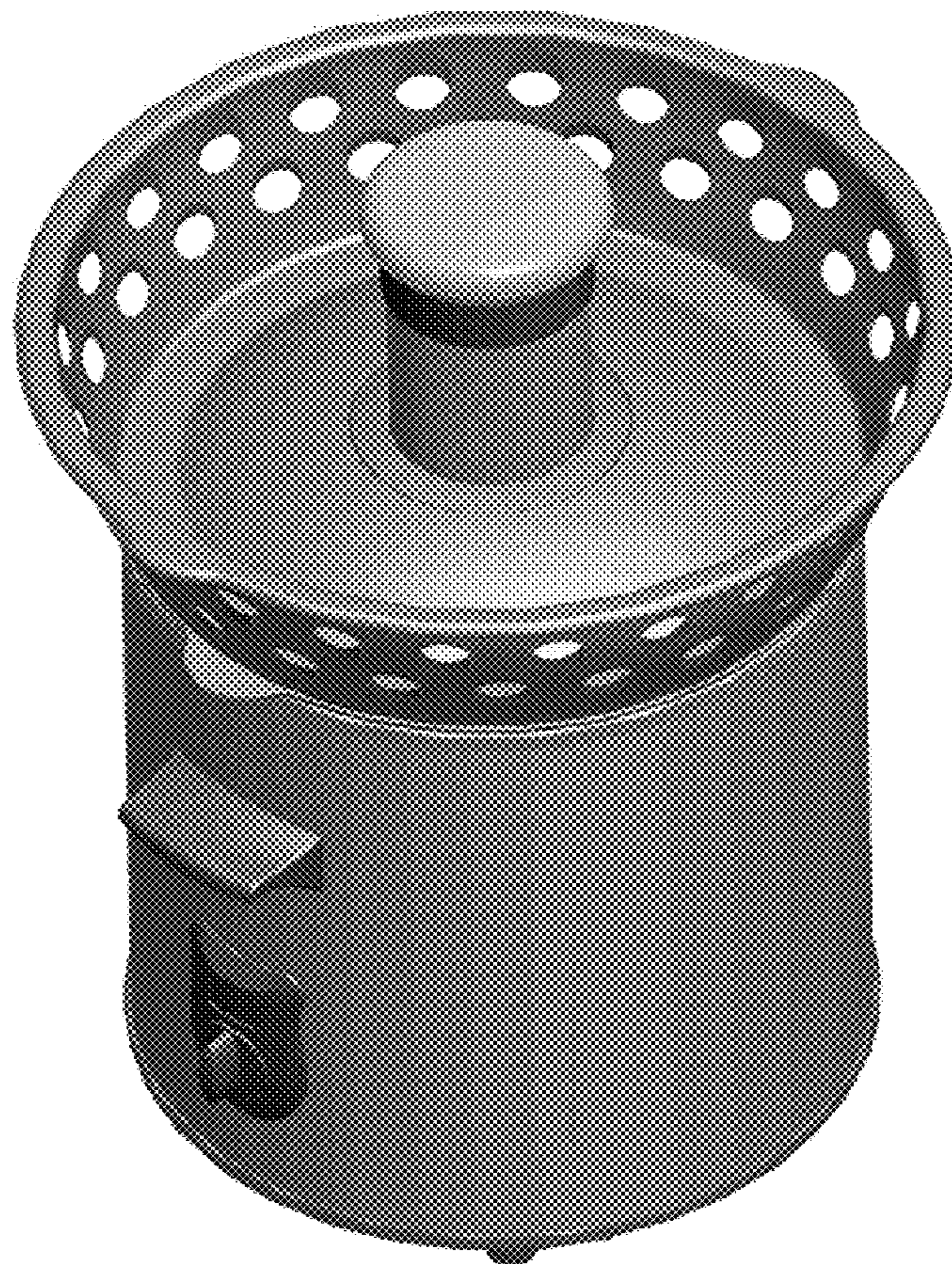
(57) **CLAIM**

The ornamental design for a juice extractor, as shown and described.

DESCRIPTION

FIG. 1 is a front view of a juice extractor;
FIG. 2 is a rear view of the juice extractor;
FIG. 3 is a right side view of the juice extractor;
FIG. 4 is a left side view of the juice extractor;
FIG. 5 is a perspective view of the juice extractor;
FIG. 6 is a top view of the juice extractor; and,
FIG. 7 is a bottom view of the juice extractor.

1 Claim, 7 Drawing Sheets



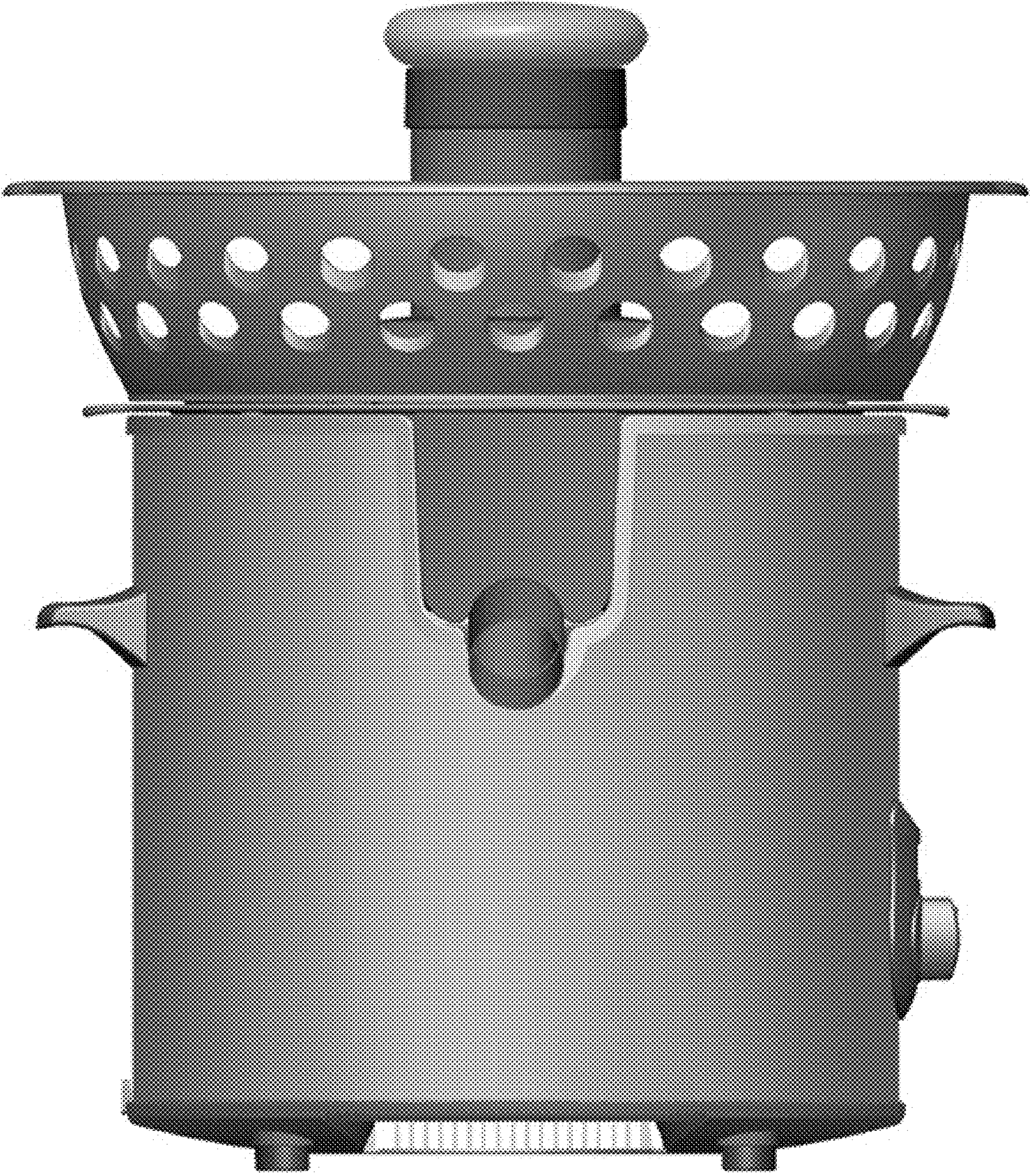


FIG. 1

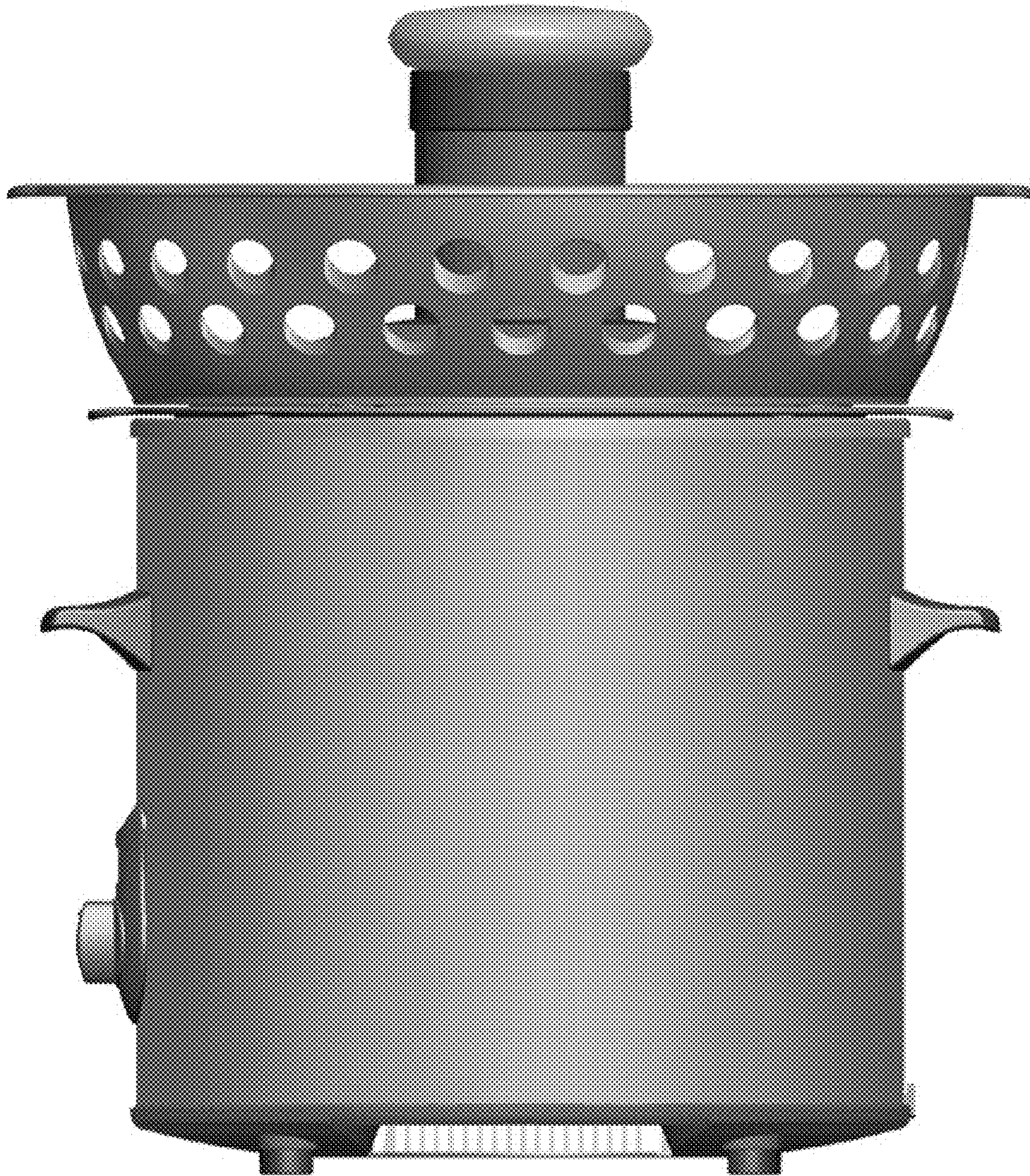


FIG. 2



FIG. 3



FIG. 4

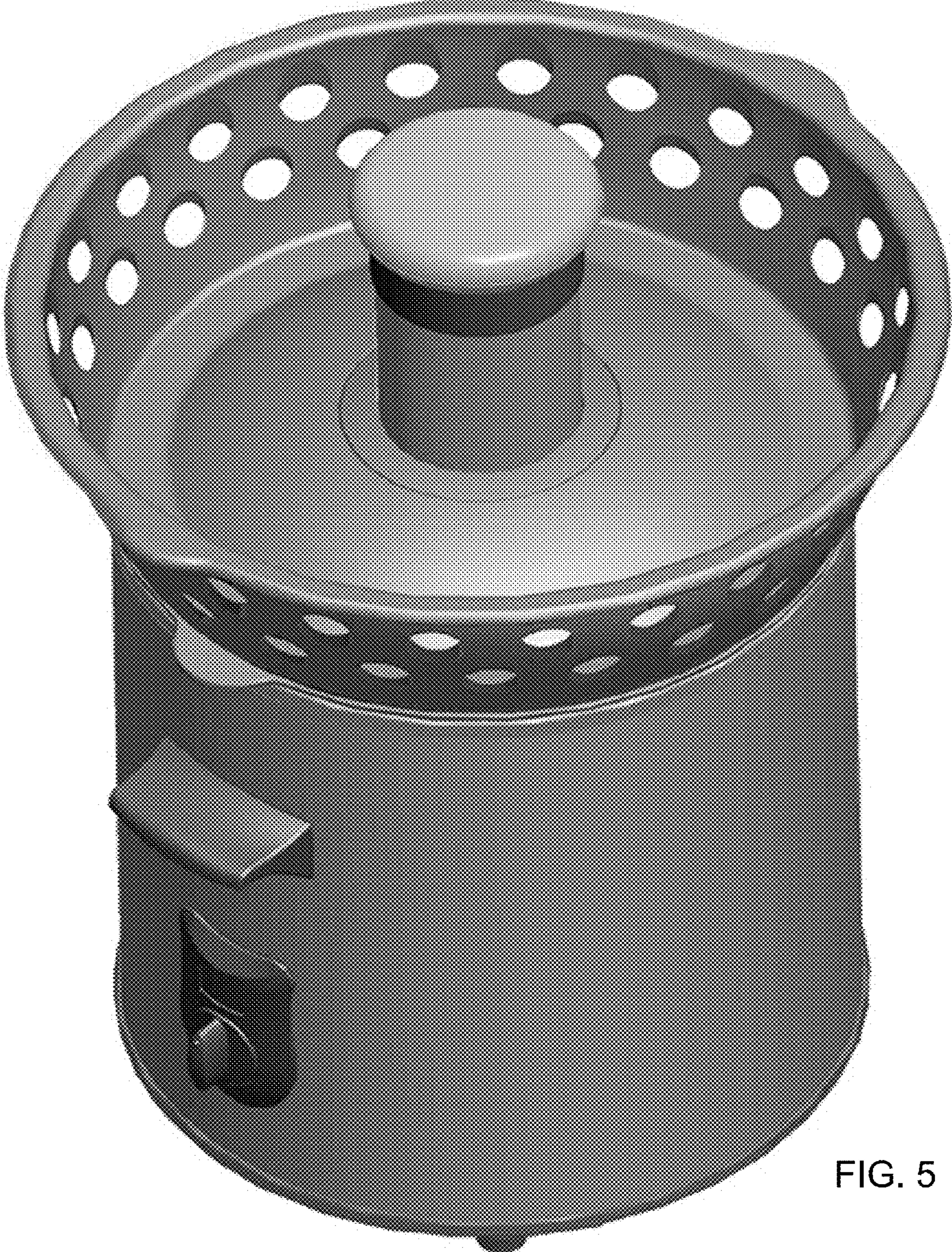


FIG. 5



FIG. 6

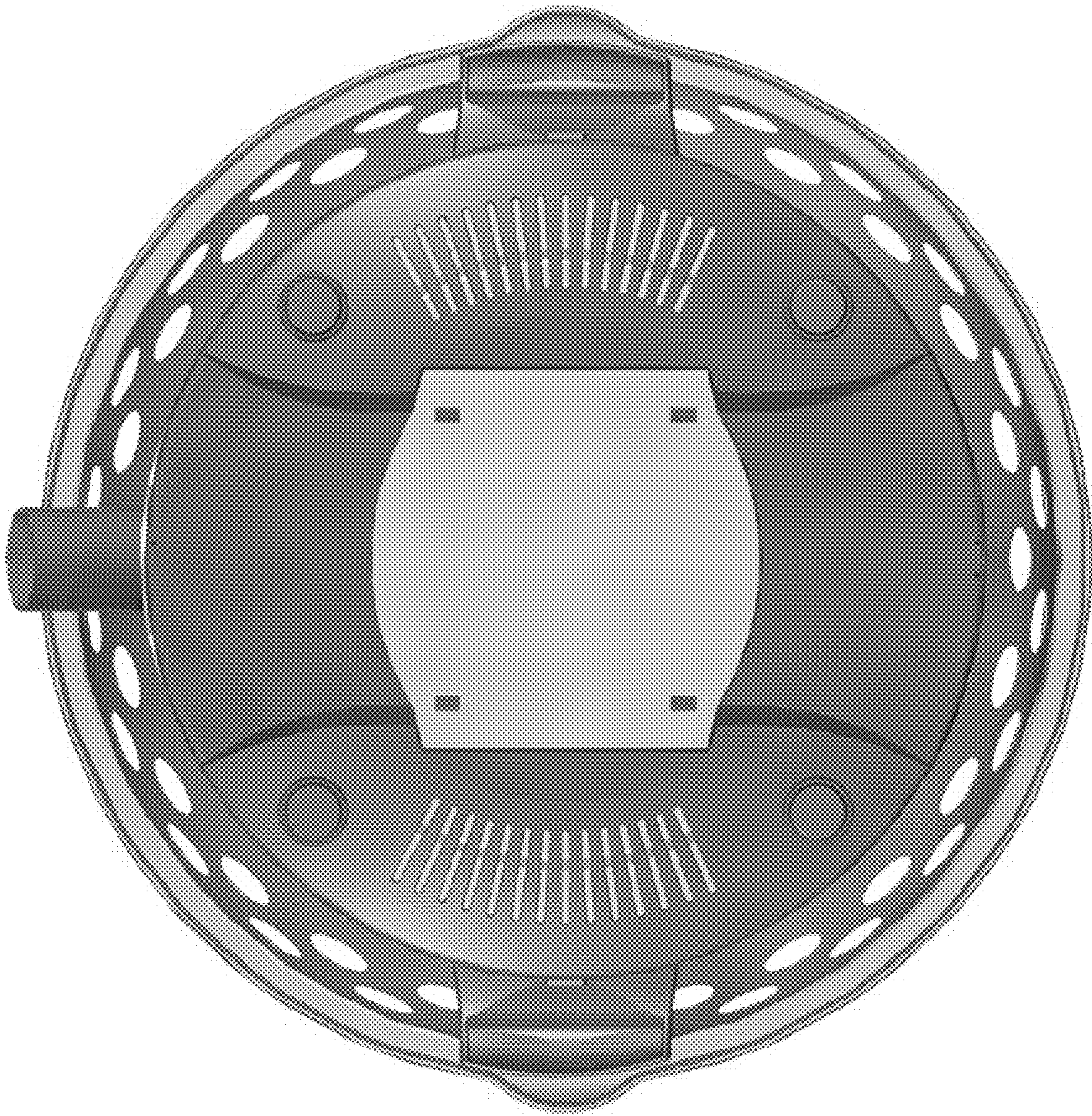


FIG. 7