



US00D699520S

(12) **United States Design Patent**
Belitz

(10) **Patent No.:** **US D699,520 S**
(45) **Date of Patent:** **** Feb. 18, 2014**

(54) **CUP HOLDER FOR WINCH**

(76) Inventor: **Richard G. Belitz**, La Mesa, CA (US)

(**) Term: **14 Years**

(21) Appl. No.: **29/415,563**

(22) Filed: **Mar. 12, 2012**

Related U.S. Application Data

(62) Division of application No. 29/333,958, filed on Mar. 18, 2009, now Pat. No. Des. 667,277.

(51) **LOC (10) Cl.** **07-06**

(52) **U.S. Cl.**
USPC **D7/619.1**

(58) **Field of Classification Search**
USPC D7/619.1, 619.2-624.3, 605-608;
D12/411, 419, 420; D6/531, 535;
248/483, 309.1, 311.2, 312, 314, 310,
248/346.1; 215/393-396; 141/106, 364,
141/369, 375; 211/71, 74, 75; 220/737,
220/739; D34/33

See application file for complete search history.

(56) **References Cited**

U.S. PATENT DOCUMENTS

| | | | | | |
|-----------|-----|---------|---------------|-------|------------|
| 2,740,545 | A * | 4/1956 | Bates | | 215/394 |
| 2,782,948 | A * | 2/1957 | Steinberg | | 215/393 |
| D191,124 | S * | 8/1961 | Barron et al. | | D7/540 |
| D226,350 | S * | 2/1973 | Shames | | D6/531 |
| D257,931 | S * | 1/1981 | Conti | | D7/584 |
| D271,150 | S * | 10/1983 | Cavanagh | | D34/33 |
| D286,361 | S * | 10/1986 | Zieff | | D7/624.1 |
| 4,759,524 | A * | 7/1988 | Anderson | | 248/346.11 |
| D304,658 | S * | 11/1989 | Mattei | | D7/505 |
| D360,112 | S * | 7/1995 | McEntee | | D7/584 |
| D361,017 | S * | 8/1995 | Keven | | D7/619.1 |
| D370,392 | S * | 6/1996 | Flanagan | | D7/619.1 |

| | | | | | |
|--------------|------|---------|-----------------|-------|-----------|
| D415,095 | S * | 10/1999 | Goldsmith | | D12/317 |
| D419,393 | S * | 1/2000 | Lance | | D7/619.1 |
| D488,741 | S * | 4/2004 | Moya | | D11/143 |
| D505,595 | S * | 5/2005 | Kujawski et al. | | D7/619.1 |
| D527,224 | S * | 8/2006 | Roth et al. | | D7/540 |
| D527,955 | S * | 9/2006 | Shibata et al. | | D7/620 |
| D564,302 | S * | 3/2008 | Freeman | | D7/605 |
| D608,155 | S * | 1/2010 | Jeffries | | D7/603 |
| D622,108 | S * | 8/2010 | McKnight | | D7/619.1 |
| D637,460 | S * | 5/2011 | Tussy | | D7/624.1 |
| D669,315 | S * | 10/2012 | Schewe et al. | | D7/619.1 |
| D669,354 | S * | 10/2012 | Davis et al. | | D9/454 |
| 2006/0081750 | A1 * | 4/2006 | Kazyaka | | 248/311.2 |

* cited by examiner

Primary Examiner — Ian Simmons

Assistant Examiner — Carissa C Fitts

(74) *Attorney, Agent, or Firm* — Richard D. Clarke

(57) **CLAIM**

I claim the ornamental design for a cup holder for winch, as shown and described.

DESCRIPTION

FIG. 1 is a side elevation view of the cup holder for winch, shown in place on a winch, having a cup therein;

FIG. 2 is a bottom and side perspective view of the cup holder for winch;

FIG. 3 is a top and side perspective view of the cup holder for winch;

FIG. 4 is bottom view of the cup holder for winch;

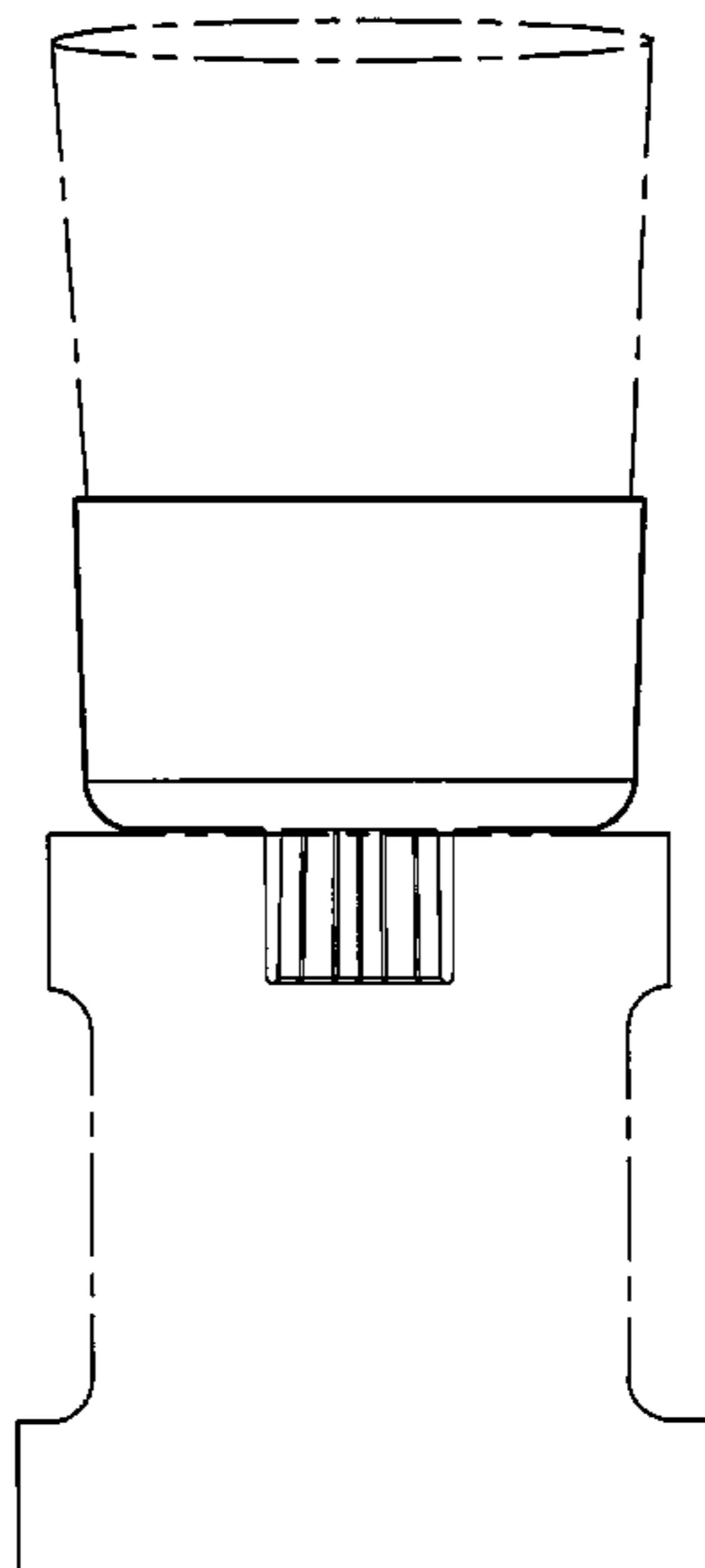
FIG. 5 is top plan view of the cup holder for winch;

FIG. 6 is side elevation view of the cup holder for winch; and,

FIG. 7 is a bottom and side perspective view of the cup holder for winch.

The broken line drawing of the winch and cup in FIG. 1 is included for the purpose of illustrating environment only and forms no part of the claimed design.

1 Claim, 4 Drawing Sheets



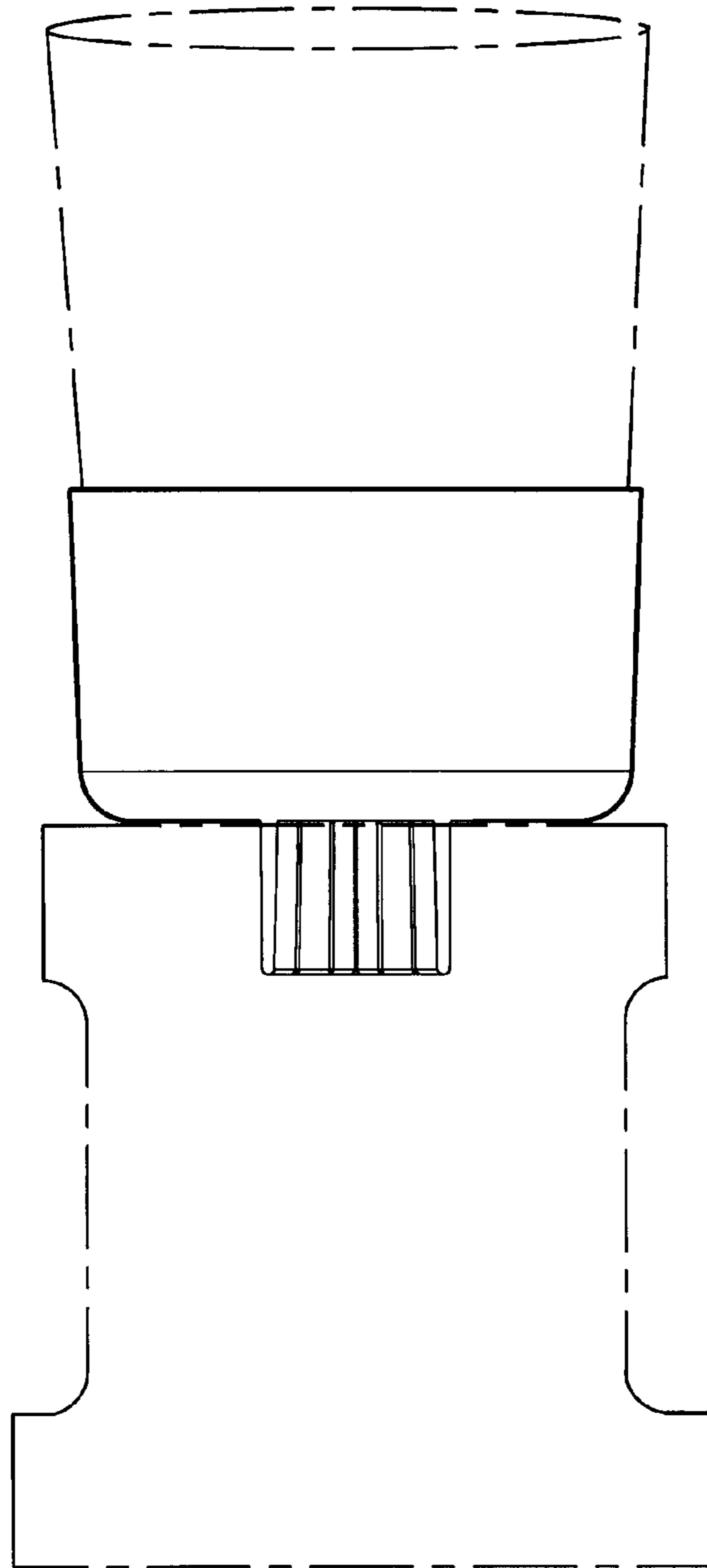


FIG. 1

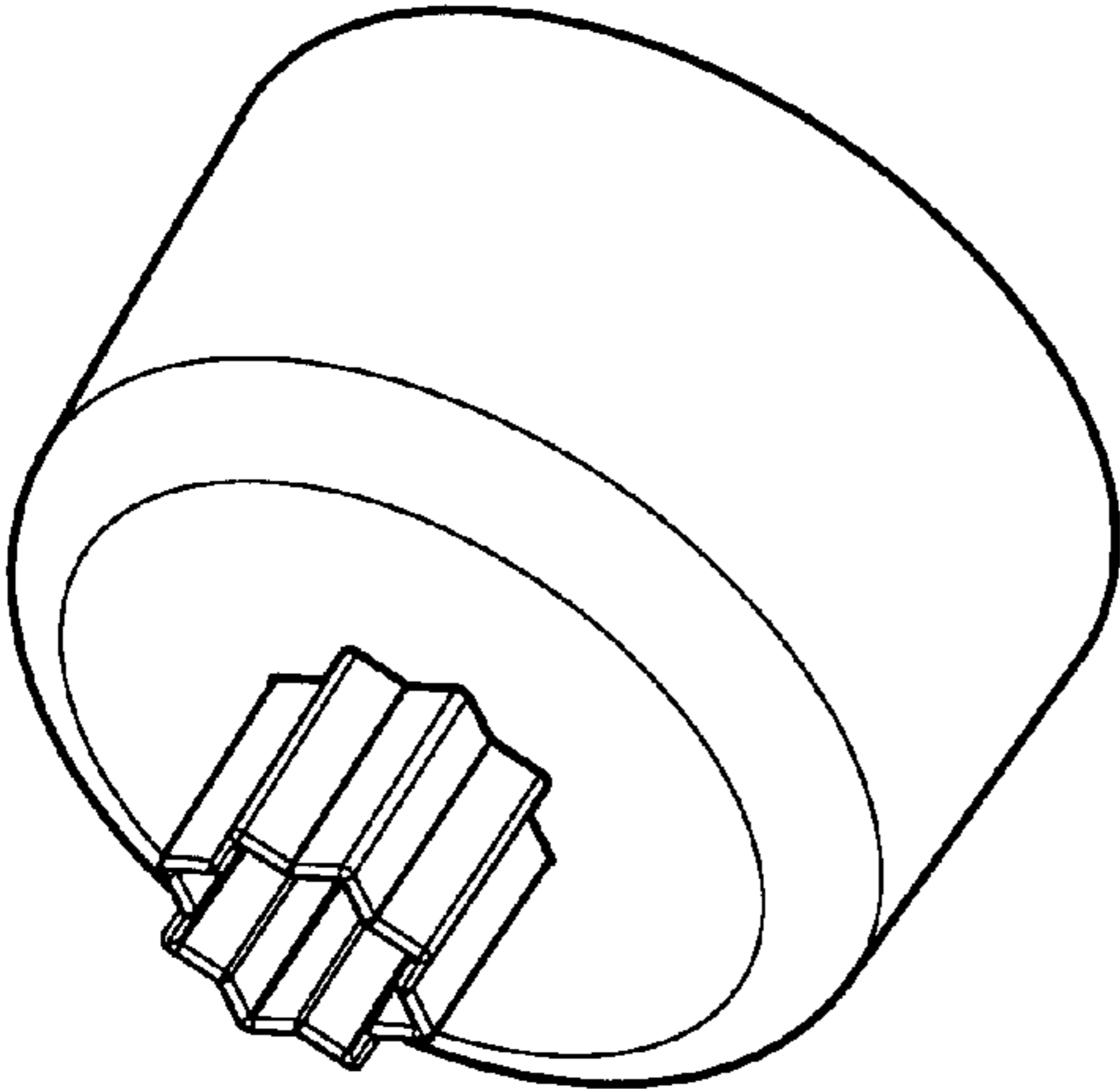


FIG. 2

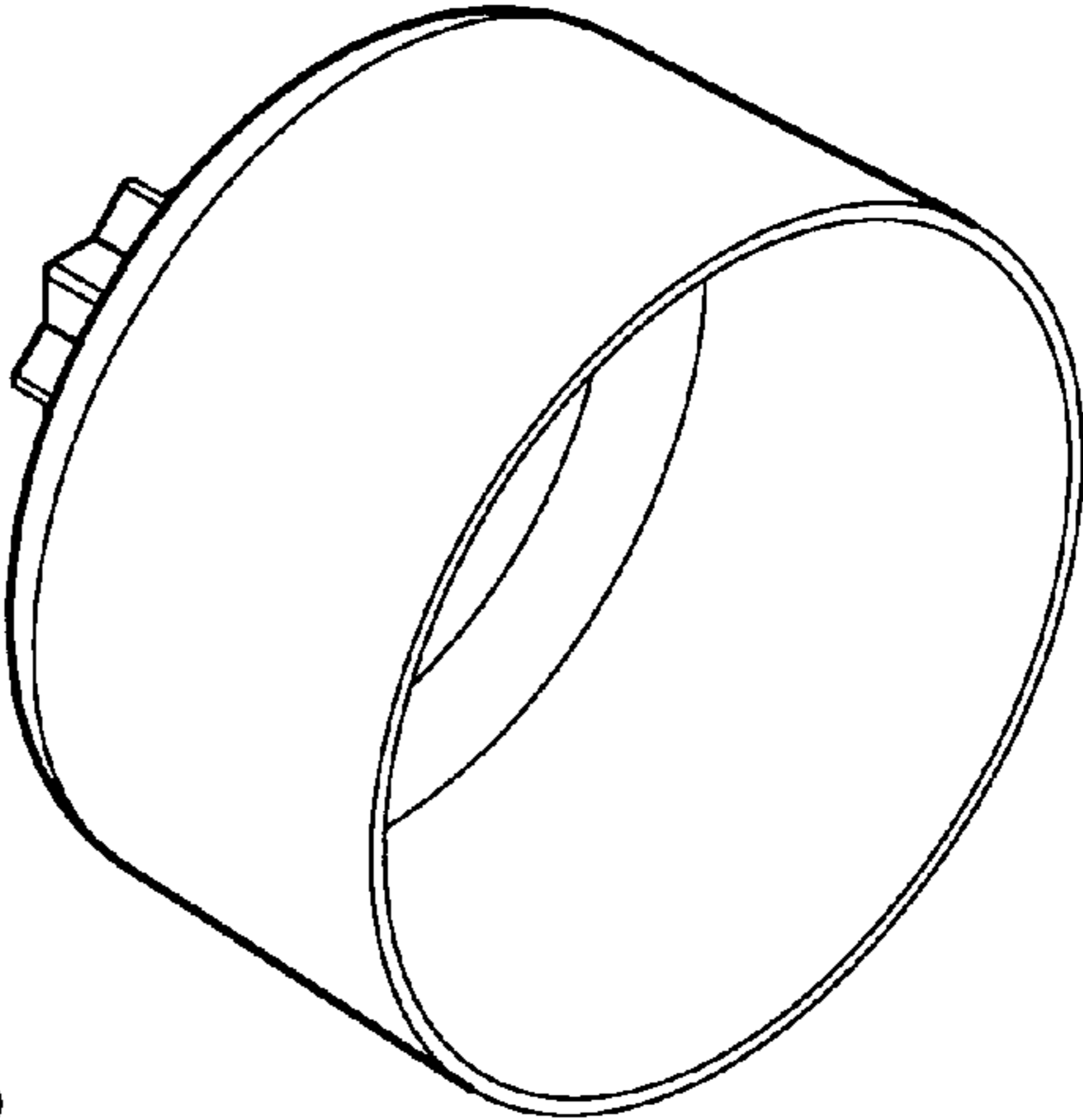


FIG. 3

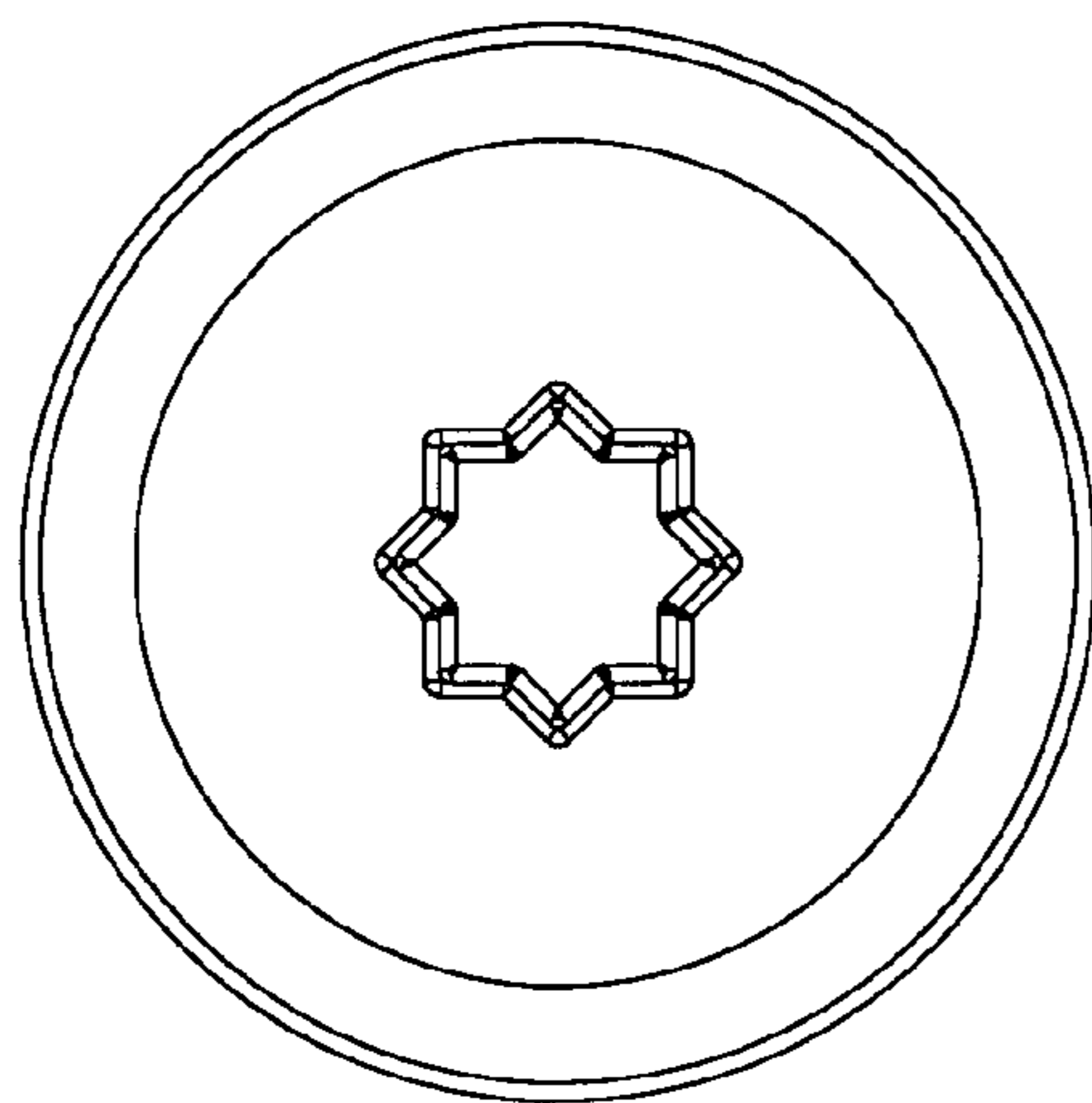


FIG. 4

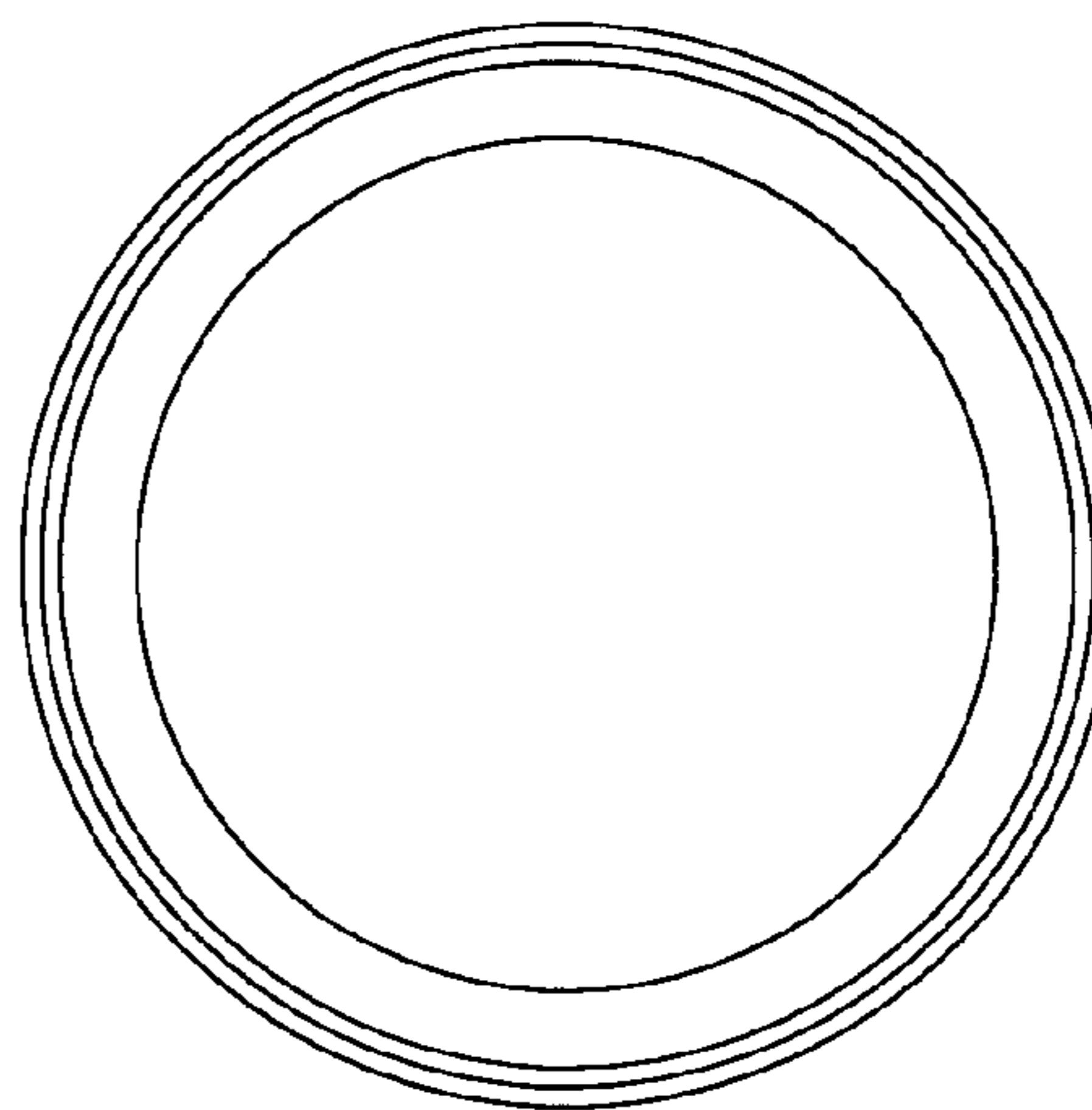


FIG. 5

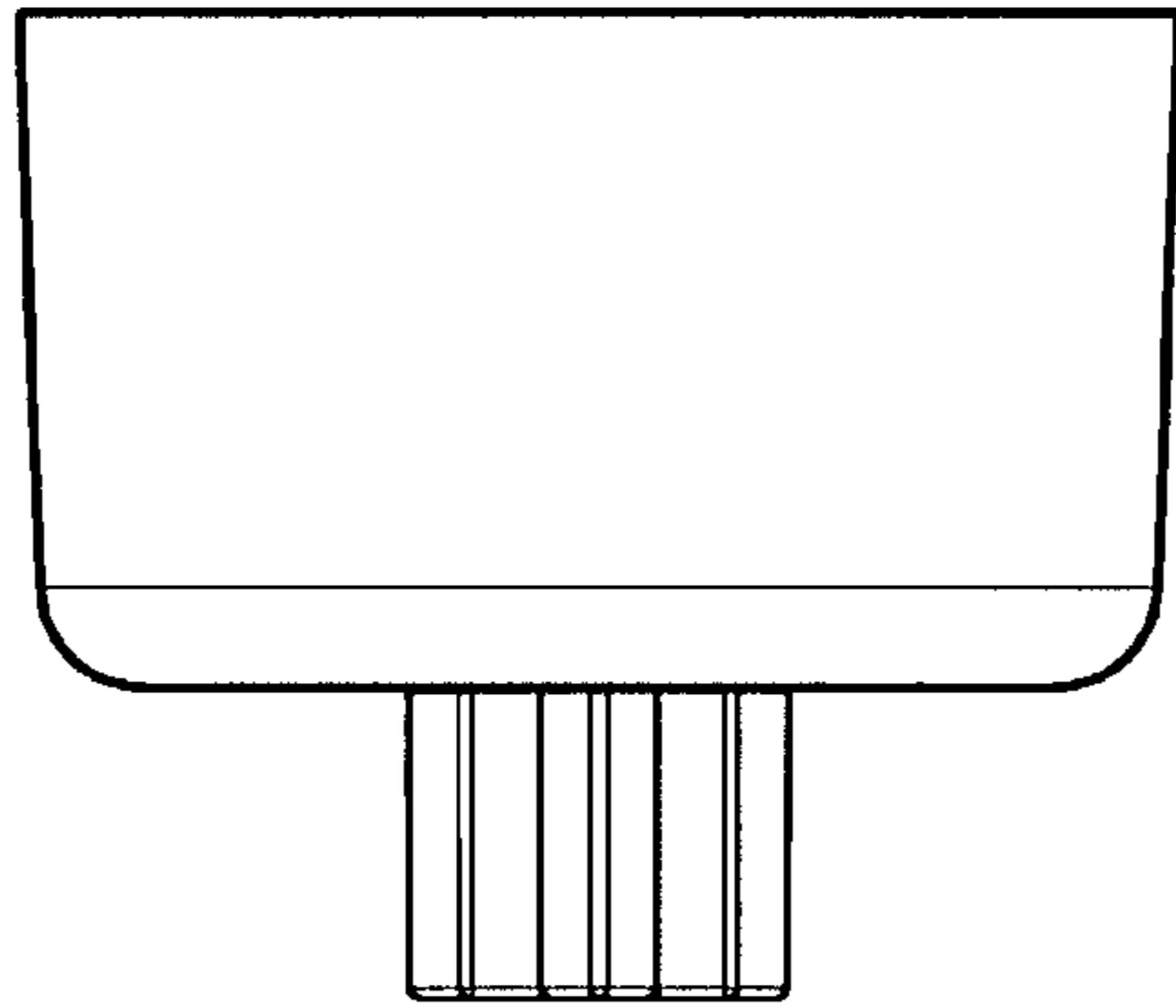


FIG. 6

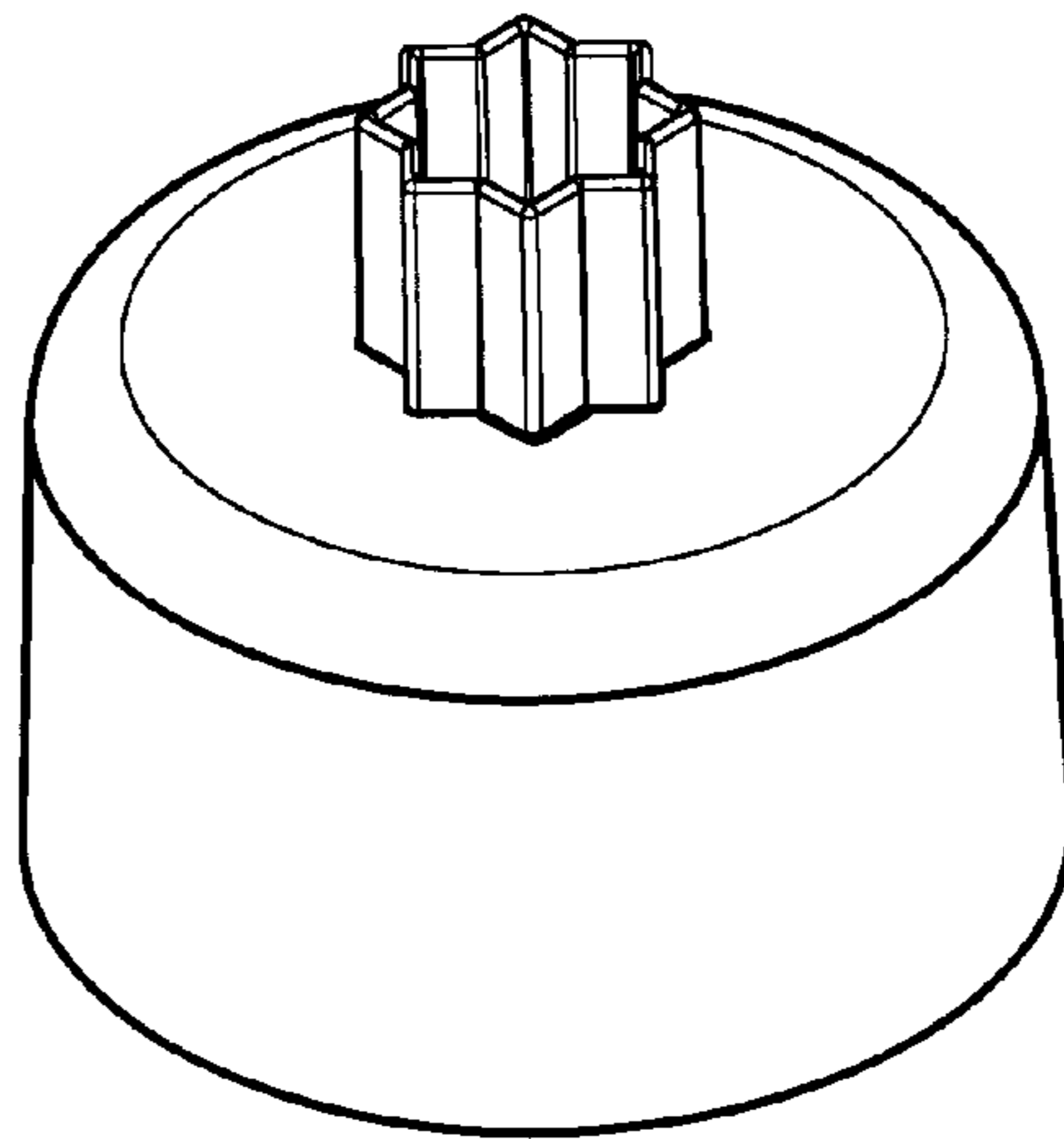


FIG. 7