



US00D699517S

(12) **United States Design Patent**  
**Ong**

(10) **Patent No.:** **US D699,517 S**

(45) **Date of Patent:** **\*\* Feb. 18, 2014**

(54) **MULTI-COMPARTMENT FOOD PREPARATION CONTAINER**

(76) Inventor: **Michael Ong**, Union City, CA (US)

(\*\*) Term: **14 Years**

(21) Appl. No.: **29/416,400**

(22) Filed: **Mar. 21, 2012**

(51) **LOC (10) Cl.** ..... **07-01**

(52) **U.S. Cl.**  
USPC ..... **D7/587; D7/586**

(58) **Field of Classification Search**

USPC ..... D7/587, 601, 607, 507, 500, 584, 552.1,  
D7/551.1, 553.8, 586; 229/114, 123.1;  
D9/705; D3/202, 229; 220/505, 553,  
220/555, 556

See application file for complete search history.

(56) **References Cited**

**U.S. PATENT DOCUMENTS**

185,791	A	12/1876	Smith et al.	
1,238,830	A	9/1917	Schuster et al.	
3,106,314	A	10/1963	Spears	
3,429,474	A	2/1969	Cann	
D219,675	S	1/1971	Davis	
D222,682	S *	11/1971	Douglas	D7/554.2
4,061,242	A	12/1977	Donlon	
D277,234	S *	1/1985	Bank	D1/122
D283,386	S *	4/1986	Mansueto	D7/513
D283,476	S *	4/1986	Mansueto	D7/513
4,626,438	A *	12/1986	Glantz	426/438
D295,009	S *	4/1988	Mansueto	D7/513
D295,010	S	4/1988	Mansueto	
5,487,486	A	1/1996	Meneo	
5,490,608	A	2/1996	Hawkins	
5,499,763	A *	3/1996	DeMars	229/114
D373,707	S	9/1996	Seaburg	
D376,893	S *	12/1996	Gornet	D1/122
6,006,936	A	12/1999	Przybylowicz	
D421,462	S	3/2000	Orchanian	
D425,685	S *	5/2000	Kitslaar	D1/122

D499,306	S *	12/2004	Laib	D7/586
D567,592	S *	4/2008	Fite et al.	D7/568
D623,376	S *	9/2010	Griebel	D1/122
2006/0147587	A1 *	7/2006	Kovich et al.	426/138

**OTHER PUBLICATIONS**

The examiner found this rice paper bowl on Sep. 22, 2011 on the website: <http://mrspringroll.com/index.php> copyright 2011.\* [www.mrspringroll.com](http://www.mrspringroll.com), MR Spring Roll's, Special and Unique Rice Paper Bowls; archive.org, Apr. 21, 2010, 1 page. Non-Final Office Action mailed Dec. 11, 2012 for U.S. Appl. No. 13/426,335; 7 pages.

\* cited by examiner

*Primary Examiner* — Cynthia Underwood

(74) *Attorney, Agent, or Firm* — Mahamedi Paradice Kreisman LLP

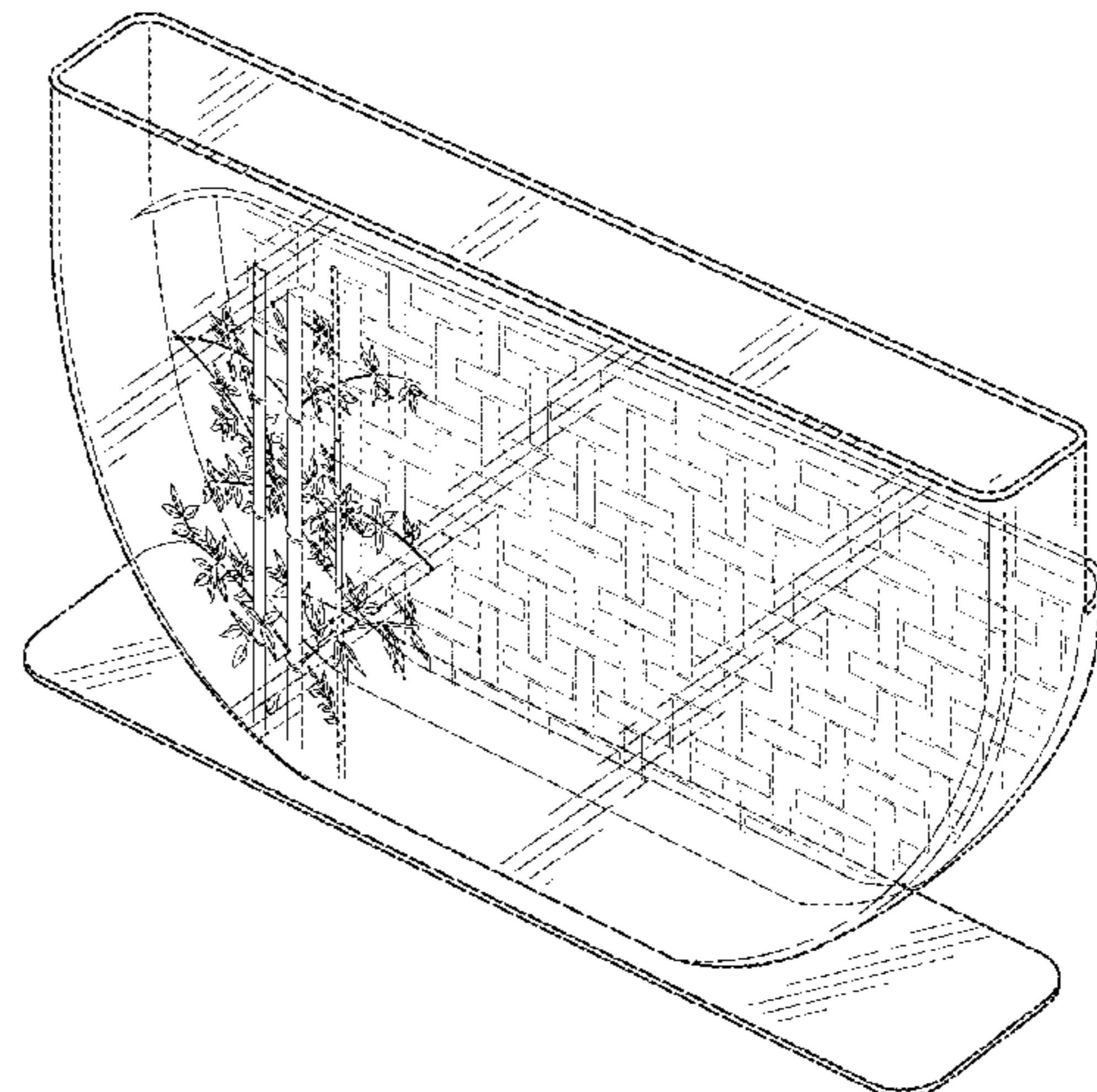
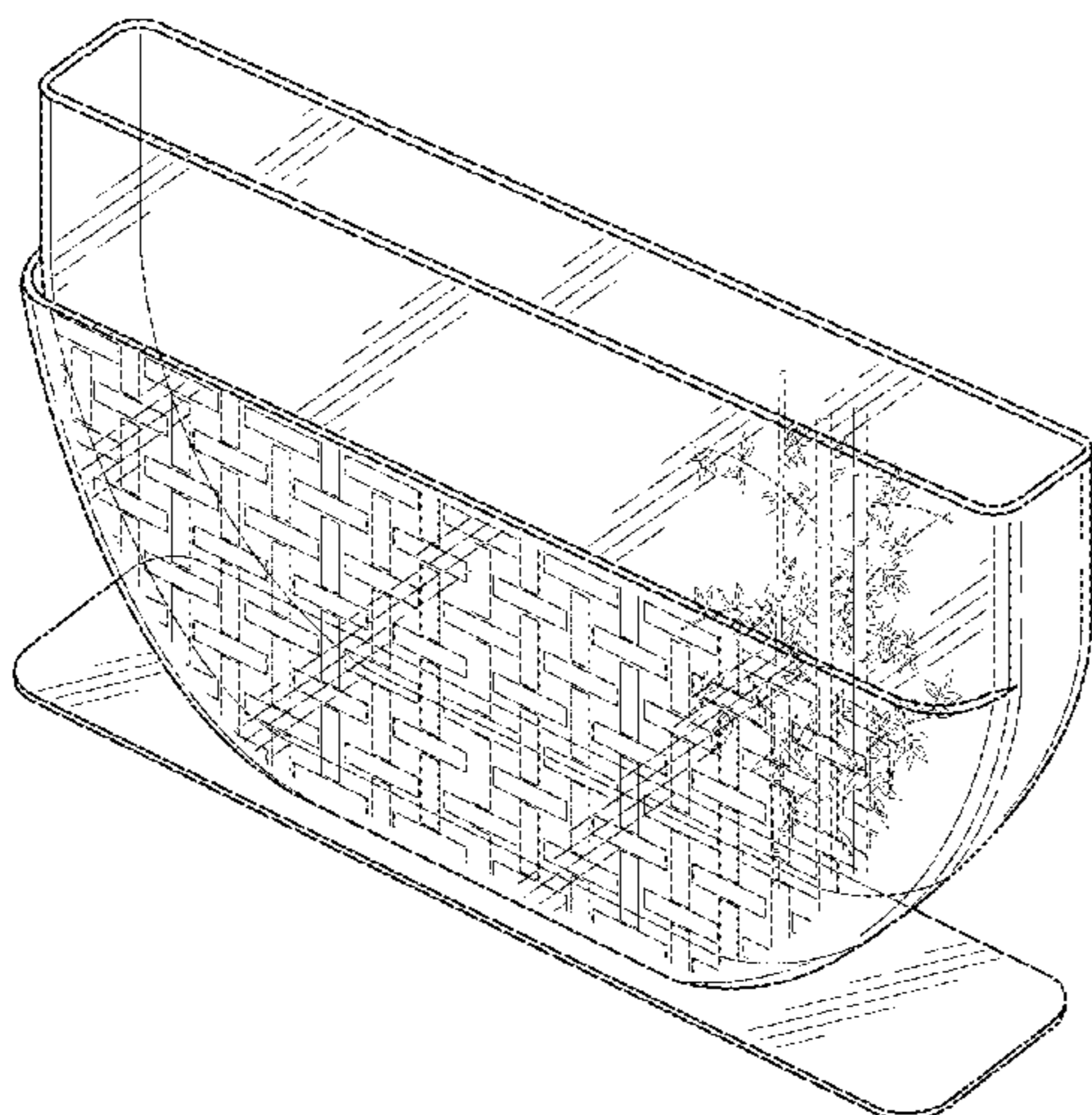
(57) **CLAIM**

The ornamental design for a multi-compartment food preparation container, as shown and described.

**DESCRIPTION**

FIG. 1 is a front perspective view of a multi-compartment food preparation container;  
FIG. 2 is a back perspective view of the multi-compartment food preparation container of FIG. 1;  
FIG. 3 is a front view of the multi-compartment food preparation container of FIG. 1;  
FIG. 4 is a back view of the multi-compartment food preparation container of FIG. 1;  
FIG. 5 is a top view of the multi-compartment food preparation container of FIG. 1;  
FIG. 6 is a bottom view of the multi-compartment food preparation container of FIG. 1;  
FIG. 7 is a right side view of the multi-compartment food preparation container of FIG. 1; and,  
FIG. 8 is a left side view of the multi-compartment food preparation container of FIG. 1.

**1 Claim, 5 Drawing Sheets**



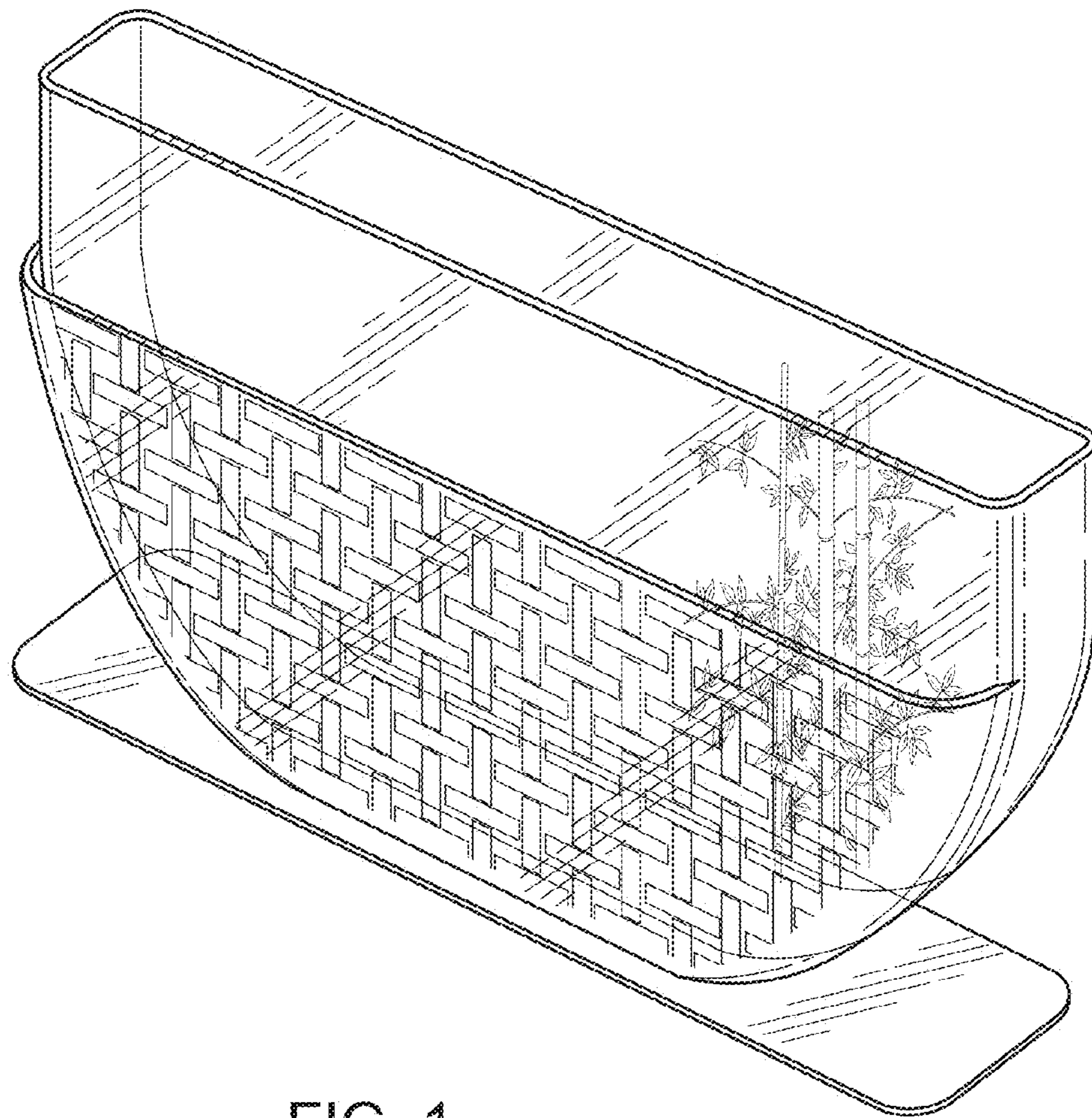


FIG. 1

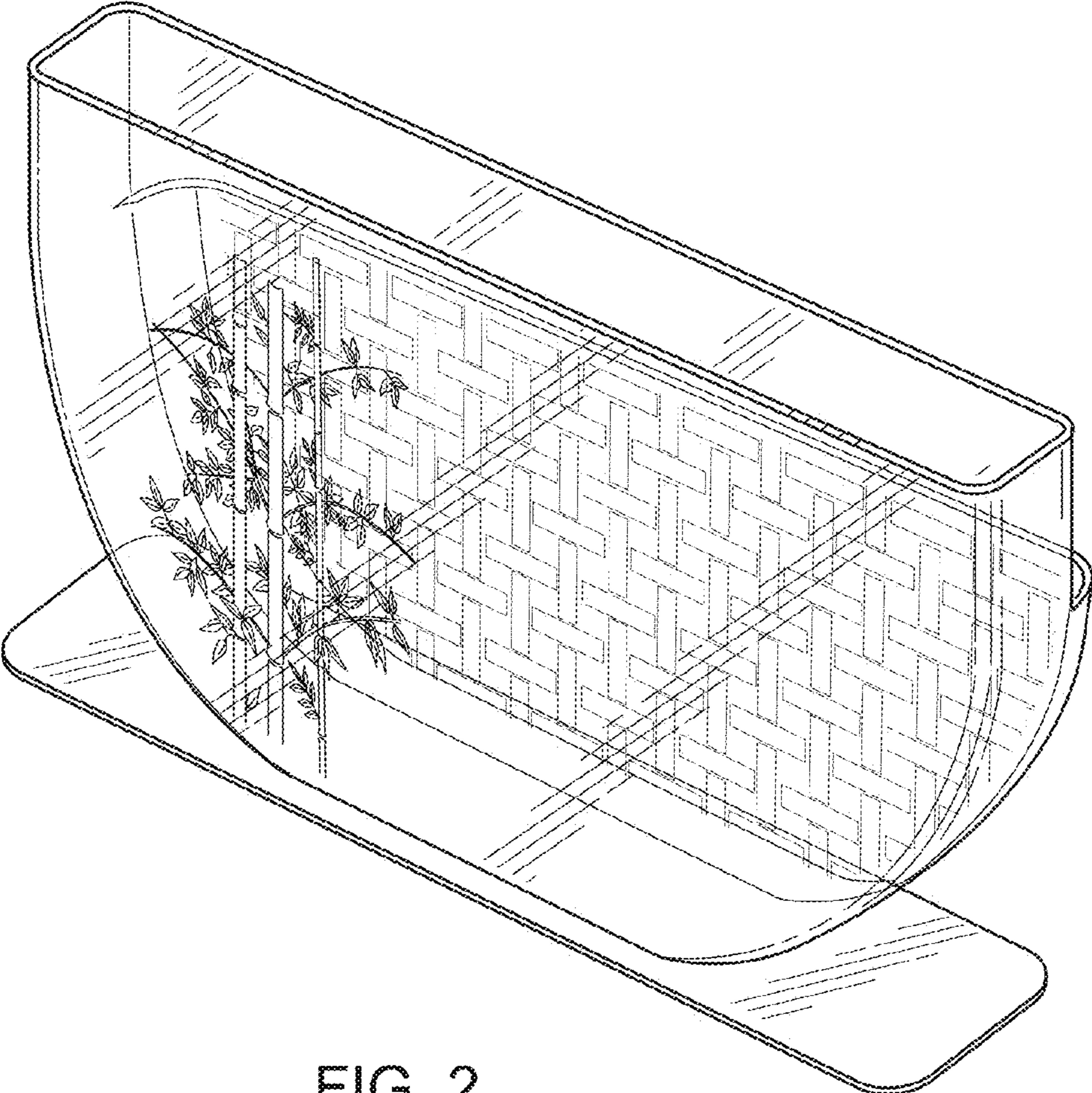


FIG. 2

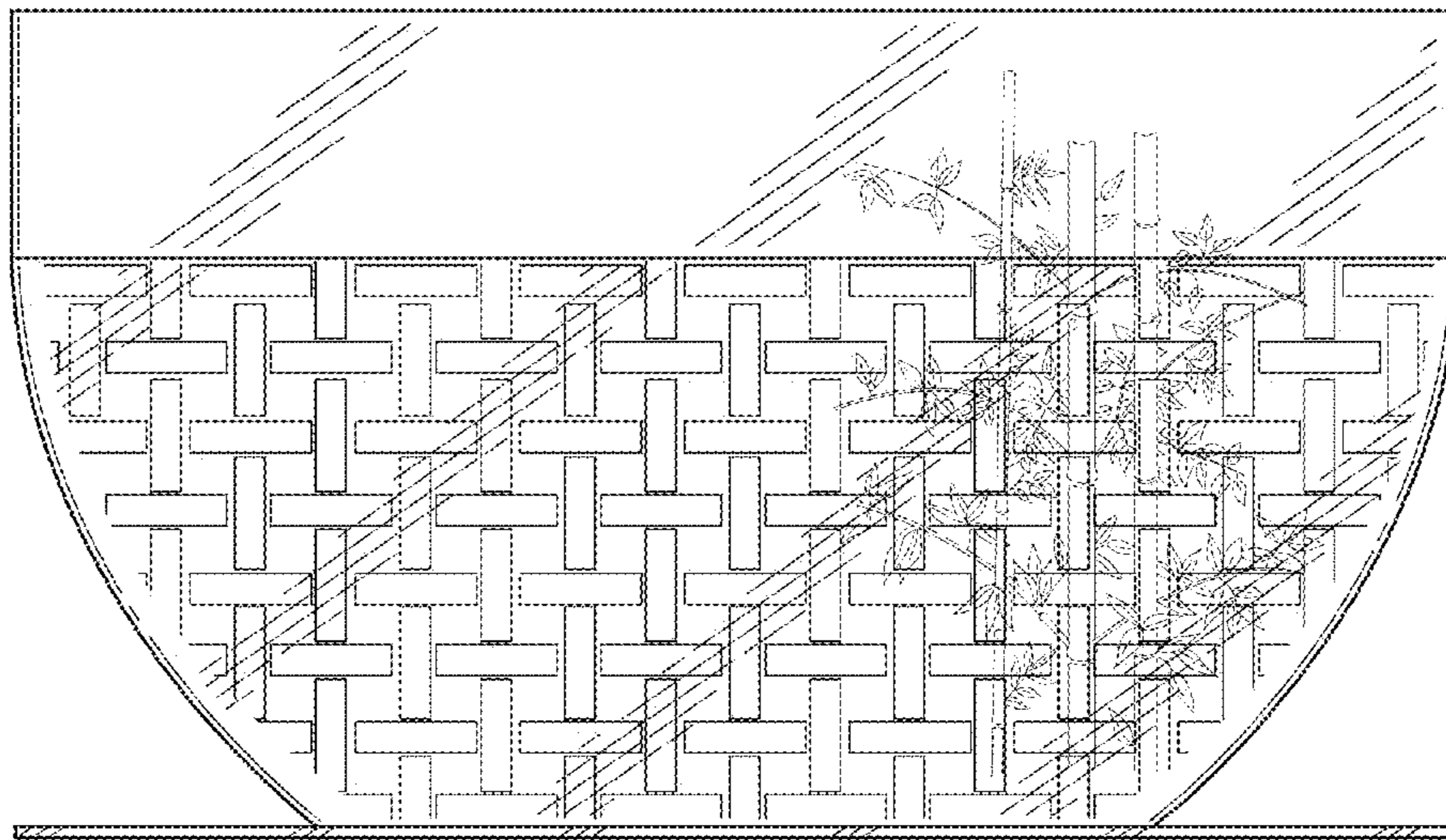


FIG. 3

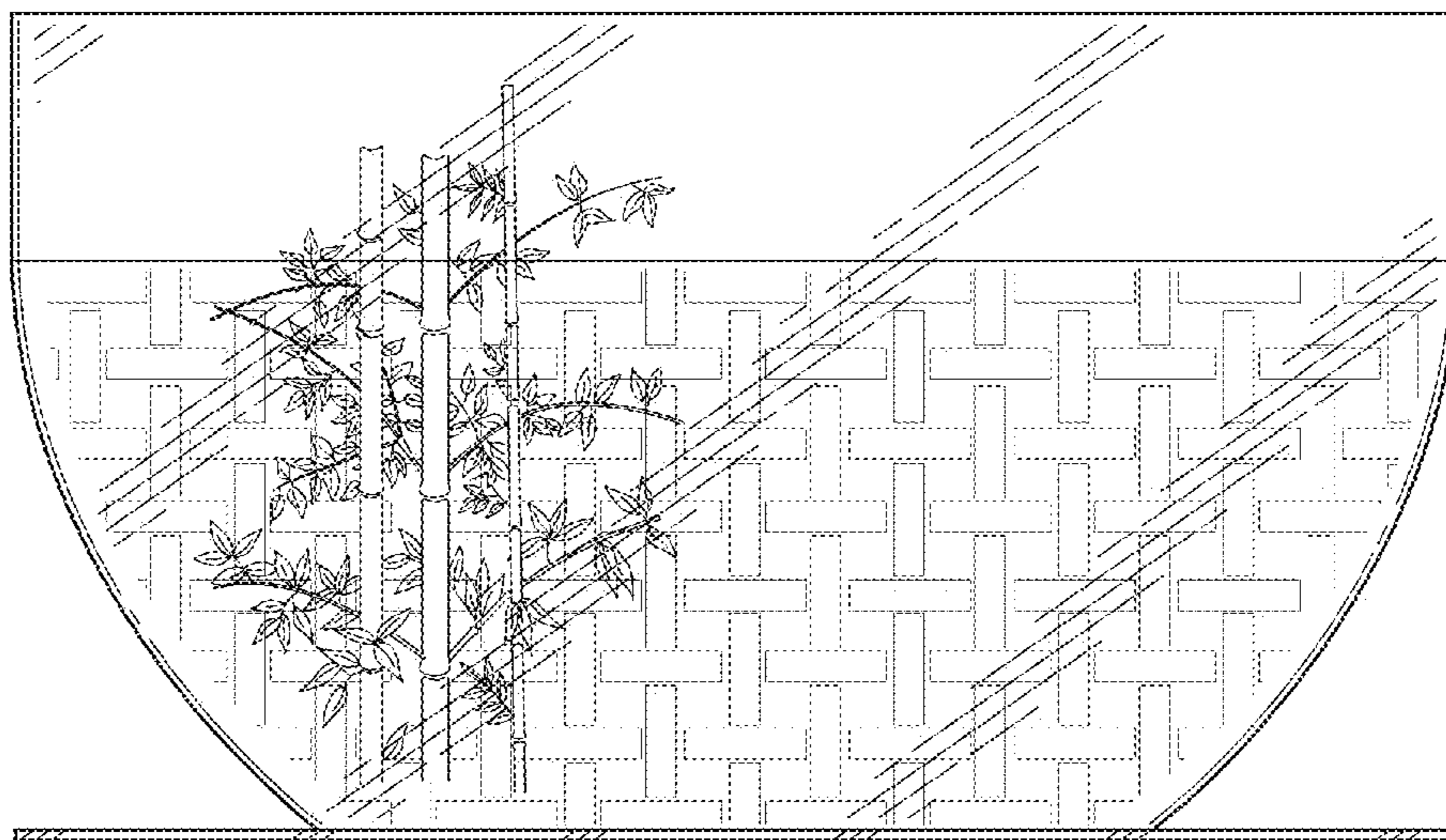


FIG. 4

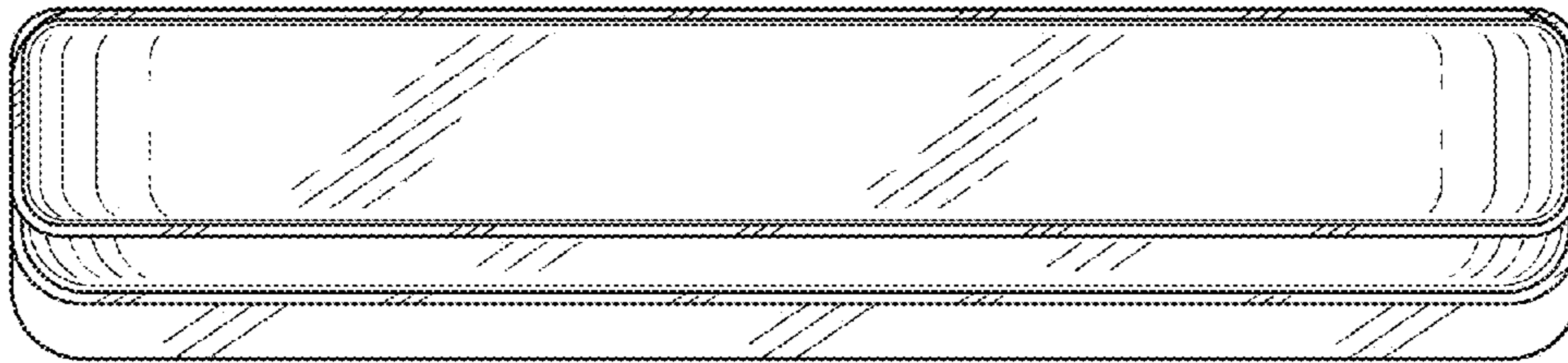


FIG. 5

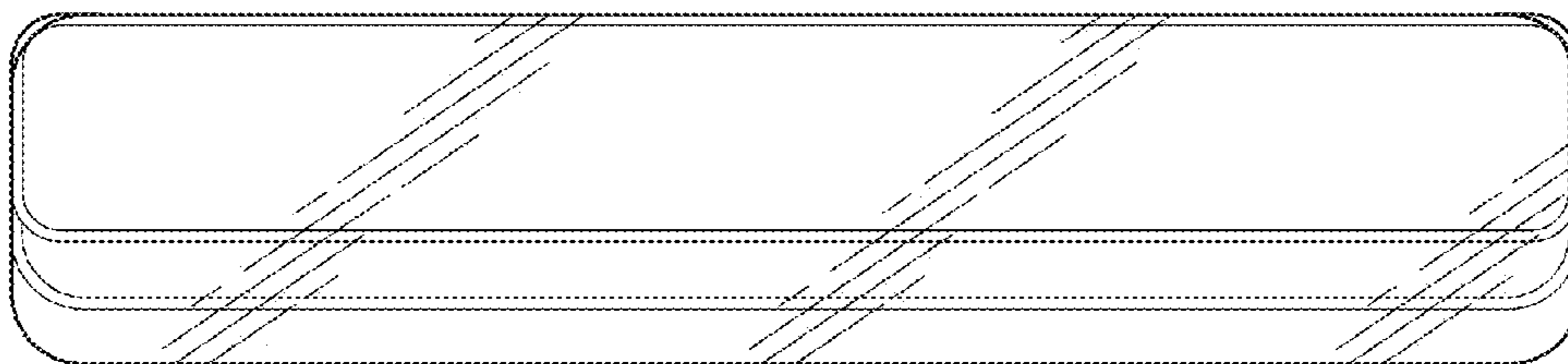


FIG. 6

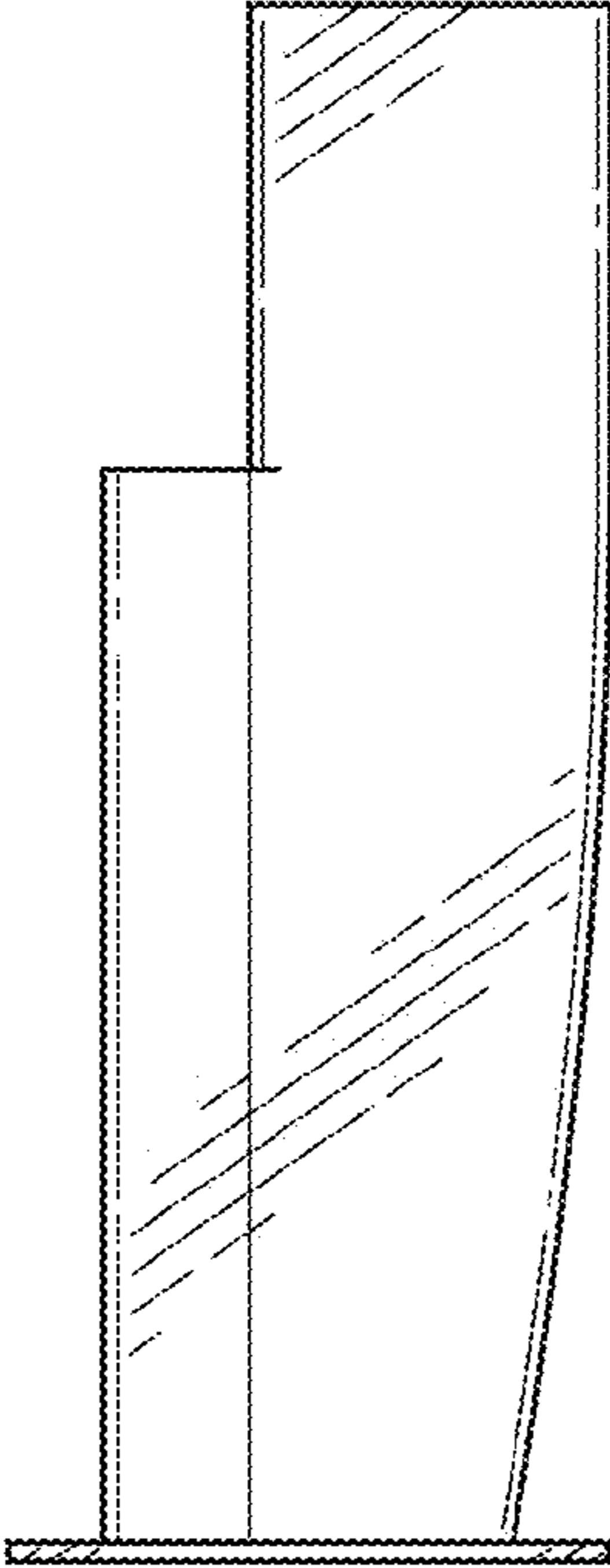


FIG. 7

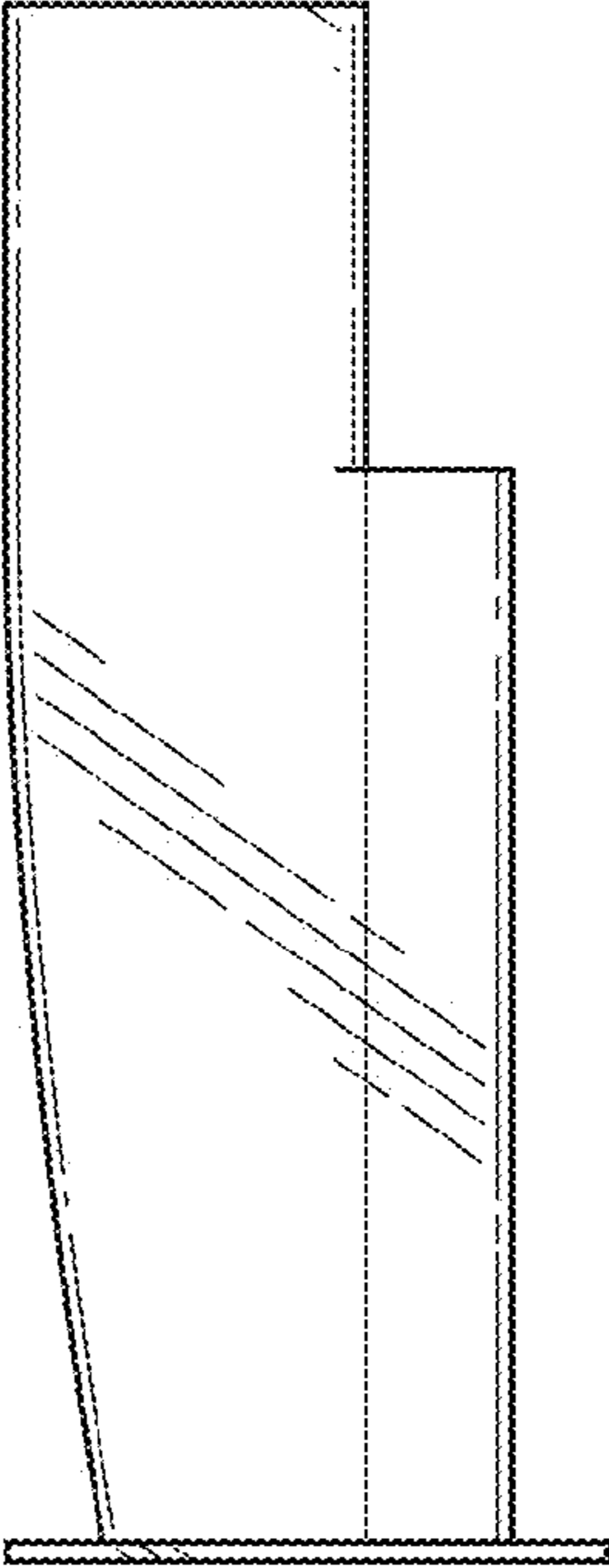


FIG. 8