



US00D699515S

(12) **United States Design Patent**
Kim et al.

(10) **Patent No.:** **US D699,515 S**
(45) **Date of Patent:** **** Feb. 18, 2014**

(54) **BODY FOR A JUICER**

(71) Applicant: **NUC Electronics Co., Ltd.**, Daegu (KR)

(72) Inventors: **Jong Boo Kim**, Daegu (KR); **Gun Wook Joo**, Daegu (KR)

(73) Assignee: **NUC Electronics Co., Ltd.**, Daegu (KR)

(**) Term: **14 Years**

(21) Appl. No.: **29/450,746**

(22) Filed: **Mar. 21, 2013**

(30) **Foreign Application Priority Data**

Sep. 21, 2012 (KR) 30-2012-0045514

(51) **LOC (10) Cl.** **31-00**

(52) **U.S. Cl.**
USPC **D7/412**

(58) **Field of Classification Search**
USPC D7/665-667, 412, 376-386; 241/92,
241/101.1-101.7, 285.1-285.3;
99/501-513, 495, 499, 348, 357, 349,
99/369, 370; 366/98, 142, 197-211,
366/241-254, 279-292, 341-347; 100/213,
100/218, 283, 288

See application file for complete search history.

(56) **References Cited**

U.S. PATENT DOCUMENTS

6,609,455	B2 *	8/2003	Fouquet	99/511
D594,717	S *	6/2009	Wu Chang	D7/665
D640,502	S *	6/2011	Picozza et al.	D7/412
D665,633	S *	8/2012	Kim et al.	D7/665
2003/0052206	A1 *	3/2003	Fouquet	241/92

* cited by examiner

Primary Examiner — Terry Wallace

(74) *Attorney, Agent, or Firm* — Seed IP Law Group PLLC

(57) **CLAIM**

The ornamental design for a body for a juicer, as shown and described.

DESCRIPTION

FIG. 1 is an isometric view for a body part of a juicer showing our new design.

FIG. 2 is a front view thereof.

FIG. 3 is a rear view thereof.

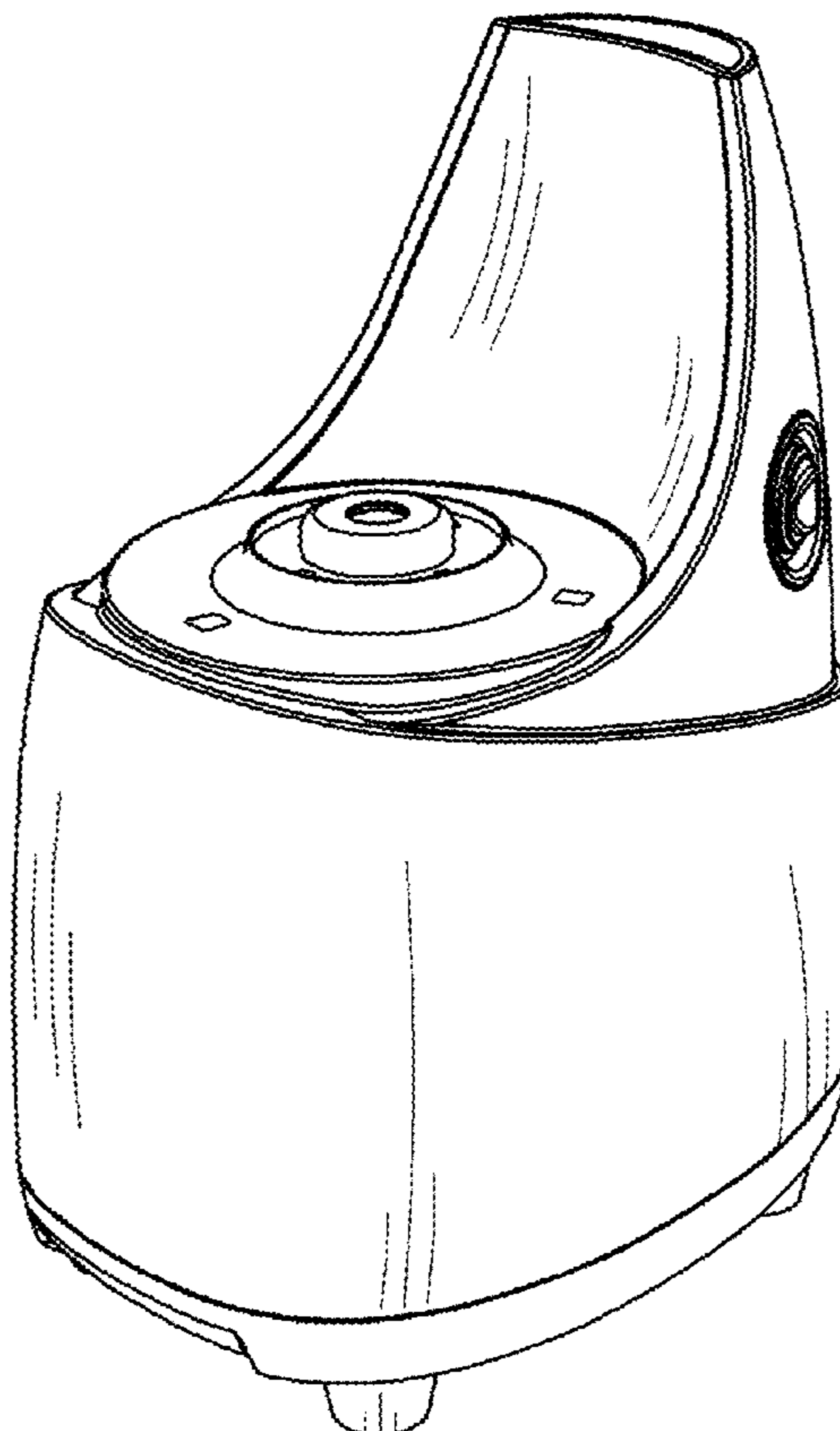
FIG. 4 is a left side view thereof.

FIG. 5 is a right side view thereof.

FIG. 6 is a top plan view thereof; and,

FIG. 7 is a bottom plan view thereof.

1 Claim, 6 Drawing Sheets



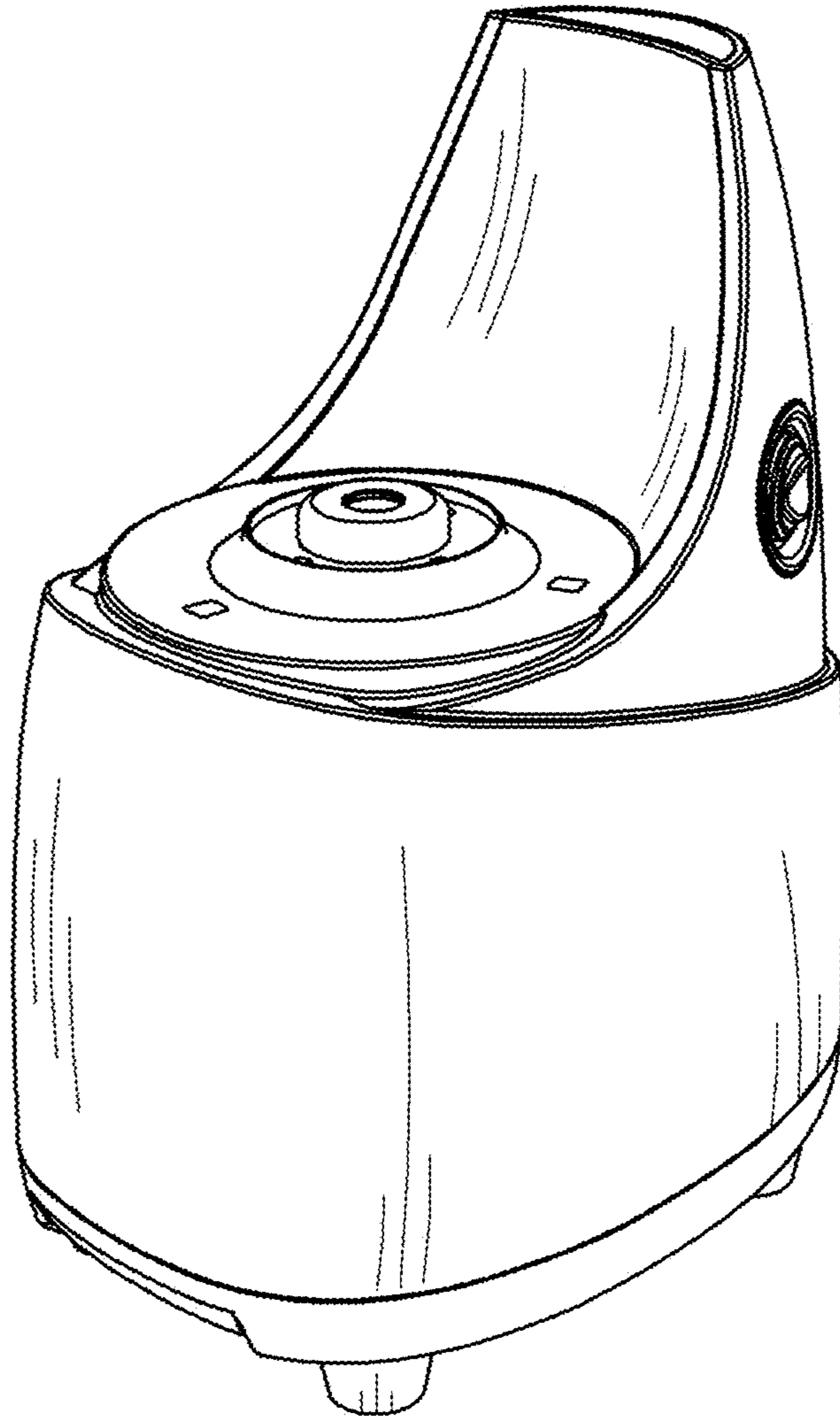


Fig. 1

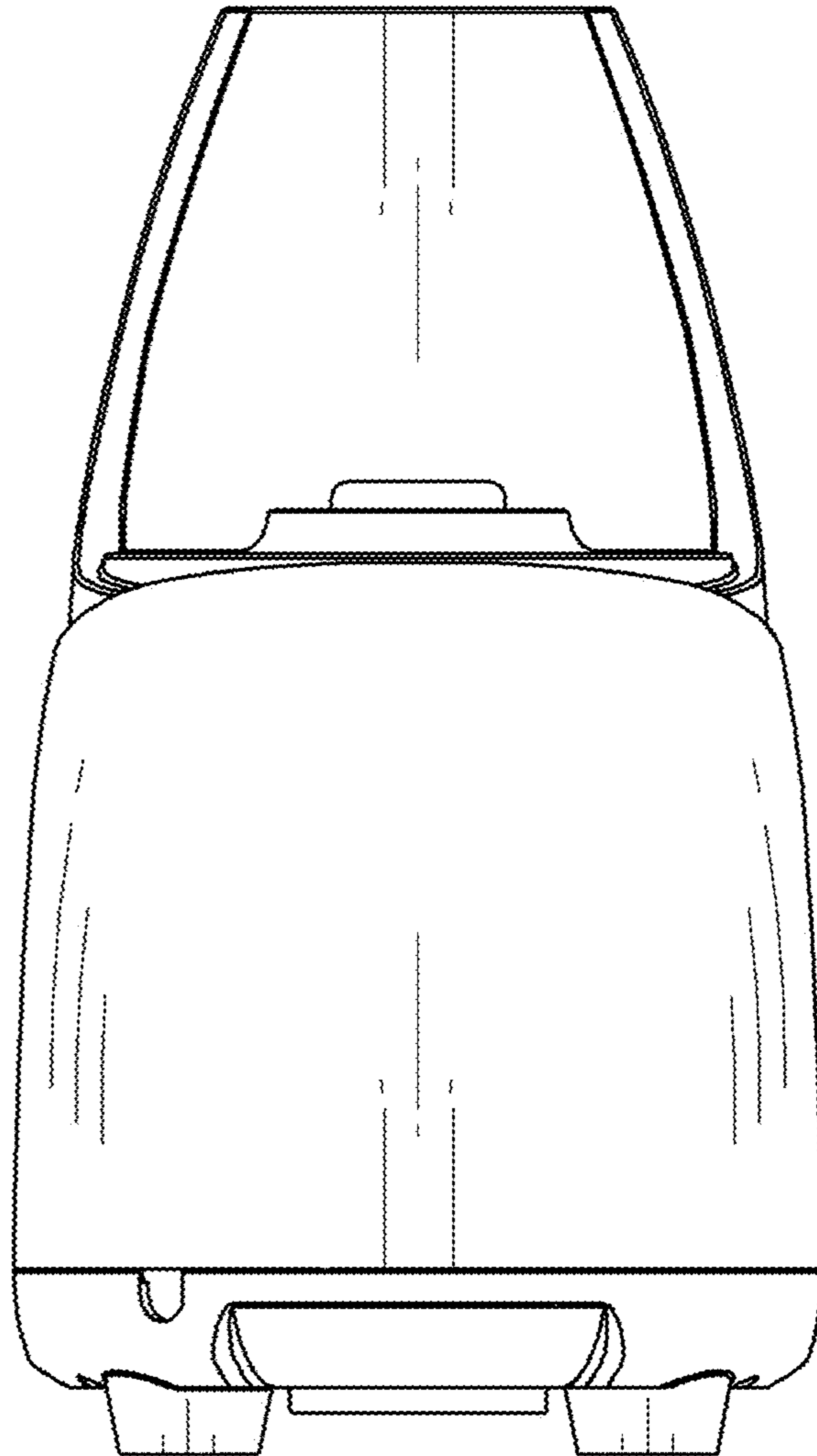


Fig. 2

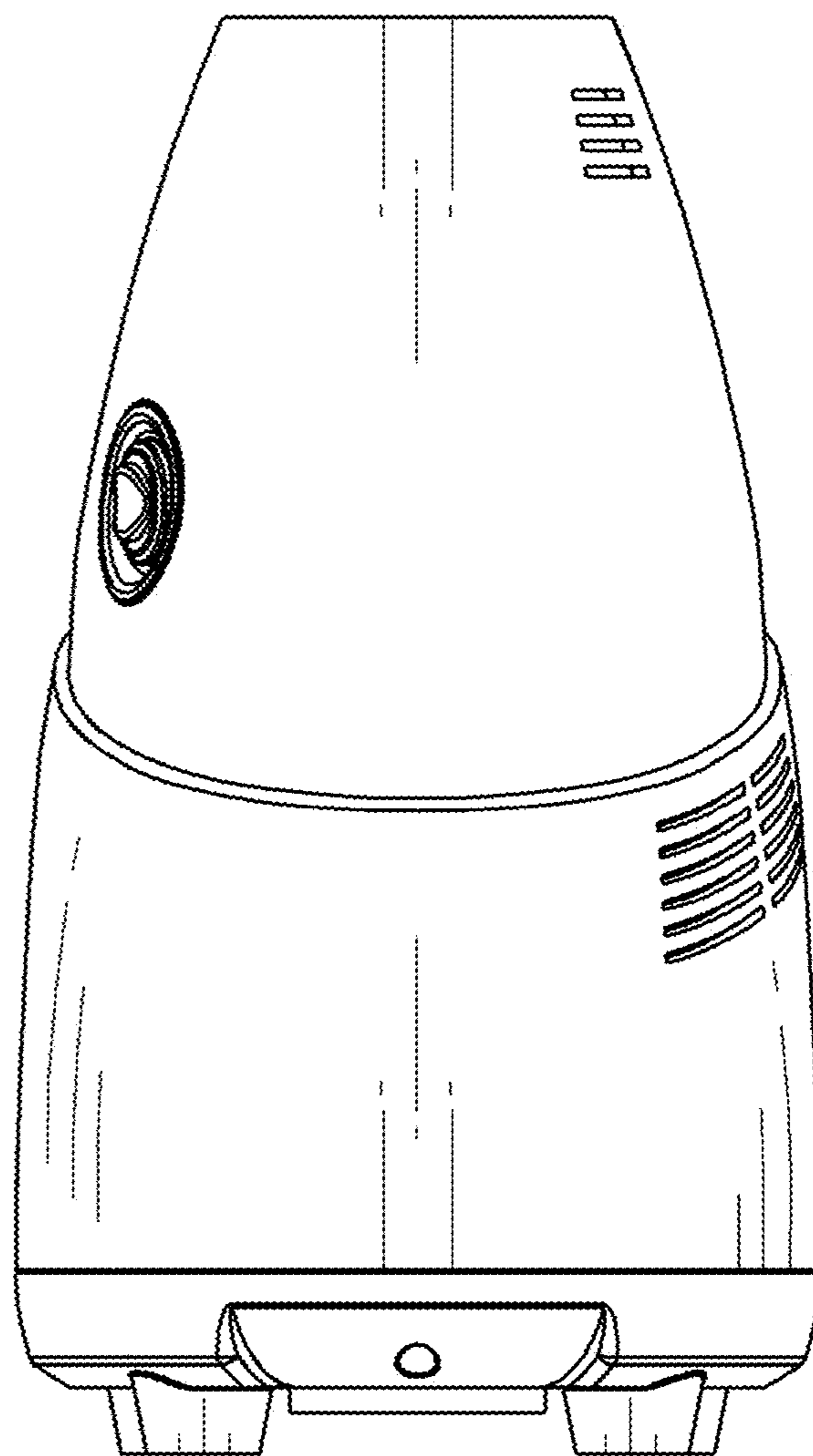


Fig. 3

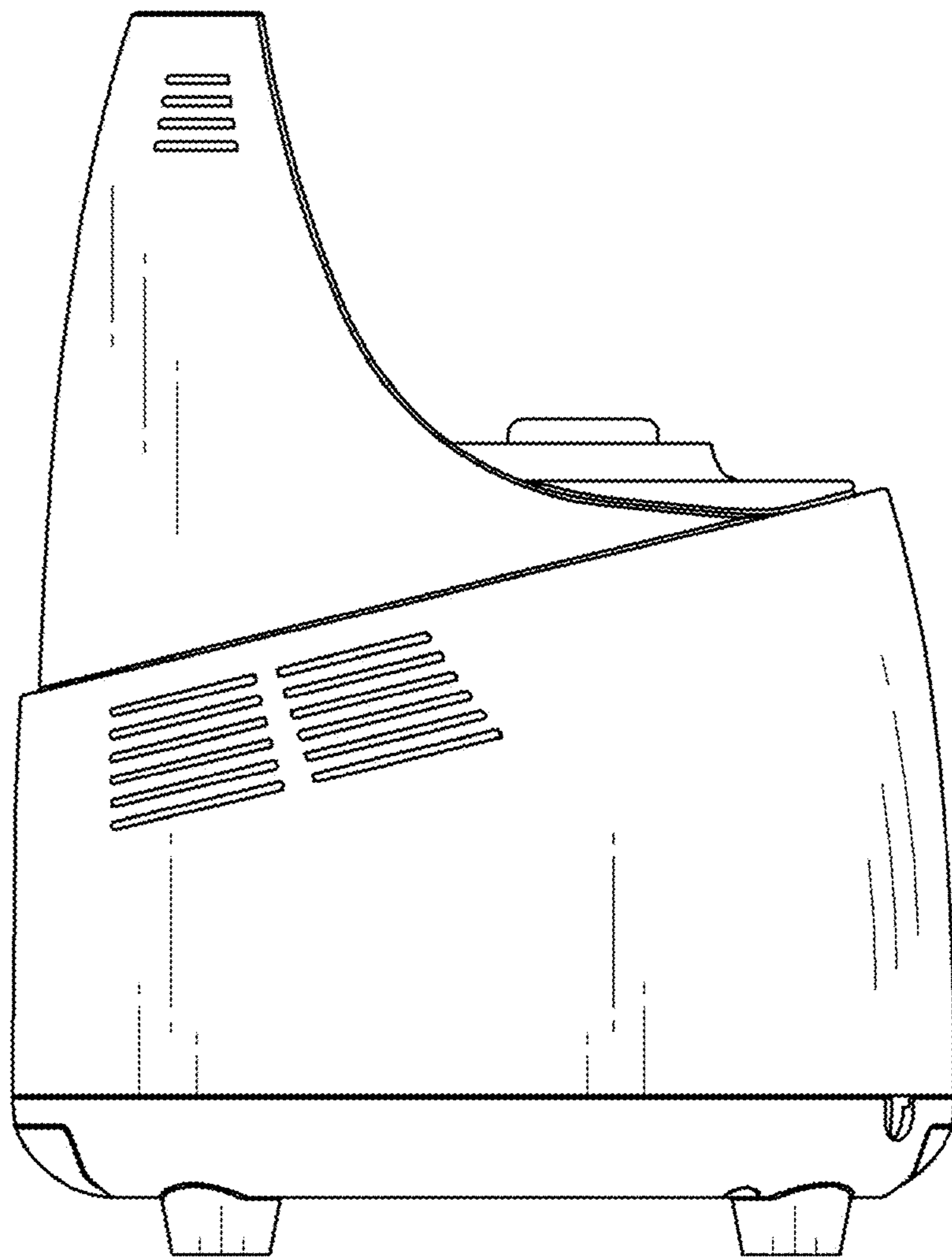


Fig. 4

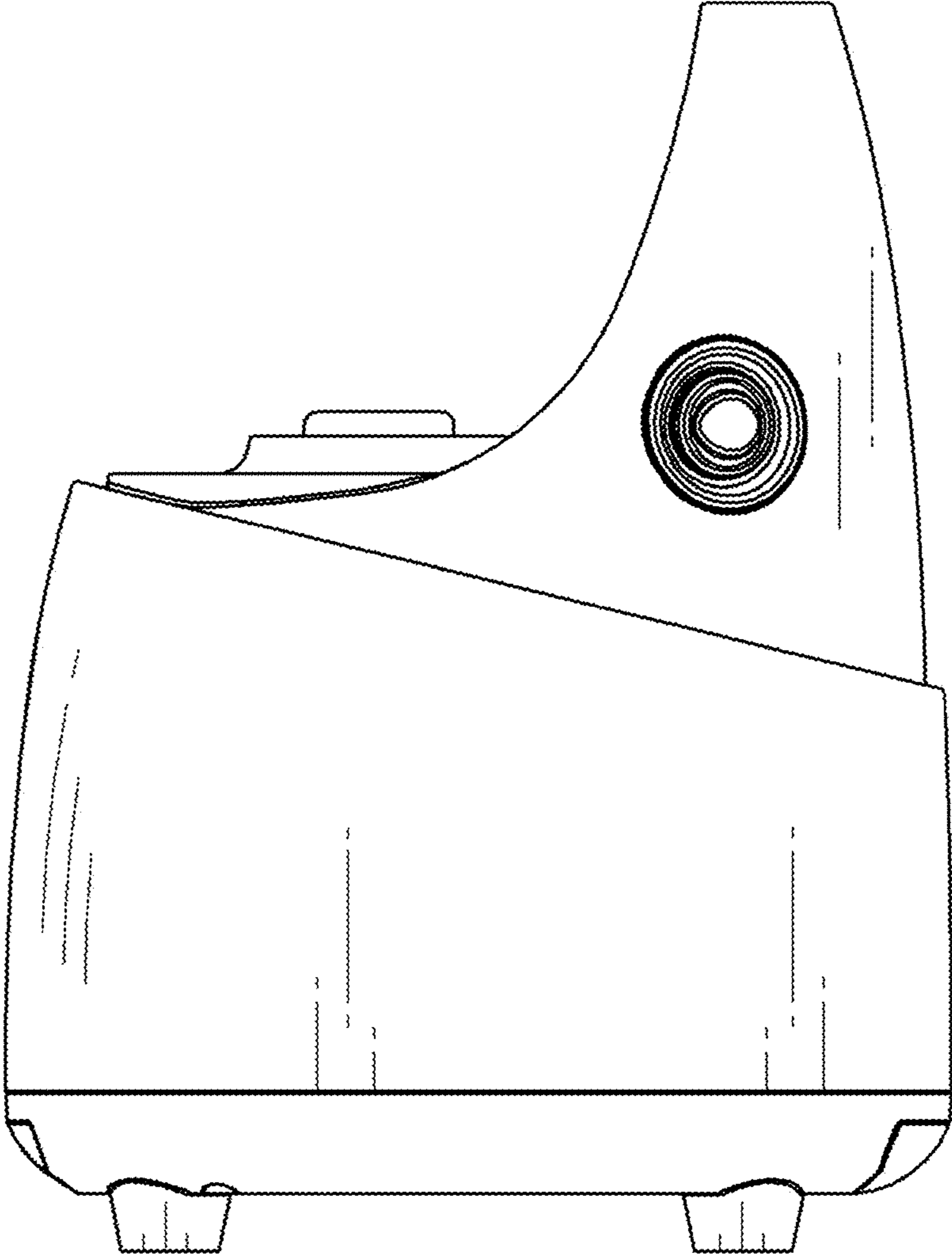


Fig. 5

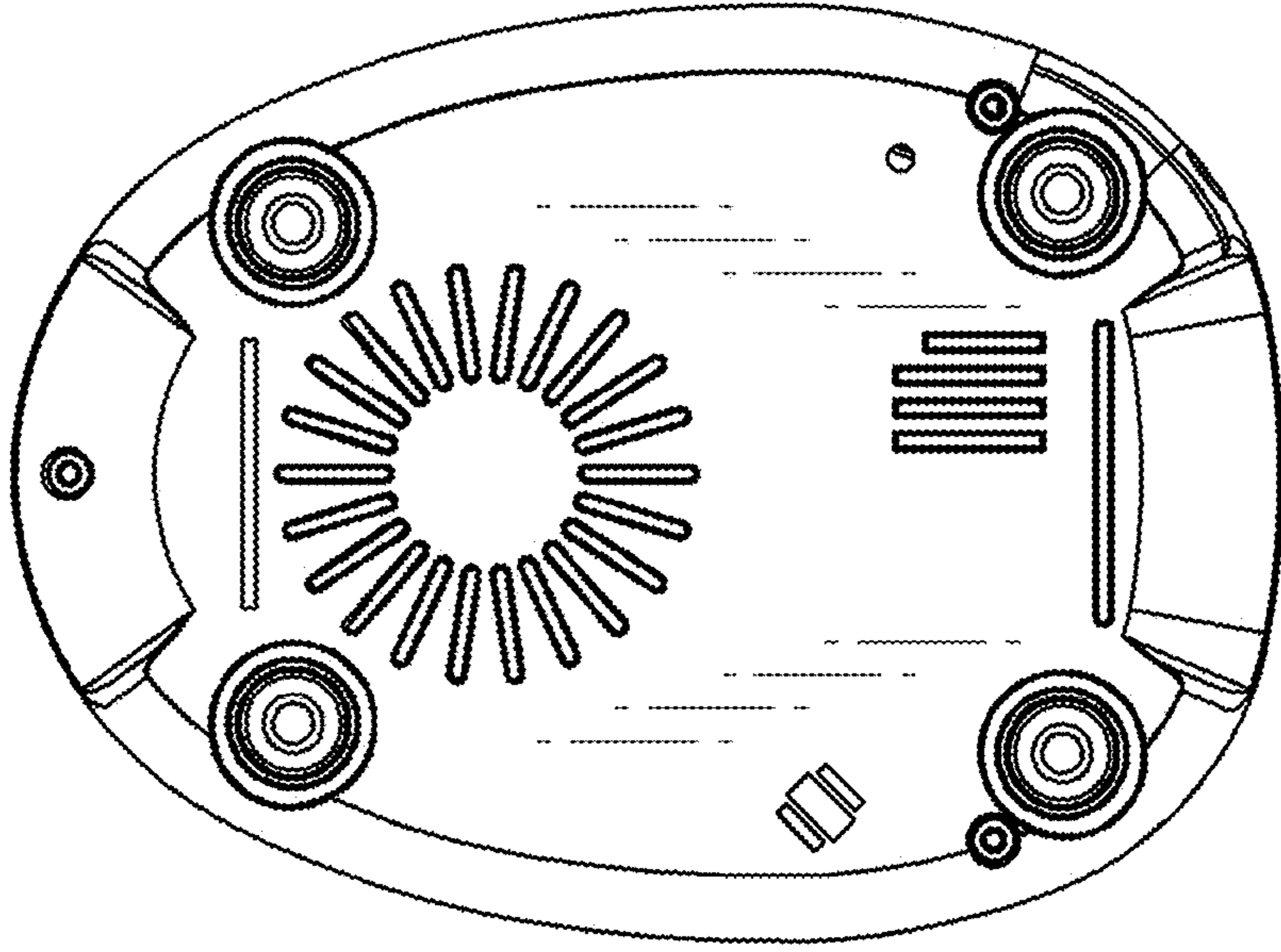


Fig. 7

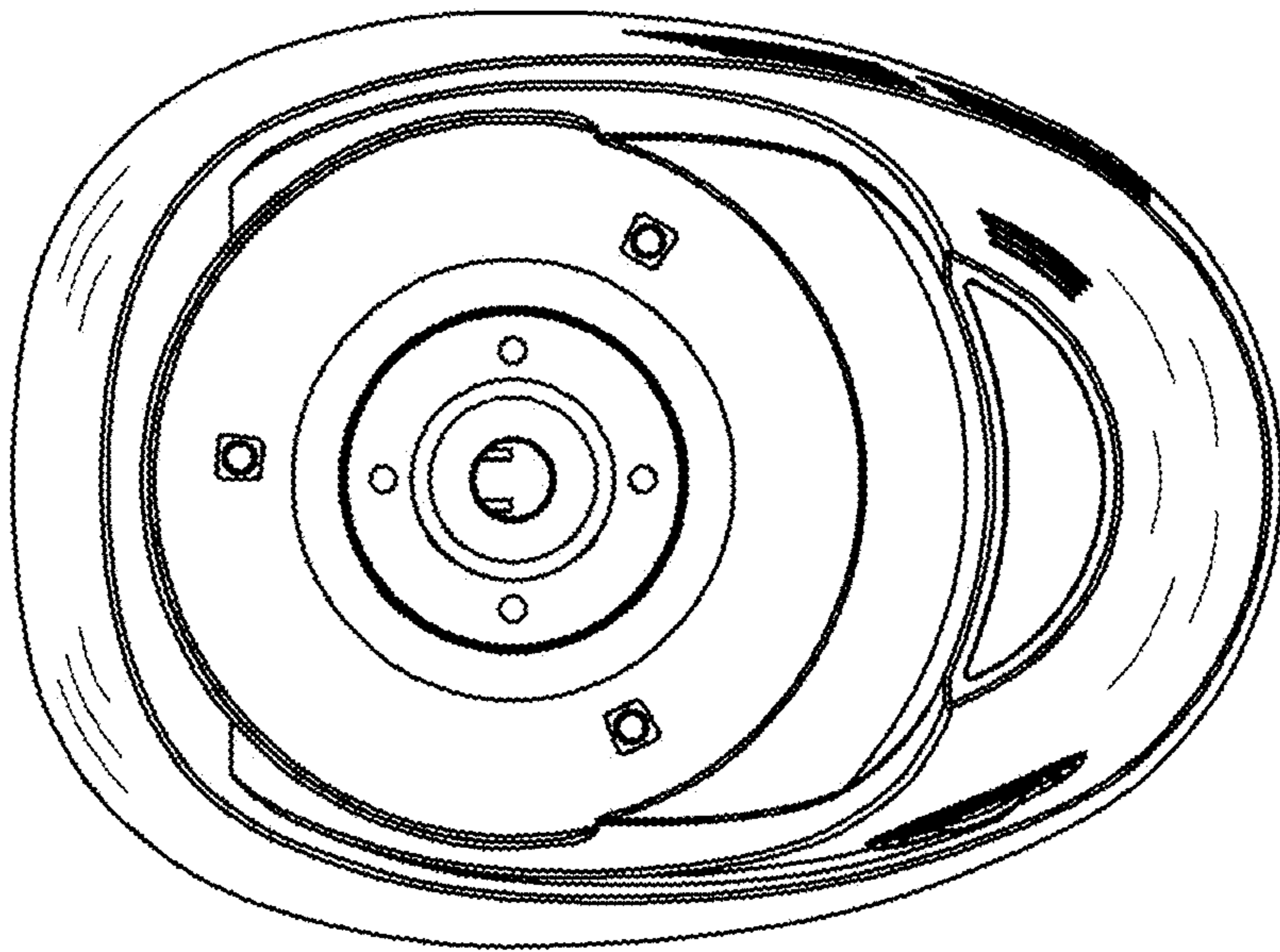


Fig. 6