



US00D699512S

(12) **United States Design Patent**  
**Stellmach et al.**

(10) **Patent No.:** **US D699,512 S**  
(45) **Date of Patent:** **\*\* Feb. 18, 2014**

- (54) **DISPENSING HANDLE FOR A BEVERAGE DISPENSING VALVE**
- (71) Applicants: **Schroeder Industries, Inc.**, San Antonio, TX (US); **Arizona Beverages USA LLC**, Woodbury, NY (US)
- (72) Inventors: **Jim Stellmach**, Woodbury, NY (US); **Don Vultaggio**, Woodbury, NY (US); **David Santy**, Converse, TX (US); **Deborah Absalon**, Converse, TX (US); **Jason Minica**, Schertz, TX (US)
- (73) Assignees: **Schroeder Industries, Inc.**, San Antonio, TX (US); **Arizona Beverages USA LLC**, Woodbury, NY (US)

2,937,792 A	5/1960	Firstenerg	
D271,877 S	12/1983	Hoff	
4,497,421 A	2/1985	Schilling	
D280,880 S *	10/1985	Schweres	..... D7/398
4,619,378 A	10/1986	de Man	
4,674,296 A	6/1987	Renaud	
4,699,282 A	10/1987	Farrar	
4,921,140 A	5/1990	Belcham	
D309,232 S	7/1990	Valiyee et al.	
D313,026 S	12/1990	Evans	
4,986,449 A	1/1991	Valiyee et al.	
5,042,692 A	8/1991	Valiyee et al.	
D338,137 S	8/1993	Ochs	
5,305,924 A	4/1994	Groover et al.	
D372,831 S	8/1996	Credle, Jr.	
D377,289 S	1/1997	Credle, Jr.	
D380,641 S	7/1997	Randle	
D401,474 S	11/1998	Leatherman et al.	
D518,677 S *	4/2006	Van Berlo	..... D7/306

- (\*\*) Term: **14 Years**
- (21) Appl. No.: **29/452,171**
- (22) Filed: **Apr. 12, 2013**

**Related U.S. Application Data**

- (63) Continuation of application No. 29/434,173, filed on Oct. 10, 2012.
- (51) **LOC (10) Cl.** ..... **07-99**
- (52) **U.S. Cl.**  
USPC ..... **D7/398**
- (58) **Field of Classification Search**  
USPC ..... D7/300, 306-308, 311, 313, 301, 397,  
D7/398; D15/81; 99/275, 323.3;  
222/129.1, 144.5  
See application file for complete search history.

- (56) **References Cited**  
U.S. PATENT DOCUMENTS  
1,947,329 A 2/1934 Buttner  
2,887,250 A 5/1959 Zilk

(Continued)

**OTHER PUBLICATIONS**

Wunder-Bar Food & Beverage Dispensing Systems, Post-Mix Beverage Dispenser, Automatic Bar Controls, Inc., Rev. 120508 Dec. 5, 2008.

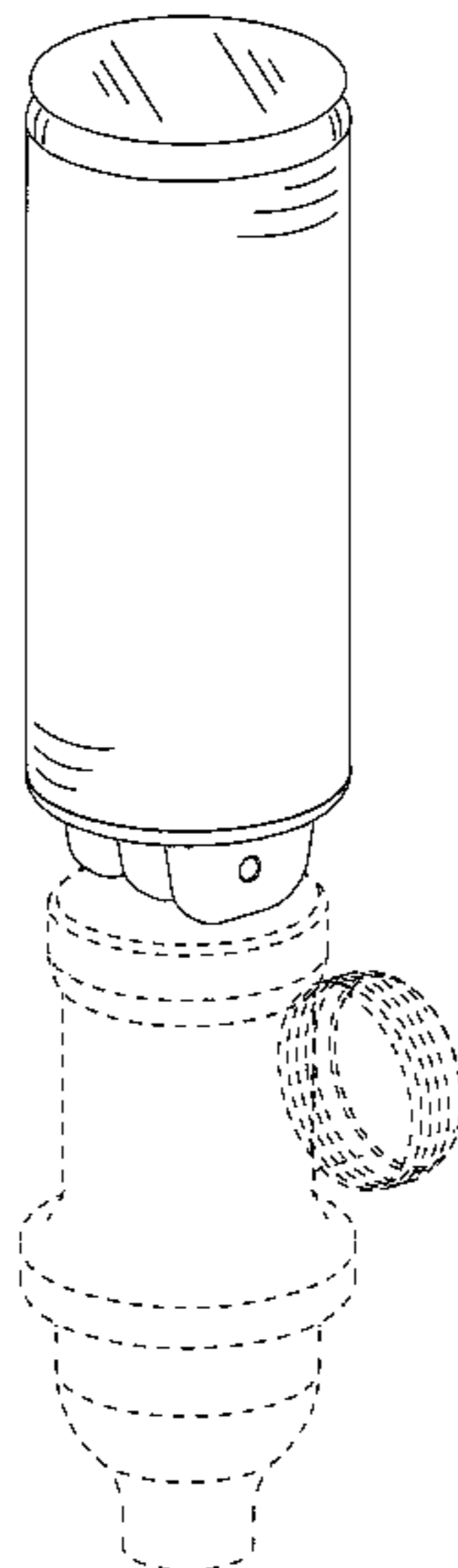
*Primary Examiner* — Marianne Pandozzi  
(74) *Attorney, Agent, or Firm* — Jackson Walker, LLP

(57) **CLAIM**  
The ornamental design for a dispensing handle for a beverage dispensing valve, as shown and described.

**DESCRIPTION**

FIG. 1 is a perspective view of Applicants' dispensing handle for a beverage dispensing valve showing our new design; FIG. 2 is a front elevational view thereof; FIG. 3 is a rear elevational view thereof; FIG. 4 is a left side elevational view thereof; FIG. 5 is a right side elevational view thereof; and, FIG. 6 is an enlarged top plan view thereof.

**1 Claim, 6 Drawing Sheets**



# US D699,512 S

Page 2

---

(56)

## References Cited

### U.S. PATENT DOCUMENTS

D519,788 S     5/2006 Ringuet  
D573,392 S \*   7/2008 Smith ..... D7/306  
D599,157 S \*   9/2009 Stein ..... D7/301

D612,203 S \*   3/2010 Bollin ..... D7/397  
D622,534 S \*   8/2010 Zimmermann ..... D7/307  
D638,659 S     5/2011 Martindale et al.  
D655,592 S     3/2012 Baumann  
D676,700 S     2/2013 Chung et al.

\* cited by examiner

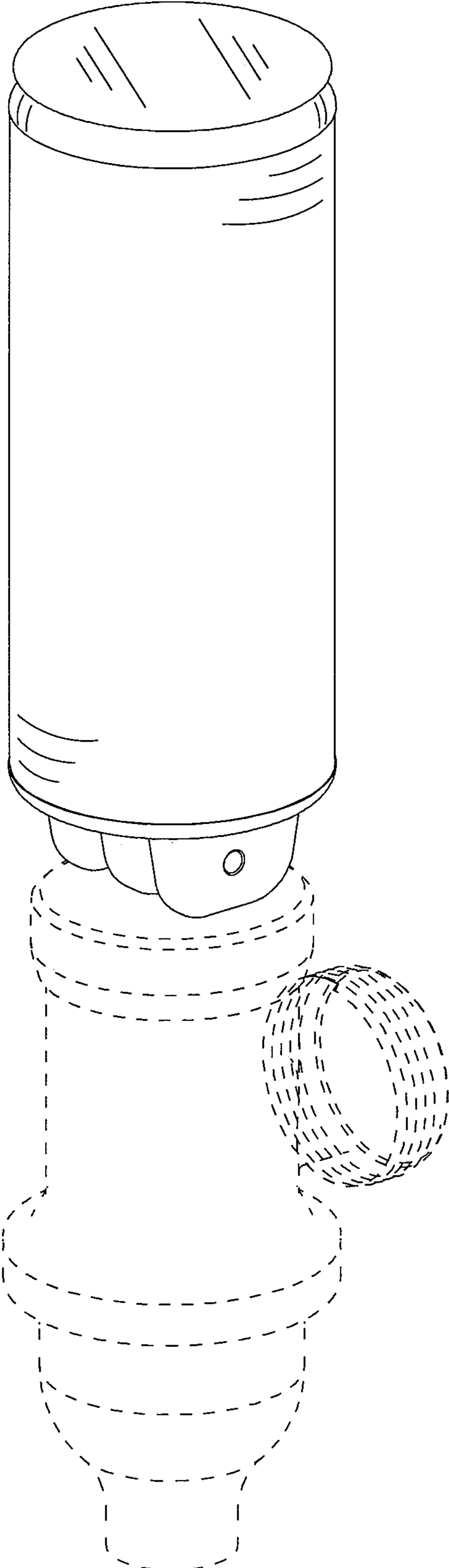


Fig. 1

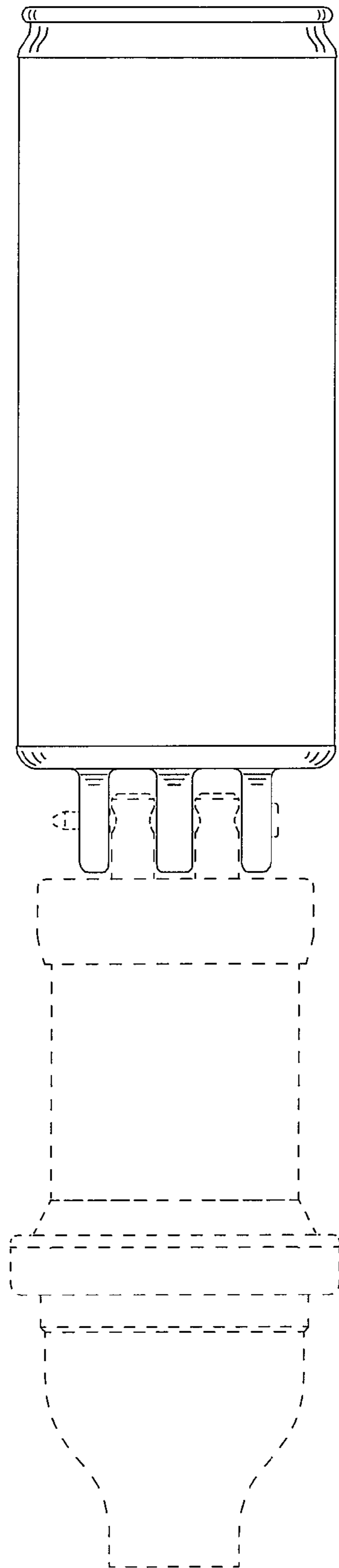


Fig. 2

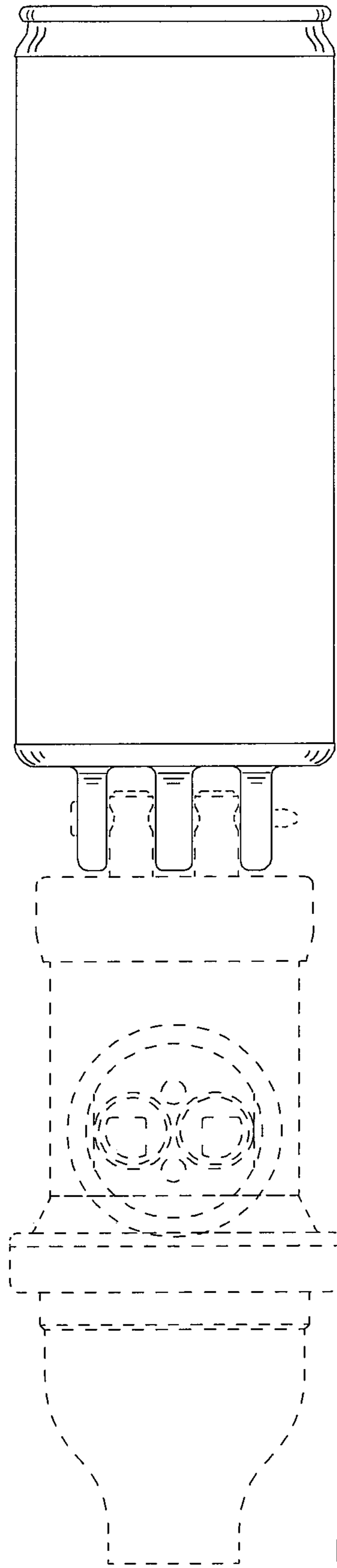


Fig. 3

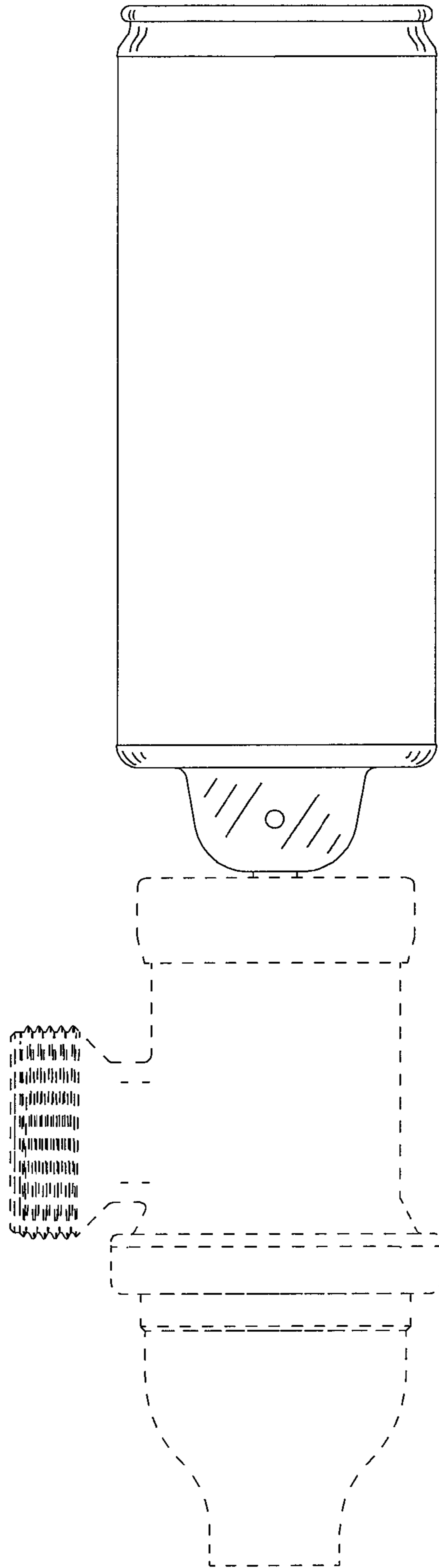


Fig. 4

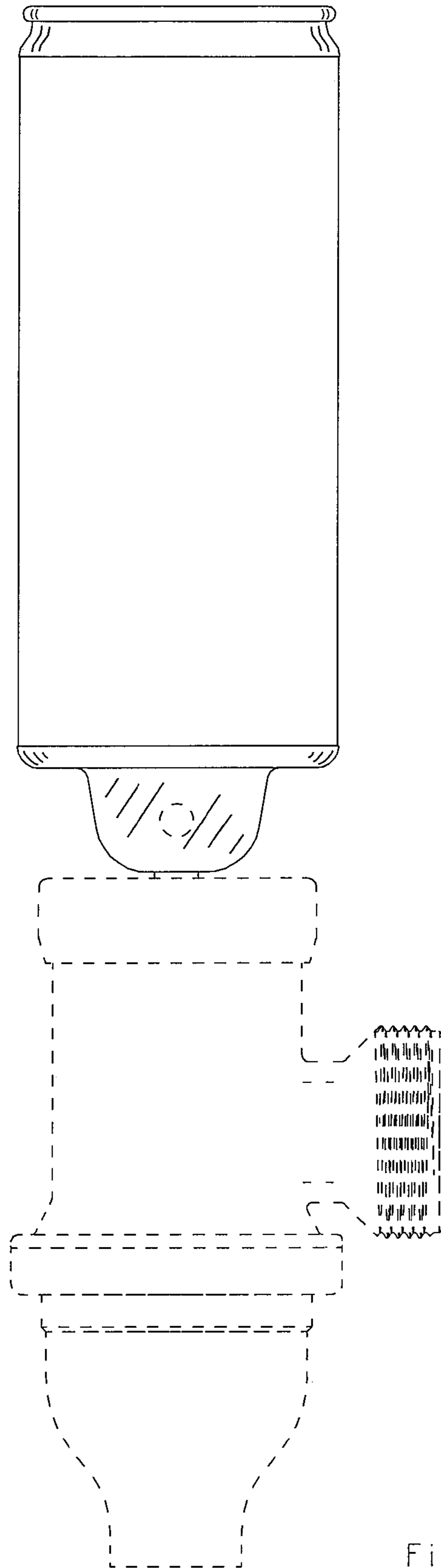


Fig. 5

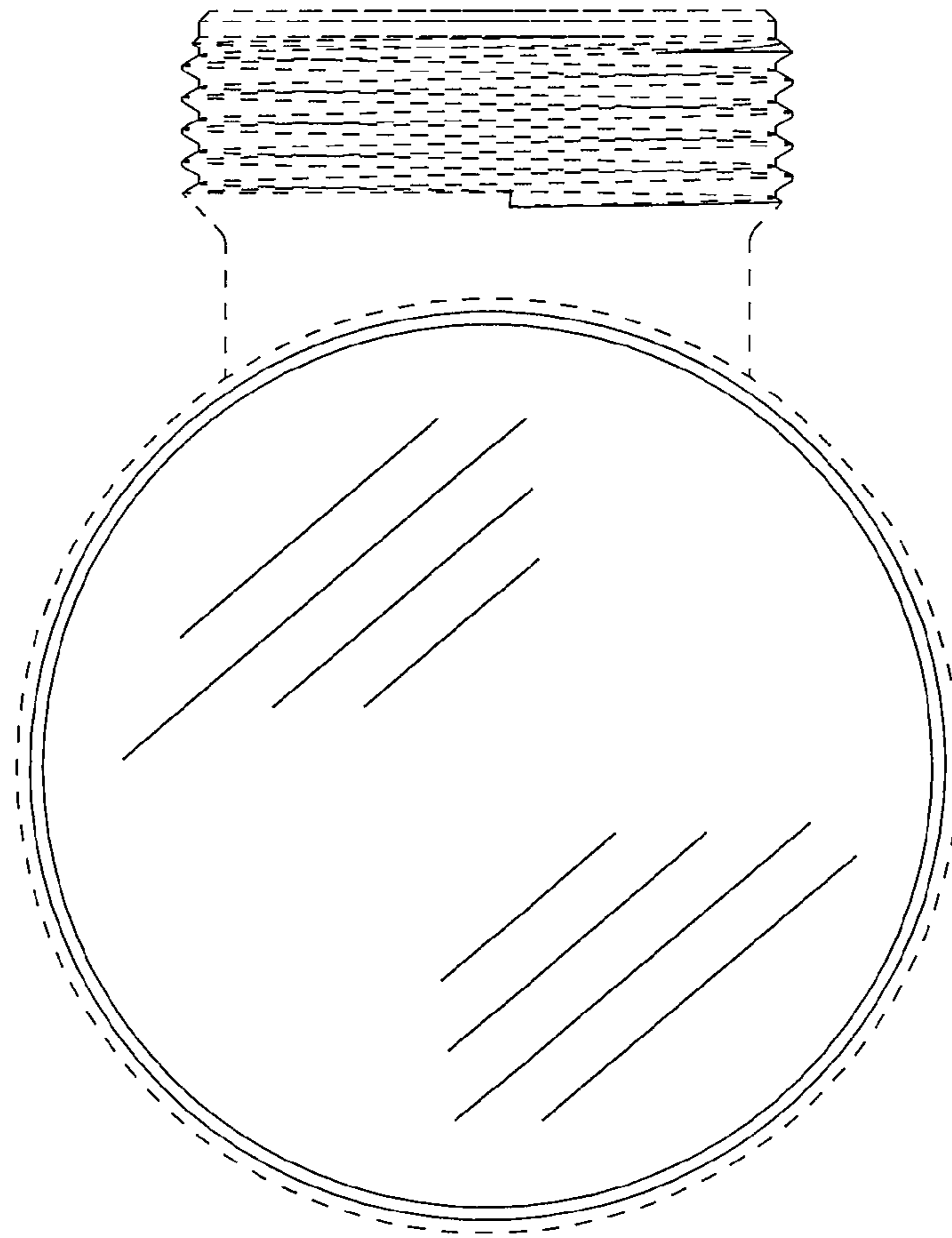


Fig. 6