



US00D699511S

(12) **United States Design Patent**  
**Rae**

(10) **Patent No.:** **US D699,511 S**  
(45) **Date of Patent:** **\*\* Feb. 18, 2014**

- (54) **ELONGATED SIDE HANDLE FOR COOKWARE**
- (71) Applicant: **Meyer Intellectual Properties Ltd.,**  
Hong Kong (CN)
- (72) Inventor: **Robert A. Rae,** Las Vegas, NV (US)
- (73) Assignee: **Meyer Intellectual Properties Limited**  
(VG)
- (\*\*) Term: **14 Years**
- (21) Appl. No.: **29/448,582**
- (22) Filed: **Mar. 13, 2013**
- (51) **LOC (10) Cl.** ..... **07-02**
- (52) **U.S. Cl.**  
USPC ..... **D7/395**
- (58) **Field of Classification Search**  
USPC ..... D7/354-361, 393-395, 401.2, 664;  
D8/107, 300, 303, 307, 313, 321;  
D4/138, 129; 16/421, 430, 431, 110.1,  
16/407; 220/573.1-573.5, 752, 753, 755,  
220/756, 759, 767, 771, 912  
See application file for complete search history.

- D589,744 S \* 4/2009 Rae ..... D7/395
- D592,452 S \* 5/2009 Tetreault ..... D7/395
- D599,165 S \* 9/2009 Rae ..... D7/395
- D630,889 S \* 1/2011 Rae ..... D7/395
- D644,871 S \* 9/2011 Rae ..... D7/395
- D645,698 S \* 9/2011 Rae ..... D7/395
- D653,078 S \* 1/2012 Cheng et al. .... D7/395
- D667,691 S \* 9/2012 Rae ..... D7/395
- D682,023 S \* 5/2013 Rae ..... D7/395

\* cited by examiner

*Primary Examiner* — Cynthia M Chin  
(74) *Attorney, Agent, or Firm* — Edward S. Sherman

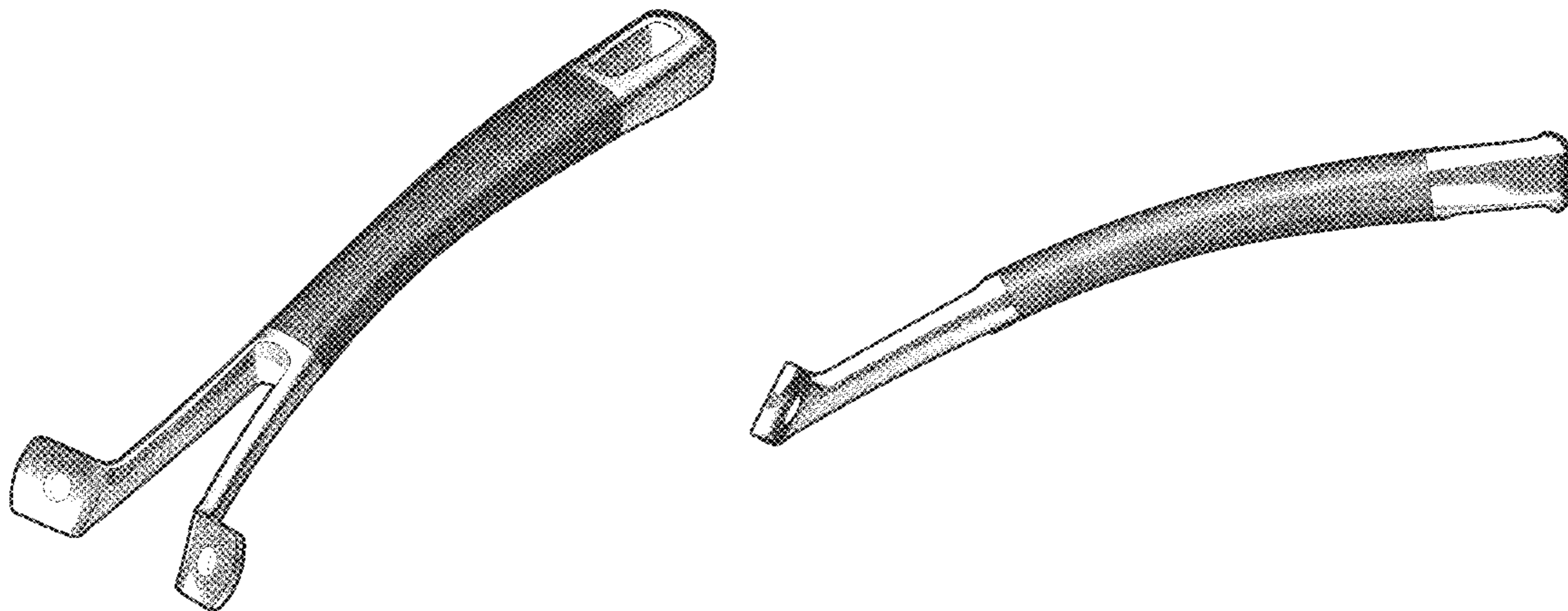
(57) **CLAIM**  
The ornamental design for an elongated side handle for cookware, as shown and described.

**DESCRIPTION**

FIG. 1 is a perspective view of the elongated side handle for cookware, showing my new design; FIG. 2 is a right side elevation view thereof; the left side elevation view being the mirror image thereof; FIG. 3 is a top plan view thereof; FIG. 4 is a bottom plan view thereof; FIG. 5 is a front elevation view thereof; and, FIG. 6 is a back elevation view thereof. The broken lines in FIGS. 1-6 are for illustrative purposes only, depicting the environment of the new design, forming no part thereof as claimed.

**1 Claim, 3 Drawing Sheets**

- (56) **References Cited**  
U.S. PATENT DOCUMENTS  
D567,579 S \* 4/2008 Rae ..... D7/393  
D578,345 S \* 10/2008 Rae ..... D7/393



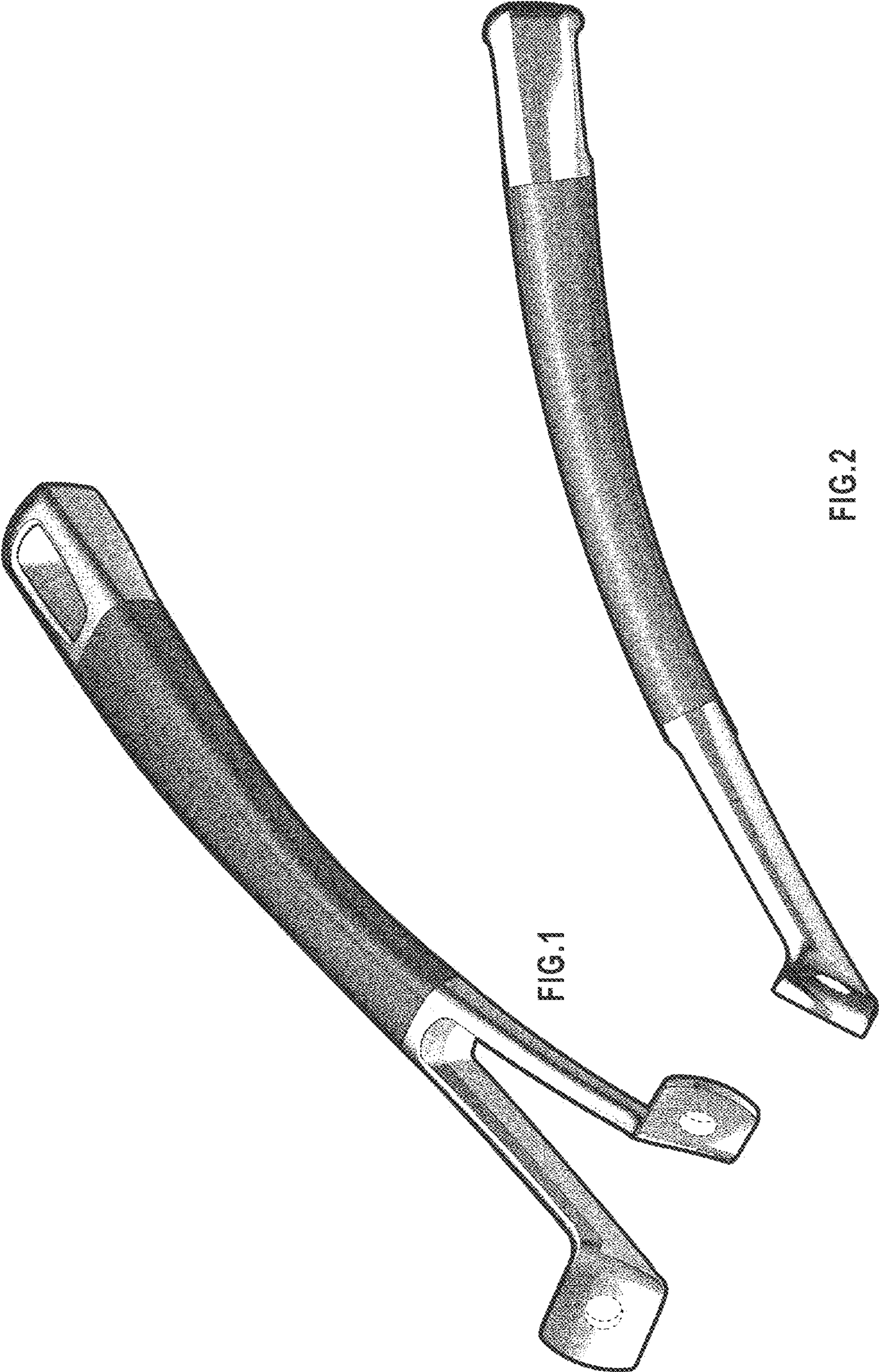


FIG.1

FIG.2



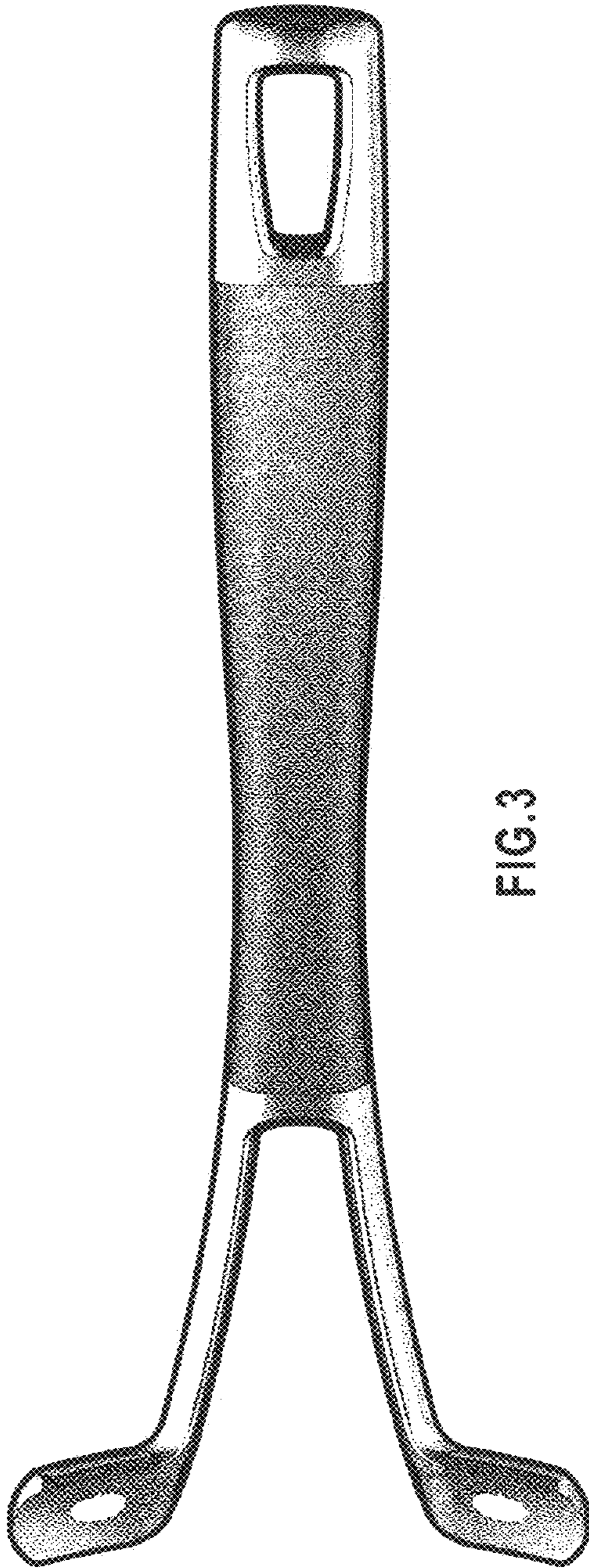


FIG.3

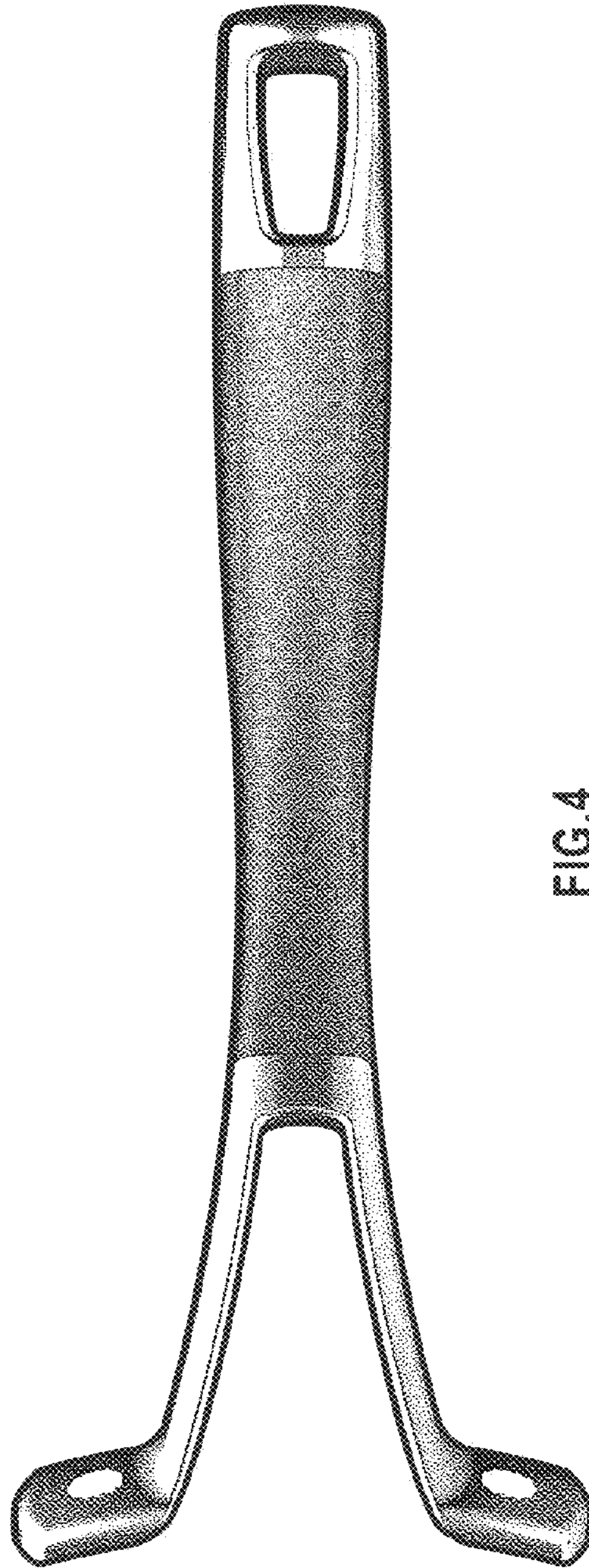


FIG.4

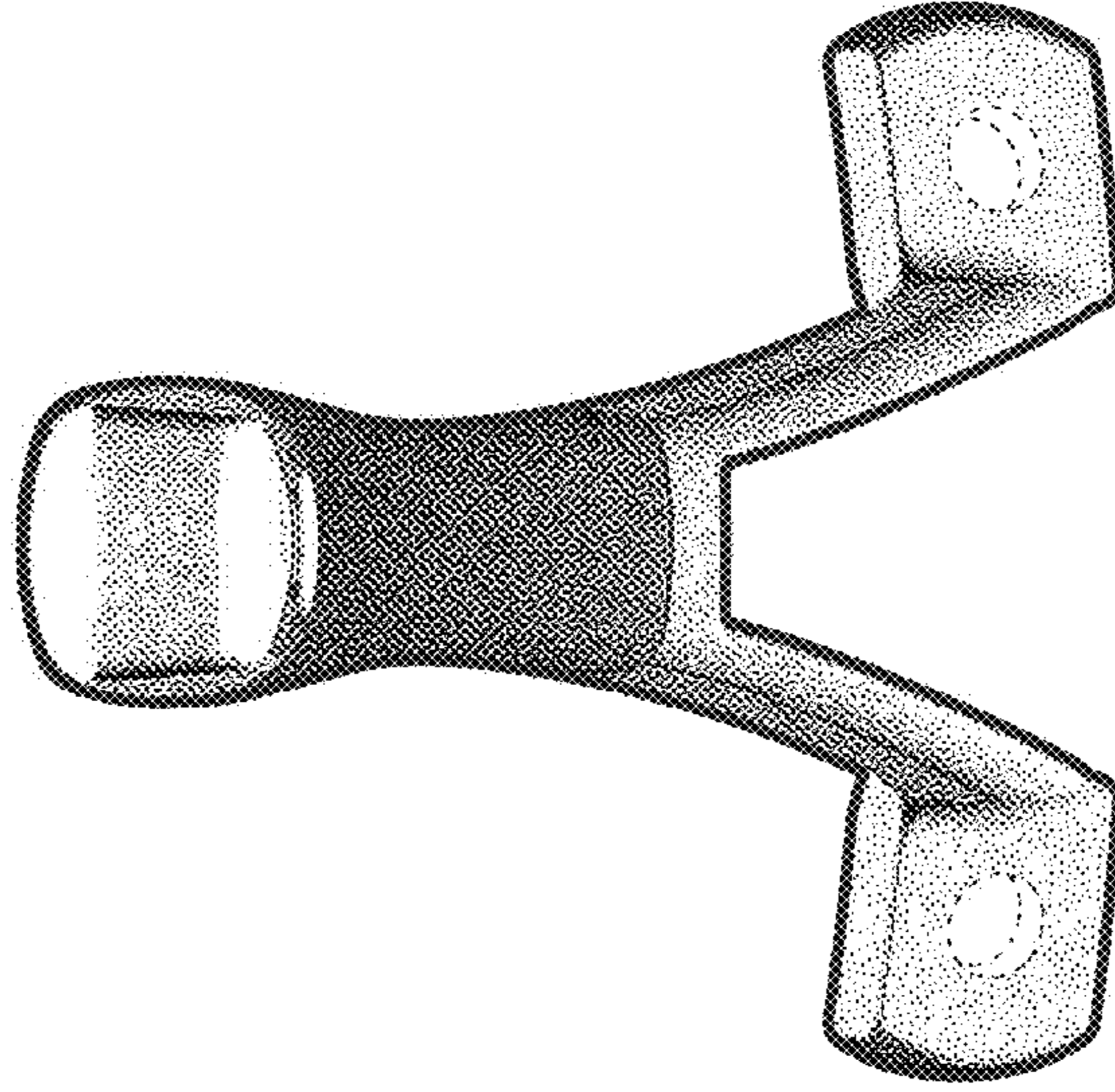


FIG. 6

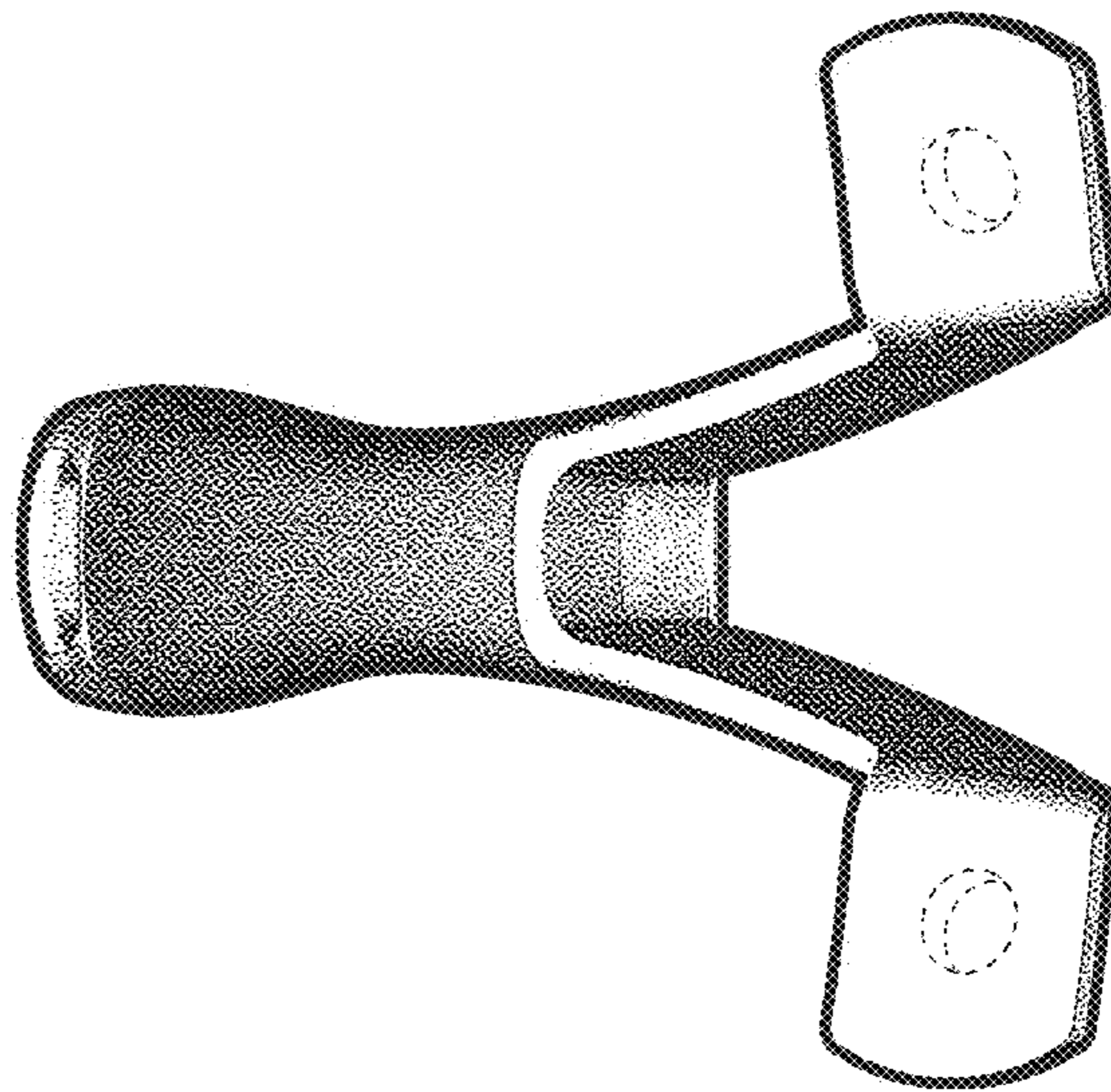


FIG. 5