



US00D699509S

(12) **United States Design Patent**  
**El-Saden et al.**

(10) **Patent No.:** **US D699,509 S**  
(45) **Date of Patent:** **\*\* Feb. 18, 2014**

- (54) **LID FOR BEVERAGE CONTAINER**
- (75) Inventors: **Sami M. El-Saden**, Winnetka, IL (US);  
**Daniel M. Wodka**, Chicago, IL (US);  
**Matthew Gerules**, Huntington Beach,  
CA (US)
- (73) Assignee: **Ignite USA, LLC**, Chicago, IL (US)
- (\*\*) Term: **14 Years**
- (21) Appl. No.: **29/428,260**
- (22) Filed: **Jul. 27, 2012**
- (51) **LOC (10) Cl.** ..... **07-02**
- (52) **U.S. Cl.**  
USPC ..... **D7/392.1**
- (58) **Field of Classification Search**  
USPC ..... D7/391, 392, 392.1, 396.2, 509-511,  
D7/523, 533, 900; D9/443, 446, 447, 449,  
D9/450, 454; 215/11.6, 44, 224, 229, 306,  
215/311; 220/3.75, 23.83, 212.5, 253, 292,  
220/714, 705; 222/83, 420, 450, 465.1,  
222/530, 543, 548  
  
See application file for complete search history.

- 4,133,446 A 1/1979 Albert
- 4,136,799 A 1/1979 Albert
- 4,171,060 A 10/1979 Howard et al.
- 4,212,408 A 7/1980 Valenzona
- 4,276,992 A 7/1981 Susich
- 4,303,173 A 12/1981 Negard
- D288,667 S 3/1987 Miner
- 4,686,725 A 8/1987 Mitchell
- 4,706,313 A 11/1987 Murphy
- 4,711,372 A 12/1987 Gach
- 4,712,704 A 12/1987 Ramsey et al.
- 4,779,766 A 10/1988 Kinsley
- 4,801,053 A 1/1989 Kaster
- 4,881,668 A 11/1989 Kitterman et al.
- 4,901,387 A 2/1990 Luke
- D315,872 S 4/1991 Bixler

(Continued)

*Primary Examiner* — Susan E Krakower

(74) *Attorney, Agent, or Firm* — McDermott Will & Emery  
LLP

(57) **CLAIM**

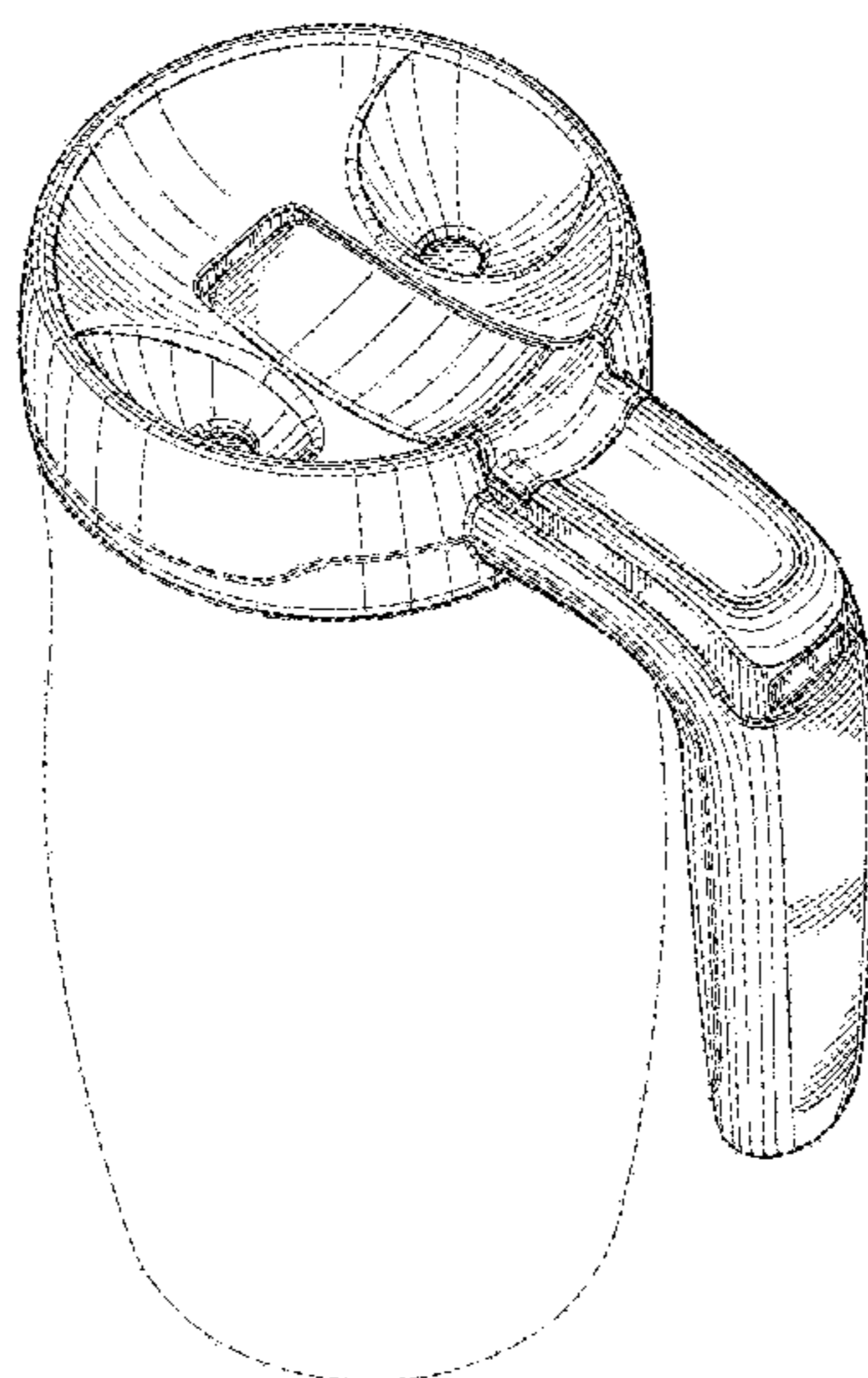
We claim the ornamental design for an lid for beverage con-  
tainer, as shown and described.

**DESCRIPTION**

FIG. 1 is a perspective view of a lid for beverage container showing our new design;  
FIG. 2 is a top view of the lid for beverage container of FIG. 1;  
FIG. 3 is a bottom view of the lid for beverage container of FIG. 1;  
FIG. 4 is a front view of the lid for beverage container of FIG. 1;  
FIG. 5 is a left side view of the lid for beverage container of FIG. 1; and,  
FIG. 6 is a rear view of the lid for beverage container of FIG. 1.  
The broken lines illustrate environmental structure and form no part of the claimed design.

**1 Claim, 5 Drawing Sheets**

- (56) **References Cited**  
U.S. PATENT DOCUMENTS
- 830,142 A 9/1906 Ebbing
- 1,072,588 A 9/1913 Duncan
- 2,193,232 A 3/1940 Hacmac
- 2,447,870 A 8/1948 Polcyn
- 2,622,420 A 12/1952 Rice
- 2,799,437 A 7/1957 Jepson
- 3,059,816 A 10/1962 Goldstein
- 3,635,380 A 1/1972 Fitzgerald
- 3,739,938 A 6/1973 Paz
- 3,964,631 A 6/1976 Albert
- 3,967,748 A 7/1976 Albert
- 3,972,443 A 8/1976 Albert
- 4,094,433 A 6/1978 Numbers
- 4,099,642 A 7/1978 Nergard



(56)

References Cited

U.S. PATENT DOCUMENTS

5,025,519	A	6/1991	Spann et al.	D471,808	S	3/2003	de Castro Couto
5,039,158	A	8/1991	Maier	6,557,717	B1	5/2003	Keck
5,070,560	A	12/1991	Wilkinson	6,623,080	B2	9/2003	Clapper
5,082,134	A	1/1992	Ramsey	D480,919	S *	10/2003	Bin ..... D7/533
D325,848	S *	5/1992	Embree ..... D7/510	6,644,490	B2	11/2003	Clarke
5,118,014	A	6/1992	Hestehave et al.	6,679,397	B2	1/2004	Smith et al.
5,153,977	A	10/1992	Toida et al.	6,701,556	B2	3/2004	Romano et al.
5,163,196	A	11/1992	Graebe et al.	6,702,137	B1	3/2004	Kowa et al.
5,169,016	A	12/1992	Hinz, Jr.	6,732,875	B2	5/2004	Smith et al.
5,179,742	A	1/1993	Oberle	6,732,876	B2	5/2004	Belcastro
5,186,353	A	2/1993	Ramsey	6,732,964	B2	5/2004	Couchey
5,199,597	A	4/1993	Gladish	6,763,964	B1	7/2004	Hurlbut et al.
5,222,623	A	6/1993	Eger et al.	6,782,574	B2	8/2004	Totton et al.
5,244,113	A	9/1993	Stymiest	D500,428	S *	1/2005	Ward et al. .... D7/392.1
5,249,703	A	10/1993	Karp	6,854,615	B2	2/2005	von Ronn et al.
5,252,278	A	10/1993	Spann et al.	D502,844	S	3/2005	Roho
5,307,950	A	5/1994	Li	6,874,185	B1	4/2005	Phillips et al.
D355,322	S	2/1995	Ackley et al.	D504,796	S *	5/2005	Schuler et al. .... D7/392.1
5,412,821	A	5/1995	Wilkinson	6,901,617	B2	6/2005	Sprouse, II et al.
5,427,271	A	6/1995	Wang	D508,185	S	8/2005	Gauss
5,461,741	A	10/1995	Graebe	6,922,863	B2	8/2005	Giori et al.
5,462,185	A	10/1995	Walker, III	6,928,681	B1	8/2005	Stacy
5,465,866	A	11/1995	Belcastro	6,952,852	B2	10/2005	Reeder et al.
5,477,980	A	12/1995	Chaffin	D511,653	S *	11/2005	Oas ..... D7/507
5,485,938	A	1/1996	Boersma	6,976,281	B2	12/2005	Schunk et al.
D367,611	S	3/1996	Wagner et al.	6,978,910	B2	12/2005	Sanders et al.
D373,927	S	9/1996	Kramer et al.	D513,452	S	1/2006	Parve
5,570,797	A	11/1996	Yeh	7,011,227	B2	3/2006	Ward et al.
5,573,139	A	11/1996	Yeh	D522,794	S	6/2006	Imai
5,580,504	A	12/1996	Spann et al.	D523,340	S	6/2006	Westphal
5,586,346	A	12/1996	Stacy et al.	7,073,678	B1	7/2006	Dibdin et al.
5,596,781	A	1/1997	Graebe	D526,898	S	8/2006	Isono et al.
5,606,754	A	3/1997	Hand et al.	D526,899	S	8/2006	Mangin et al.
5,630,238	A	5/1997	Weismiller et al.	D527,219	S *	8/2006	Trombly ..... D7/392.1
5,649,331	A	7/1997	Wilkinson et al.	7,086,107	B2	8/2006	Ellis et al.
5,652,985	A	8/1997	Wilkinson et al.	D529,761	S	10/2006	Trombly
5,666,681	A	9/1997	Meyer et al.	D533,064	S	12/2006	Glynn et al.
5,680,951	A	10/1997	Feltman, III et al.	D533,403	S *	12/2006	Bhavnani ..... D7/510
5,689,845	A	11/1997	Sobieralski	D534,038	S *	12/2006	Kramer et al. .... D7/510
D386,948	S	12/1997	Wissinger	D535,854	S *	1/2007	Schreitmueller ..... D7/398
5,753,289	A	5/1998	Ness	D536,213	S *	2/2007	Schuler et al. .... D7/392.1
D394,778	S	6/1998	Arns et al.	7,195,137	B2	3/2007	Belcastro
D396,777	S *	8/1998	Inoue ..... D7/511	D540,625	S	4/2007	Sandberg
D397,905	S	9/1998	Hsu	7,201,288	B2	4/2007	von Ronn et al.
5,845,352	A	12/1998	Matsler et al.	D541,572	S	5/2007	Watanabe
D404,613	S	1/1999	Hatsumoto et al.	D544,300	S	6/2007	Tien
D406,006	S	2/1999	Hatsumoto et al.	D545,128	S *	6/2007	Liu et al. .... D7/507
D408,221	S	4/1999	Asberg	D545,129	S *	6/2007	Tien ..... D7/510
D416,755	S	11/1999	Trombly	7,229,134	B2	6/2007	Ito
5,987,668	A	11/1999	Ackley	D547,122	S	7/2007	Gluck
D417,360	S	12/1999	Bickert et al.	D547,611	S	7/2007	Seum et al.
6,010,029	A	1/2000	Wang	D548,008	S	8/2007	Lin
6,036,271	A	3/2000	Wilkinson et al.	D548,508	S	8/2007	Tonelli
6,053,474	A	4/2000	Stucke et al.	D550,035	S *	9/2007	Tien ..... D7/510
6,098,834	A	8/2000	Hatsumoto et al.	D552,990	S	10/2007	Vogel
6,102,244	A	8/2000	Kuwano et al.	D554,433	S	11/2007	Gluck
D431,159	S *	9/2000	Otake ..... D7/510	D554,992	S	11/2007	Mangin et al.
6,119,291	A	9/2000	Osborne et al.	D555,000	S	11/2007	Bunce et al.
6,126,035	A	10/2000	Schaper et al.	D555,514	S	11/2007	Munn
6,158,608	A	12/2000	Schlattl	D555,970	S	11/2007	Schreitmueller et al.
RE37,016	E	1/2001	Morano	D558,111	S	12/2007	Banks, III
D437,229	S	2/2001	Andrew	D560,435	S	1/2008	Meehan
6,223,369	B1	5/2001	Maier et al.	D563,168	S *	3/2008	Gibbons et al. .... D7/510
6,276,560	B1	8/2001	Belcastro	D564,840	S	3/2008	Williams
D447,693	S	9/2001	Warner et al.	D564,841	S	3/2008	Clemens et al.
6,324,709	B1	12/2001	Ikeda et al.	D564,874	S	3/2008	Mangin et al.
6,351,863	B1	3/2002	Meyer et al.	D569,182	S	5/2008	Homma
6,352,166	B1	3/2002	Copeland	D572,531	S	7/2008	Romandy et al.
D455,609	S *	4/2002	Mandel et al. .... D7/510	D573,404	S	7/2008	Wahl
6,401,990	B1	6/2002	Walters et al.	7,413,096	B2	8/2008	Morgan et al.
D460,894	S	7/2002	Ziegenfus et al.	D577,582	S	9/2008	Walsh et al.
D462,575	S *	9/2002	Gluck ..... D7/510	D577,958	S	10/2008	Homma
6,443,325	B1	9/2002	Schaper et al.	D581,727	S	12/2008	Pinelli et al.
6,471,085	B1	10/2002	Gallo	D584,107	S	1/2009	George
D470,009	S	2/2003	Turchi et al.	D587,060	S	2/2009	Tong Chi Chung
				D587,969	S	3/2009	Gilbert
				D588,411	S	3/2009	Watanabe
				D589,750	S	4/2009	Liu et al.
				D592,012	S	5/2009	Carreno

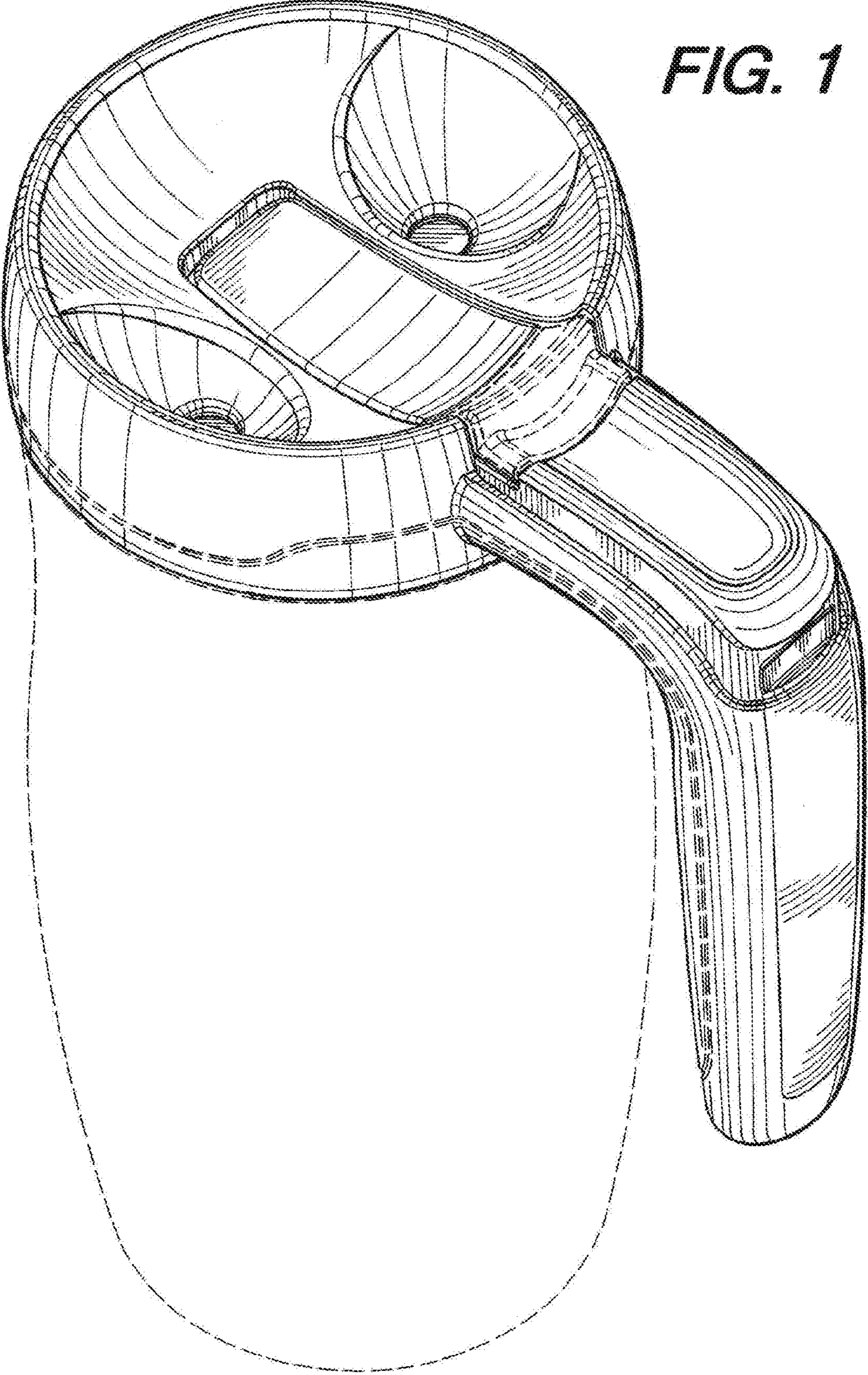
(56)

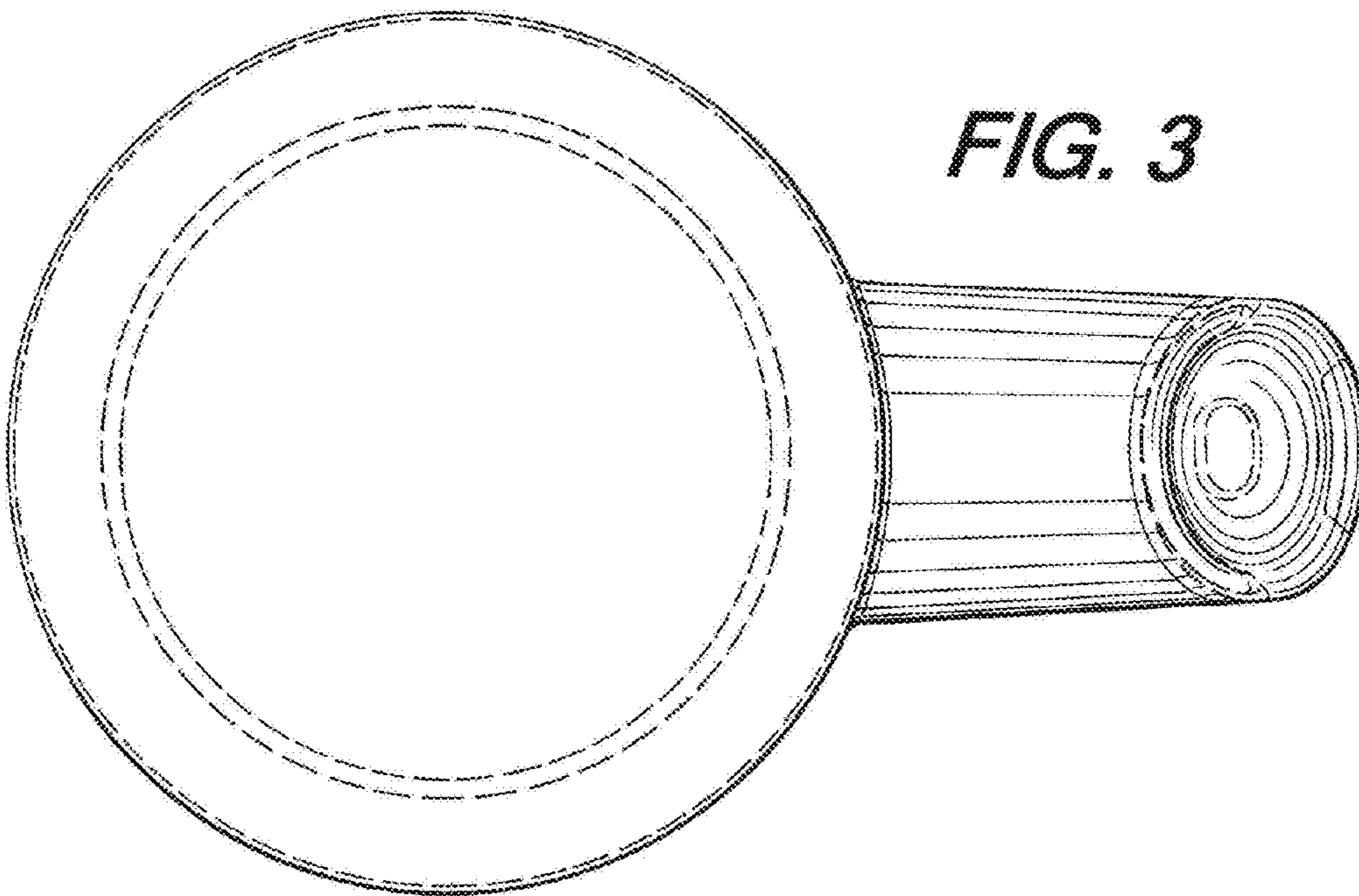
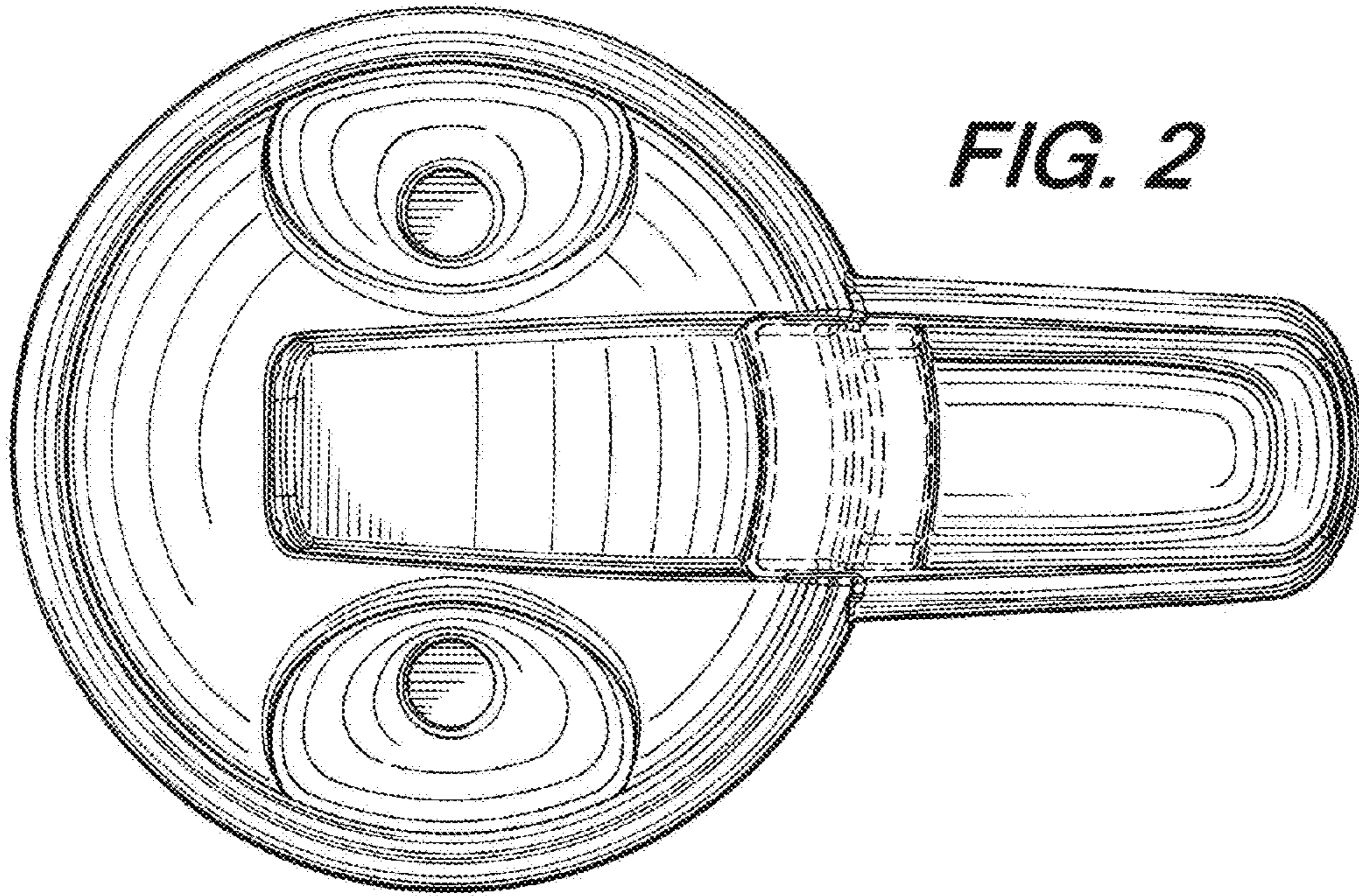
**References Cited**

U.S. PATENT DOCUMENTS

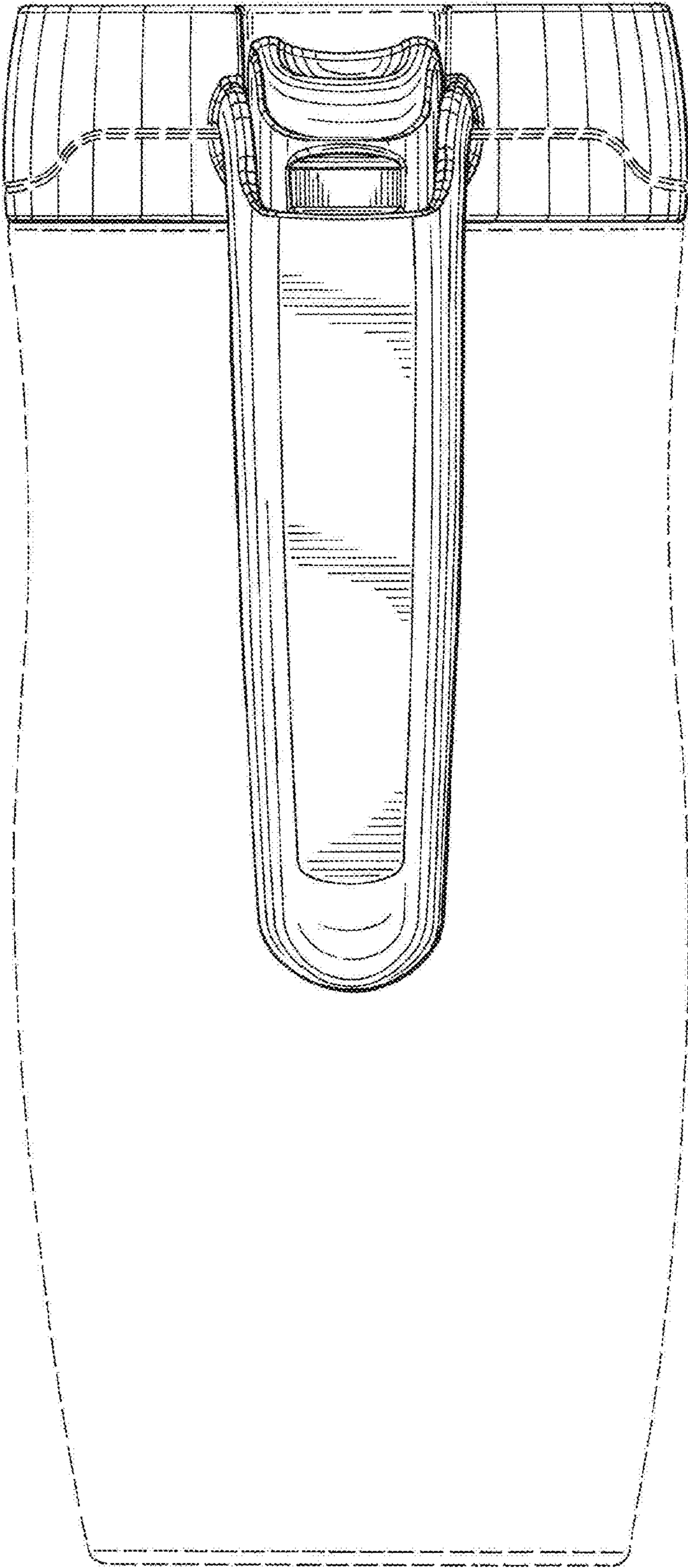
D592,456 S	5/2009	Pinelli	
D592,905 S	5/2009	Pinelli	
D592,913 S	5/2009	Pinelli	
7,546,933 B2	6/2009	Pinelli	
D598,712 S *	8/2009	Alviar et al.	D7/510
D604,103 S *	11/2009	Alviar et al.	D7/533
D606,808 S *	12/2009	Germann	D7/510
D611,764 S	3/2010	Wahl et al.	
D622,549 S *	8/2010	Carreno	D7/533
D623,473 S	9/2010	Chen	
D623,474 S	9/2010	Carlson et al.	
D623,476 S	9/2010	Carlson et al.	
D629,645 S *	12/2010	Chin et al.	D7/392.1
D629,653 S	12/2010	Gullickson et al.	
D632,132 S *	2/2011	George	D7/510
D632,926 S *	2/2011	Gilbert et al.	D7/510
D634,161 S	3/2011	Roth et al.	
RE42,484 E	6/2011	Kitamura et al.	
D640,094 S	6/2011	Carlson et al.	
7,997,442 B2	8/2011	Pinelli	
D648,985 S	11/2011	Chiu et al.	
D656,787 S	4/2012	Phillips et al.	
D658,443 S	5/2012	Chiu et al.	
D666,052 S *	8/2012	Trombly	D7/392.1
2003/0071041 A1	4/2003	Vogel	
2005/0028289 A1	2/2005	Hakamiun	
2006/0043091 A1	3/2006	Pinelli et al.	
2006/0226160 A1	10/2006	Elsaden et al.	

\* cited by examiner

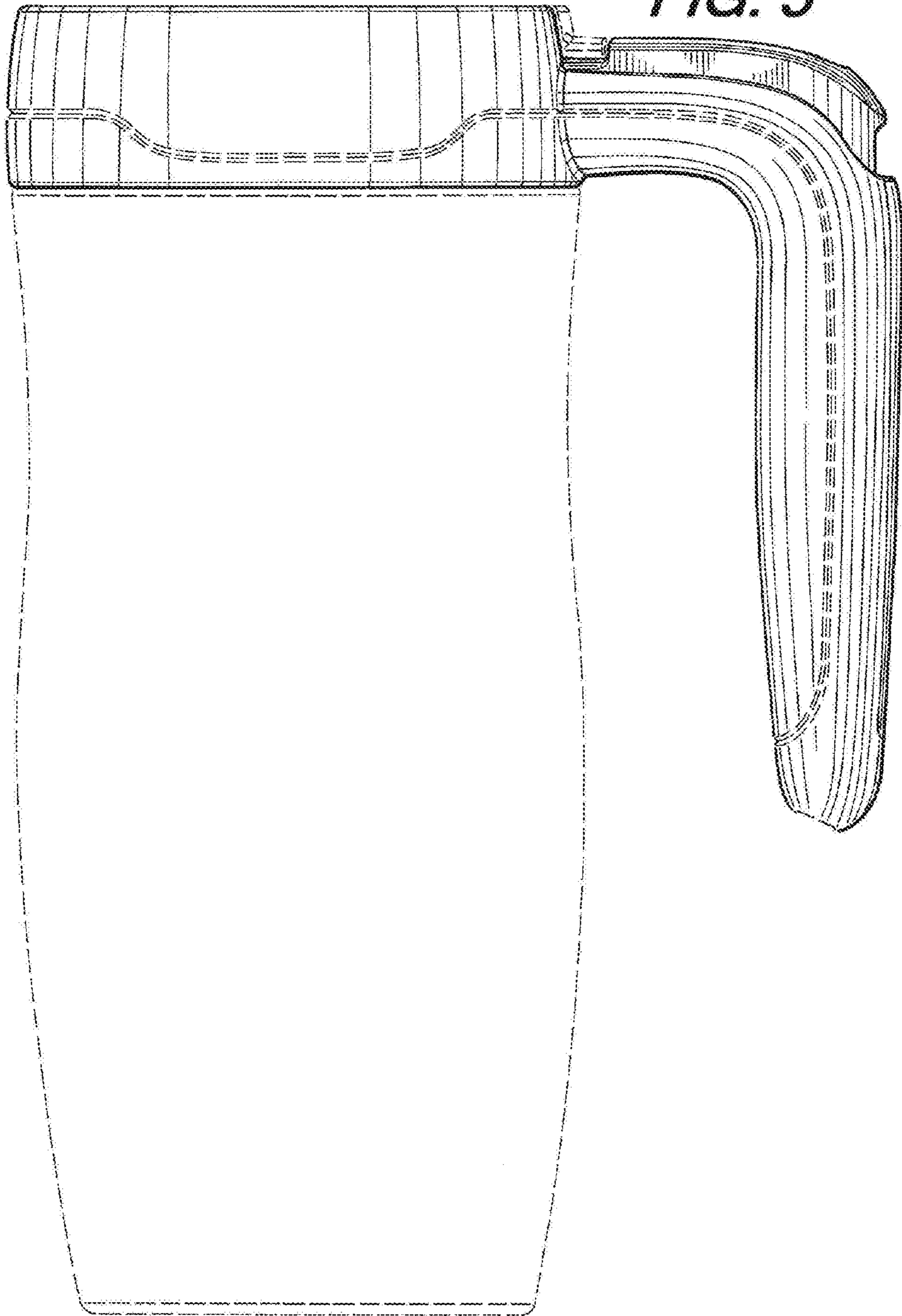




**FIG. 4**



*FIG. 5*



**FIG. 6**

