

US00D699506S

(12) **United States Design Patent**
Lee

(10) **Patent No.:** **US D699,506 S**

(45) **Date of Patent:** **** Feb. 18, 2014**

(54) **ROAST PAN**

(71) Applicant: **Jin Hee Lee**, Goyang-si (KR)

(72) Inventor: **Jin Hee Lee**, Goyang-si (KR)

(**) Term: **14 Years**

(21) Appl. No.: **29/456,386**

(22) Filed: **May 30, 2013**

(30) **Foreign Application Priority Data**

Dec. 14, 2012 (KR) 30-2012-0060413

(51) **LOC (10) Cl.** **07-02**

(52) **U.S. Cl.**
USPC **D7/361; D7/354**

(58) **Field of Classification Search**
USPC D7/323, 329-332, 337-339, 346-347,
D7/350.1-350.4, 352-367, 391-395,
D7/396.1, 402-409, 538, 542-543,
D7/554.2-554.4, 557, 566, 587, 665;
D9/430; 99/324-327, 330-347, 369,
99/366, 372, 377, 400-419, 422-426,
99/444-446, 483; 126/37 R, 41 R, 261,
126/332, 378.1, 390.1; 219/386-387, 400,
219/405, 429-442, 452.11, 521-525,
219/620-624, 725, 730-735; 220/23.88,
220/314-315, 485, 573.1-573.5, 592.16,
220/912; 426/438, 441, 523

See application file for complete search history.

(56) **References Cited**

U.S. PATENT DOCUMENTS

D186,900 S *	12/1959	Griese, Jr.	D7/361
D195,524 S *	6/1963	Patton, Jr.	D7/587
D253,333 S *	11/1979	Carr et al.	D7/359
D270,887 S *	10/1983	Allgeyer et al.	D7/359
D341,539 S *	11/1993	Davis et al.	D9/430
D427,842 S *	7/2000	Iacchetti	D7/359
D434,946 S *	12/2000	Jarvis	D7/554.4
D442,429 S *	5/2001	Liu	D7/396.1
D443,479 S *	6/2001	Indekeu	D7/566
D444,350 S *	7/2001	Indekeu	D7/566
D525,078 S *	7/2006	Hoenstein	D7/359
D540,616 S *	4/2007	Nichols et al.	D7/354
D580,700 S *	11/2008	Corcoran	D7/354

* cited by examiner

Primary Examiner — Ricky Pham

(74) *Attorney, Agent, or Firm* — Kile Park Reed & Houtteman PLLC

(57) **CLAIM**

I claim, the ornamental design for a roast pan, as shown and described.

DESCRIPTION

FIG. 1 is a top and front perspective view of a roast pan, showing my new design;
FIG. 2 is a front view thereof;
FIG. 3 is a rear view thereof;
FIG. 4 is a left side view thereof;
FIG. 5 is a right side view thereof;
FIG. 6 is a top plan view thereof; and,
FIG. 7 is a bottom plan view thereof.

1 Claim, 7 Drawing Sheets

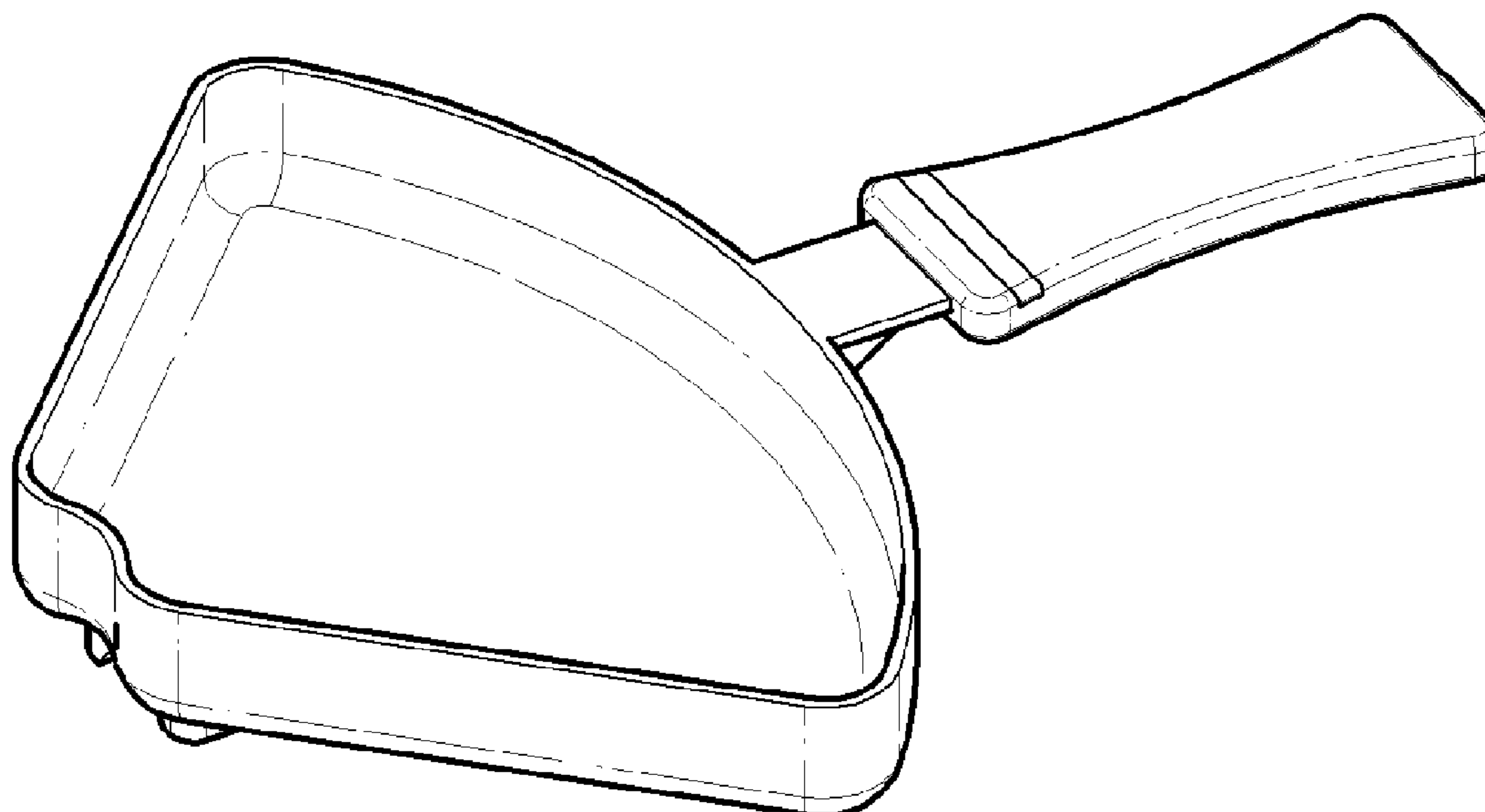


FIG. 1

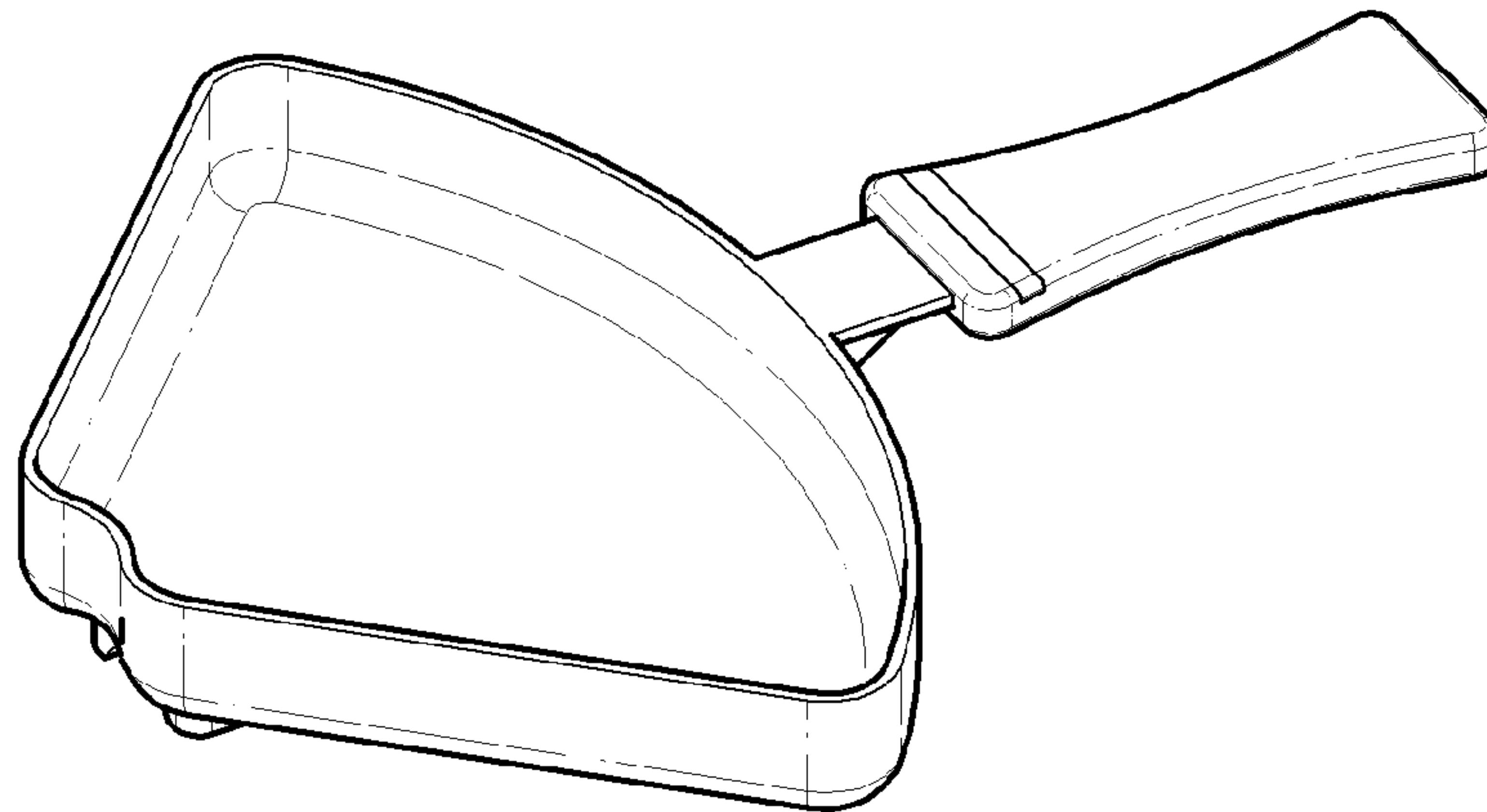


FIG. 2

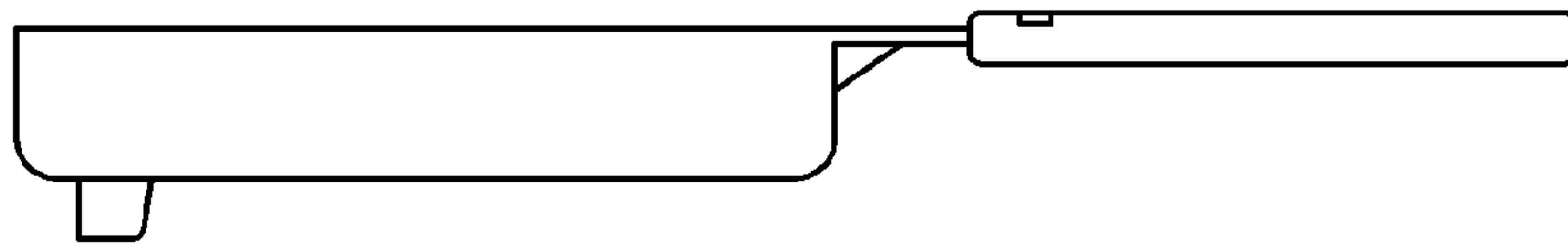


FIG. 3

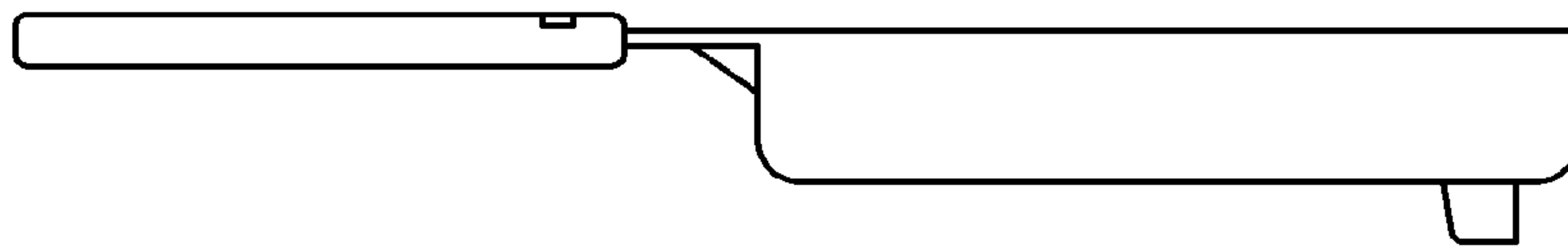


FIG. 4

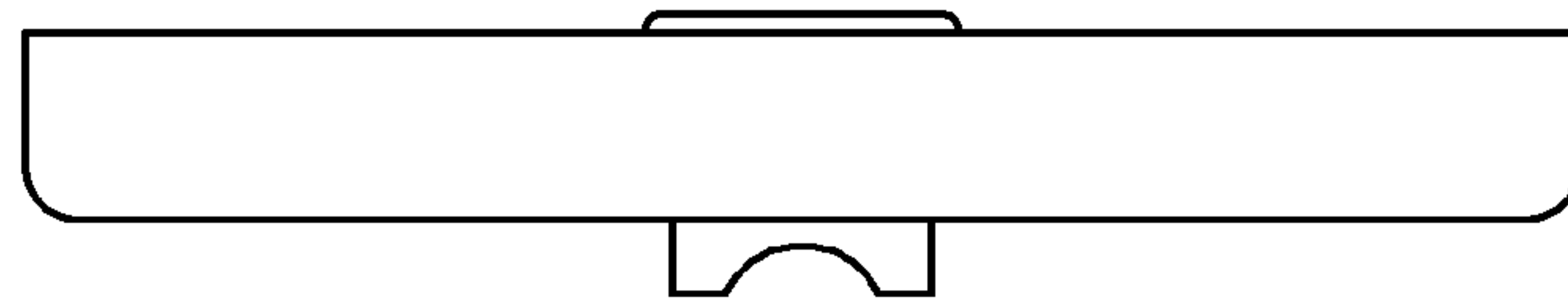


FIG. 5

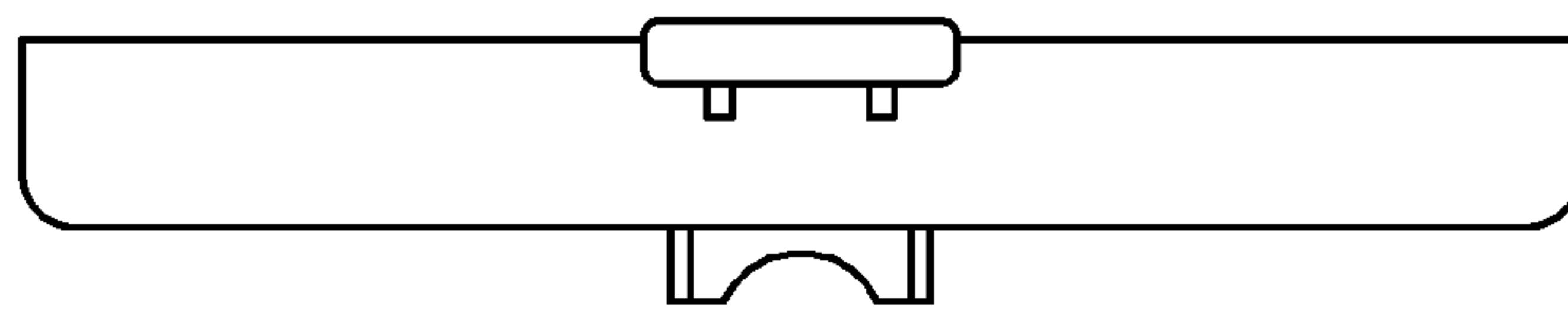


FIG. 6

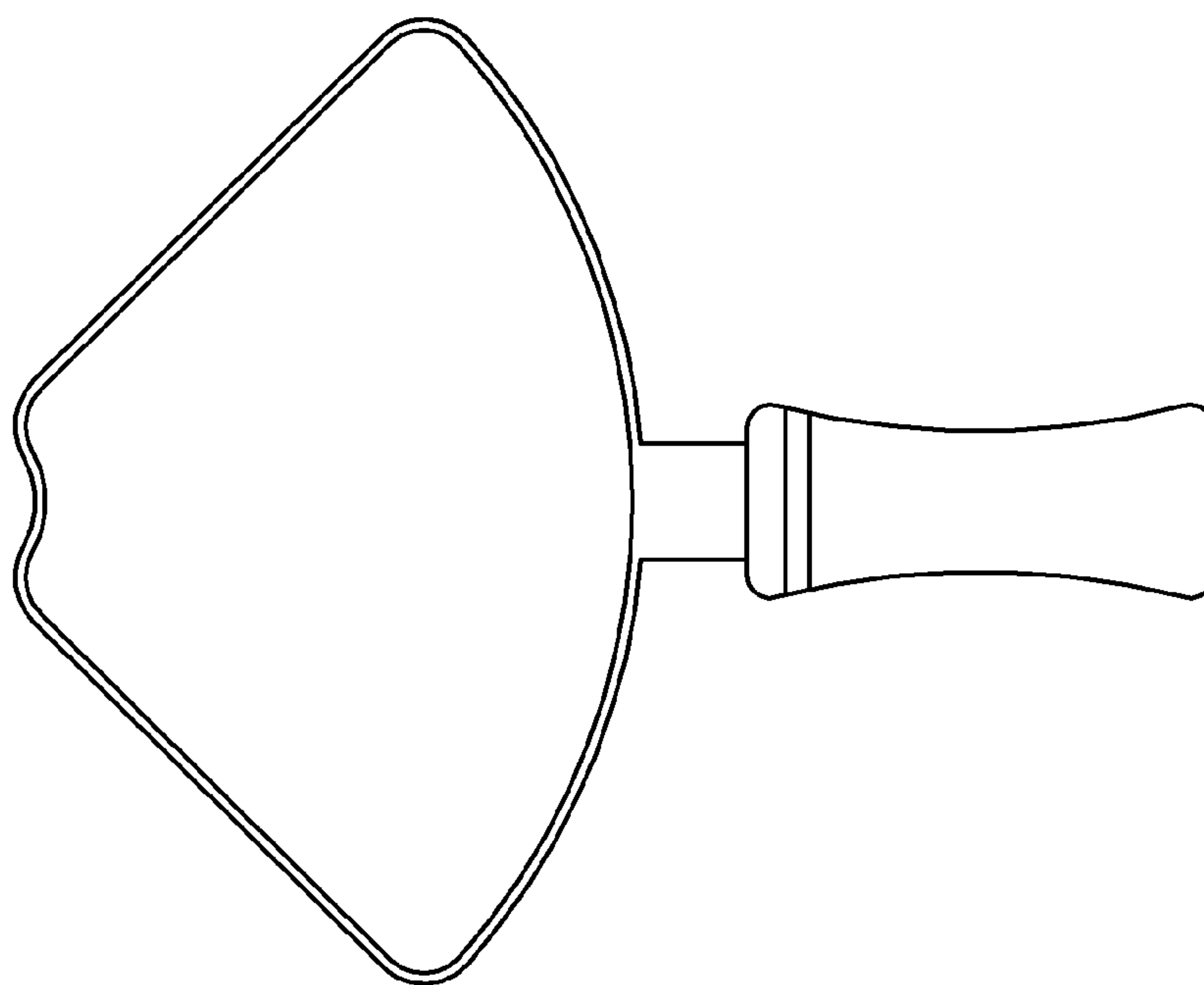


FIG. 7

