

US00D699505S

(12) **United States Design Patent**
Kadva et al.

(10) **Patent No.:** **US D699,505 S**
(45) **Date of Patent:** **** Feb. 18, 2014**

(54) **MICROWAVE COOKING TRAY**

(56) **References Cited**

(71) Applicants: **Kayomars Kadva**, Liverpool (AU);
Kersi Kadva, Liverpool (AU)

U.S. PATENT DOCUMENTS

(72) Inventors: **Kayomars Kadva**, Liverpool (AU);
Kersi Kadva, Liverpool (AU)

471,198	A *	3/1892	Sevey	83/762
1,072,450	A *	9/1913	Hamblin	83/762
1,462,717	A *	7/1923	Maus	269/13
1,753,371	A *	4/1930	Georgopoulos	83/466.1
D135,413	S *	4/1943	De Long	D7/673
2,398,192	A *	4/1946	Scheminger, Jr.	83/762
2,592,657	A *	4/1952	Cierley	83/543
3,405,631	A *	10/1968	Thomas, Jr.	99/426
D253,329	S *	11/1979	Latham	D7/673
4,599,928	A *	7/1986	Oker	83/581.1
4,756,519	A *	7/1988	Lilja	269/302.1
4,964,323	A *	10/1990	Fortney	83/167
D316,657	S *	5/1991	Mulherin	D7/673
5,287,784	A *	2/1994	Brockett	83/762
5,386,755	A *	2/1995	Schneider et al.	83/762
D362,374	S *	9/1995	Roach	D7/673
D372,846	S *	8/1996	Fortney	D7/673
5,598,759	A *	2/1997	Sie et al.	83/762
5,653,154	A *	8/1997	Liu et al.	83/762
5,680,803	A *	10/1997	Vizurraga et al.	83/762
D389,380	S *	1/1998	Liu et al.	D7/673
5,823,079	A *	10/1998	Liu et al.	83/13
D401,119	S *	11/1998	Demore	D7/609
5,907,989	A *	6/1999	Sie et al.	83/762
6,451,262	B1 *	9/2002	Chiodo	422/536
2012/0297991	A1 *	11/2012	Hueser	99/547

(**) Term: **14 Years**

(21) Appl. No.: **29/452,447**

(22) Filed: **Apr. 16, 2013**

(30) **Foreign Application Priority Data**

Oct. 18, 2012 (AU) 15165/2012

(51) **LOC (10) Cl.** **07-02**

(52) **U.S. Cl.**
USPC **D7/359; D7/354**

(58) **Field of Classification Search**
USPC D7/323, 329-331, 337, 339, 346-347,
D7/350.1-350.4, 352-367, 387-388, 391,
D7/392.1, 393, 395, 402, 407-410, 500,
D7/505, 538-545, 552.1, 552.2, 553.2,
D7/554.3, 555, 566, 584-587, 602-609,
D7/637, 672-674, 698, 701; 83/13, 167,
83/466.1, 543, 581.1, 762; 99/324-325,
99/331-332, 337-349, 358, 369-376, 380,
99/389, 400-418, 422-426, 441-446, 483,
99/547; 126/9 B, 37 R, 261, 376.1, 378.1;
206/315.9, 445, 499, 501-505,
206/507-508, 518; 219/386, 400, 405,
219/429-442, 450.1, 452.13, 460.1,
219/620-624, 725, 730-735;
220/4.21-4.24, 23.8, 315,
220/573.1-573.5, 626, 629, 675, 743, 756,
220/769, 912; 269/13, 302.1; 422/536

See application file for complete search history.

* cited by examiner

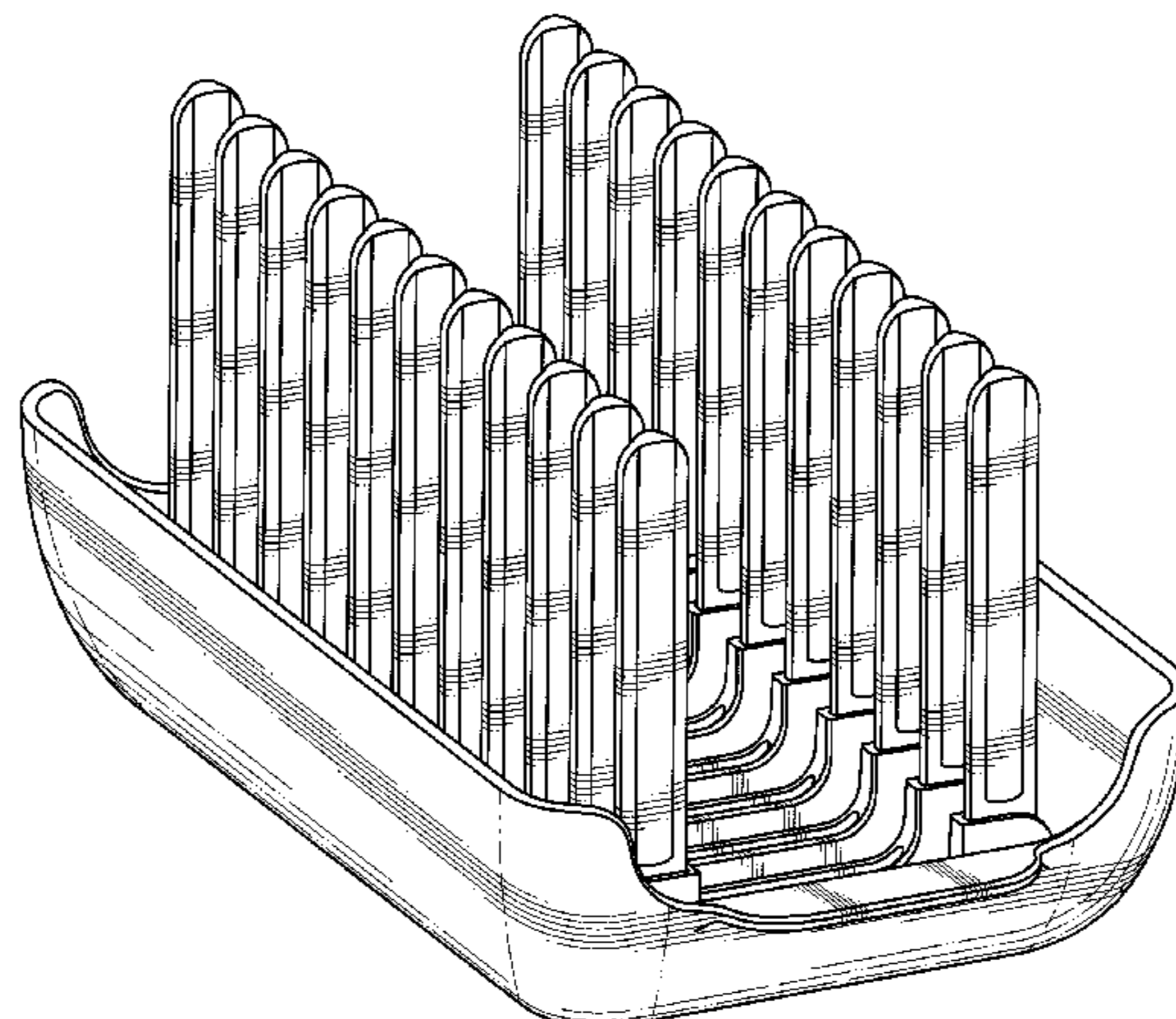
Primary Examiner — Ricky Pham
(74) *Attorney, Agent, or Firm* — Keller Jolley Preece

(57) **CLAIM**
The ornamental design for a microwave cooking tray, as shown and described.

DESCRIPTION

FIG. 1 is a perspective view of a microwave cooking tray including our design;
FIG. 2 is front elevational view thereof;
FIG. 3 is a back elevational view thereof;
FIG. 4 is a left-side elevational view thereof;
FIG. 5 is a right-side elevational view thereof;
FIG. 6 is a top plan view thereof; and,
FIG. 7 is a bottom plan view thereof.

1 Claim, 7 Drawing Sheets



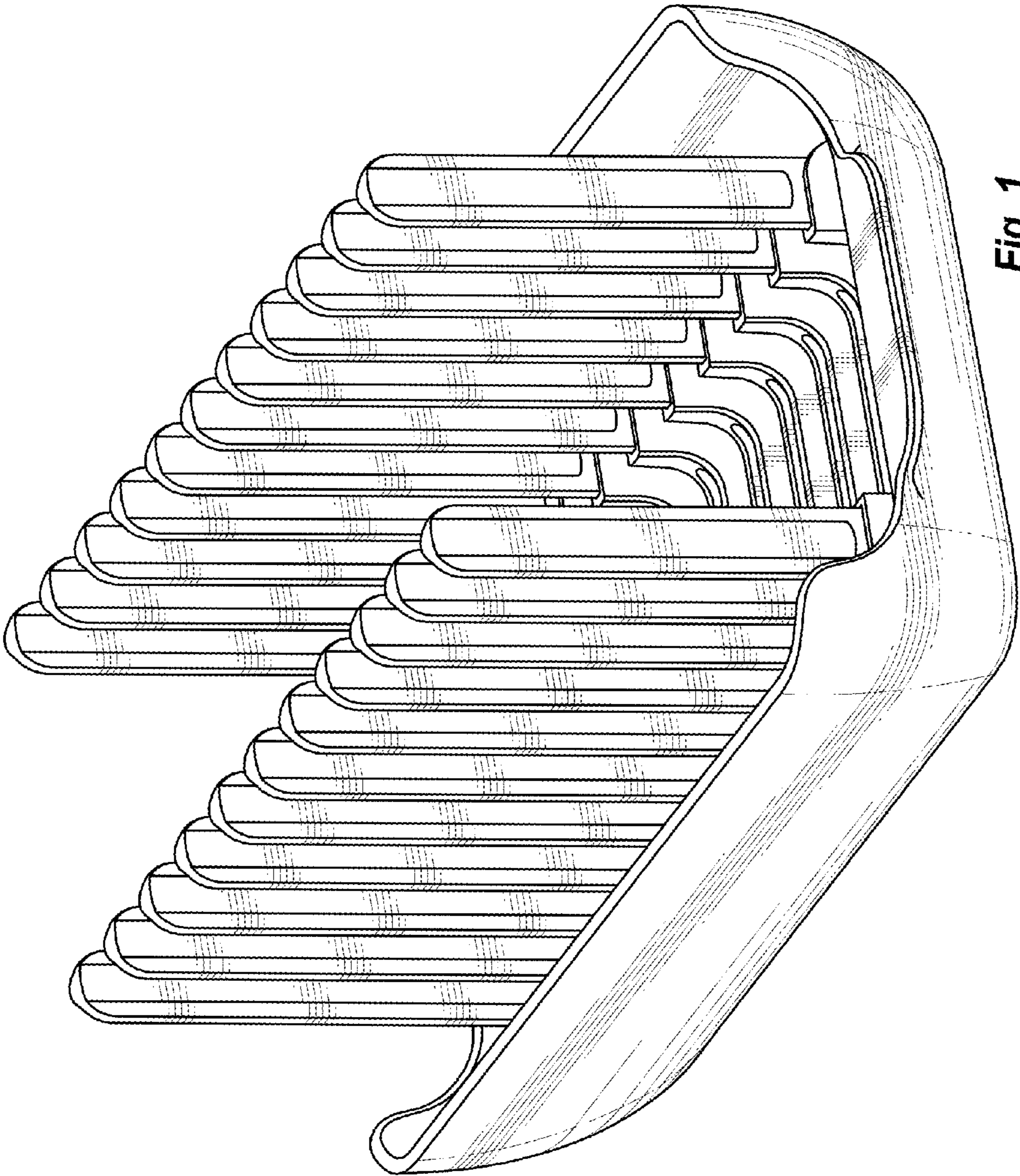


Fig. 1

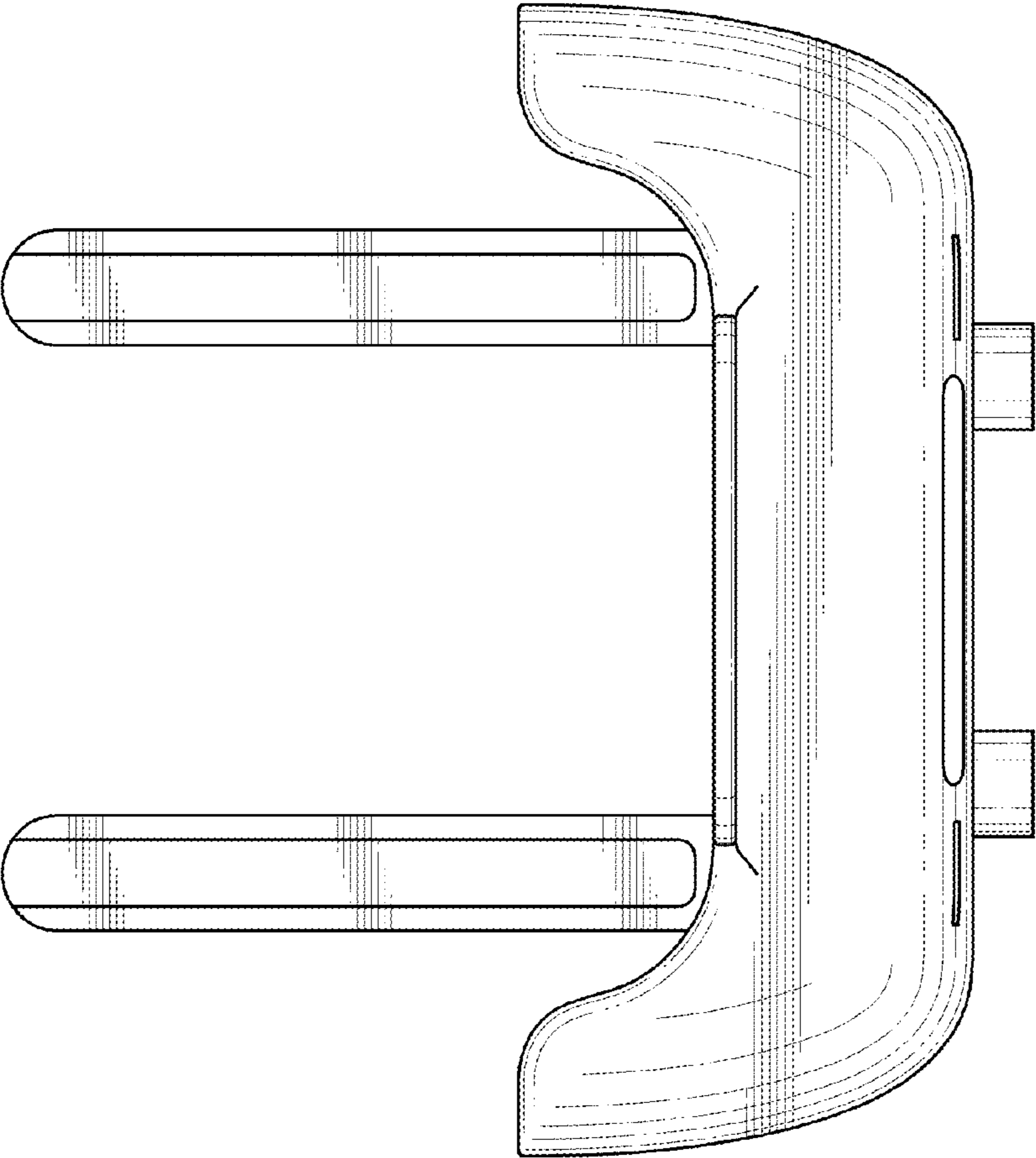


Fig. 2

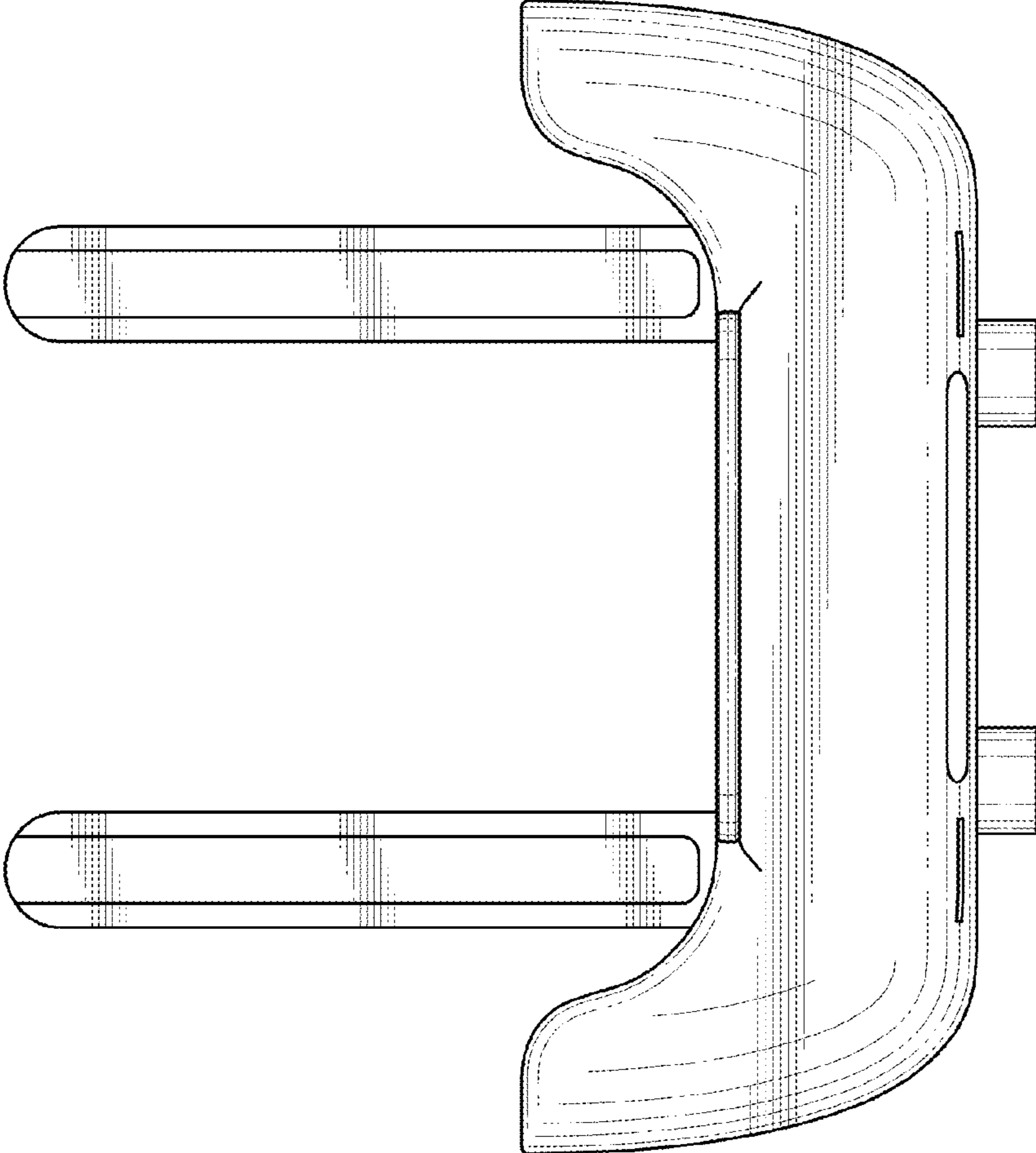


Fig. 3

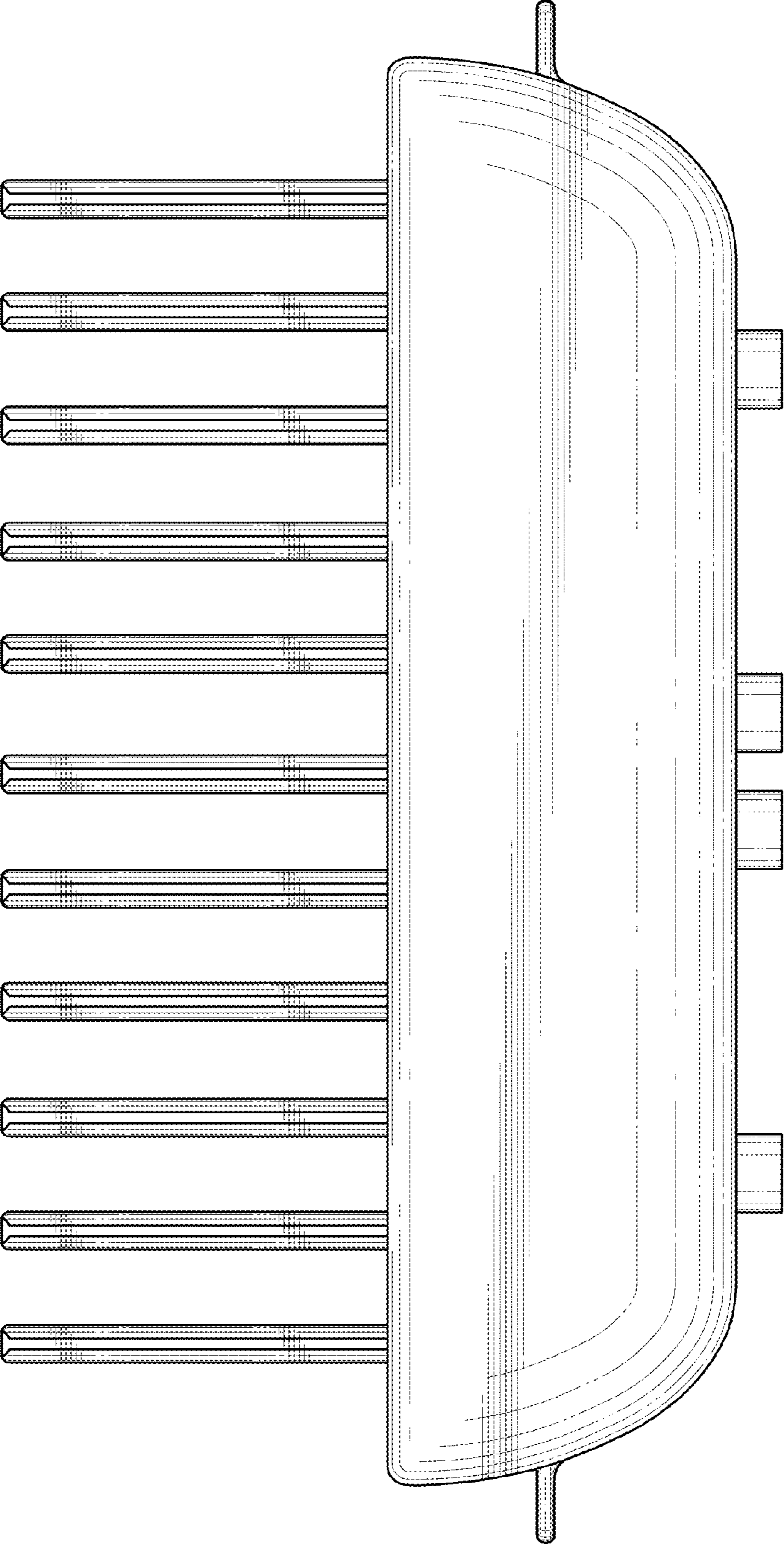


Fig. 4

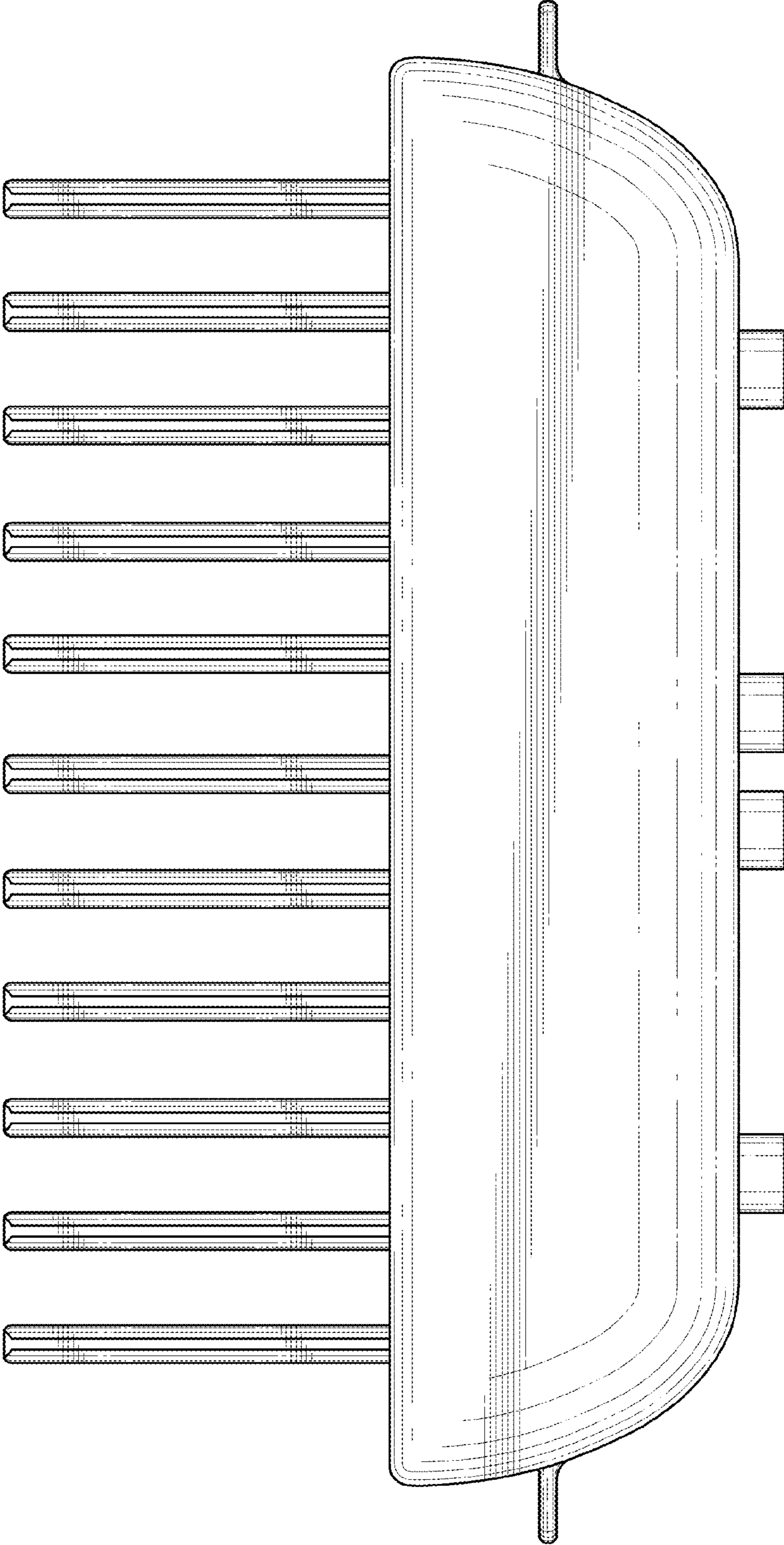


Fig. 5

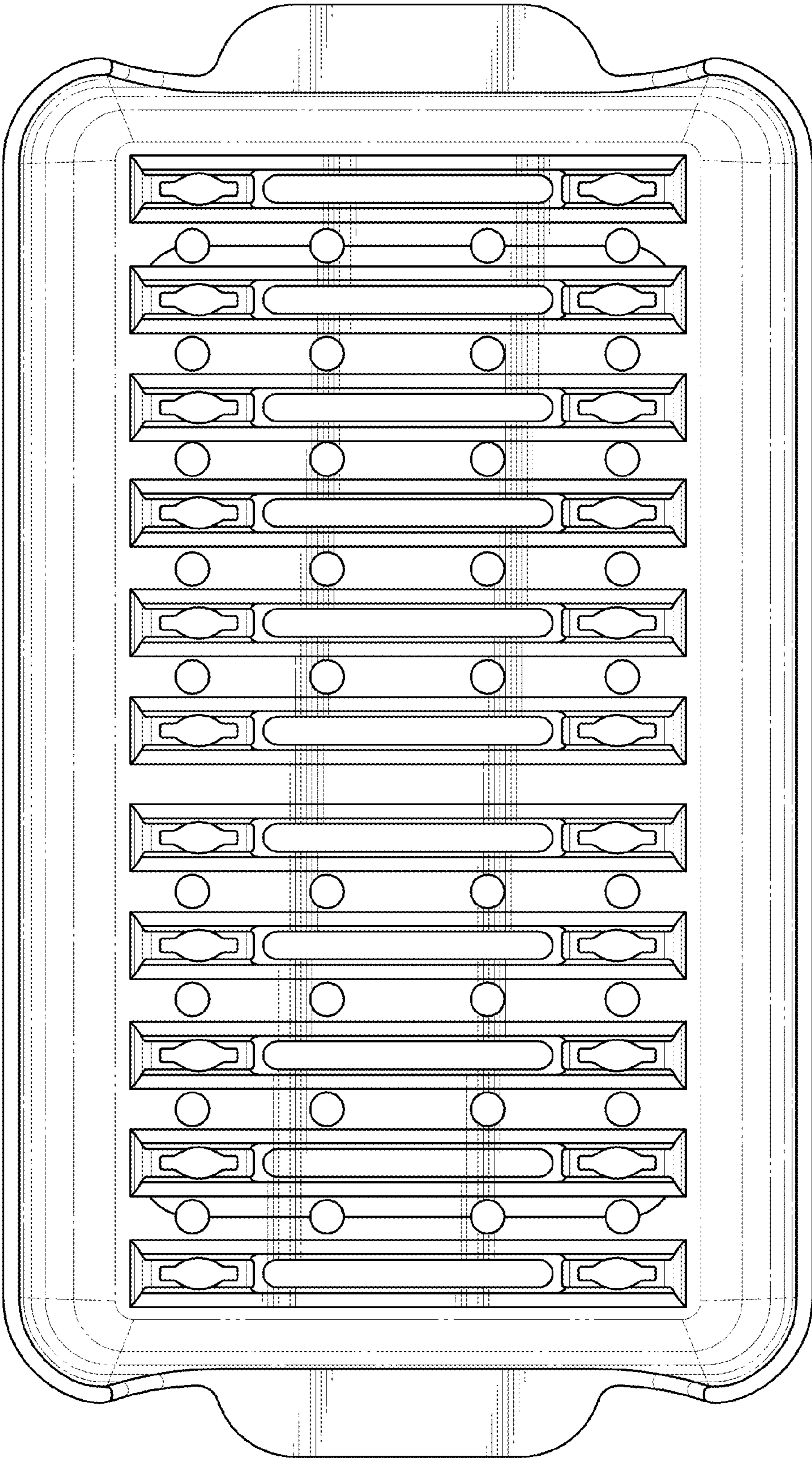


Fig. 6

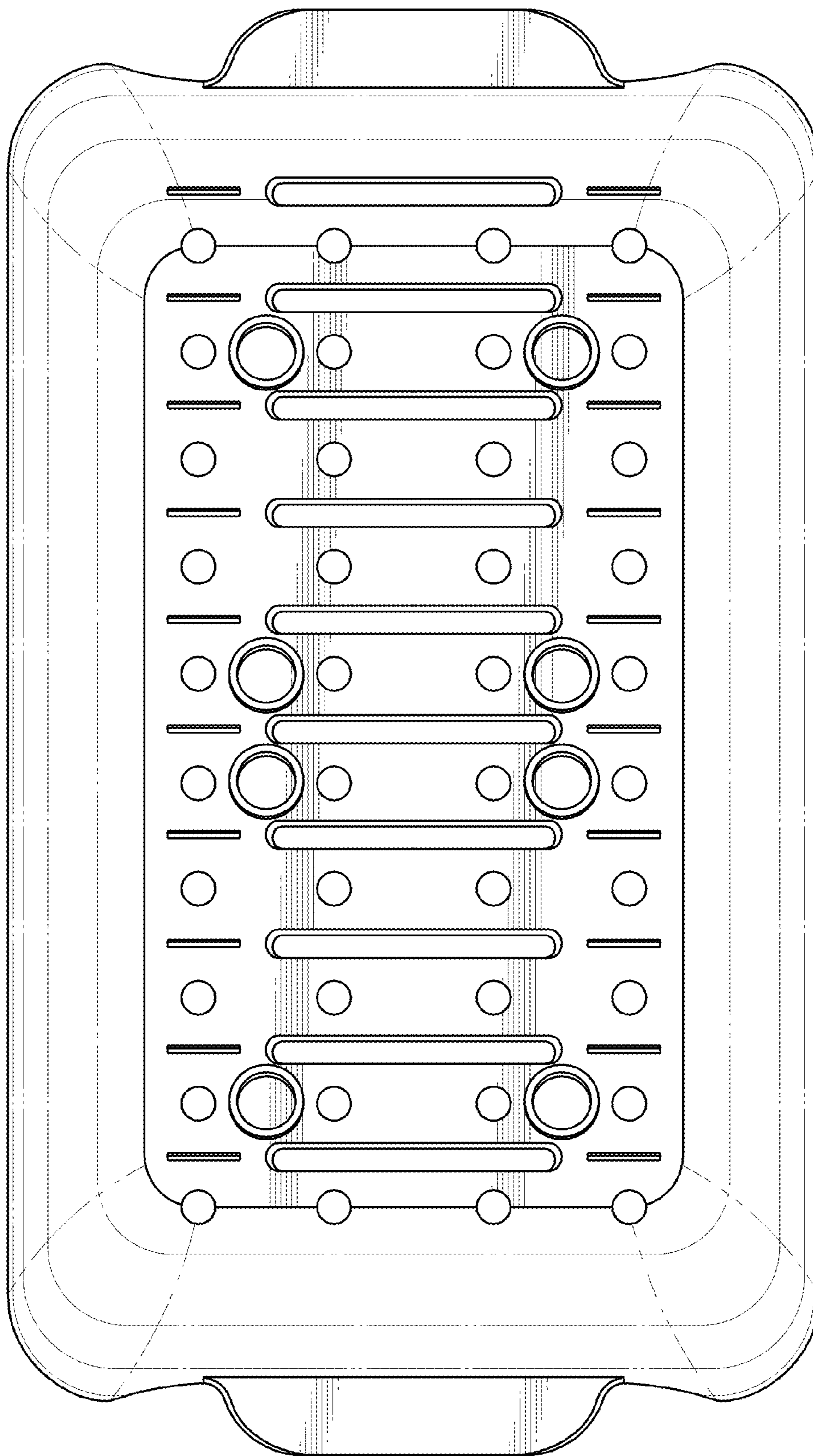


Fig. 7