



US00D699500S

(12) **United States Design Patent**
Chen et al.

(10) **Patent No.:** **US D699,500 S**
(45) **Date of Patent:** **** Feb. 18, 2014**

(54) **MANUALLY OPERATED ESPRESSO COFFEE MAKER**

(71) Applicants: **Vincent J. Chen**, Westminster, CA (US);
Curtis Wayne Morgan, Huntington Beach, CA (US)

(72) Inventors: **Vincent J. Chen**, Westminster, CA (US);
Curtis Wayne Morgan, Huntington Beach, CA (US)

(**) Term: **14 Years**

(21) Appl. No.: **29/452,963**

(22) Filed: **Apr. 23, 2013**

(51) **LOC (10) Cl.** **07-01**

(52) **U.S. Cl.**
USPC **D7/306**; D7/309; D7/305

(58) **Field of Classification Search**
USPC D7/306, 309-311, 300, 313, 301, 307,
D7/308, 305, 589, 397; 99/323.2, 284,
99/279, 302, 294, 290, 295; 222/146.6,
222/185.1, 683, 1; 62/3.63; D23/207

See application file for complete search history.

(56) **References Cited**

U.S. PATENT DOCUMENTS

D206,189 S *	11/1966	Freiste	D7/300
D317,237 S *	6/1991	Bolivar	D7/309
D335,607 S *	5/1993	Newman	D7/305
D350,872 S *	9/1994	Zeller	D7/310
D379,049 S *	5/1997	Amiel	D7/305
D399,089 S *	10/1998	Cortese	D7/309
D495,197 S *	8/2004	Lassota et al.	D7/373
D577,244 S *	9/2008	Cahen	D7/305
D666,050 S *	8/2012	Cionfoli	D7/309
D667,252 S *	9/2012	Rousselin	D7/309
D682,599 S *	5/2013	Bolzicco et al.	D7/309

* cited by examiner

Primary Examiner — Marianne Pandozzi

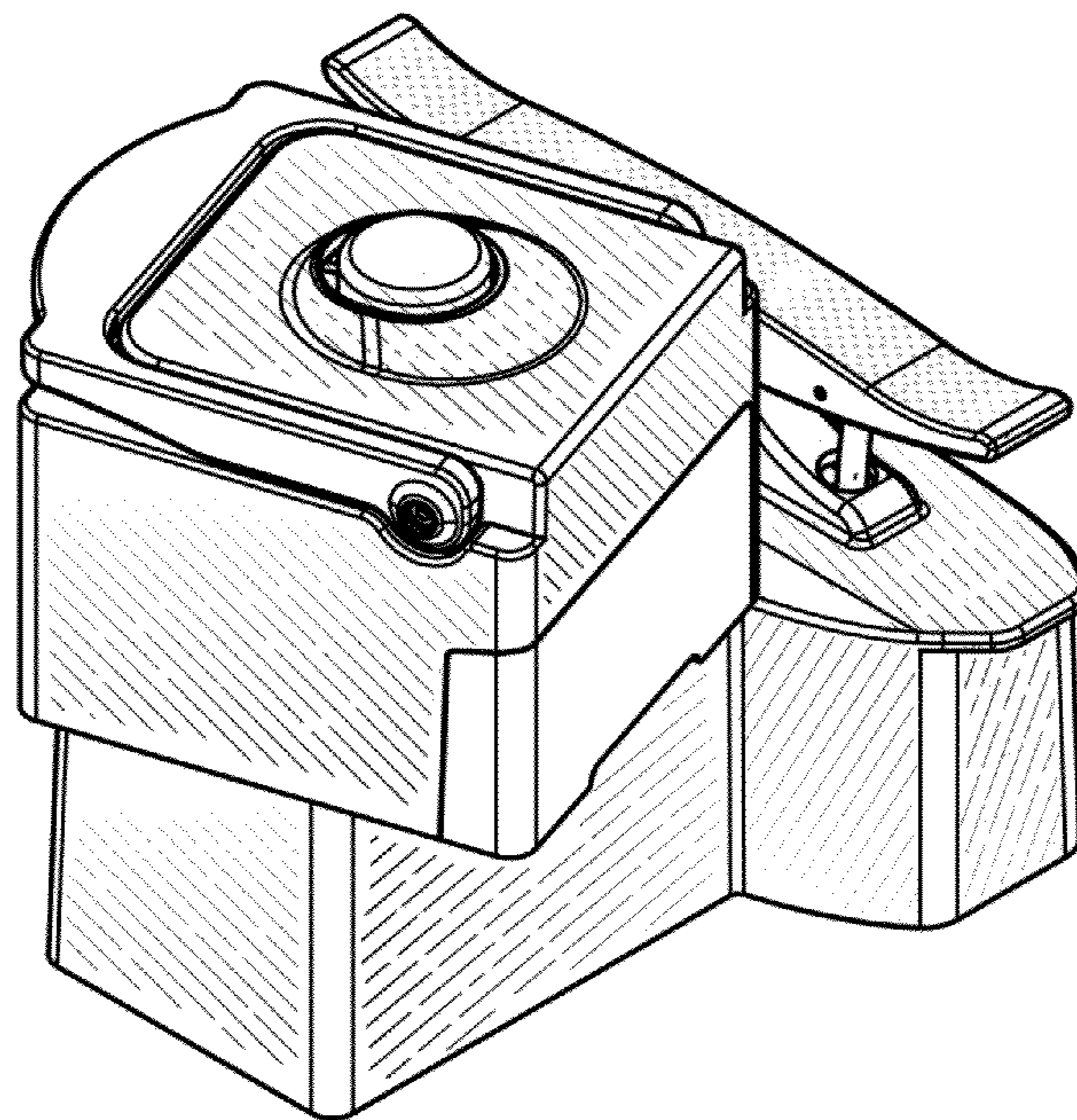
(57) **CLAIM**

The ornamental design for a manually operated espresso coffee maker, as shown and described.

DESCRIPTION

FIG. 1 is a front perspective view showing the new design.
FIG. 2 is a top plan view thereof.
FIG. 3 is a bottom plan view thereof.
FIG. 4 is a right side elevational view thereof.
FIG. 5 is a left side elevational view thereof.
FIG. 6 is a rear elevational view thereof.
FIG. 7 is a front elevational view thereof; and,
FIG. 8 is a front perspective view thereof showing the removable coffee drawer in partially open position.

1 Claim, 8 Drawing Sheets



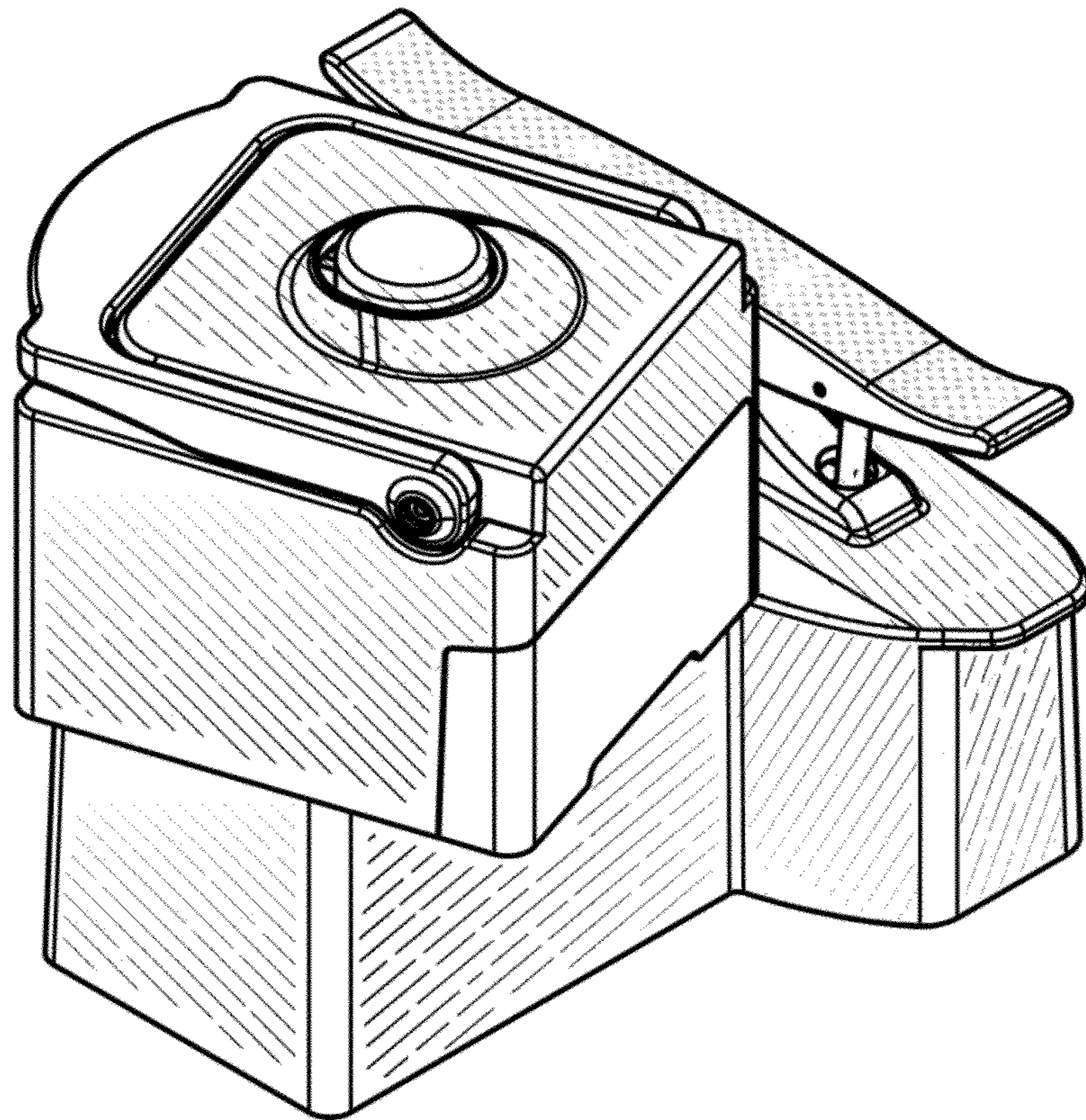


Fig. 1

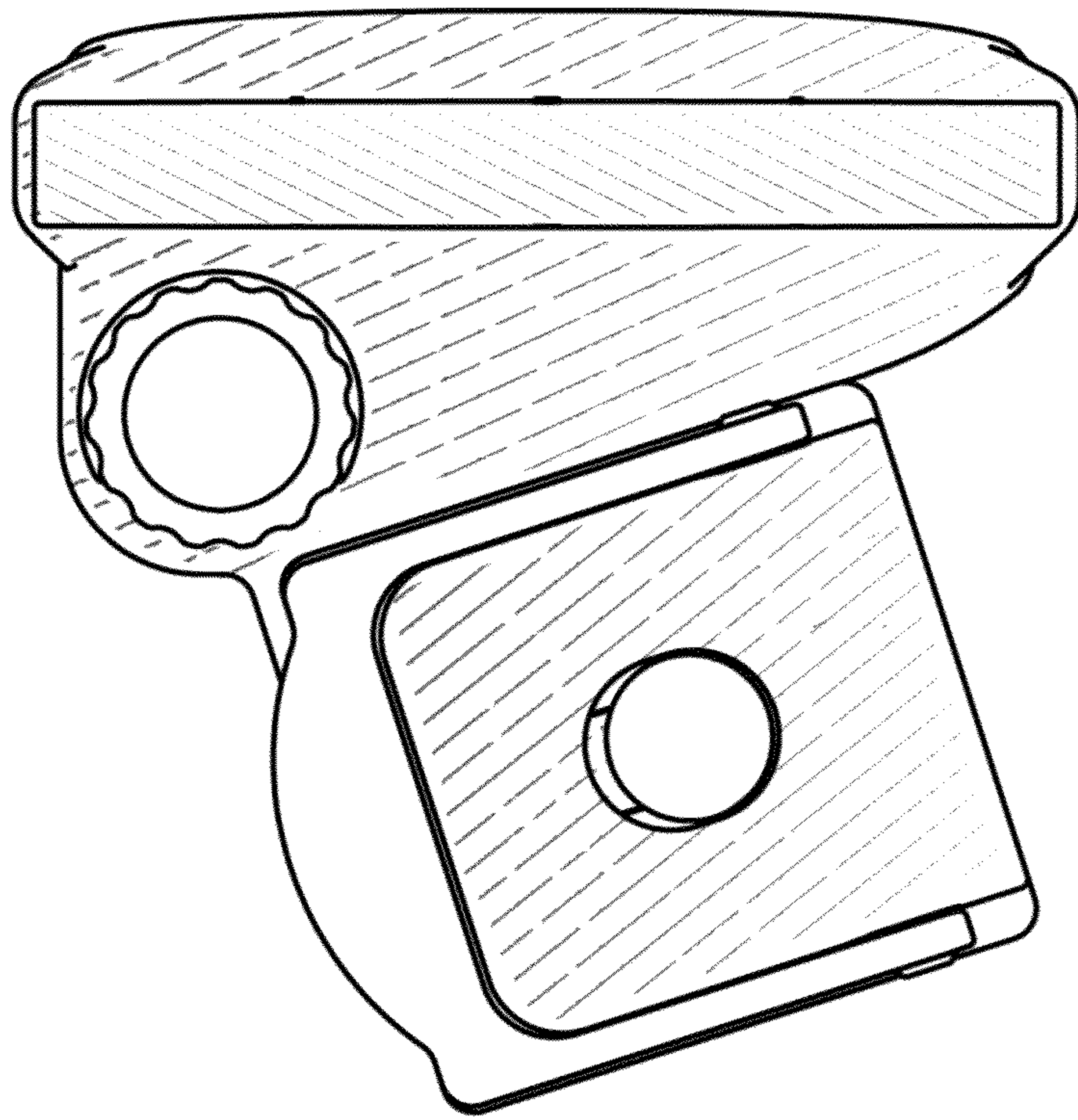


Fig. 2

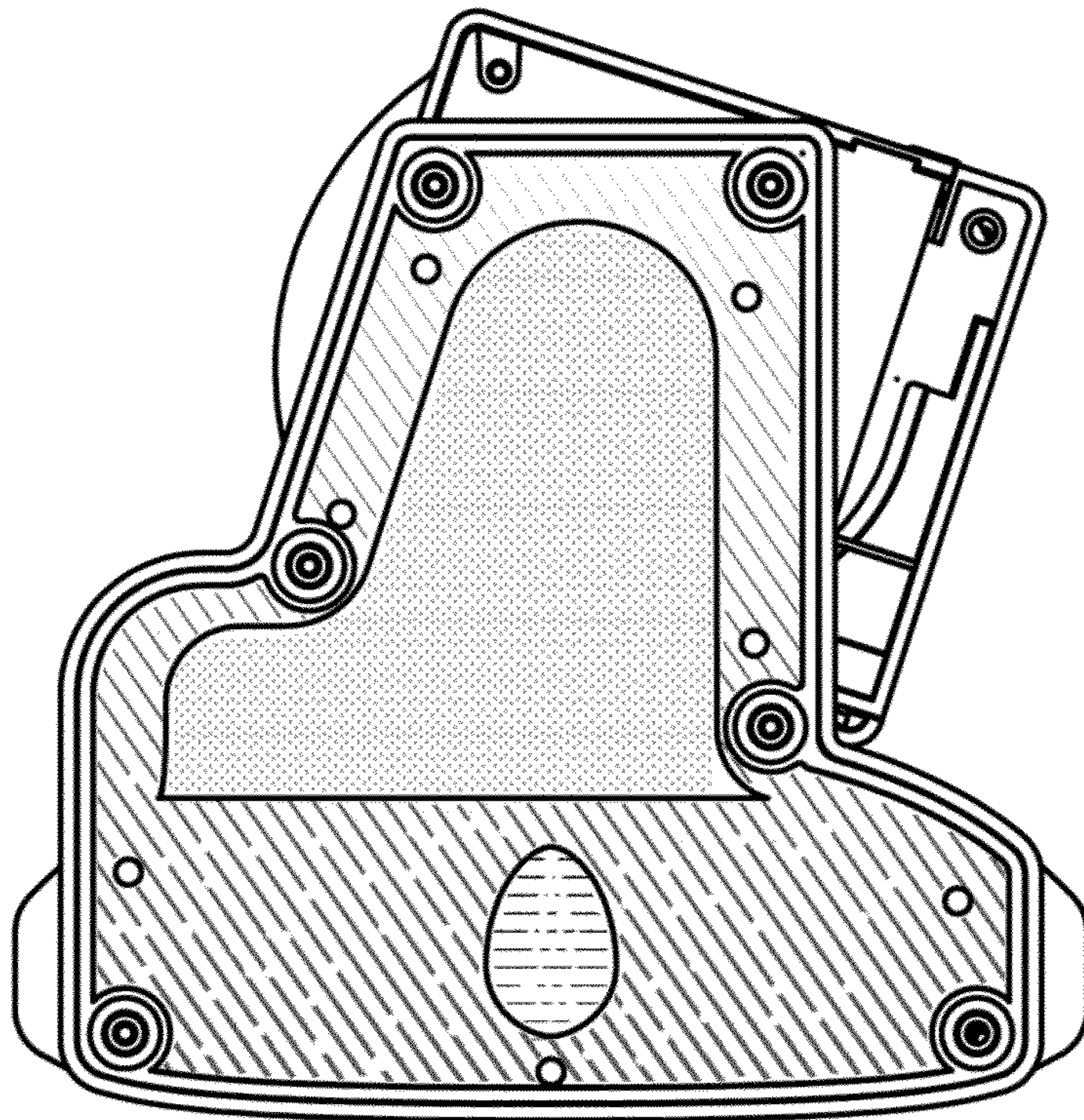


Fig . 3

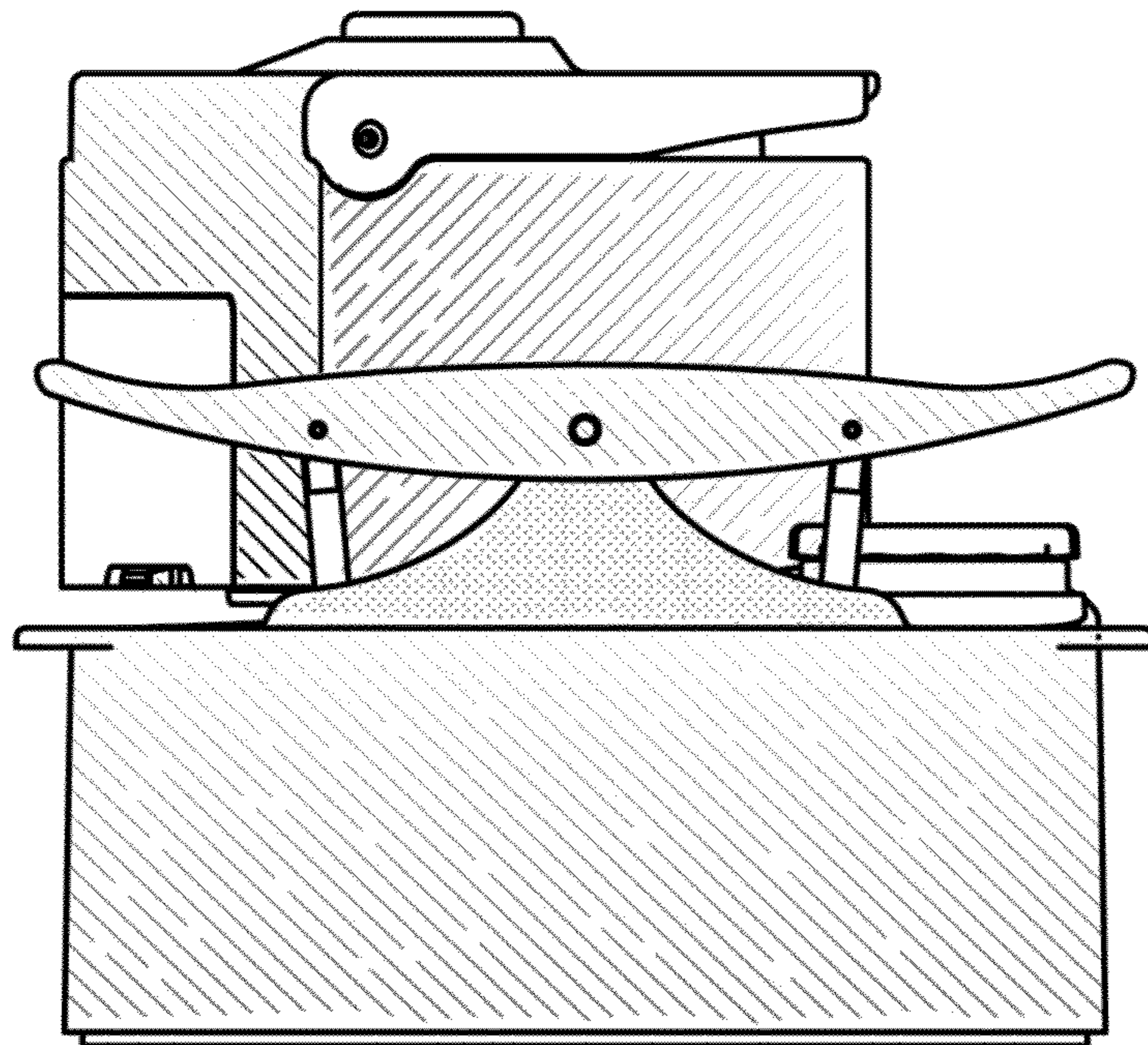


Fig. 4

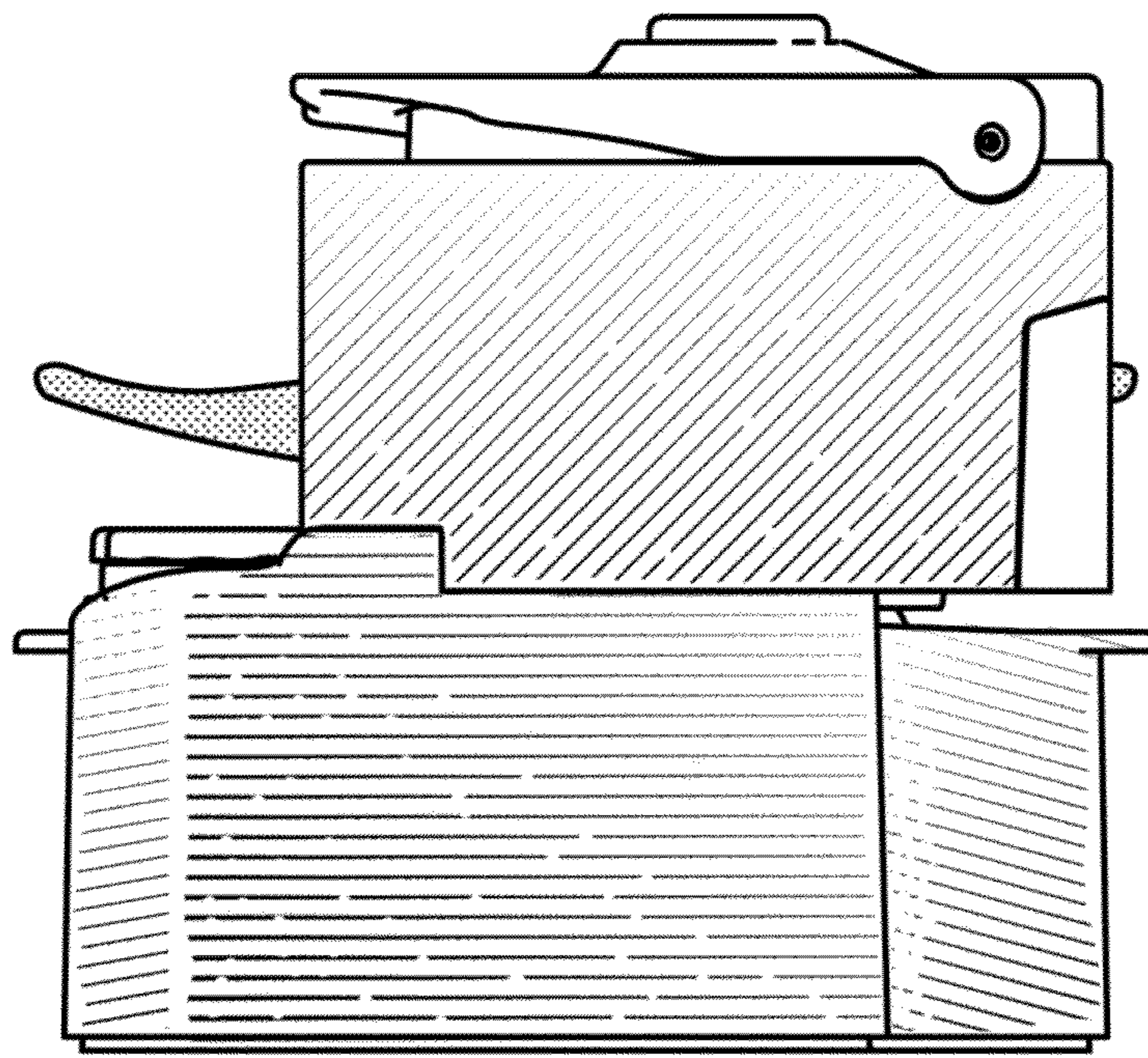


Fig. 5

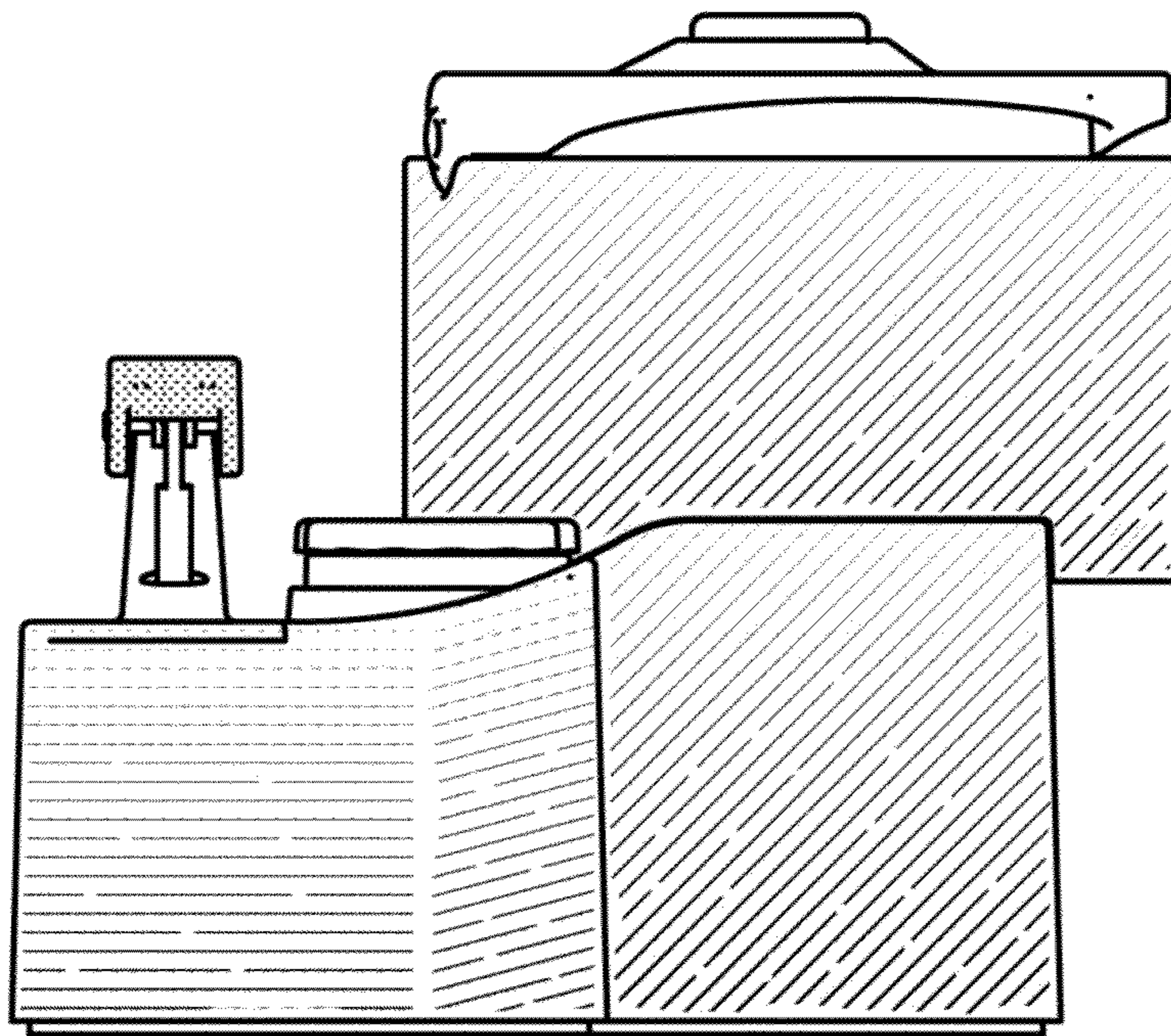


Fig. 6

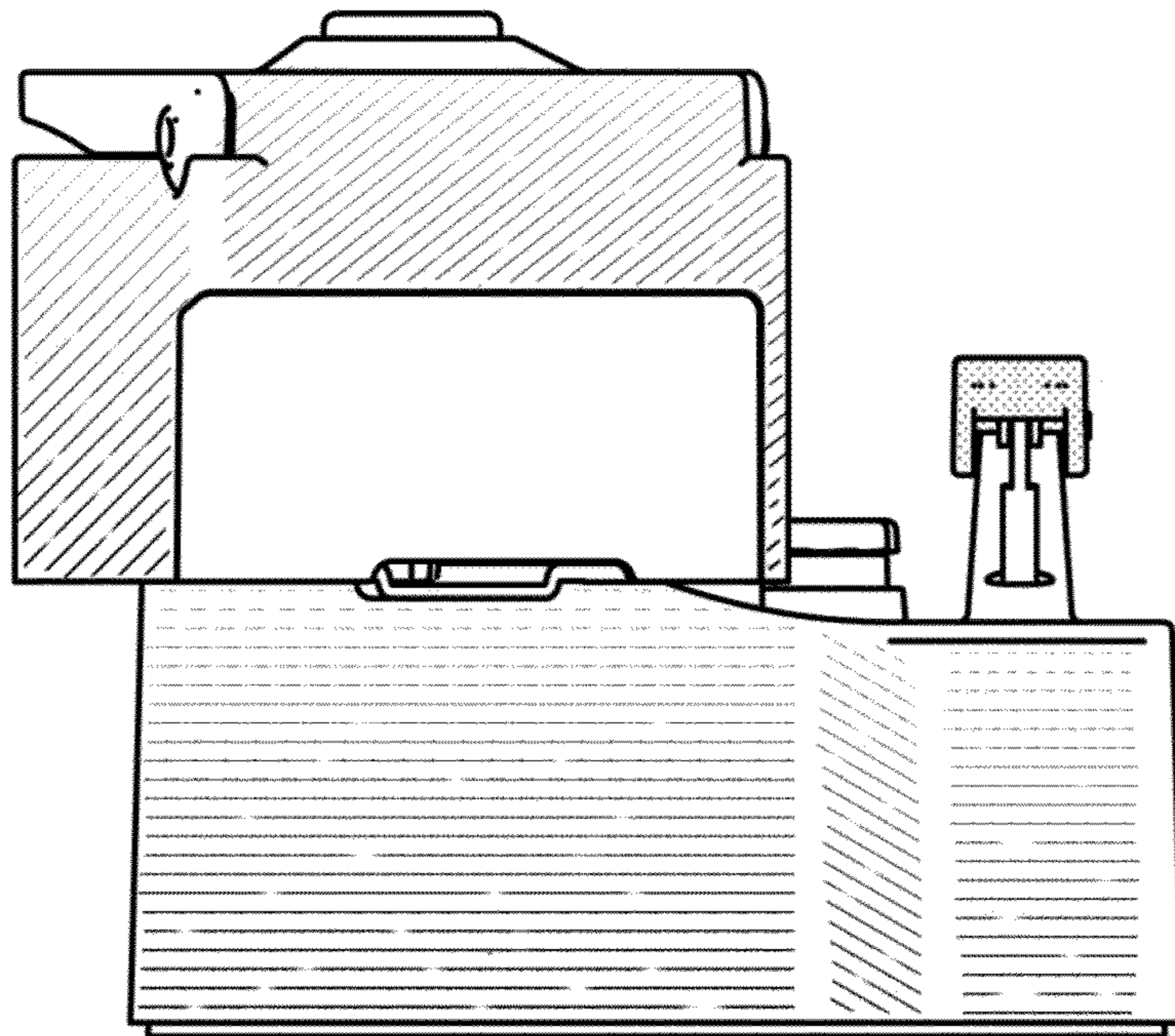


Fig. 7

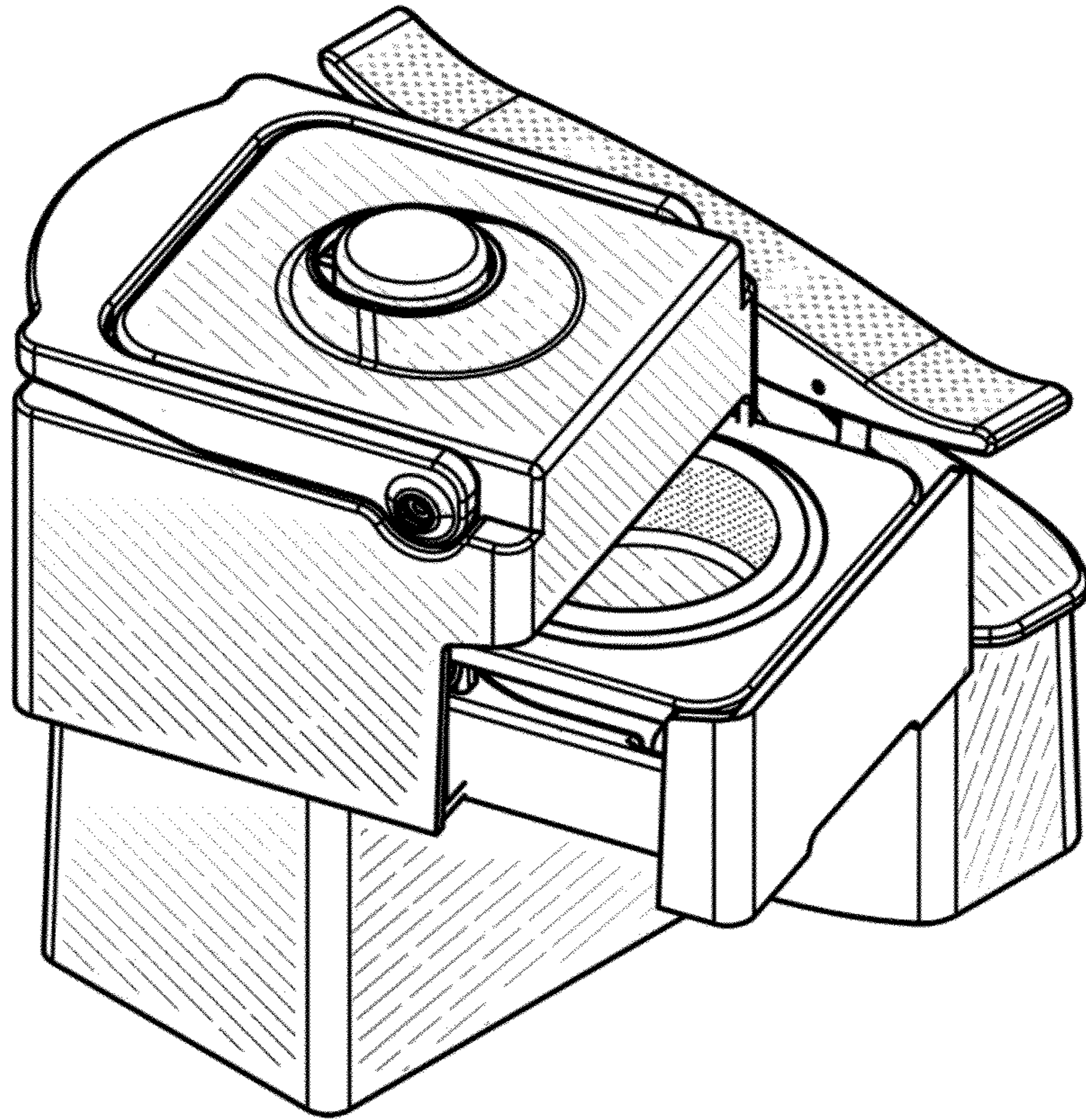


Fig. 8