



US00D699499S

(12) **United States Design Patent**
Lilley et al.

(10) **Patent No.:** **US D699,499 S**

(45) **Date of Patent:** **** Feb. 18, 2014**

- (54) **HOT WATER DISPENSER**
- (71) Applicant: **Access Business Group International LLC**, Ada, MI (US)
- (72) Inventors: **Matthew J. Lilley**, Walker, MI (US); **Michael E. Miles**, Grand Rapids, MI (US); **Terry L. Lautzenheiser**, Nunica, MI (US); **Jeffrey A. Shumate**, Rockford, MI (US); **Ryan Millhouse**, Byron Center, MI (US)
- (73) Assignee: **Access Business Group International LLC**, Ada, MI (US)
- (**) Term: **14 Years**
- (21) Appl. No.: **29/432,855**
- (22) Filed: **Sep. 21, 2012**
- (51) **LOC (10) Cl.** **07-01**
- (52) **U.S. Cl.**
USPC **D7/306; D7/307; D7/308**
- (58) **Field of Classification Search**
USPC D7/306, 309-311, 300, 313, 301, 307, D7/308, 305, 589, 397; 99/323.2, 284, 99/279, 302, 294, 290, 295; 222/146.6, 222/185.1, 683, 1; 62/3.63; D23/207
See application file for complete search history.

- D481,253 S 10/2003 Luzzato
- D514,371 S 2/2006 Yang et al.
- D528,845 S * 9/2006 Zimmermann D7/309
- D533,007 S 12/2006 Felty
- D535,513 S * 1/2007 Zimmermann D7/309
- D544,299 S 6/2007 Schaffeld et al.
- D568,665 S * 5/2008 Tonelli D7/309

(Continued)

FOREIGN PATENT DOCUMENTS

- CH 1000379.4M0003 3/2010
- CN 3041862 3/1996

(Continued)

Primary Examiner — Marianne Pandozzi

(74) *Attorney, Agent, or Firm* — Warner Norcross & Judd LLP

(57) **CLAIM**

The ornamental design for a hot water dispenser, as shown and described.

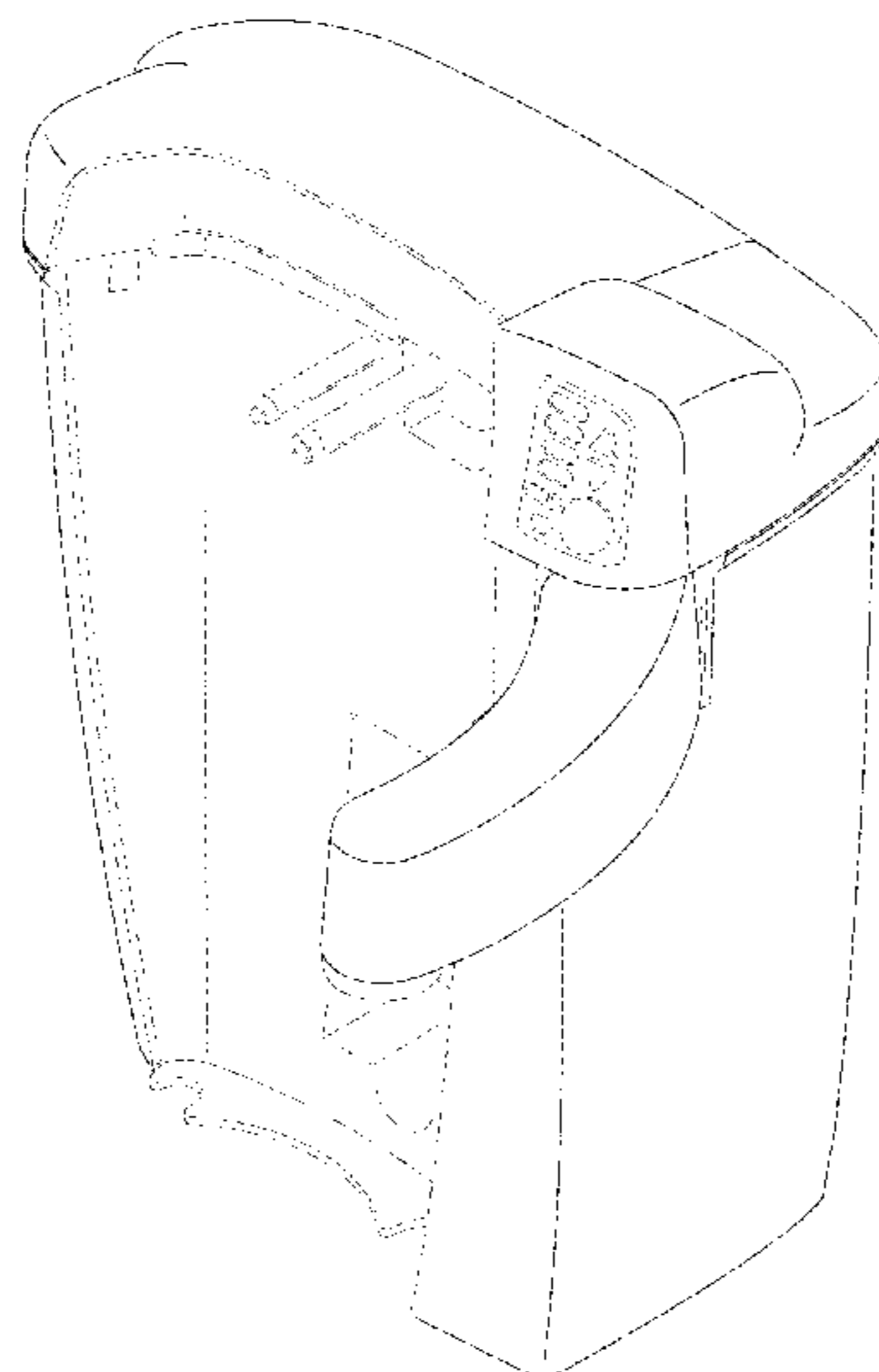
DESCRIPTION

FIG. 1 is a top, right, front perspective view of a hot water dispenser;
 FIG. 2 is a top, left, front perspective view thereof;
 FIG. 3 is a bottom, left, front perspective view thereof;
 FIG. 4 is a left side view thereof;
 FIG. 5 is a front view thereof;
 FIG. 6 is a right side view thereof;
 FIG. 7 is a rear view thereof;
 FIG. 8 is a top plan view thereof; and,
 FIG. 9 is a bottom plan view thereof.
 FIGS. 1-9 show portions of the hot water dispenser in broken lines. The broken line portions are shown for environmental purposes and form no part of the claimed design. The broken line segments immediately adjacent the solid line portions of the design define the boundary of the design, but do not themselves form part of the claimed design.

1 Claim, 9 Drawing Sheets

(56) **References Cited**
U.S. PATENT DOCUMENTS

- D355,562 S * 2/1995 DeFelip D7/309
- D386,038 S * 11/1997 Delaey D7/309
- D417,358 S * 12/1999 Dutruel D7/309
- D420,863 S 2/2000 Egana et al.
- D424,361 S * 5/2000 Kuboyama D7/309
- D430,263 S 8/2000 Crescenzi et al.
- D444,986 S * 7/2001 Smith et al. D7/311
- D452,407 S 12/2001 Leverrier
- D464,236 S 10/2002 Li



(56)

References Cited

U.S. PATENT DOCUMENTS

D574,174 S * 8/2008 Tonelli D7/309
 D577,244 S * 9/2008 Cahen
 D600,490 S * 9/2009 Pino et al. D7/306
 D601,380 S 10/2009 Jones et al.
 D608,132 S * 1/2010 Bertolina D7/309
 D610,388 S 2/2010 Hazan et al.
 D612,657 S 3/2010 Luippold et al.
 D647,593 S 10/2011 Choi
 D672,188 S * 12/2012 Luippold et al. D7/306
 D678,718 S * 3/2013 Grassia D7/399

FOREIGN PATENT DOCUMENTS

CN 3147949 5/2000
 CN 3225267 2/2002
 CN 3314224 8/2003
 CN 3391167 9/2004
 CN 3469281 8/2005
 CN 3523561 4/2006
 CN 3543818 7/2006
 CN 3559393 9/2006
 CN 3578217 11/2006
 CN 3629132 4/2007

CN 3641379 5/2007
 CN 3646861 5/2007
 CN 3678425 8/2007
 CN 300850461 11/2008
 CN 300859218 12/2008
 CN 300943677 6/2009
 CN 300957098 7/2009
 CN 301348598 S 9/2009
 CN 301045075 10/2009
 CN 301062910 11/2009
 CN 301145663 2/2010
 CN 301240454 S 5/2010
 CN 301291807 S 7/2010
 CN 301322720 S 8/2010
 CN 301331681 S 8/2010
 CN 301362336 S 10/2010
 CN 301386968 S 11/2010
 CN 301447247 S 1/2011
 CN 301484800 S 3/2011
 CN 301590631 S 6/2011
 CN 301619071 S 7/2011
 CN 301729042 S 11/2011
 GB 9700094.3 1/1998
 GB 9700274.5 1/1998
 GB 9700031.1 3/1998
 JP 101709.7 9/2010

* cited by examiner

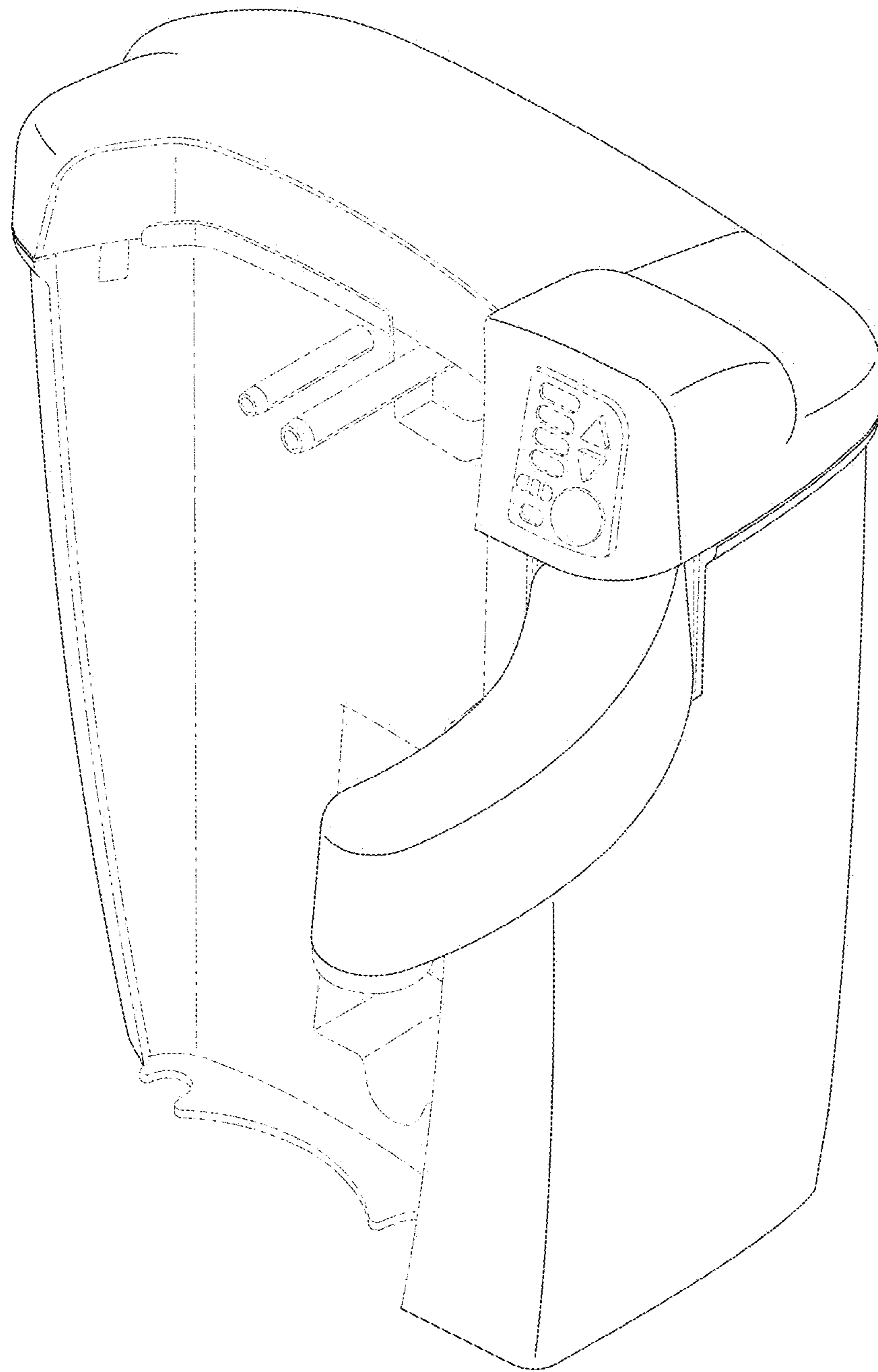


Fig. 1

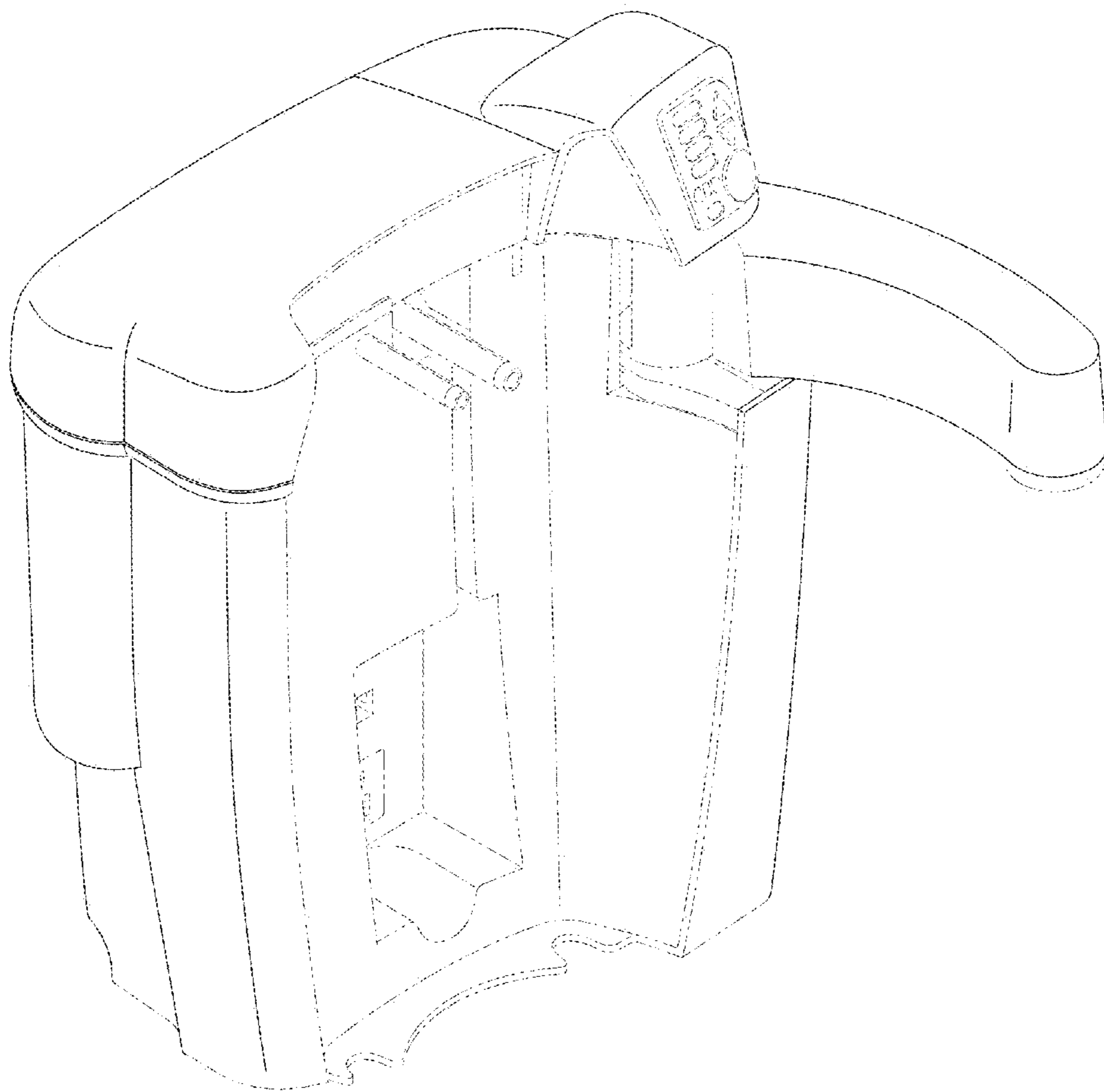


Fig. 2

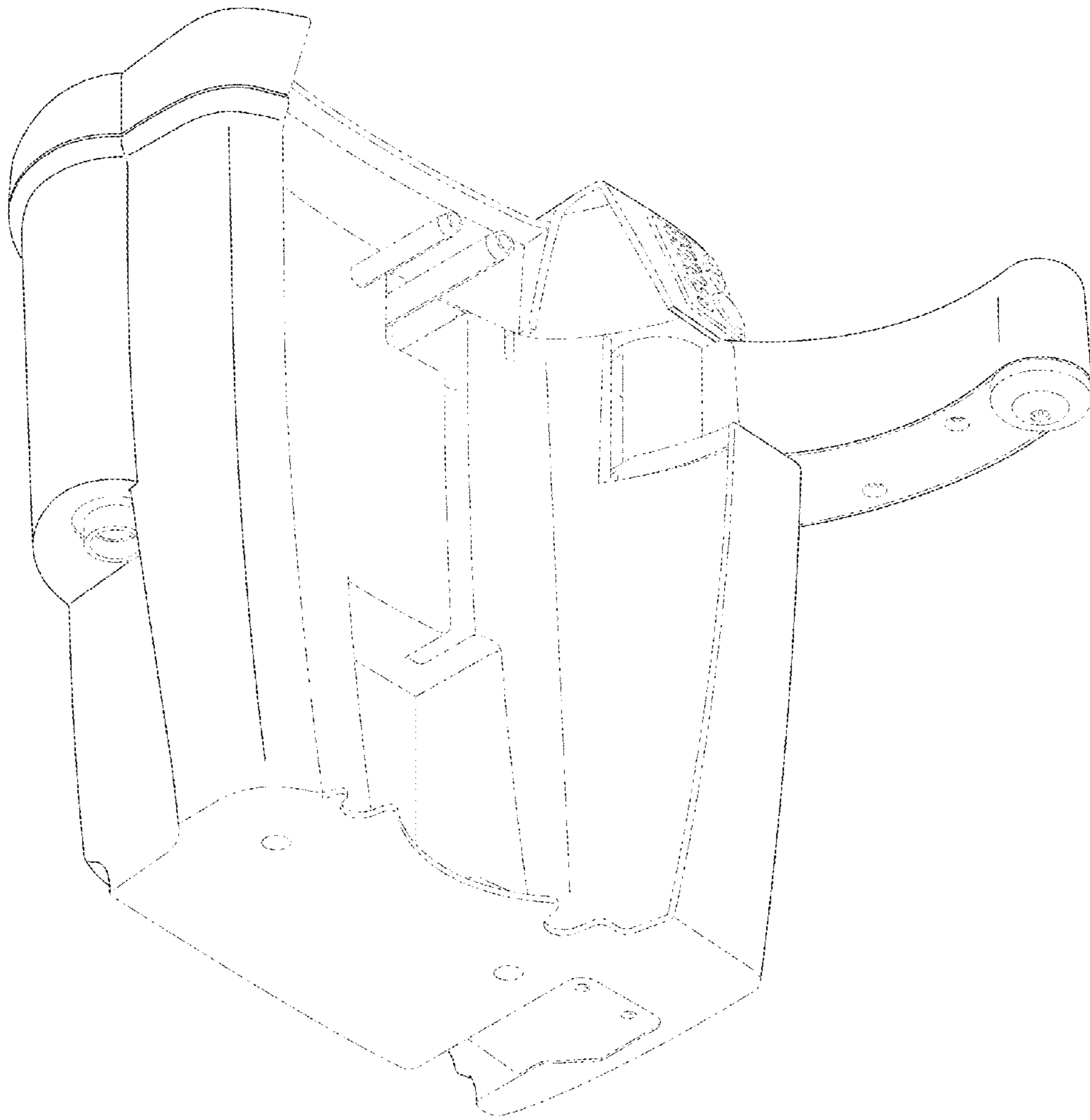


Fig. 3

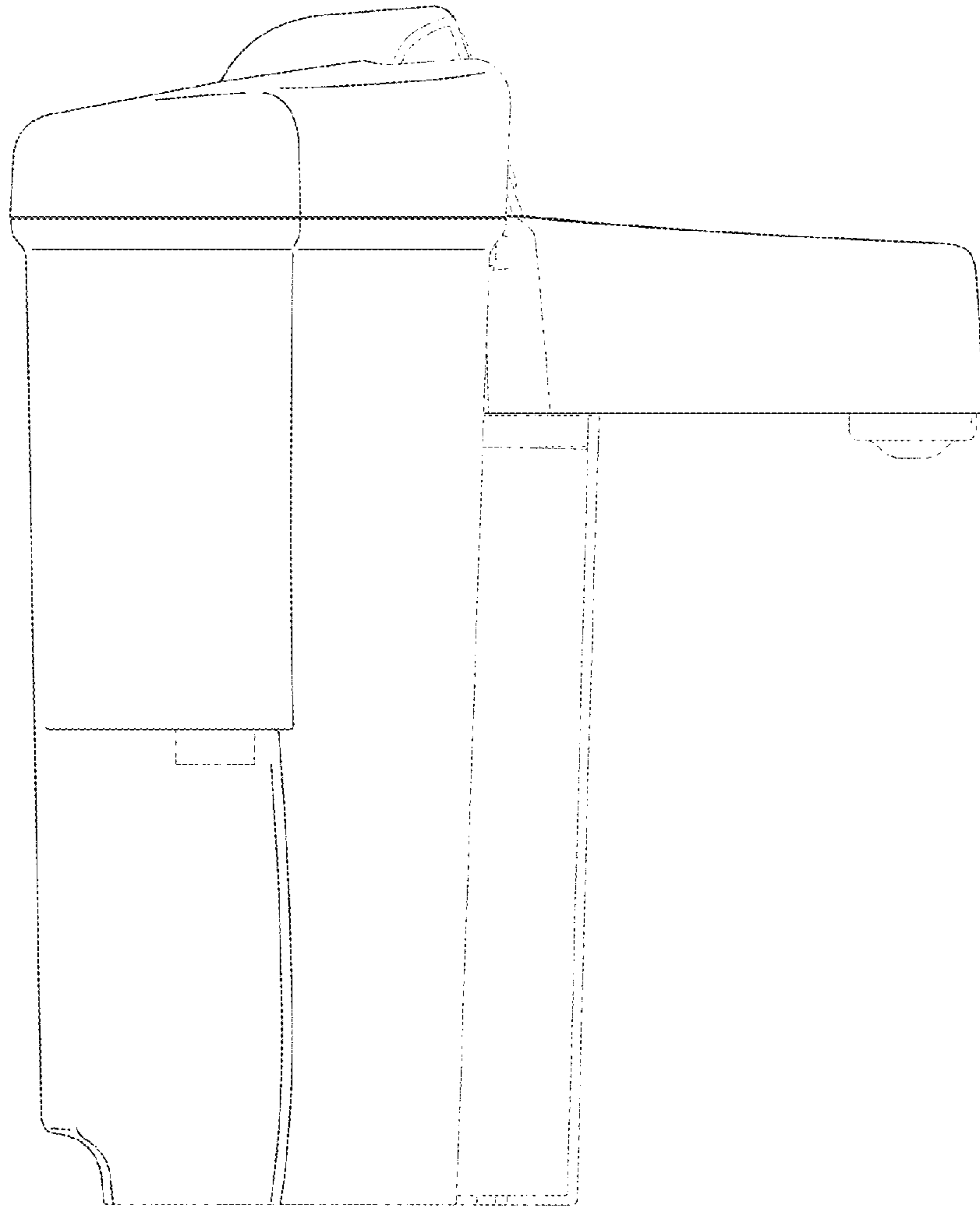


Fig. 4

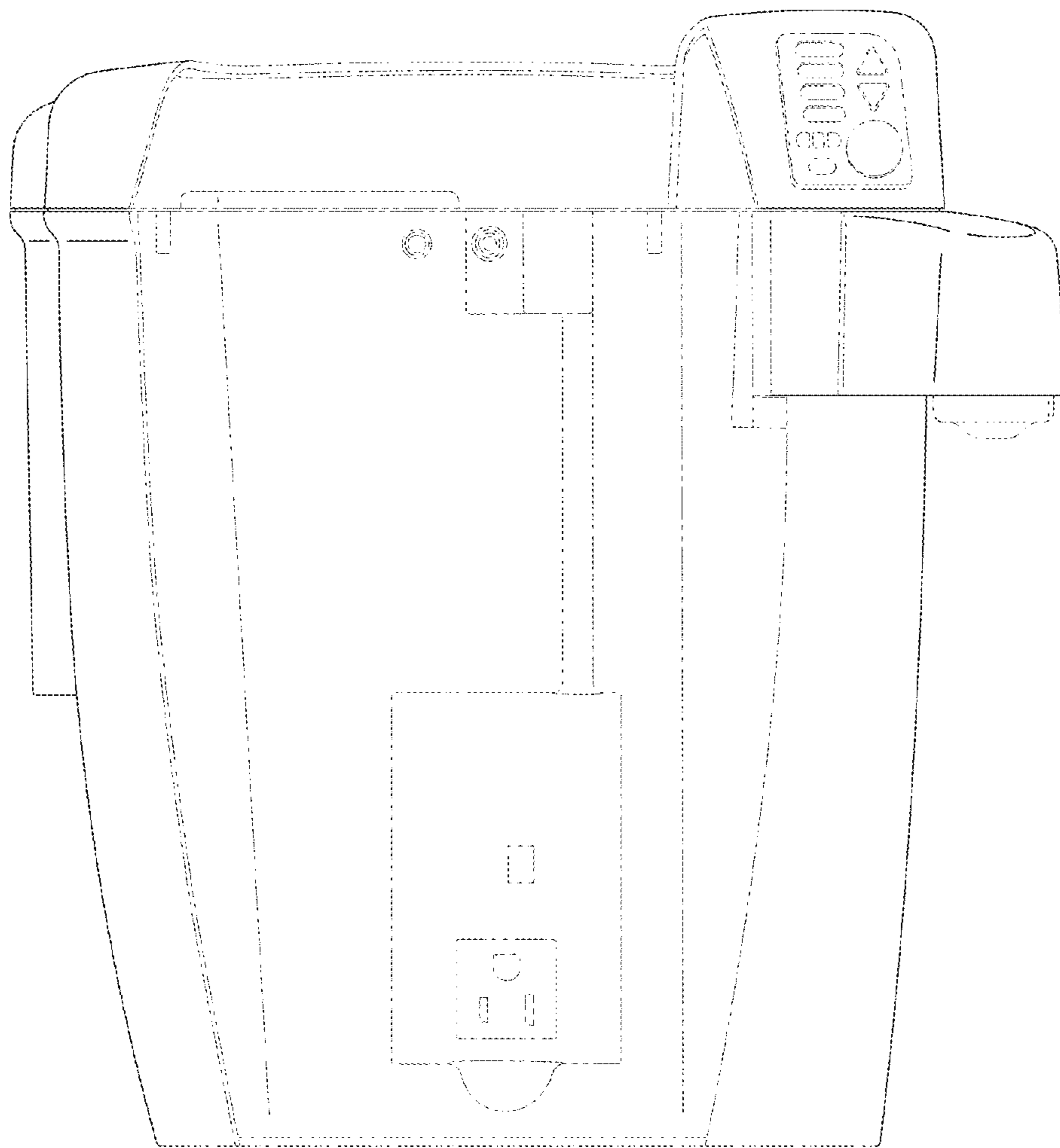


Fig. 5

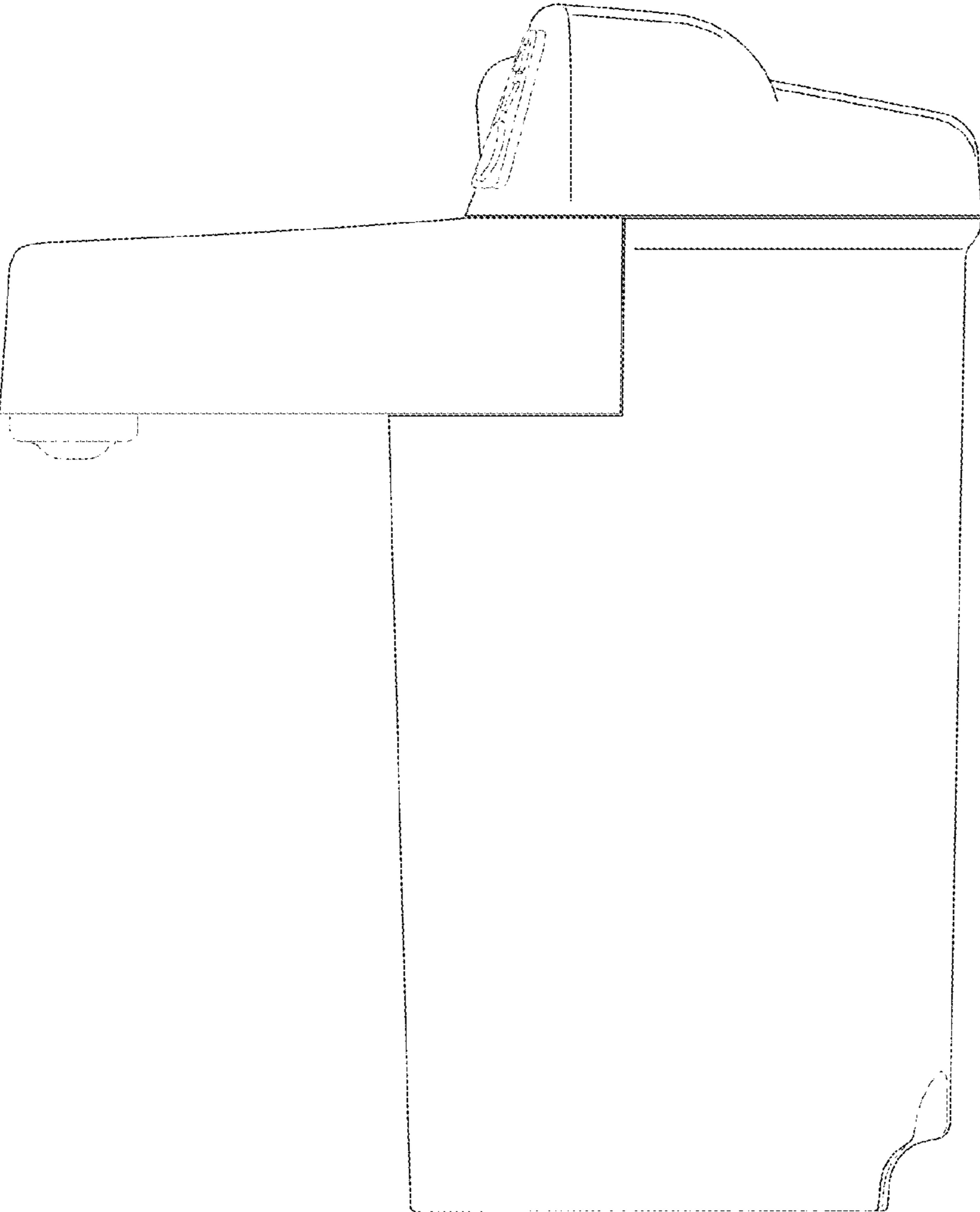


Fig. 6

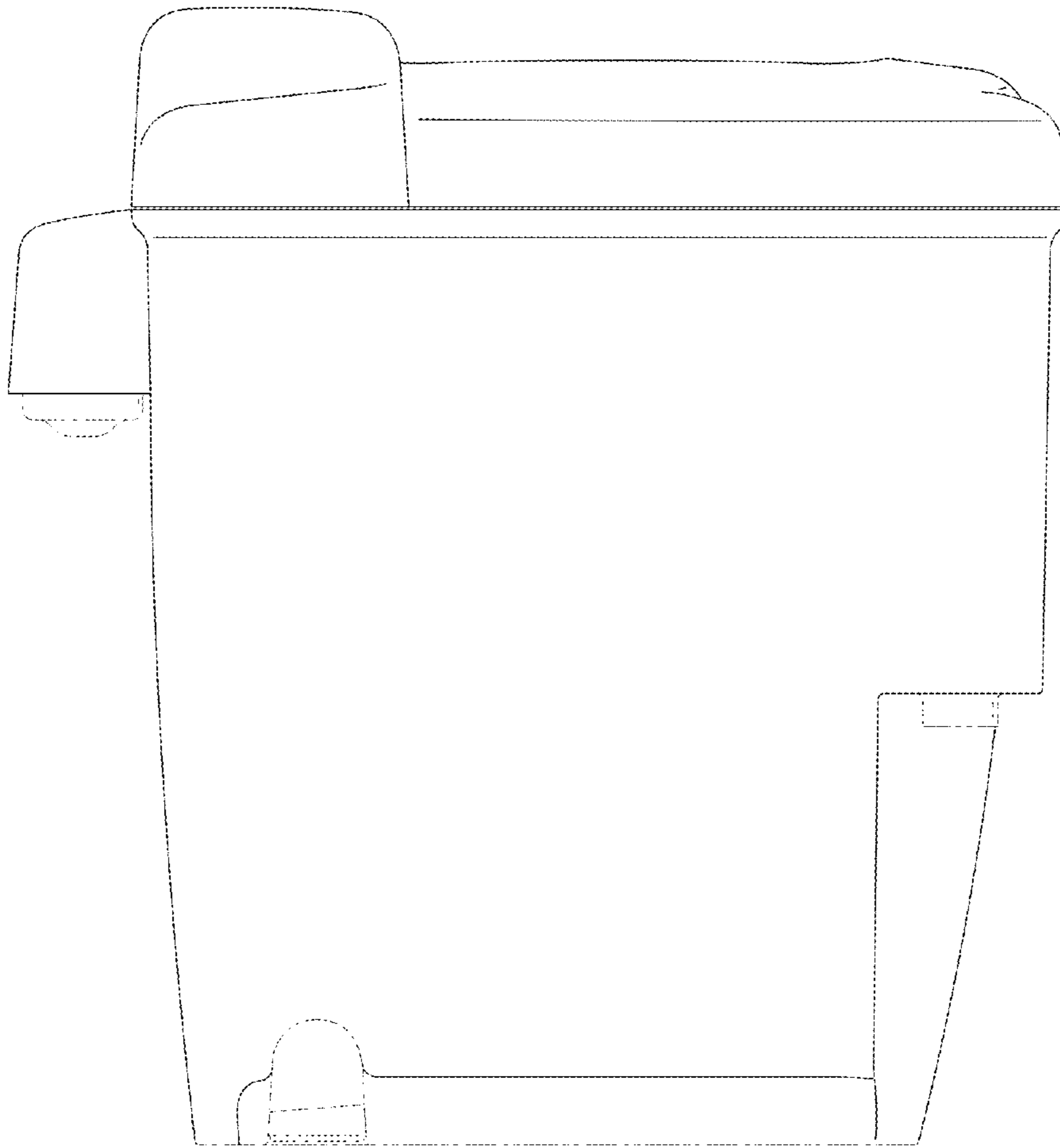


Fig. 7

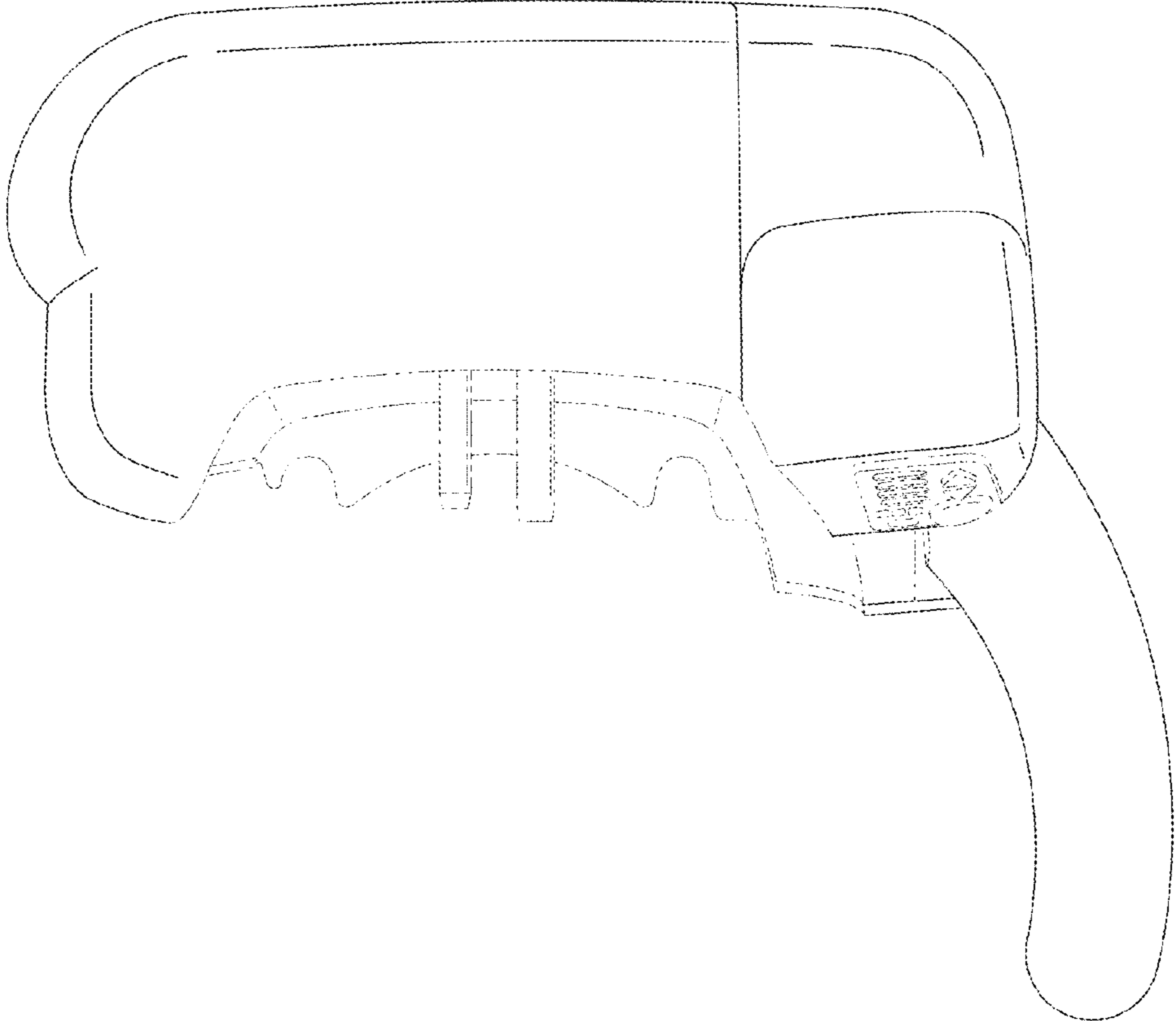


Fig. 8

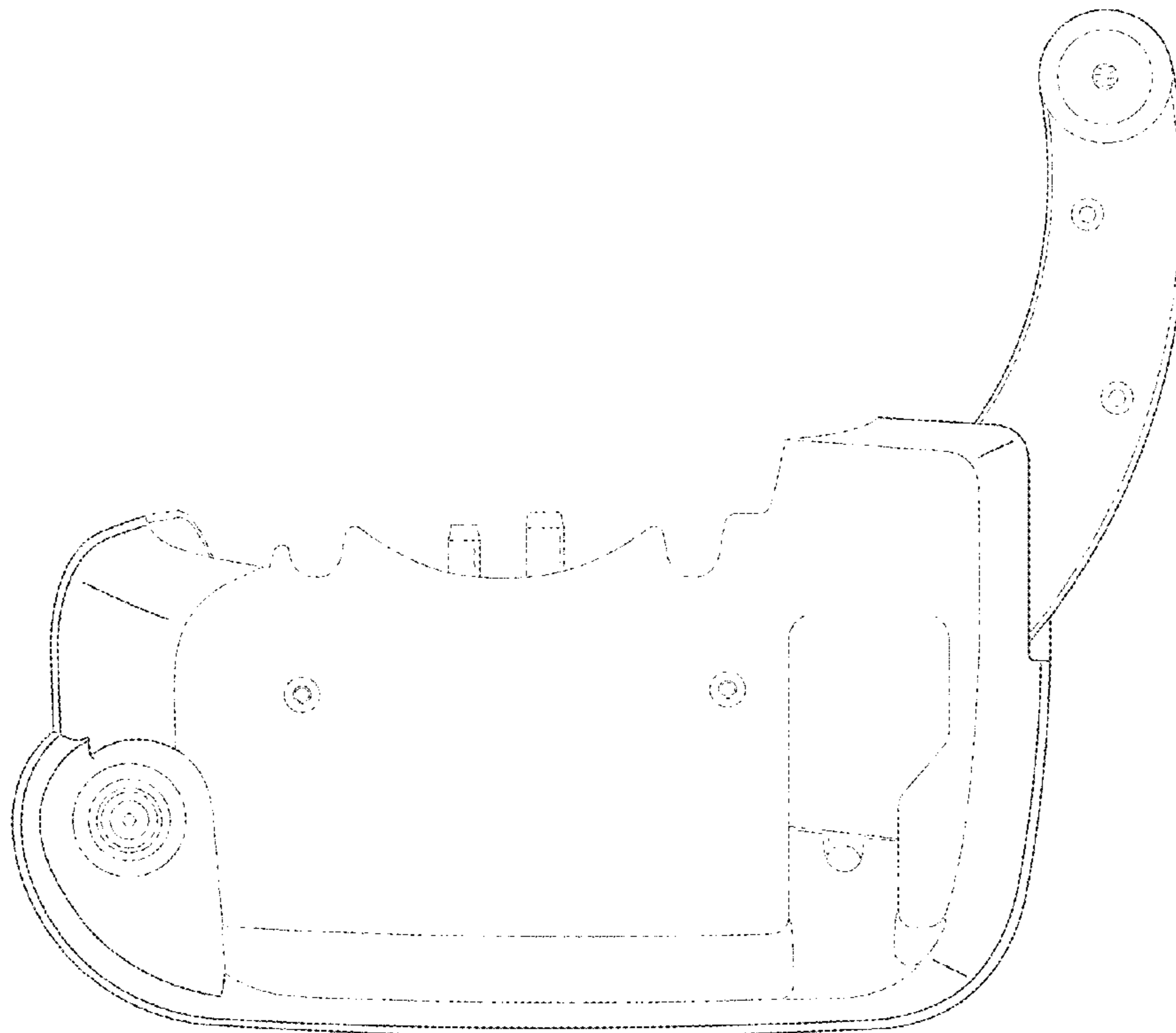


Fig. 9