



US00D699498S

(12) **United States Design Patent**
Vultaggio et al.

(10) **Patent No.:** **US D699,498 S**

(45) **Date of Patent:** **** Feb. 18, 2014**

(54) **URN FOR DISPENSING BEVERAGES**

(71) Applicants: **Schroeder Industries, Inc.**, San Antonio, TX (US); **Jim Stellmach**, Woodbury, NY (US); **Don Vultaggio**, Woodbury, NY (US)

(72) Inventors: **Don Vultaggio**, Woodbury, NY (US); **Jim Stellmach**, Woodbury, NY (US); **David Santy**, Converse, TX (US); **Deborah Absalon**, Converse, TX (US); **Jason Minica**, Schertz, TX (US)

(73) Assignees: **Schroeder Industries, Inc.**, San Antonio, TX (US); **Arizona Beverages USA LLC**, Woodbury, NY (US)

(**) Term: **14 Years**

(21) Appl. No.: **29/452,175**

(22) Filed: **Apr. 12, 2013**

(51) **LOC (10) Cl.** **07-01**

(52) **U.S. Cl.**
USPC **D7/301; D7/313; D7/307; D7/308**

(58) **Field of Classification Search**
USPC **D7/300, 306-308, 311, 313, 301, 397, D7/398; D15/81; 99/275, 323.3; 222/129.1, 144.5**

See application file for complete search history.

(56) **References Cited**

U.S. PATENT DOCUMENTS

D271,877 S * 12/1983 Hoff D15/81
D280,880 S 10/1985 Schweres

4,674,296 A *	6/1987	Renaud	62/389
4,699,282 A *	10/1987	Farrar	206/459.5
D313,026 S *	12/1990	Evans	D15/83
D338,137 S *	8/1993	Ochs	D7/606
5,305,924 A *	4/1994	Groover et al.	222/129.1
D372,831 S *	8/1996	Credle, Jr.	D7/301
D377,289 S *	1/1997	Credle, Jr.	D7/301
D380,641 S *	7/1997	Randle	D7/313
D401,474 S *	11/1998	Leatherman et al.	D7/397
D518,677 S *	4/2006	Van Berlo	D7/306
D519,788 S *	5/2006	Ringuet	D7/606
D573,392 S	7/2008	Smith		
D599,157 S	9/2009	Stein		
D612,203 S	3/2010	Bollin		
D622,534 S *	8/2010	Zimmermann	D7/307
D655,592 S *	3/2012	Baumann	D8/70
D676,700 S *	2/2013	Chung et al.	D7/307

* cited by examiner

Primary Examiner — Marianne Pandozzi

(74) *Attorney, Agent, or Firm* — Jackson Walker, LLP

(57) **CLAIM**

The ornamental design for urn for dispensing beverages, as shown and described.

DESCRIPTION

FIG. 1 is a perspective view of Applicants' urn for dispensing beverages showing our new design;

FIG. 2 is an enlarged front elevational view thereof;

FIG. 3 is an enlarged rear elevational view thereof;

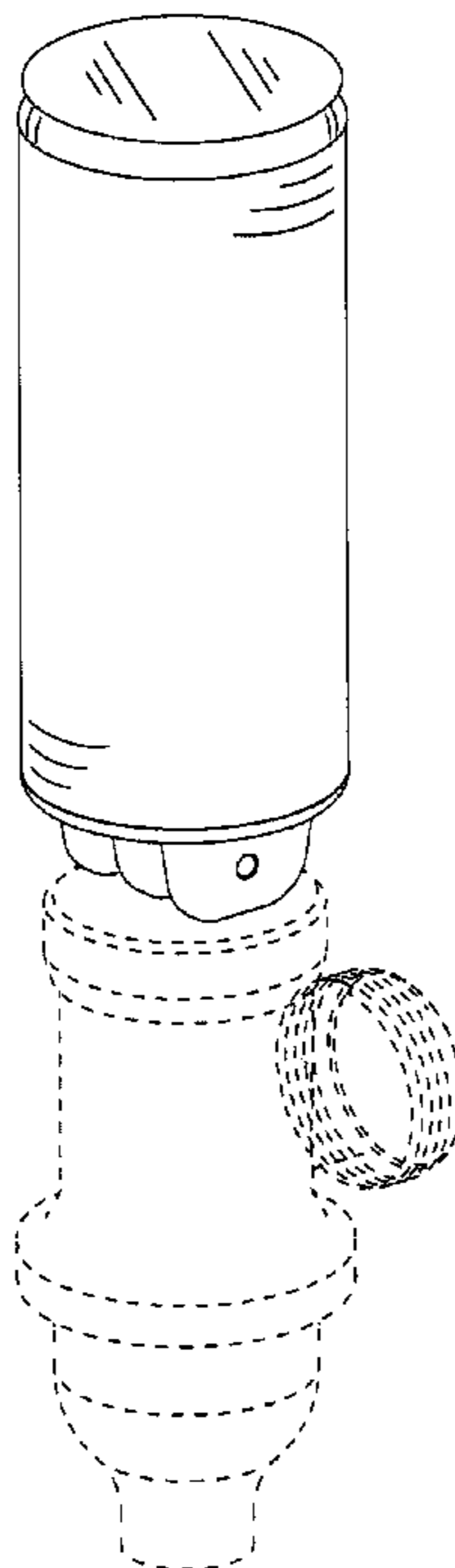
FIG. 4 is an enlarged left side view thereof;

FIG. 5 is an enlarged right side view thereof;

FIG. 6 is an enlarged bottom plan view thereof; and,

FIG. 7 is an enlarged top plan view thereof.

1 Claim, 7 Drawing Sheets



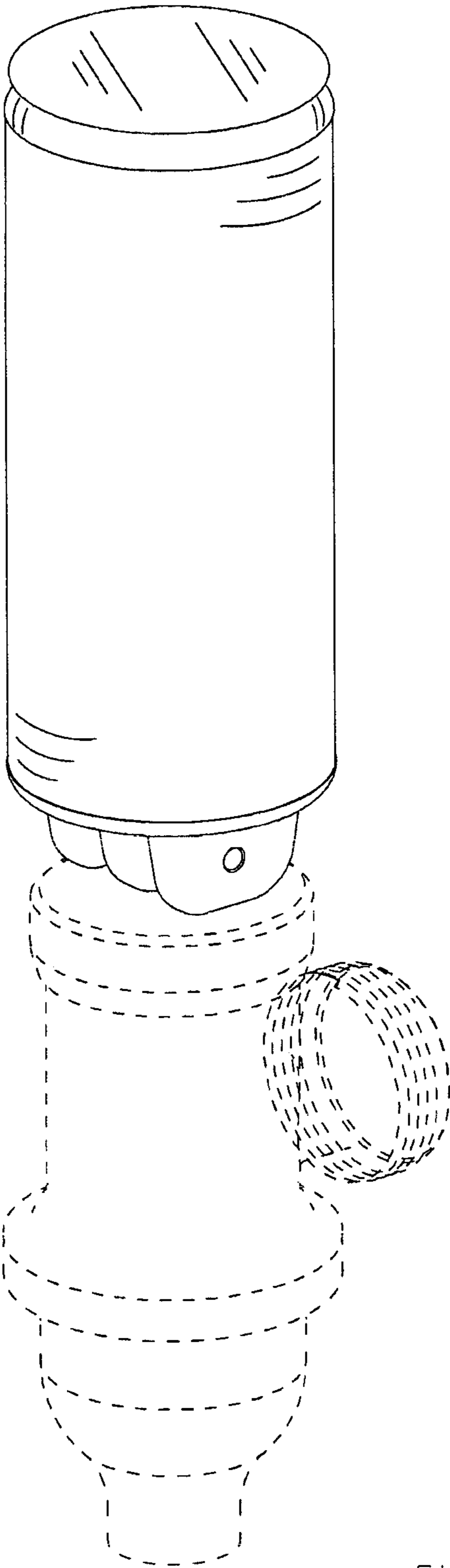


Fig. 1

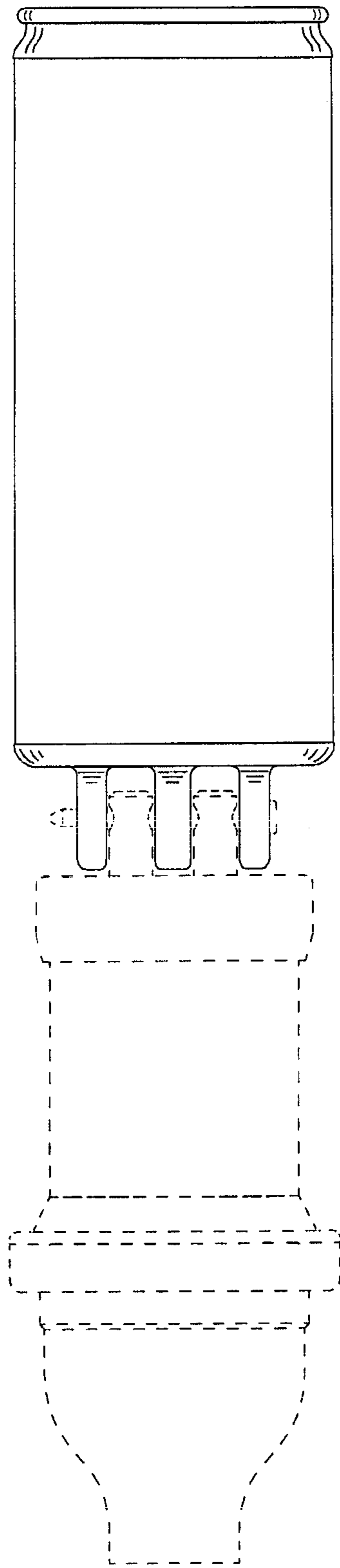


Fig. 2

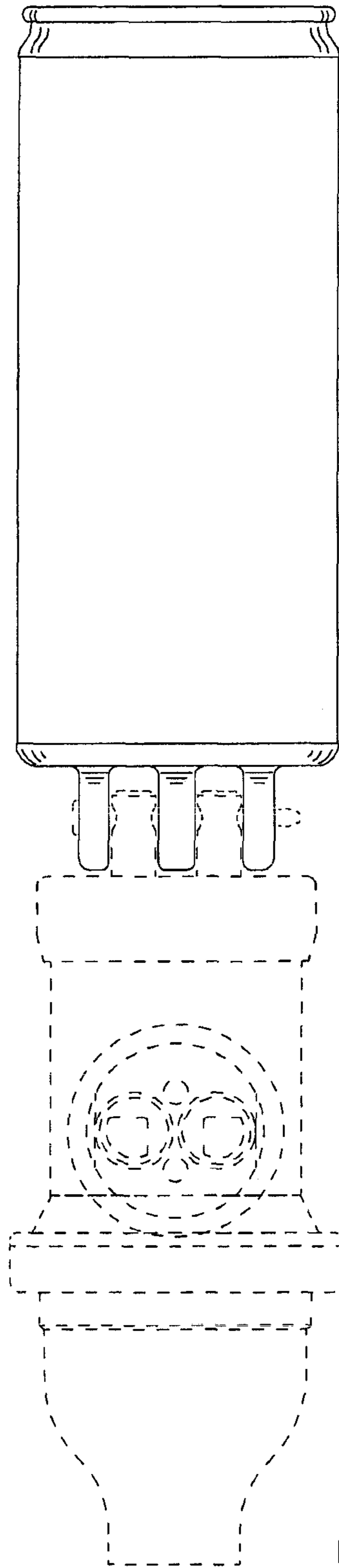


Fig. 3

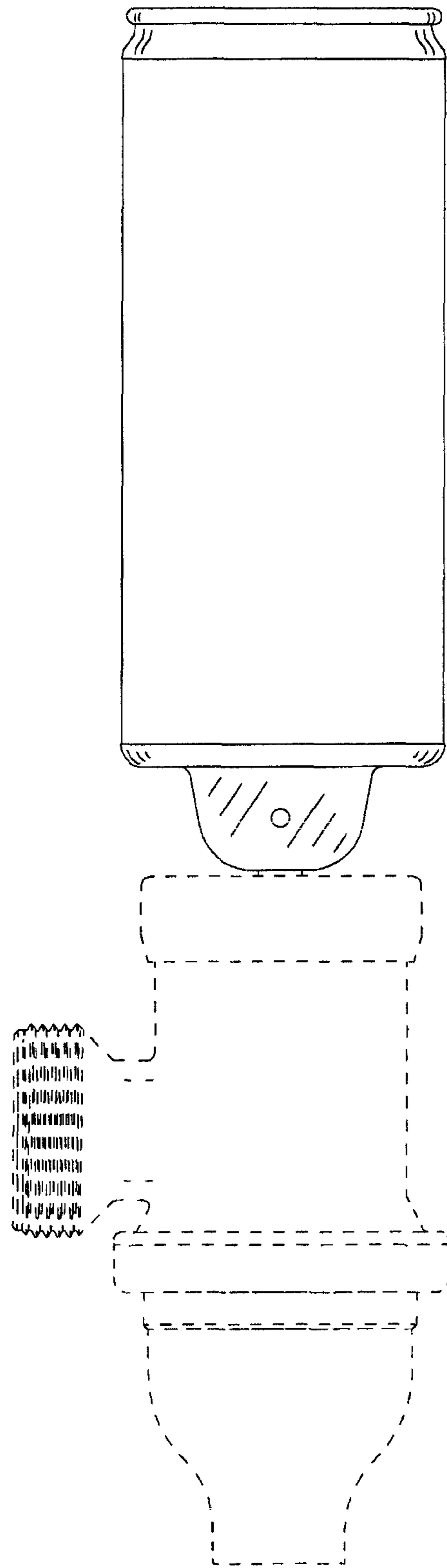


Fig. 4

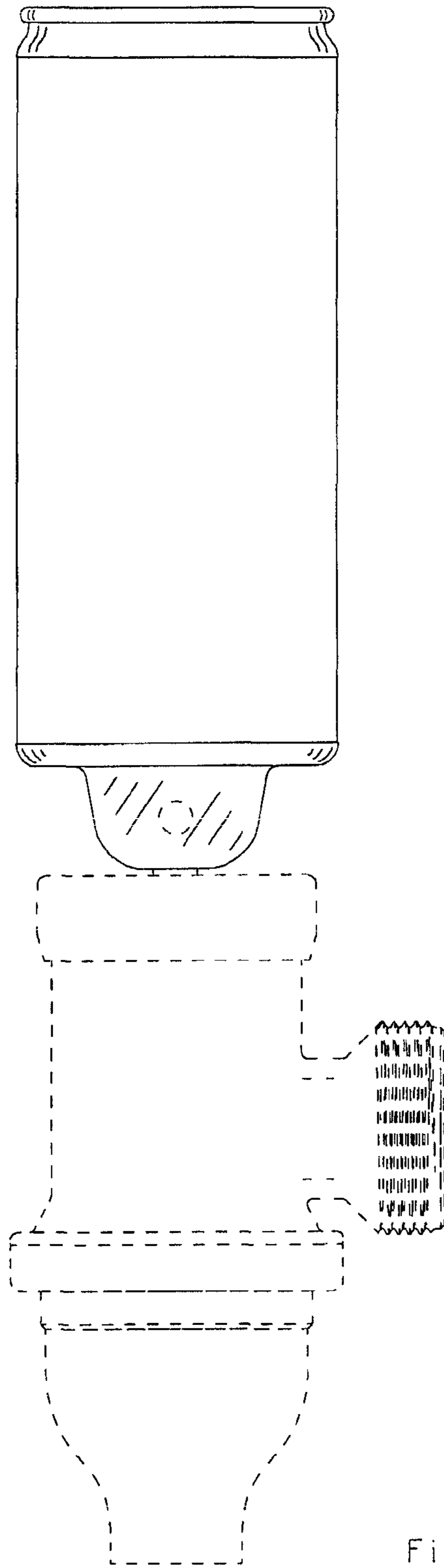


Fig. 5

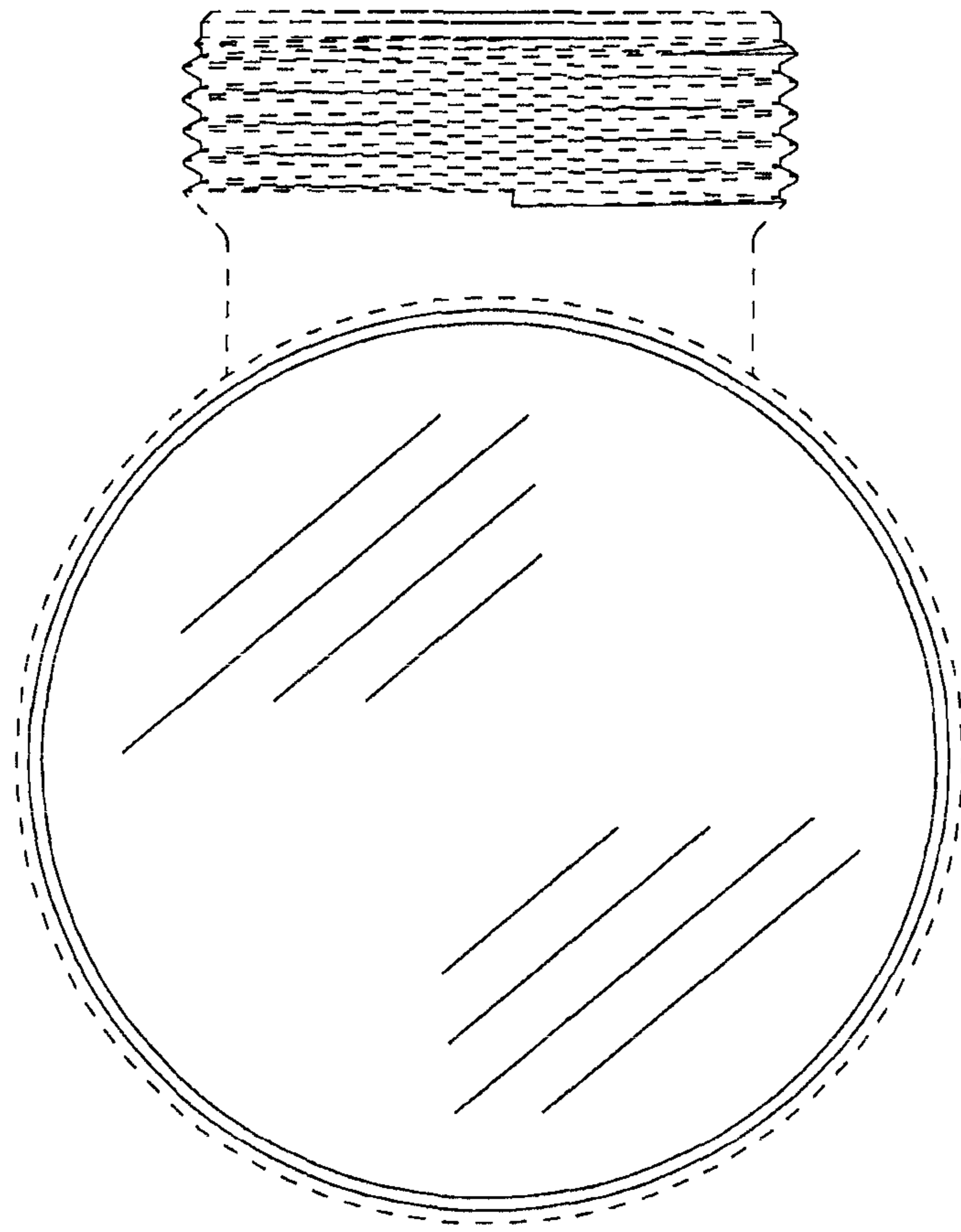


Fig. 6

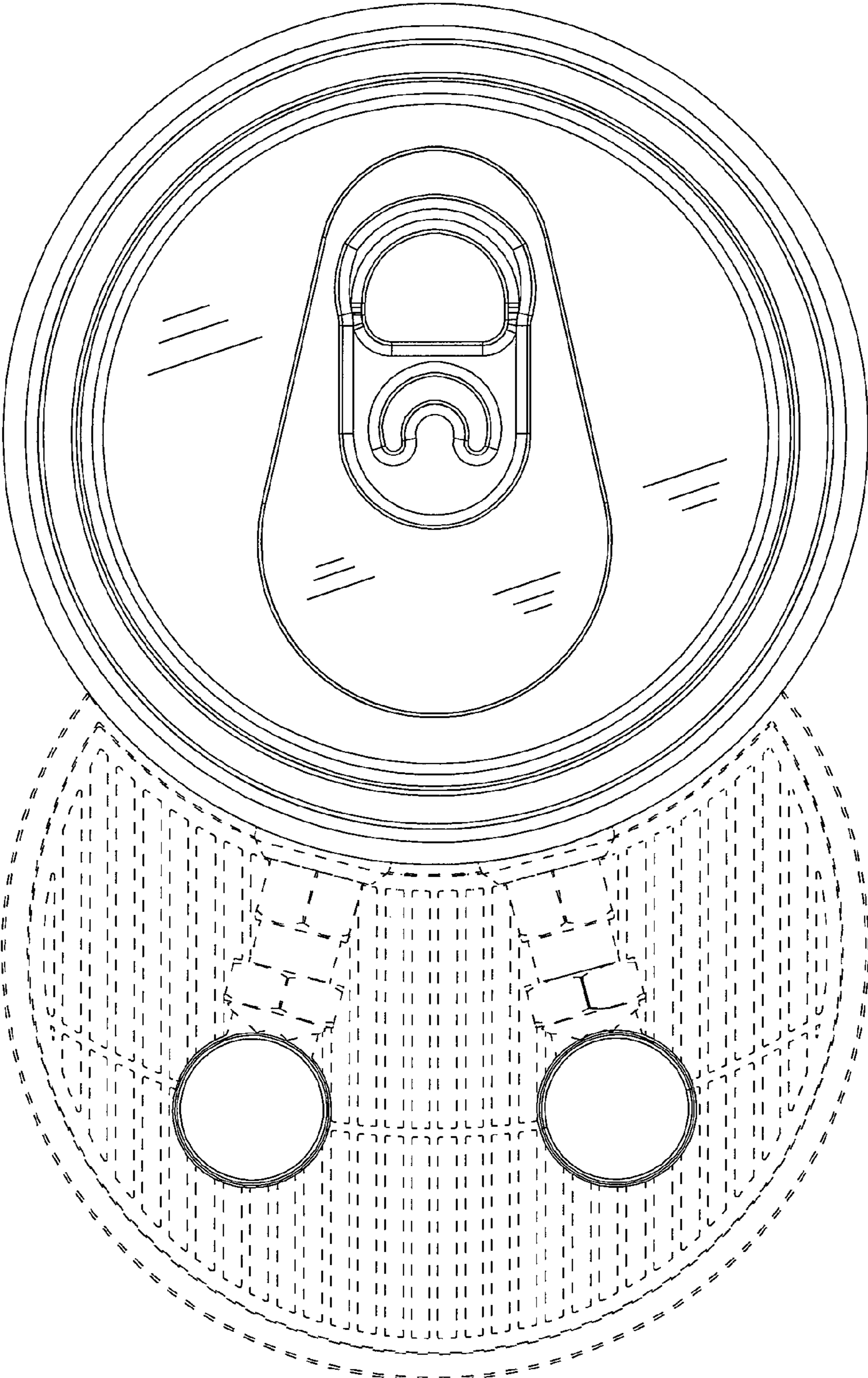


Fig. 7