

US00D699497S

(12) **United States Design Patent**  
**England**

(10) **Patent No.:** **US D699,497 S**

(45) **Date of Patent:** **\*\* Feb. 18, 2014**

(54) **BED**

*Primary Examiner — Janice Seeger*

(71) Applicant: **Standard Furniture Manufacturing Co., Inc.**, Bay Minette, AL (US)

(72) Inventor: **Michael England**, Johnson City, TN (US)

(73) Assignee: **Standard Furniture Manufacturing Co., Inc.**, Bay Minette, AL (US)

(\*\*) Term: **14 Years**

(21) Appl. No.: **29/459,150**

(22) Filed: **Jun. 26, 2013**

**Related U.S. Application Data**

(63) Continuation of application No. 29/416,696, filed on Mar. 26, 2012, now Pat. No. Des. 687,242.

(51) **LOC (10) Cl.** ..... **06-09**

(52) **U.S. Cl.**  
USPC ..... **D6/718.23**

(58) **Field of Classification Search**  
USPC ..... D6/382-384, 392-395, 702, 718,  
D6/718.23, 718.24; 5/53.1, 279.1, 280,  
5/281, 907

See application file for complete search history.

(56) **References Cited**

**U.S. PATENT DOCUMENTS**

D94,830 S *	3/1935	Grandovsky	.....	D6/335
2,691,175 A *	10/1954	Brahm et al.	.....	5/53.1
D545,078 S *	6/2007	Jourdan	.....	D6/393
D639,175 S *	6/2011	Venkataraman et al.	.....	D9/541
D639,578 S *	6/2011	Dordoni	.....	D6/393
D660,045 S *	5/2012	Lenney	.....	D6/393
D687,242 S *	8/2013	England	.....	D6/393

\* cited by examiner

(57) **CLAIM**

I claim the ornamental design for a bed, as shown and described.

**DESCRIPTION**

FIG. 1 is a perspective view of a bed showing a first embodiment of the claimed design;

FIG. 2 is a front side view of the design bed shown in FIG. 1; FIG. 3 is a back side view of the design of the bed shown in FIG. 1;

FIG. 4 is a right side view of the design of the bed shown in FIG. 1;

FIG. 5 is a left side view of the design of the bed shown in FIG. 1;

FIG. 6 is a top view of the design of the bed shown in FIG. 1; FIG. 7 is a perspective view of a bed showing a second embodiment of the claimed design;

FIG. 8 is a front side view of the design bed shown in FIG. 7; FIG. 9 is a back side view of the design of the bed shown in FIG. 7;

FIG. 10 is a right side view of the design of the bed shown in FIG. 7;

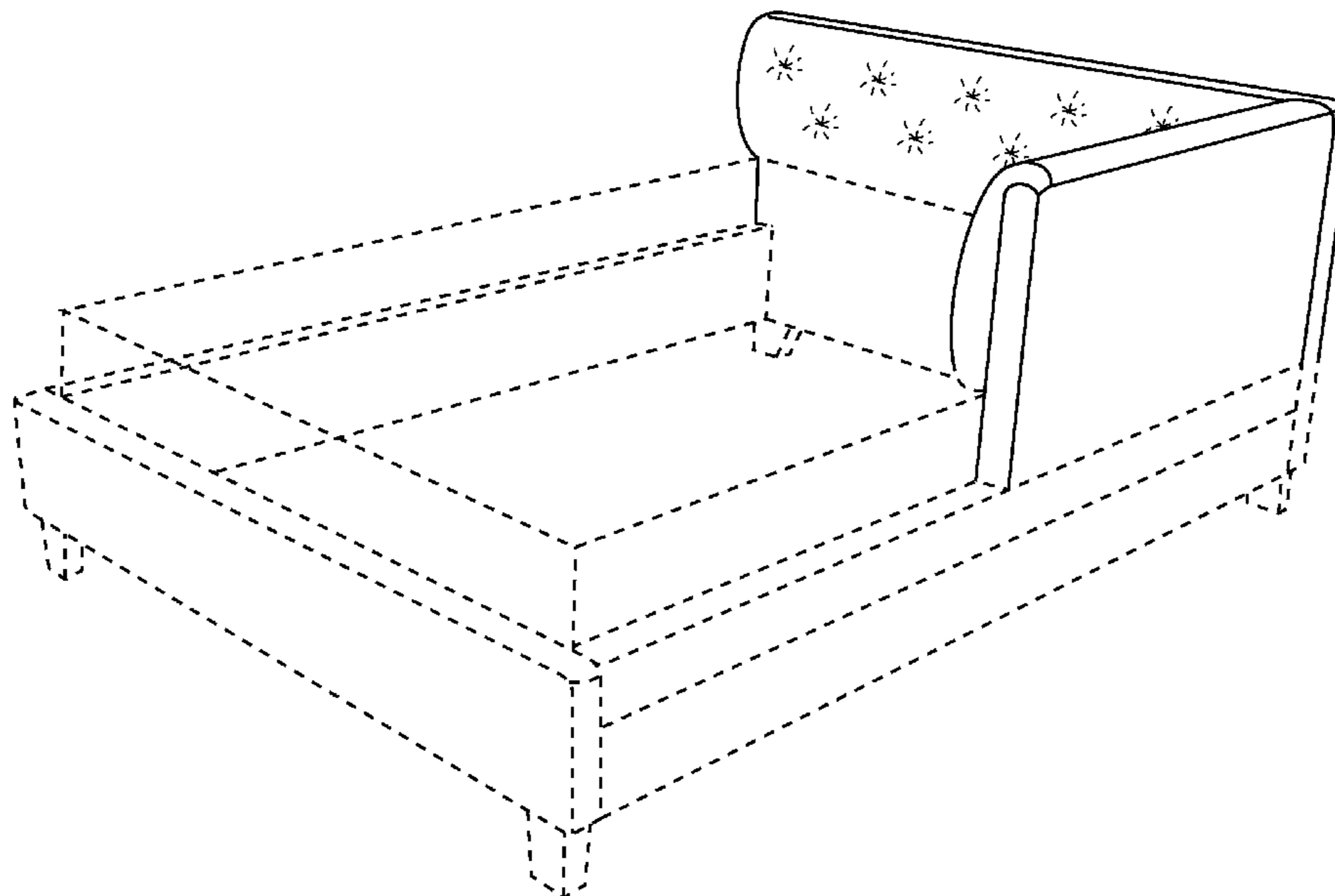
FIG. 11 is a left side view of the design of the bed shown in FIG. 7; and,

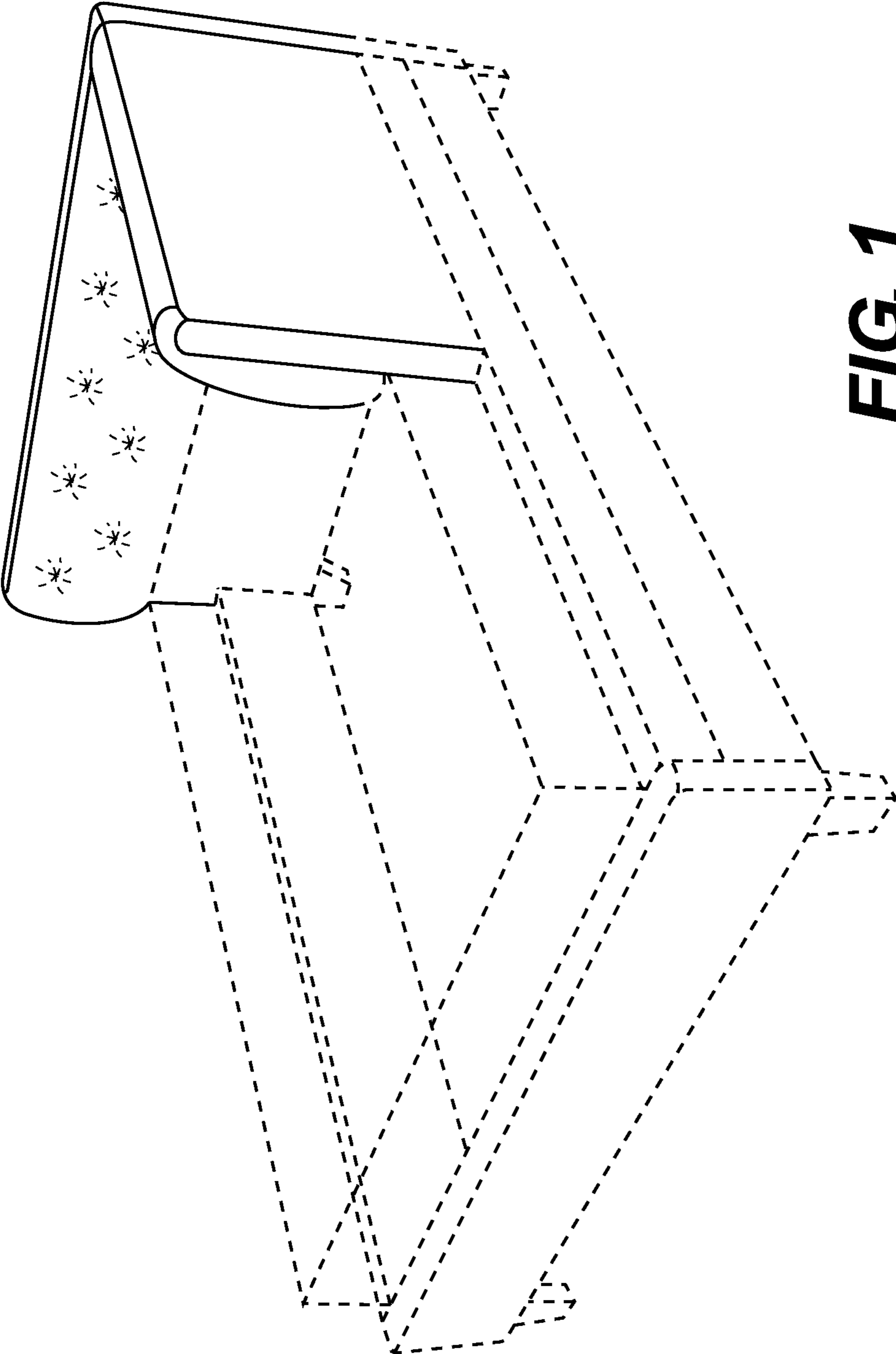
FIG. 12 is a top view of the design of the bed shown in FIG. 7.

The bottom of the bed, not shown, forms no part of the claimed design.

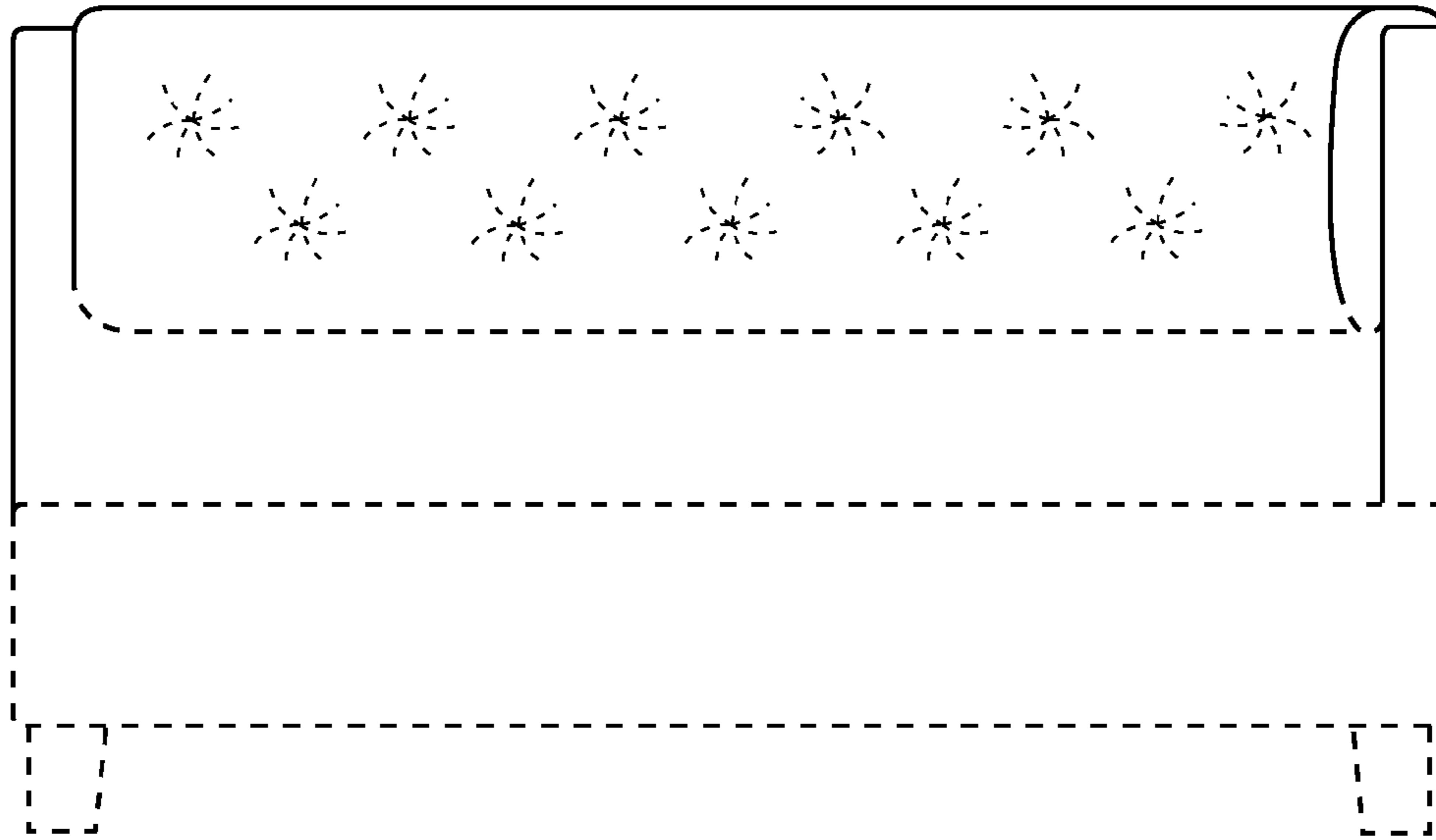
The broken lines in the drawings are for illustrative purposes only and form no part of the claimed design.

**1 Claim, 8 Drawing Sheets**

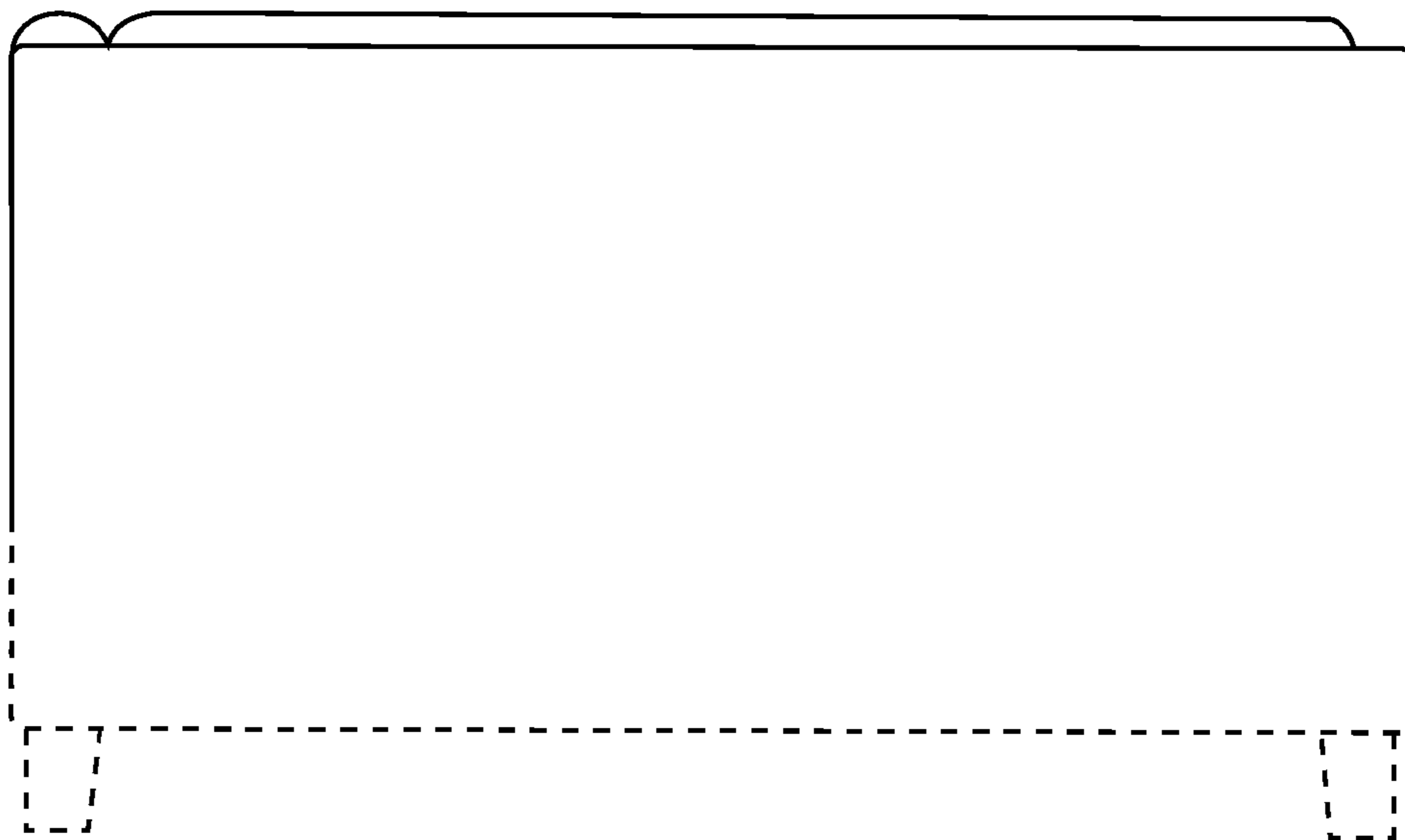




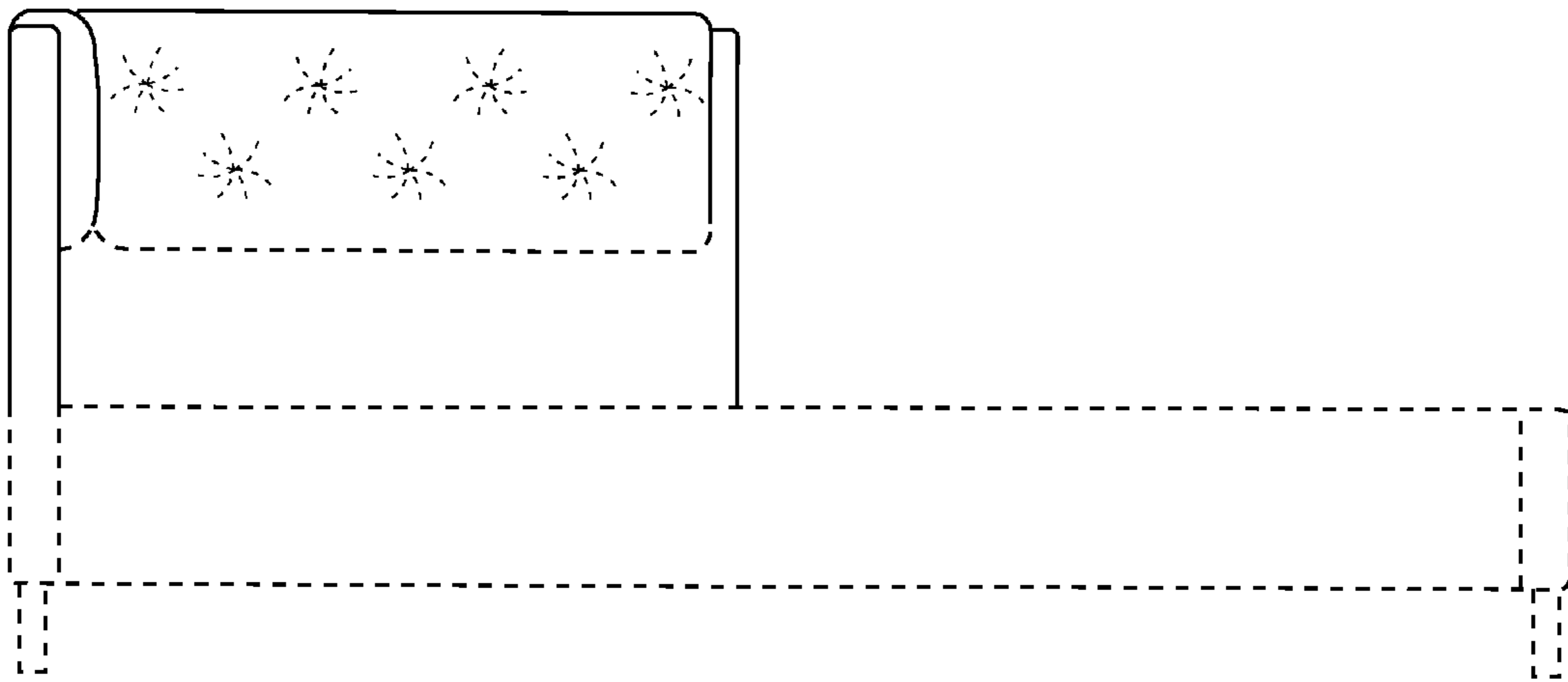
**FIG. 1**



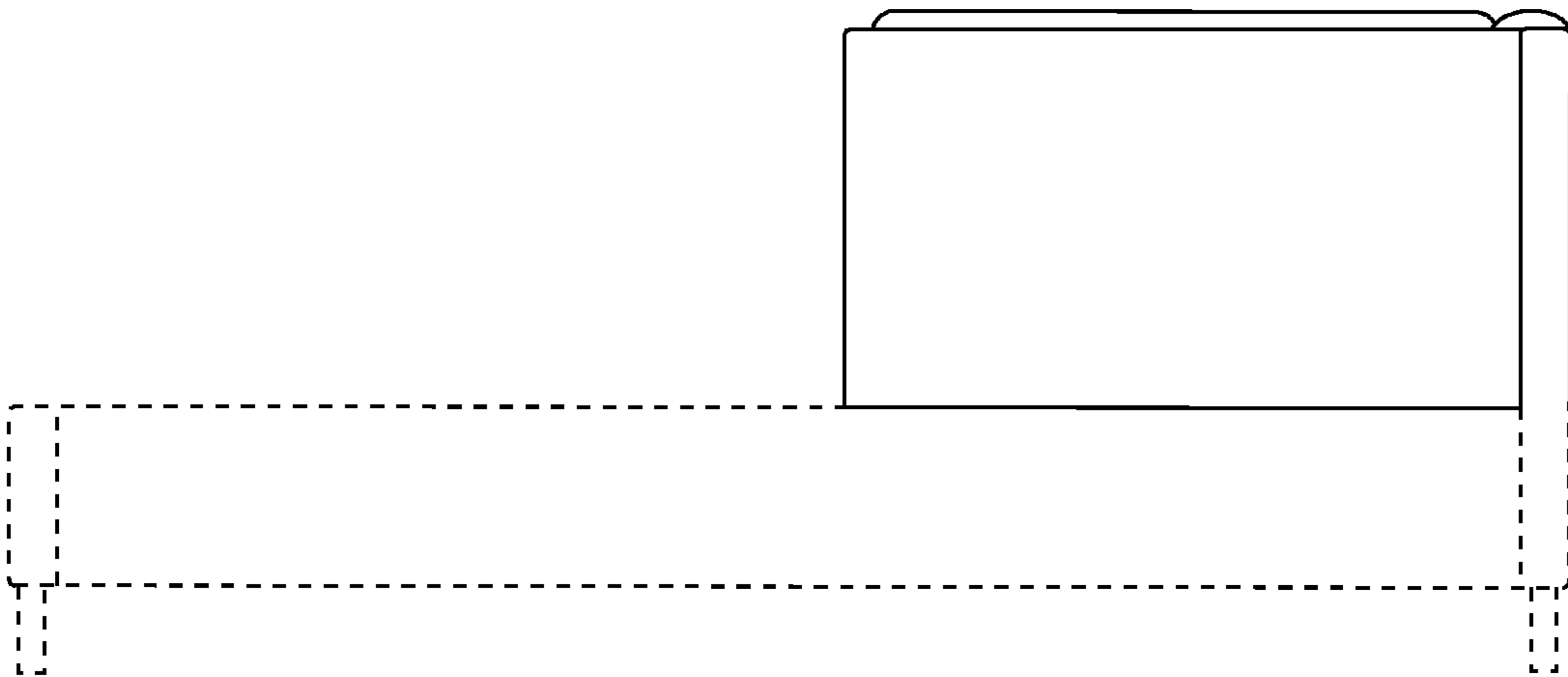
**FIG. 2**



**FIG. 3**



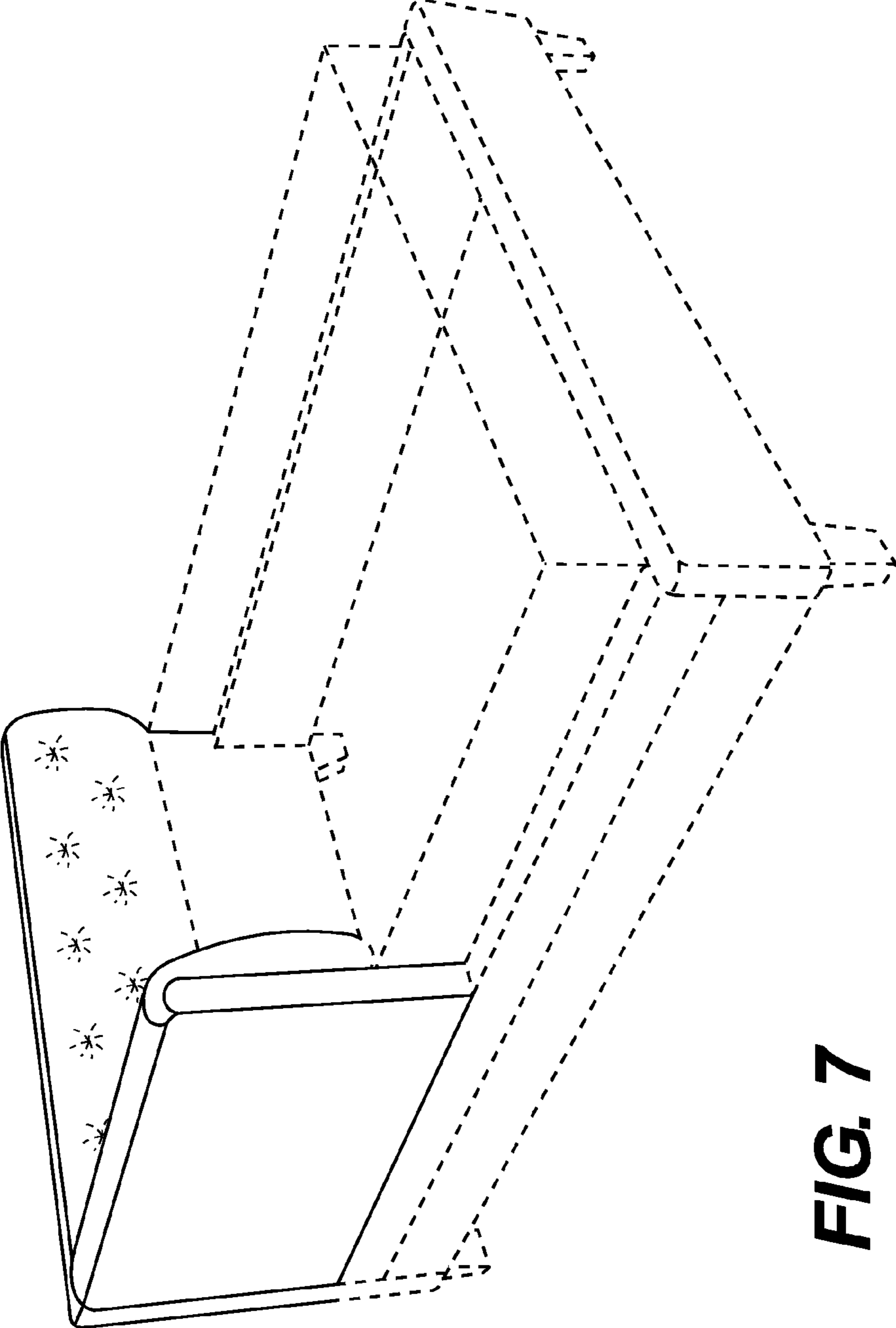
**FIG. 4**



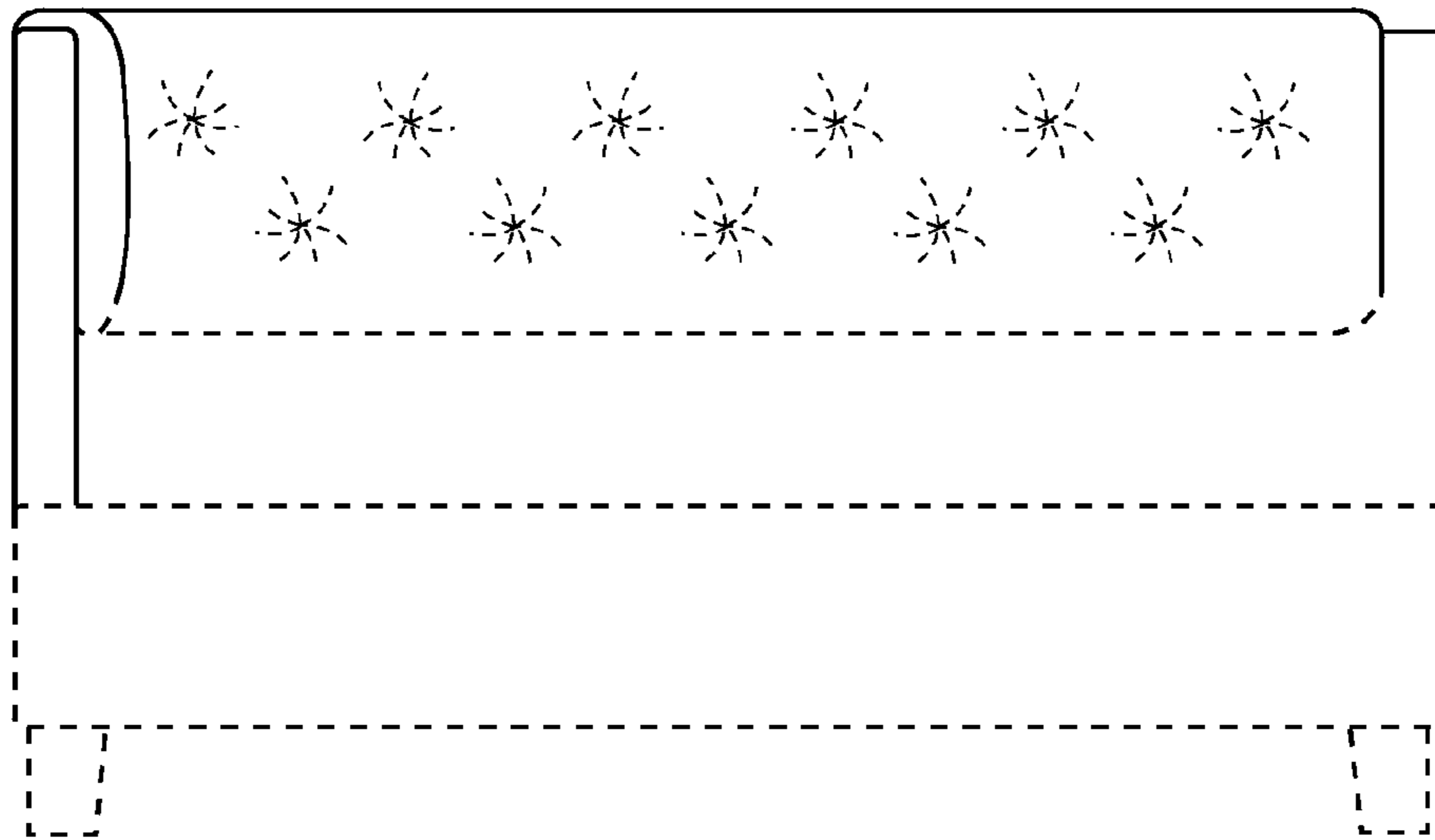
**FIG. 5**



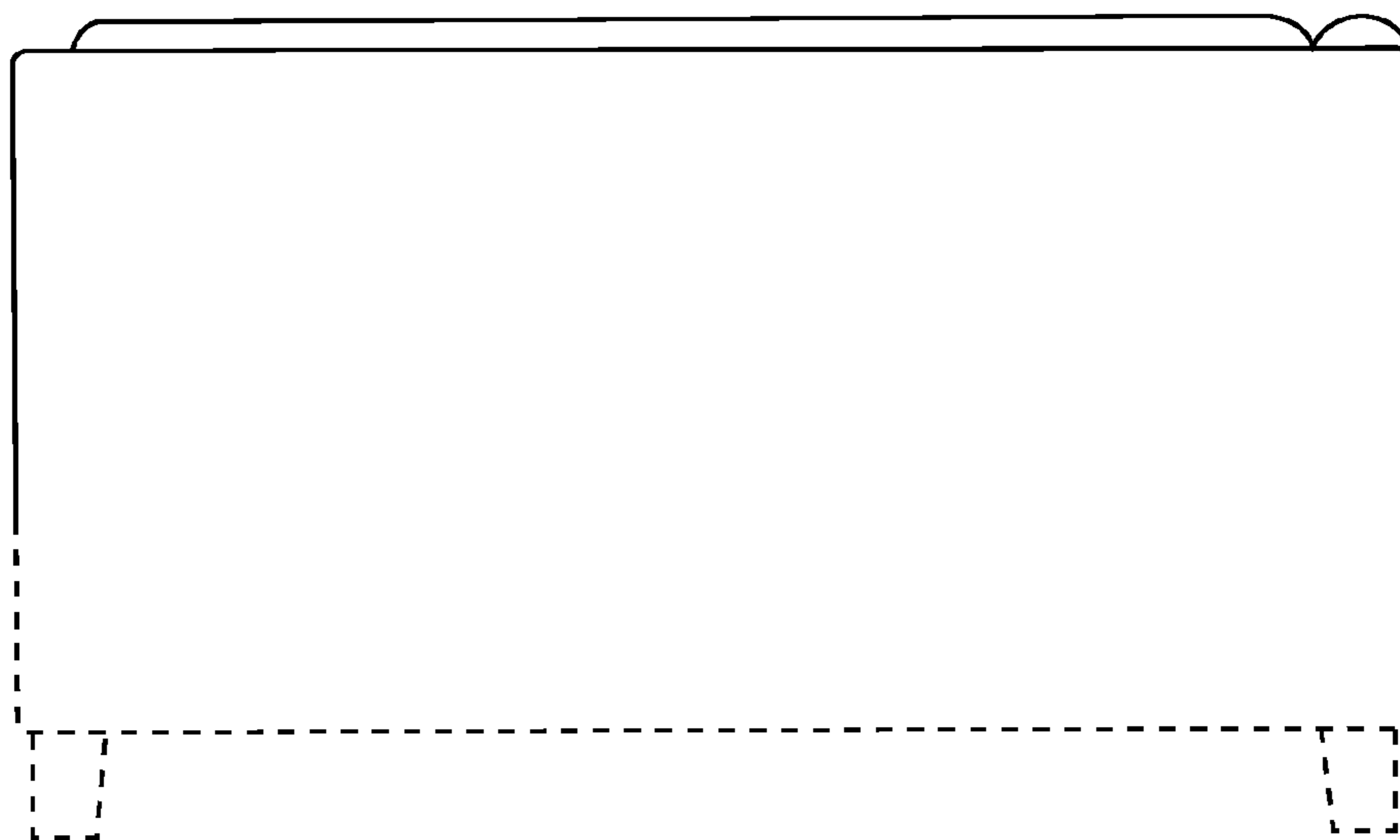
***FIG. 6***



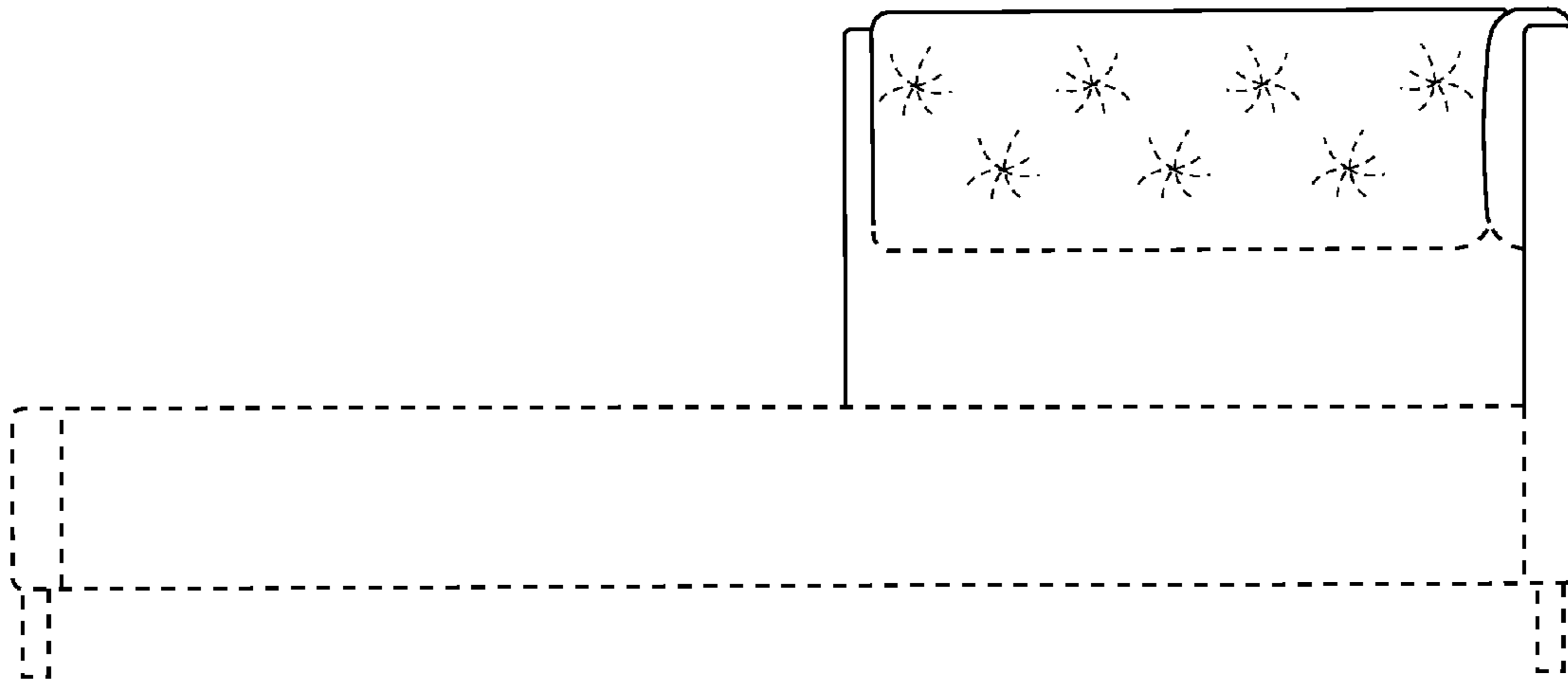
**FIG. 7**



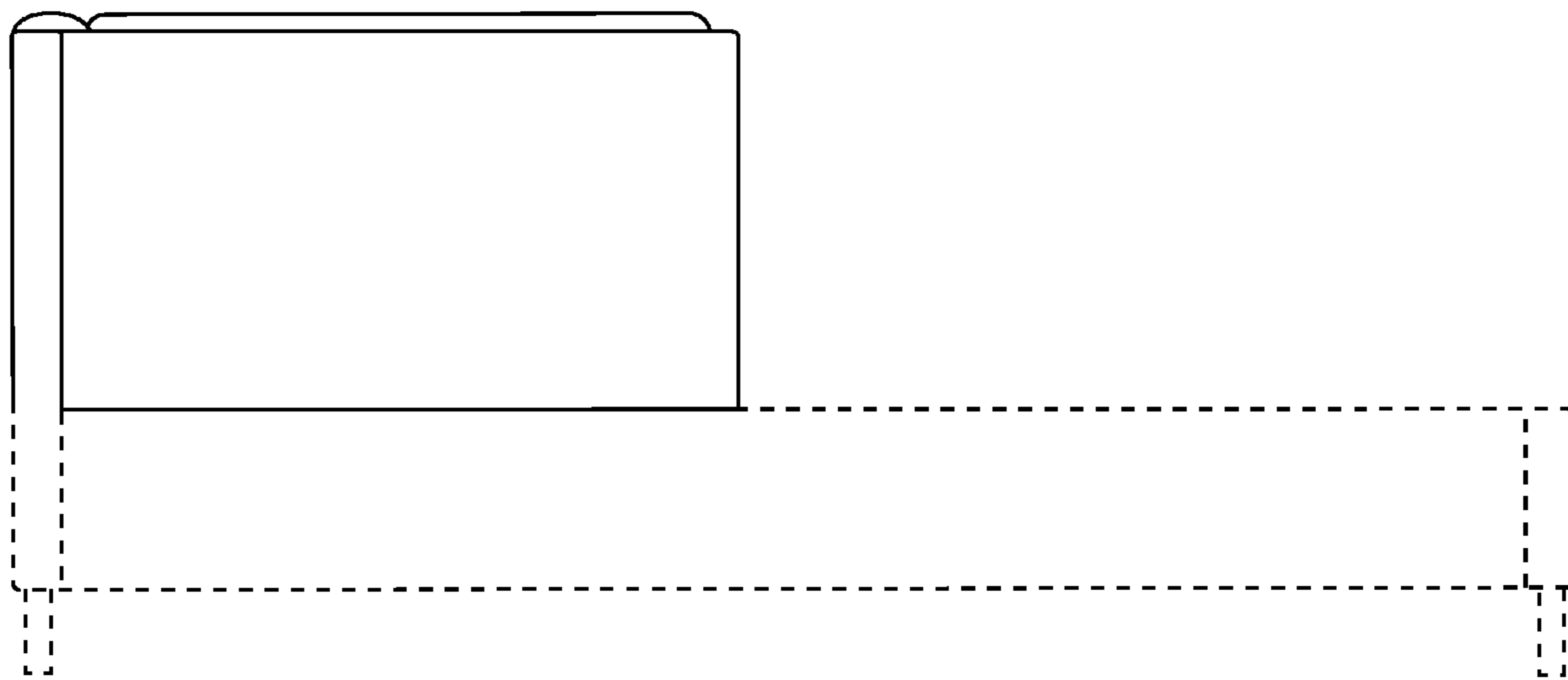
**FIG. 8**



**FIG. 9**

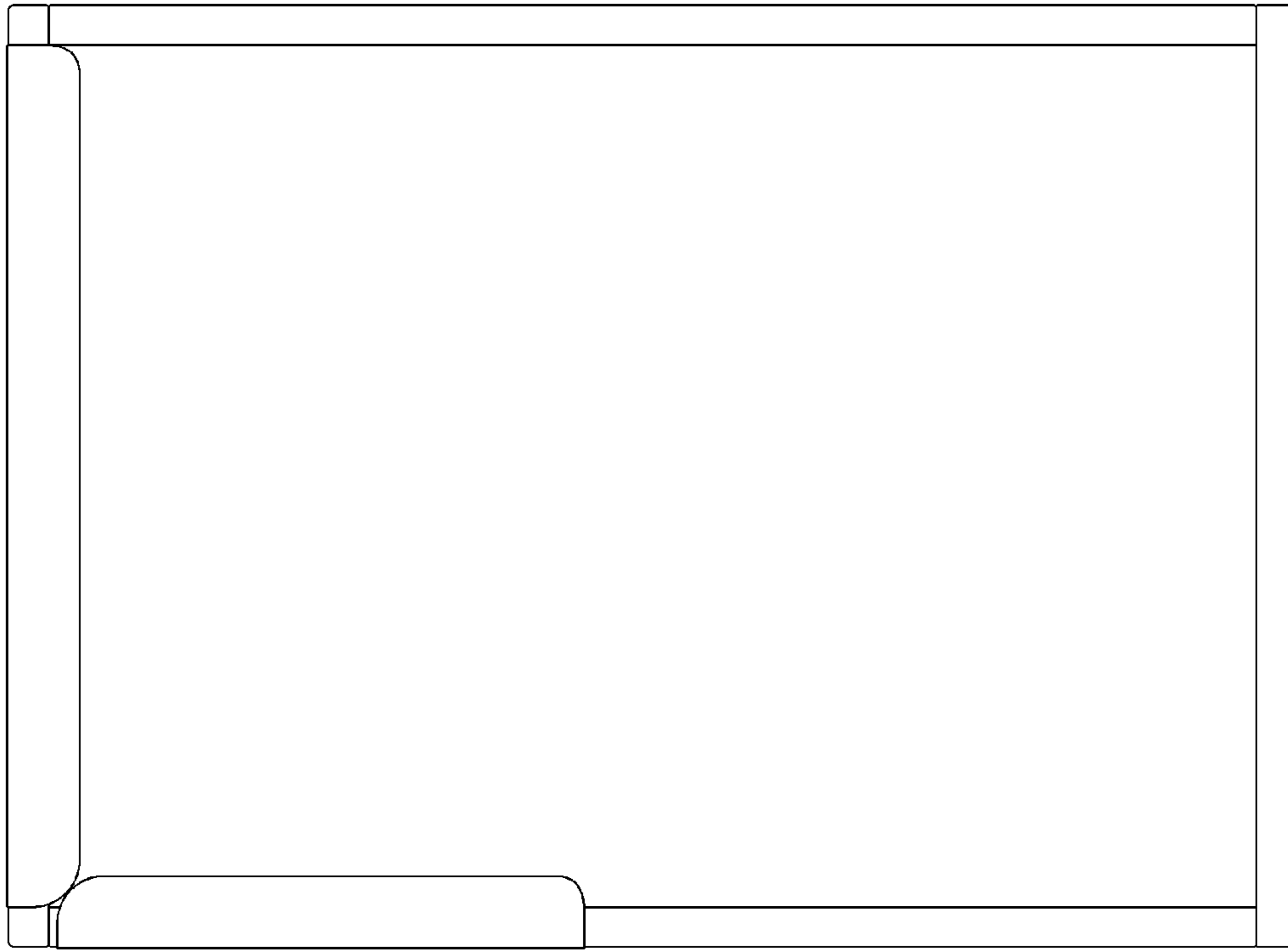


**FIG. 10**



**FIG. 11**





**FIG. 12**