



US00D699496S

(12) **United States Design Patent**
McCarty et al.

(10) **Patent No.:** **US D699,496 S**

(45) **Date of Patent:** **** Feb. 18, 2014**

(54) **CUSHION PAD FOR A BED**

(71) Applicants: **Ruoey Lung Enterprise Corp.**,
Lu-Kang Township, Changhua County
(TW); **PPJ. LLC**, Natick, MA (US)

(72) Inventors: **Philip Woods McCarty**, Natick, MA
(US); **Philip Reid Sherman**, Melville,
NY (US); **Chuan-Hang Shih**, Lu-Kang
Township, Changhua County (TW)

(73) Assignees: **Ruoey Lung Enterprise Corp.**,
Changhua County (TW); **PPJ.LLC**,
Natick, MA (US)

(**) Term: **14 Years**

(21) Appl. No.: **29/445,245**

(22) Filed: **Feb. 8, 2013**

(51) **LOC (10) Cl.** **06-09**

(52) **U.S. Cl.**
USPC **D6/718**; D6/606; D6/601

(58) **Field of Classification Search**
USPC D6/595-597, 601, 604, 382, 392, 718;
5/630, 632, 636, 640, 646, 417, 420,
5/652, 653, 655, 655.9, 656, 907, 648,
5/749, 236.1, 613, 617, 618, 149, 620,
5/722

See application file for complete search history.

(56) **References Cited**

U.S. PATENT DOCUMENTS

2,182,861	A *	12/1939	Albert	5/722
4,829,615	A *	5/1989	Raymond	5/731
5,109,558	A *	5/1992	Di Blasi	5/611
D347,541	S *	6/1994	Cook	D6/601
6,499,163	B1 *	12/2002	Stensby	5/618

* cited by examiner

Primary Examiner — Janice Seeger

(74) *Attorney, Agent, or Firm* — Muncy, Geissler, Olds &
Lowe, P.C.

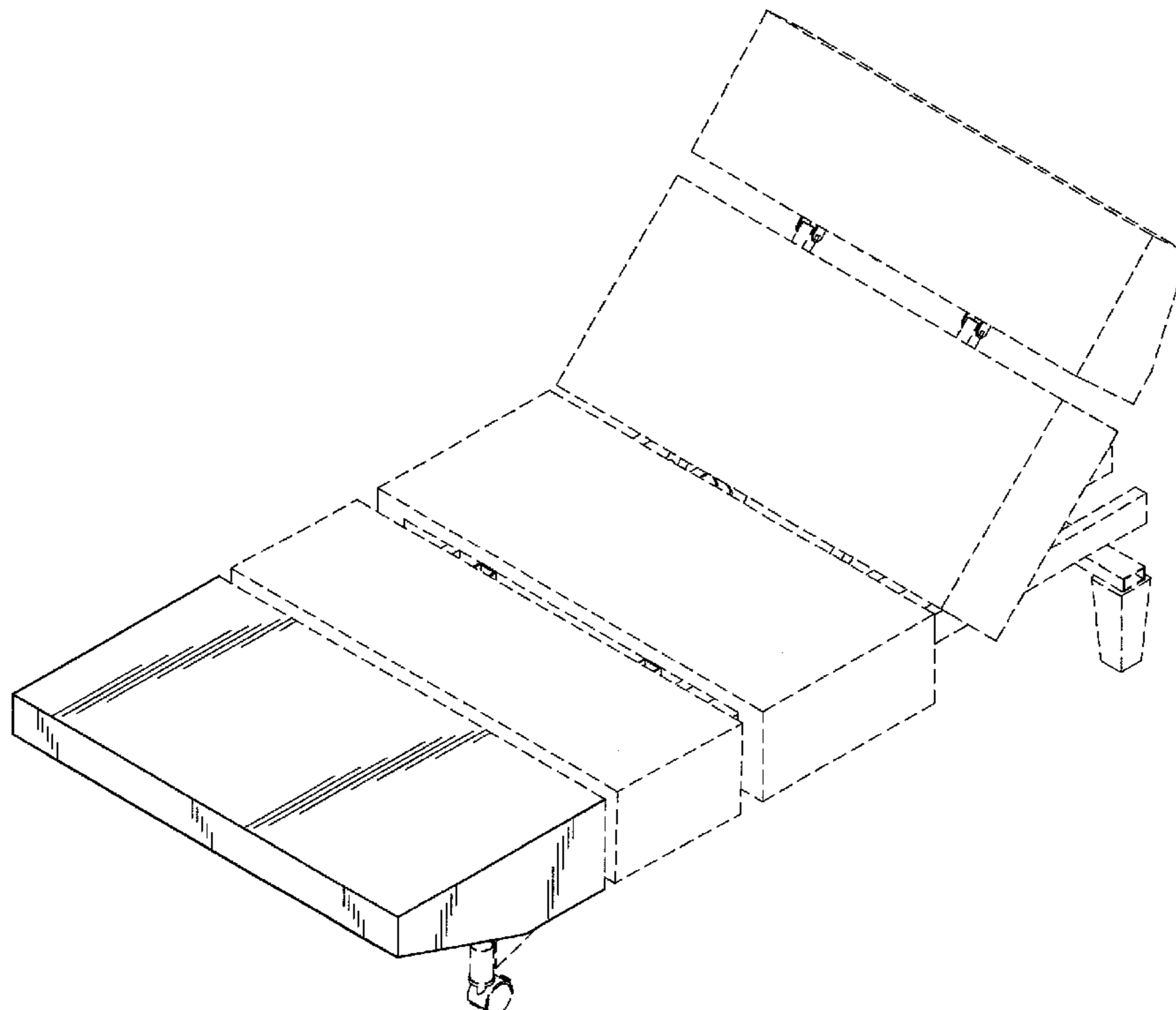
(57) **CLAIM**

The ornamental design for a cushion pad for a bed, as shown
and described.

DESCRIPTION

FIG. 1 shows a perspective view of the present design.
FIG. 2 shows a front view of the present design,
FIG. 3 shows a left side view of the present design
FIG. 4 shows a top view of the present design; and,
FIG. 5 shows a bottom view of the present design.
The broken lines showing of structural feature is indeed for
the purpose of illustrating non-claimed subject matter and
forms no part of the claimed design.

1 Claim, 5 Drawing Sheets



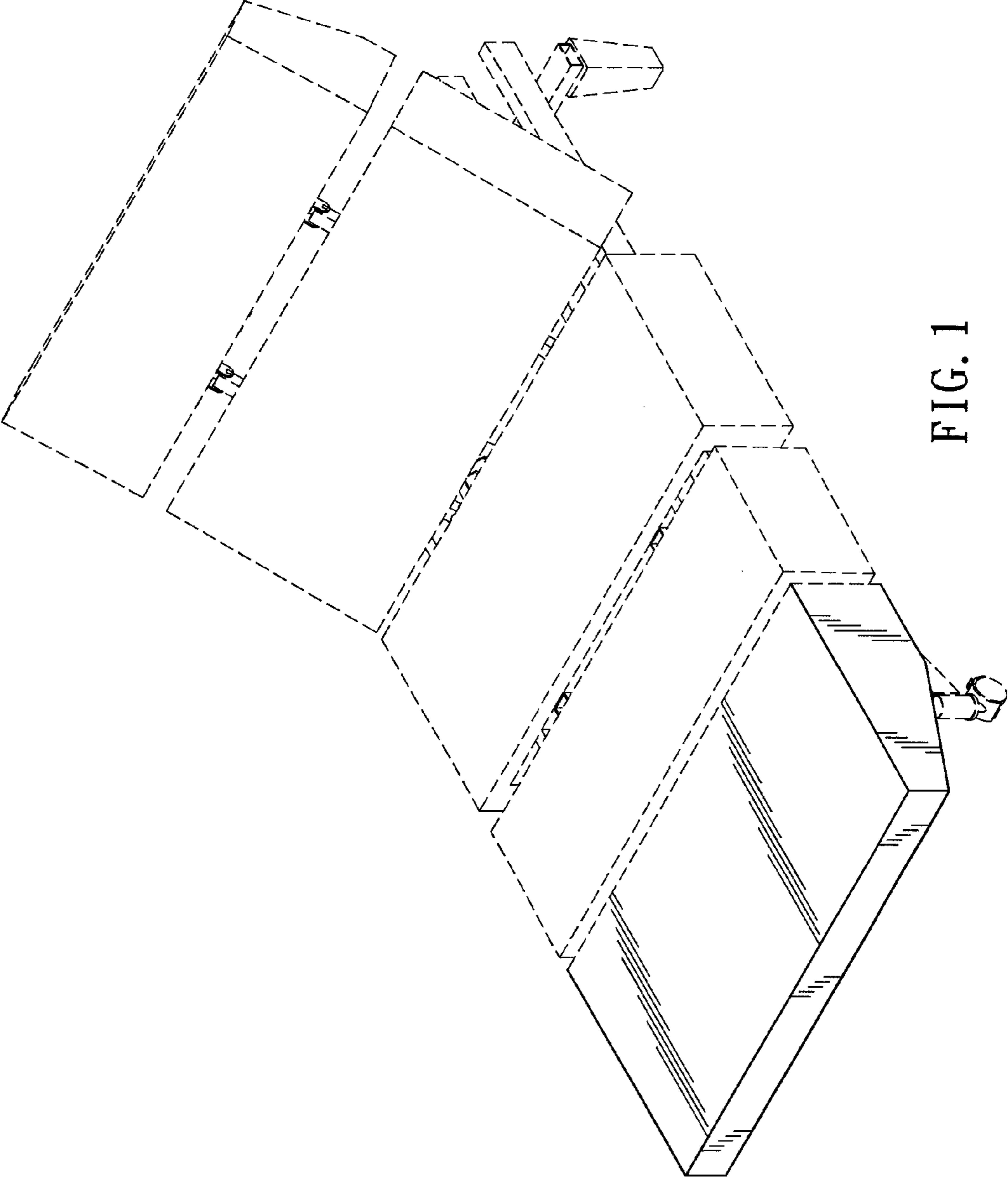


FIG. 1

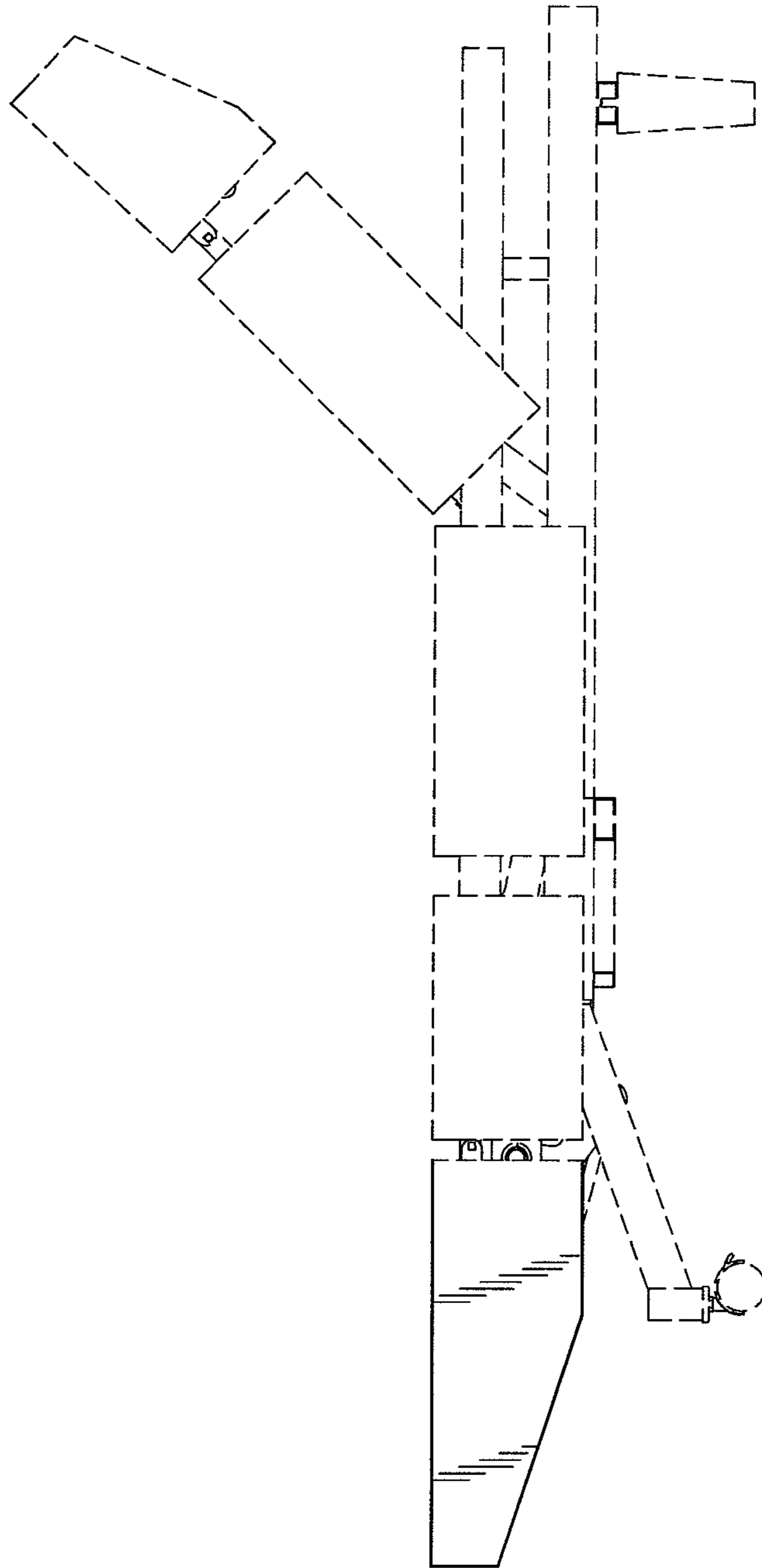


FIG. 2

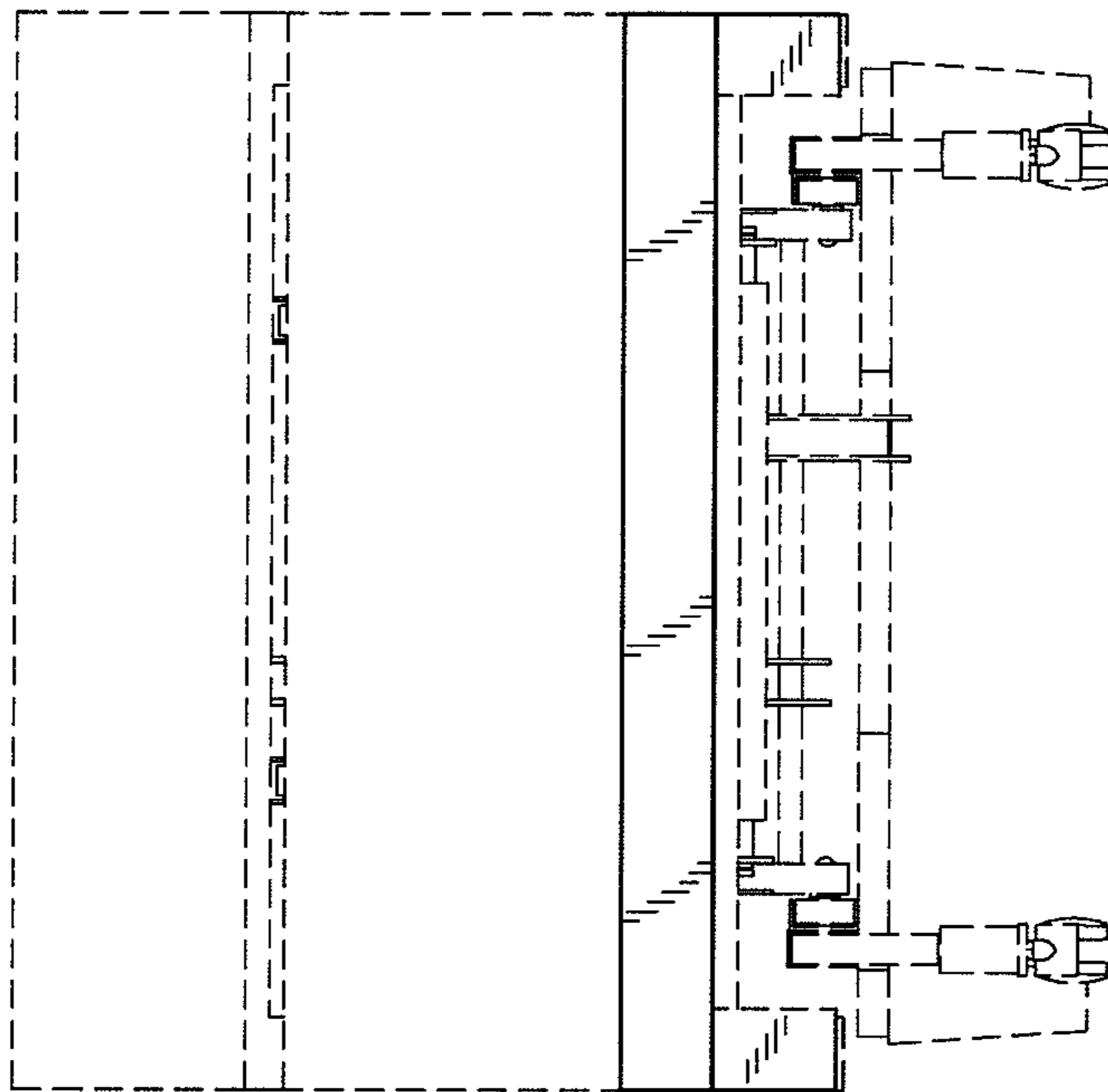


FIG. 3

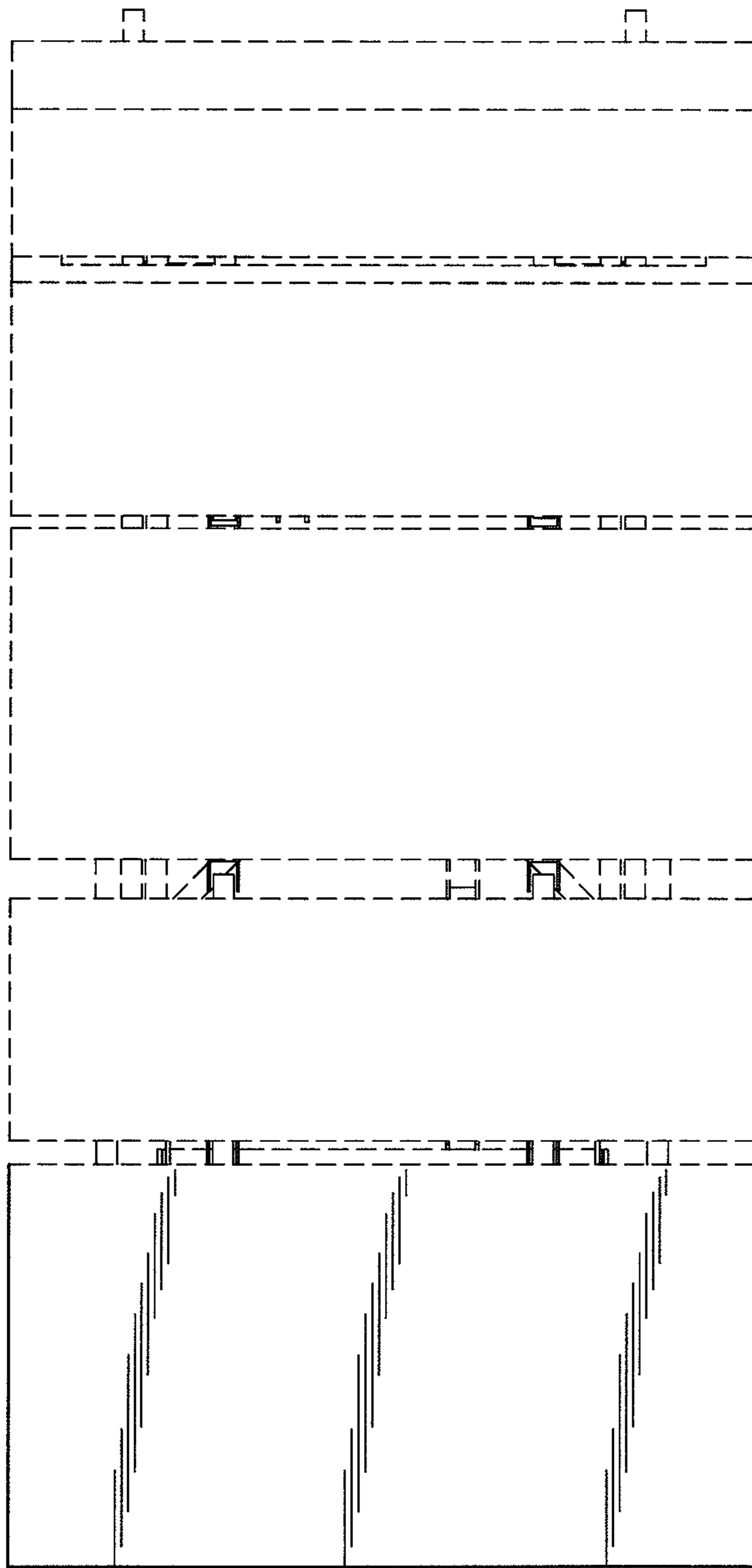


FIG. 4

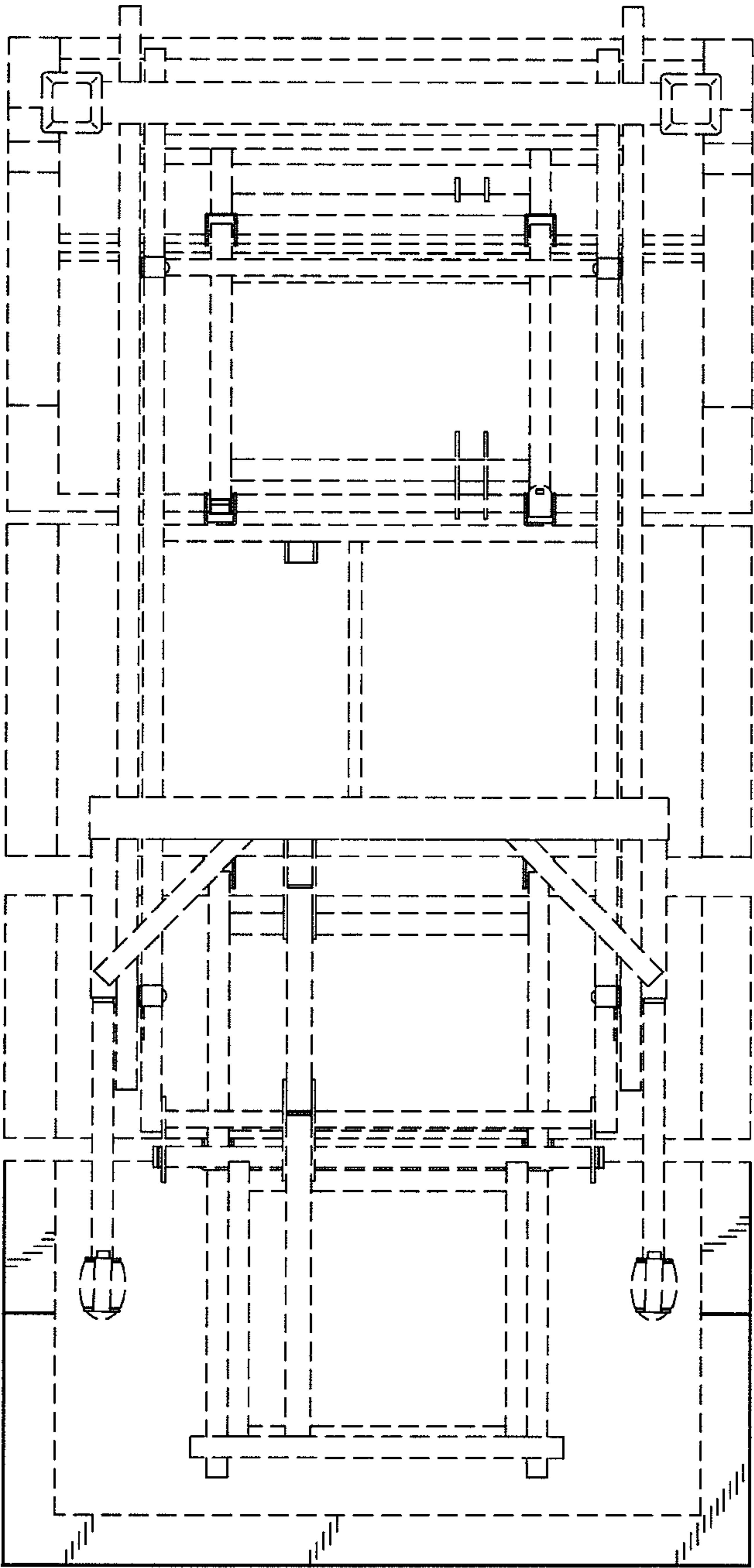


FIG. 5