



US00D699495S

(12) **United States Design Patent**  
**McCarty et al.**

(10) **Patent No.:** **US D699,495 S**

(45) **Date of Patent:** **\*\* Feb. 18, 2014**

(54) **CUSHION PAD FOR A BED**

(75) Inventors: **Philip Woods McCarty**, Natick, MA (US); **Philip Reid Sherman**, Melville, NY (US); **Shih Chuan-Hang**, Changhua County (TW)

(73) Assignees: **Ruoey Lund Enterprise Corp.**, Changhua County (TW); **PPJ.LLC**, Natick, MA (US)

(\*\*) Term: **14 Years**

(21) Appl. No.: **29/432,340**

(22) Filed: **Sep. 14, 2012**

(51) **LOC (10) Cl.** ..... **06-09**

(52) **U.S. Cl.**

USPC ..... **D6/718**; D6/606; D6/601

(58) **Field of Classification Search**

USPC ..... D6/595-597, 601, 604, 382, 392, 718;  
5/630, 632, 636, 640, 646, 417, 420,  
5/652, 653, 655, 655.9, 656, 907, 648,  
5/749, 236.1, 613, 617, 618, 149, 620,  
5/722

See application file for complete search history.

(56) **References Cited**

**U.S. PATENT DOCUMENTS**

2,182,861 A \* 12/1939 Albert ..... 5/722  
4,646,374 A \* 3/1987 Shafer ..... 5/653

4,829,615 A \* 5/1989 Raymond ..... 5/731  
D347,541 S \* 6/1994 Cook ..... D6/601  
8,555,437 B2 \* 10/2013 Gorovitz ..... 5/613  
2009/0100596 A1 \* 4/2009 Weedling et al. .... 5/81.1 HS

\* cited by examiner

*Primary Examiner* — Janice Seeger

(74) *Attorney, Agent, or Firm* — Muncy, Geissler, Olds & Lowe, P.C.

(57) **CLAIM**

The ornamental design for cushion pad for a bed, as shown and described.

**DESCRIPTION**

FIG. 1 shows a perspective view of the cushion pad of the present design.

FIG. 2 shows a front view of the cushion pad of the present design.

FIG. 3 shows a right view of the cushion pad of the present design.

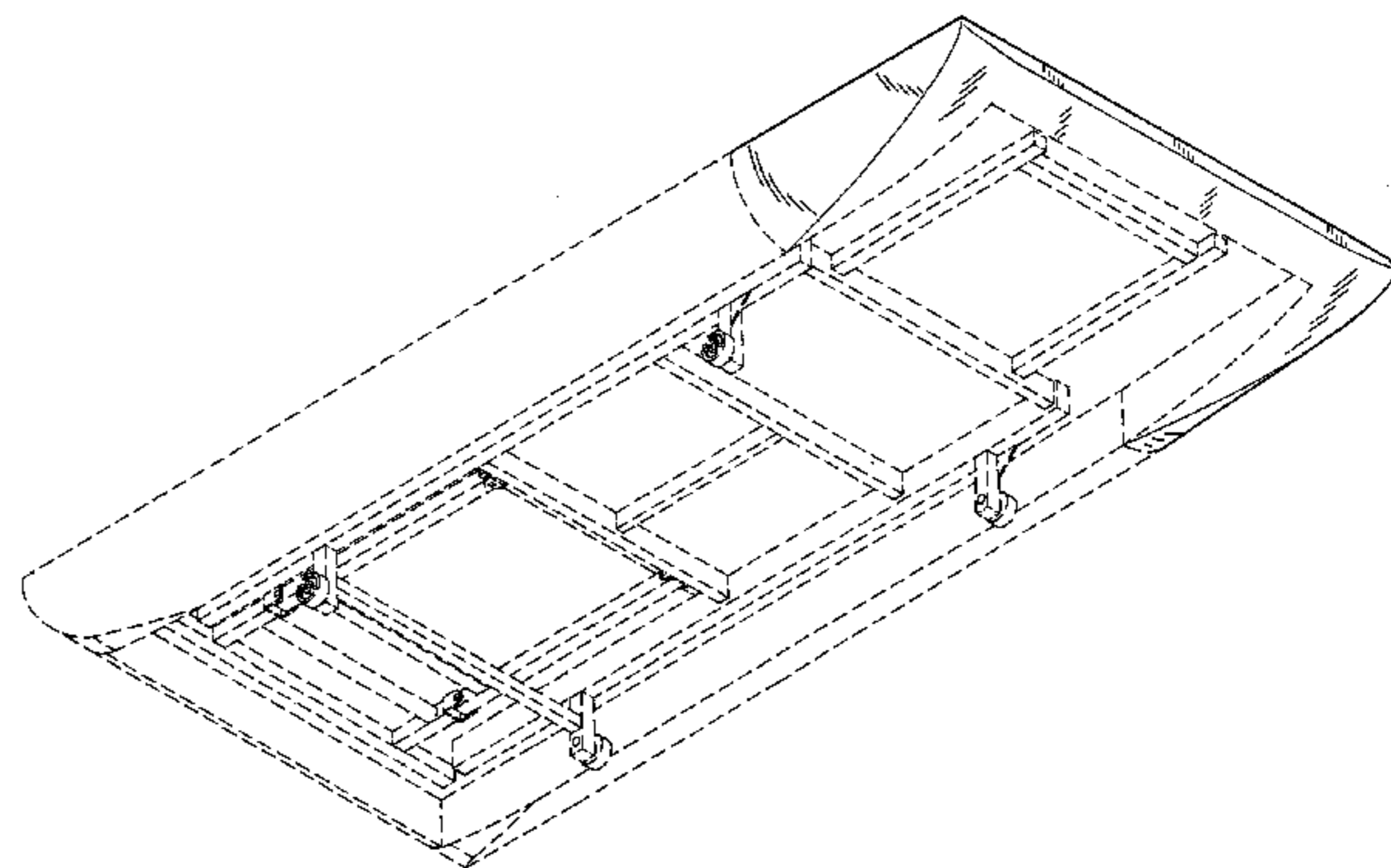
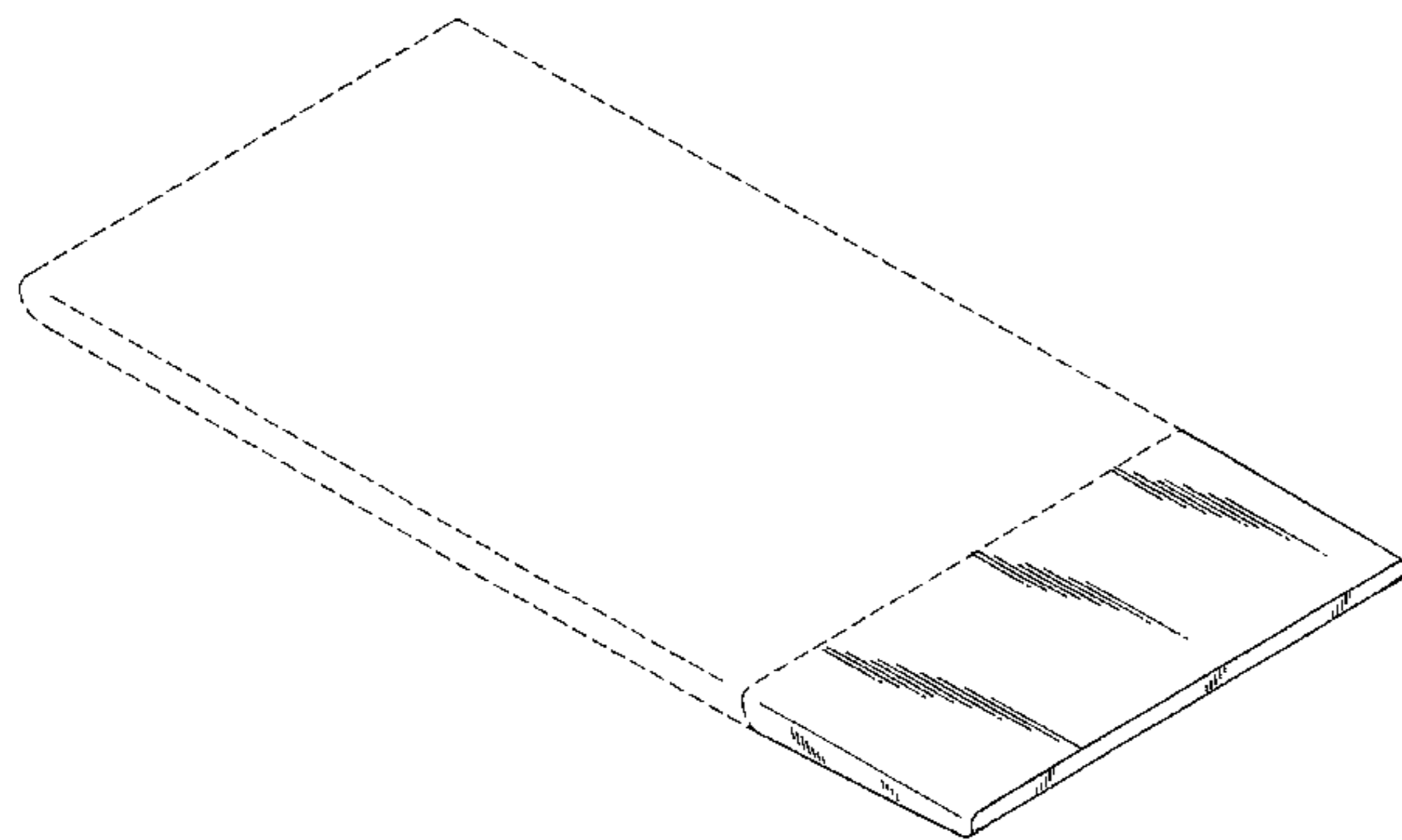
FIG. 4 shows a top view of the cushion pad of the present design.

FIG. 5 shows a bottom view of the cushion pad of the present design; and,

FIG. 6 shows another perspective view of the cushion pad of the present design.

The broken lines are for environmental purposes only and form no part of the claimed design.

**1 Claim, 6 Drawing Sheets**



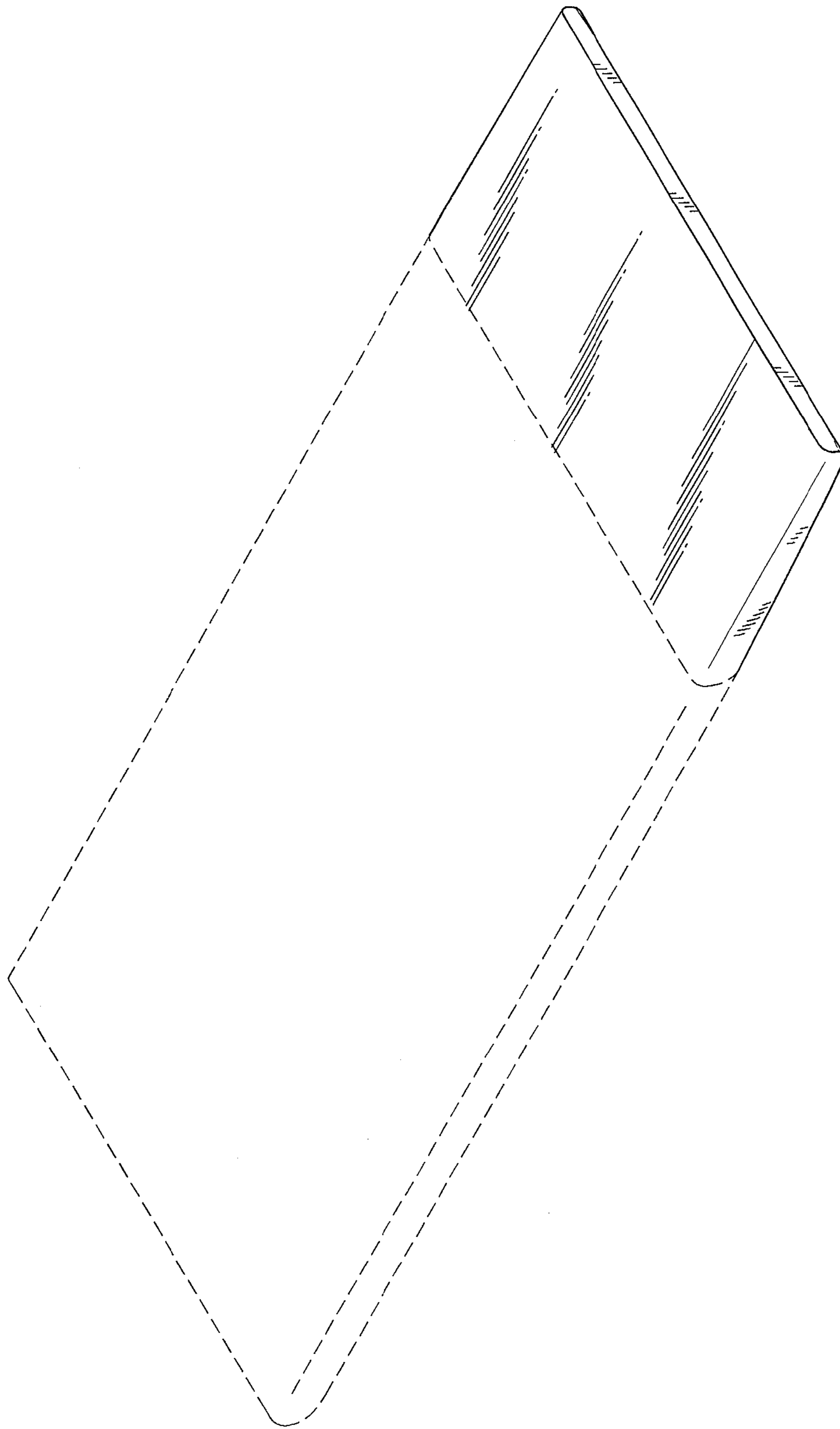


FIG. 1

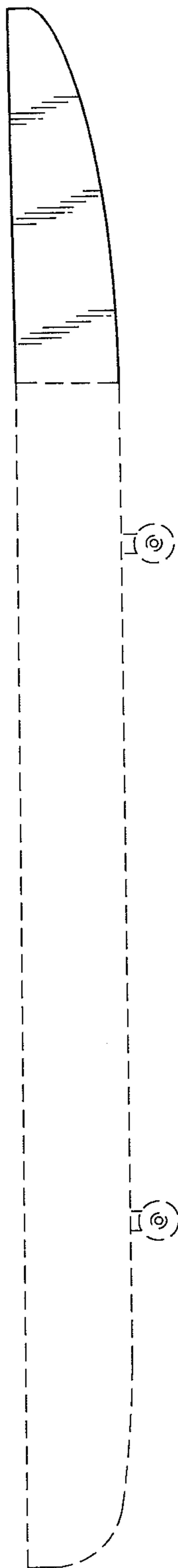


FIG. 2

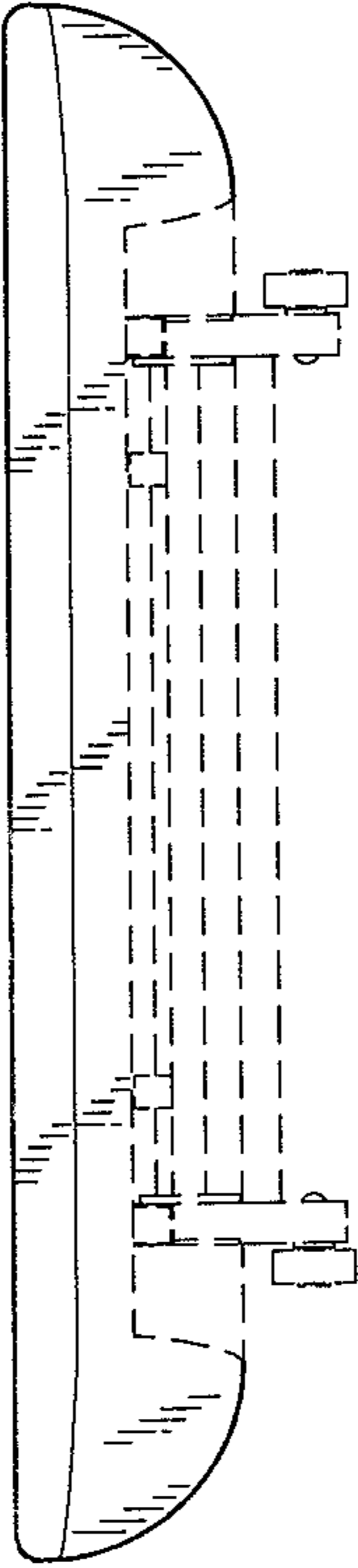


FIG. 3

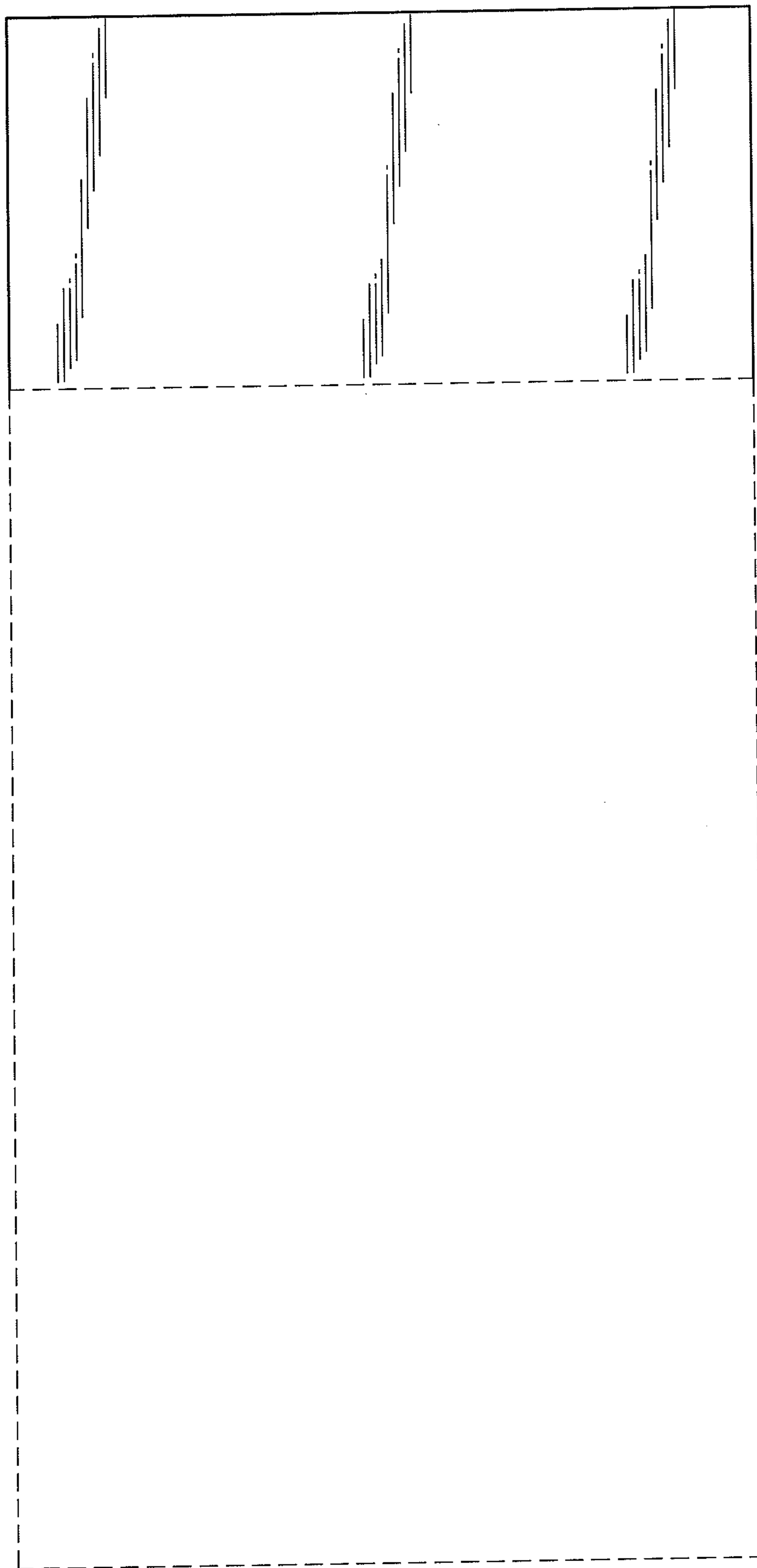


FIG. 4

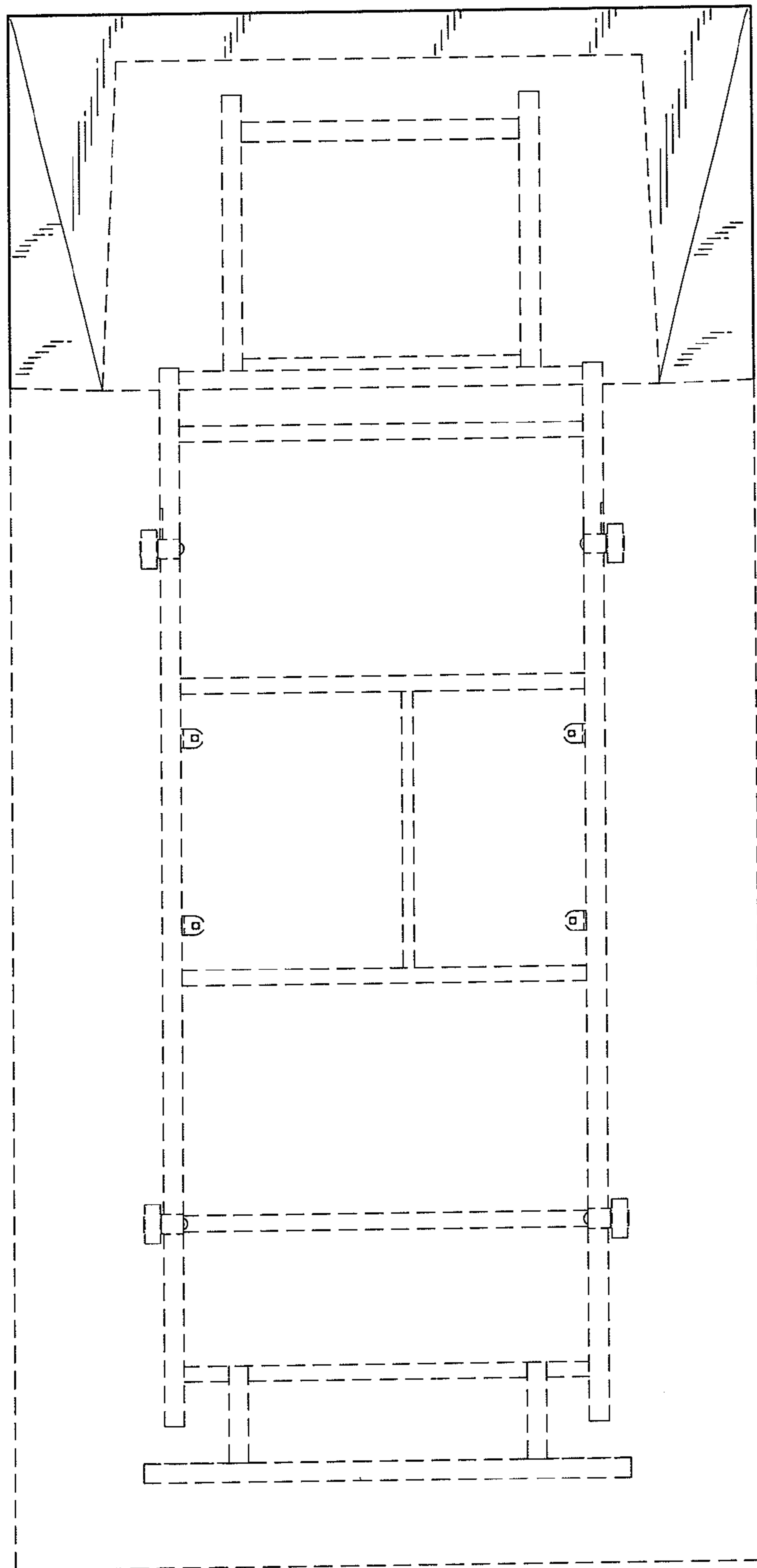


FIG. 5

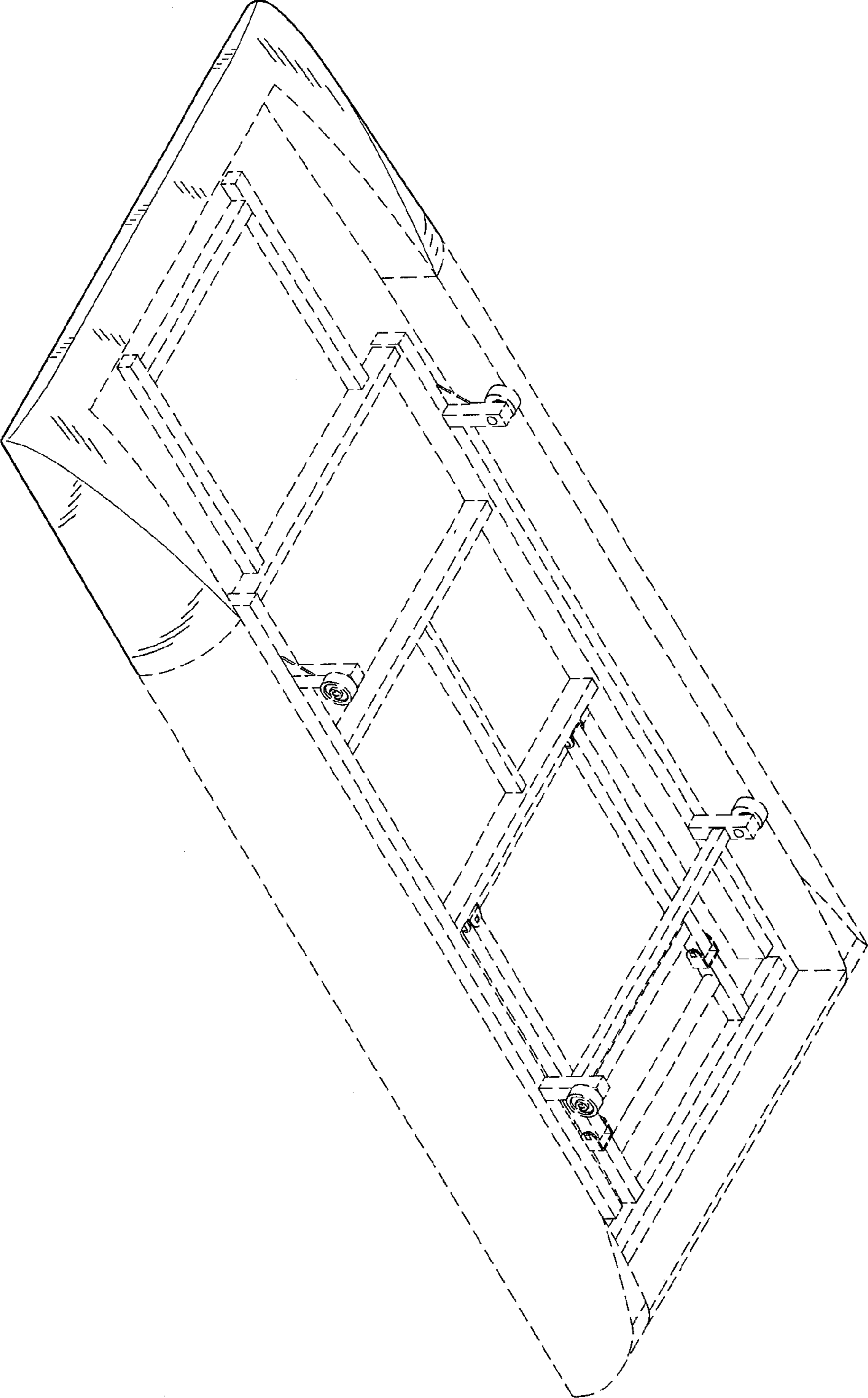


FIG. 6