

US00D699493S

(12) **United States Design Patent**  
**Kac-Yuglich**

(10) **Patent No.:** **US D699,493 S**

(45) **Date of Patent:** **\*\* Feb. 18, 2014**

(54) **CHAIR**

(71) Applicant: **Maximillian Kac-Yuglich**, Houston, TX  
(US)

(72) Inventor: **Maximillian Kac-Yuglich**, Houston, TX  
(US)

(\*\*) Term: **14 Years**

(21) Appl. No.: **29/454,230**

(22) Filed: **May 8, 2013**

(51) **LOC (10) Cl.** ..... **06-01**

(52) **U.S. Cl.**  
USPC ..... **D6/716**

(58) **Field of Classification Search**  
USPC ..... 297/239, 445.1, 446.1, 452.38, 452.48  
See application file for complete search history.

(56) **References Cited**

**U.S. PATENT DOCUMENTS**

D180,688 S *	7/1957	Jiranek .....	D6/379
D379,563 S *	6/1997	Bally .....	D6/374
D503,288 S *	3/2005	Domack .....	D6/334
D526,499 S *	8/2006	Domack et al. ....	D6/374
D551,871 S *	10/2007	Domack et al. ....	D6/380
D607,226 S *	1/2010	Kubryk .....	D6/380
D629,223 S *	12/2010	Swy .....	D6/374
D637,426 S *	5/2011	Muller .....	D6/716
D655,103 S *	3/2012	Barile .....	D6/374

D658,400 S *	5/2012	Sofield .....	D6/379
D660,611 S *	5/2012	Barile .....	D6/374
D668,881 S *	10/2012	Sofield .....	D6/334
D674,209 S *	1/2013	Muller .....	D6/380

**OTHER PUBLICATIONS**

Eagle Chair, Inc. product catalog, 2007.  
U.S. Appl. No. 29/454,246, filed May 8, 2013, Kac-Yuglich.

\* cited by examiner

*Primary Examiner* — Mimosa De

(74) *Attorney, Agent, or Firm* — Fletcher Yoder P.C.

(57) **CLAIM**

The ornamental design for a chair, substantially as shown and described.

**DESCRIPTION**

FIG. 1 is a front perspective view of a chair, in which the phantom lines illustrate a seat bottom cushion and a rear seat back cushion;

FIG. 2 is a back perspective view of the chair;

FIG. 3 is a front elevation view of the chair;

FIG. 4 is a left side elevation view of the chair, the right side elevation view being a mirror image of the left side elevation view being shown;

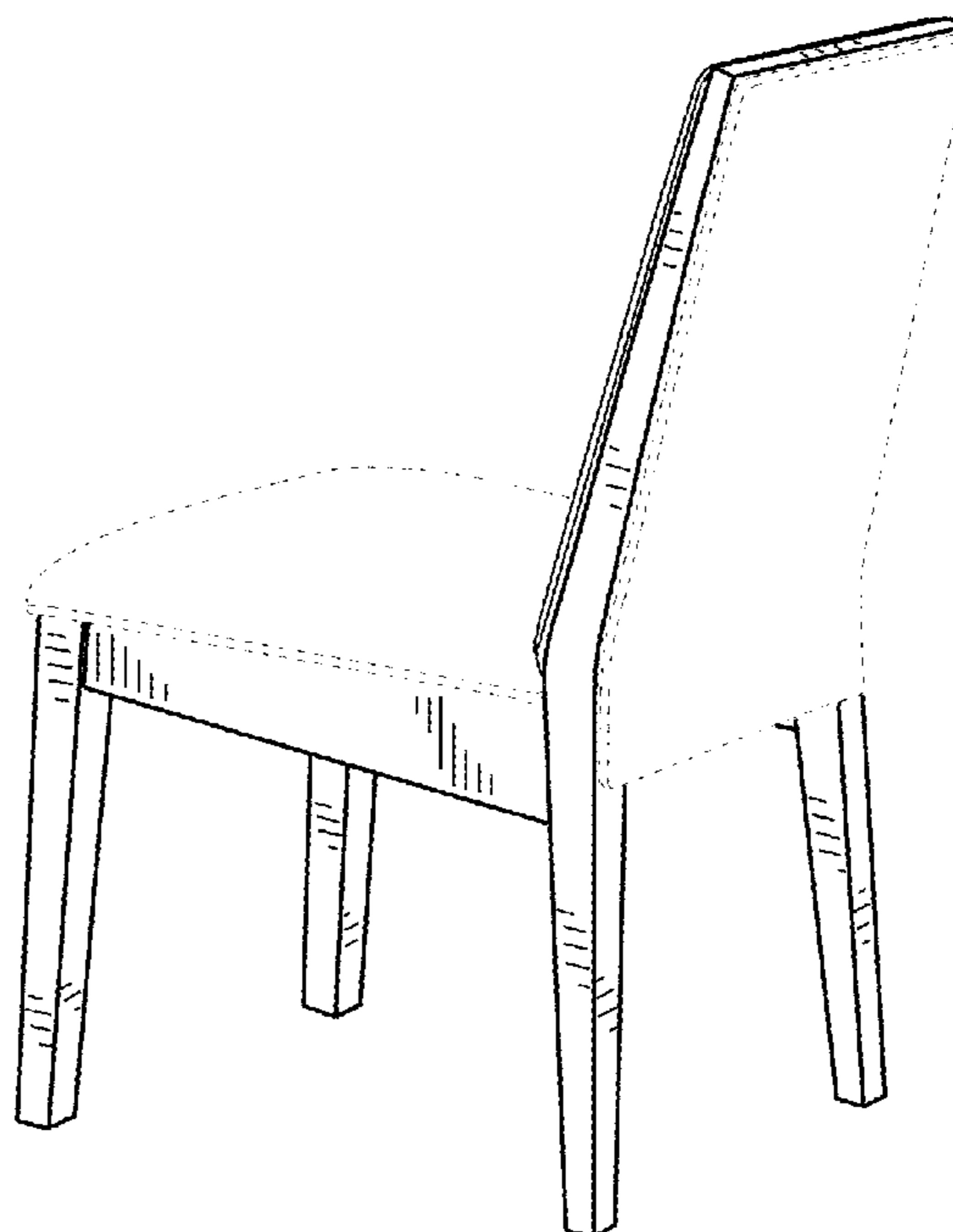
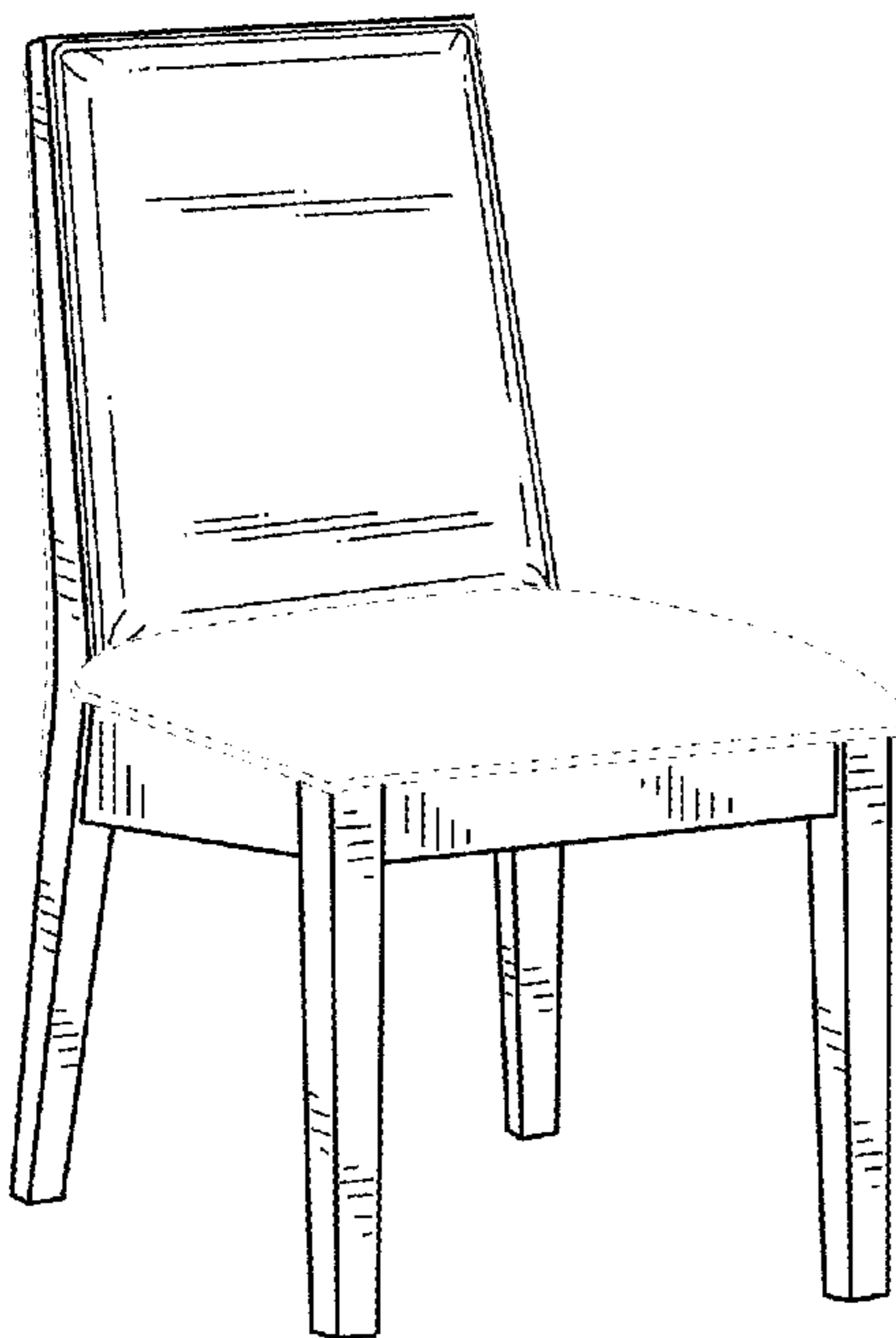
FIG. 5 is a back elevation view of the chair;

FIG. 6 is a top view of the chair; and,

FIG. 7 is a bottom view of the chair.

Phantom lining, where utilized, is for illustrative purposes only, and form no part of the claimed design.

**1 Claim, 4 Drawing Sheets**



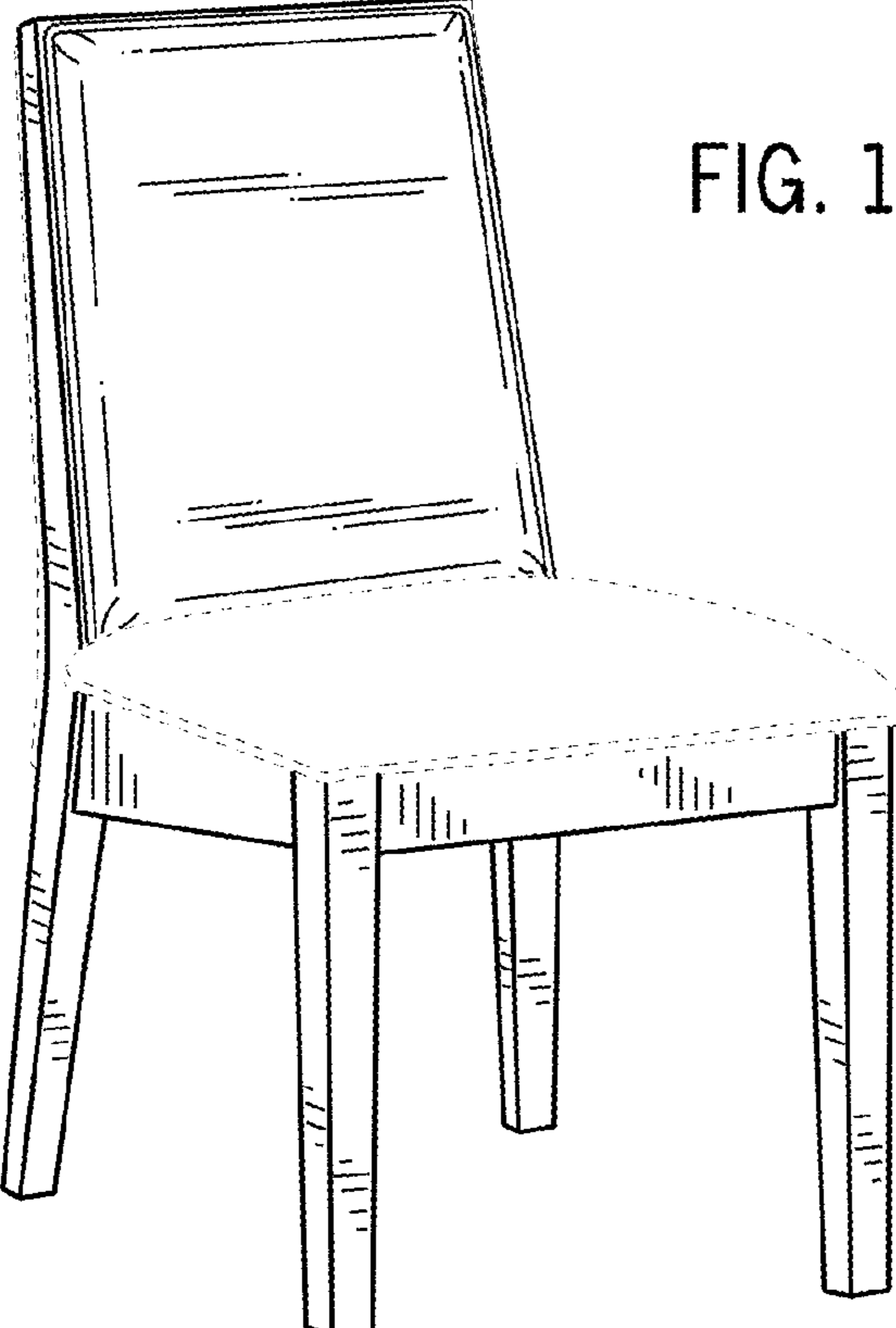


FIG. 1

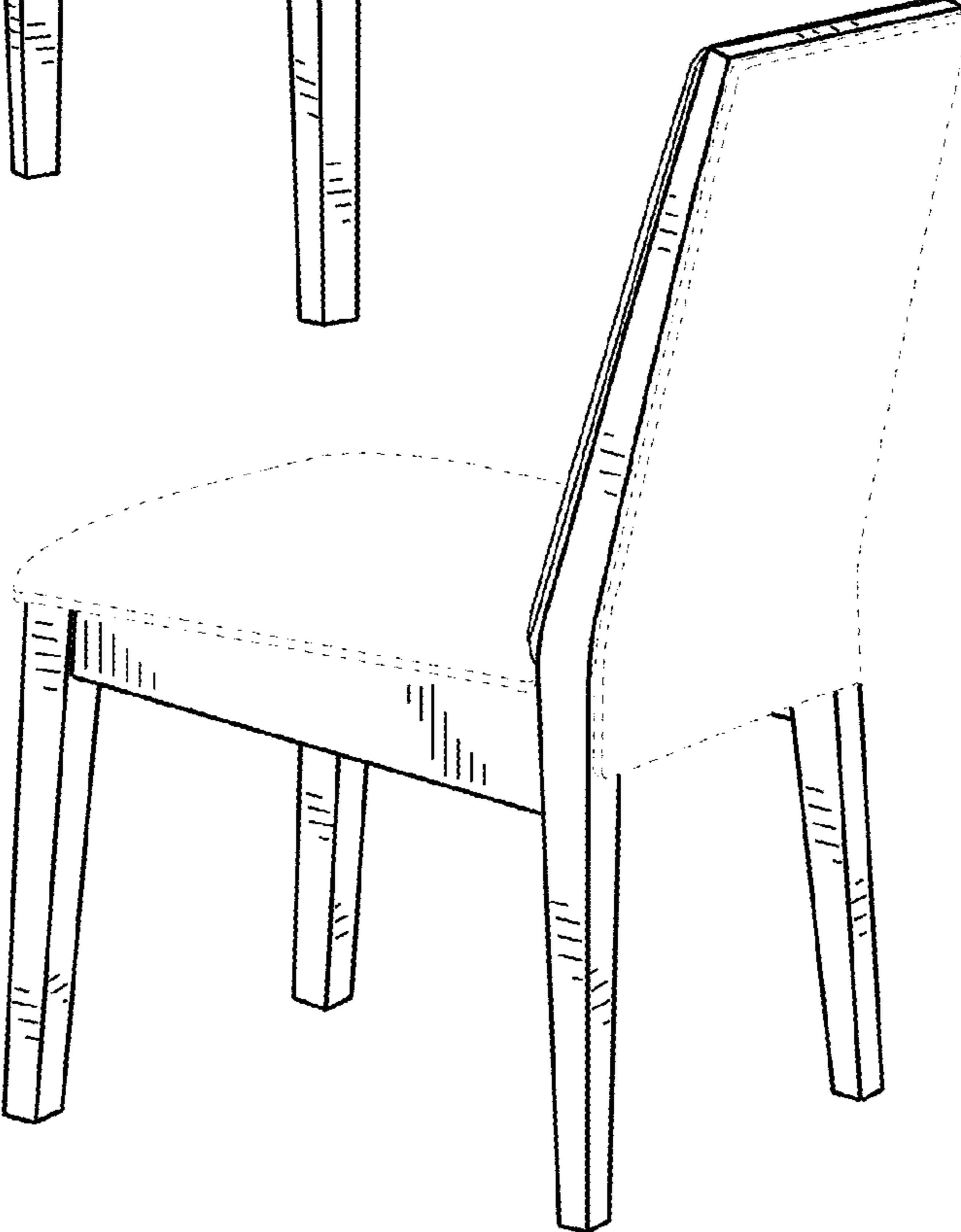


FIG. 2

FIG. 3

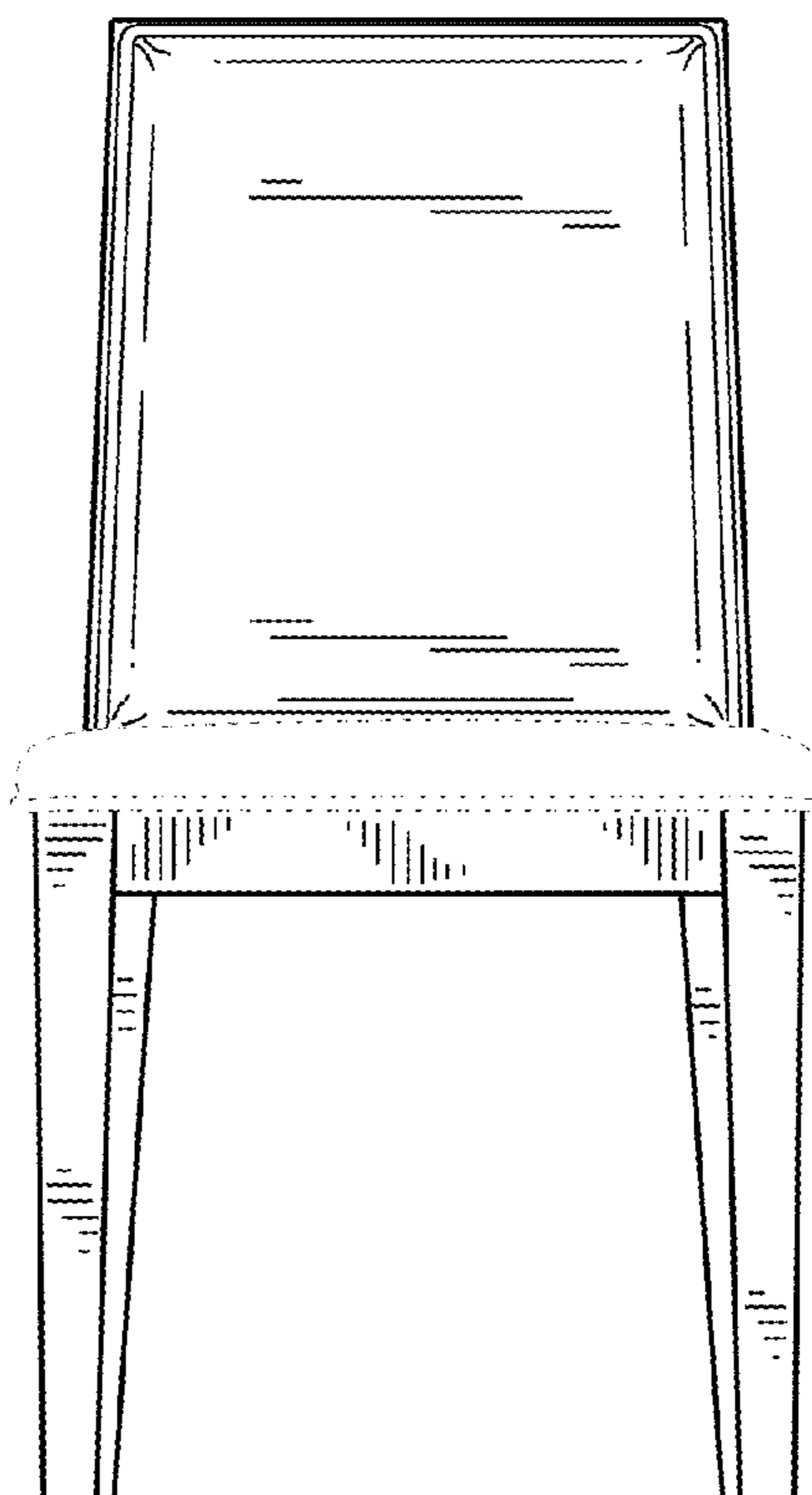


FIG. 4

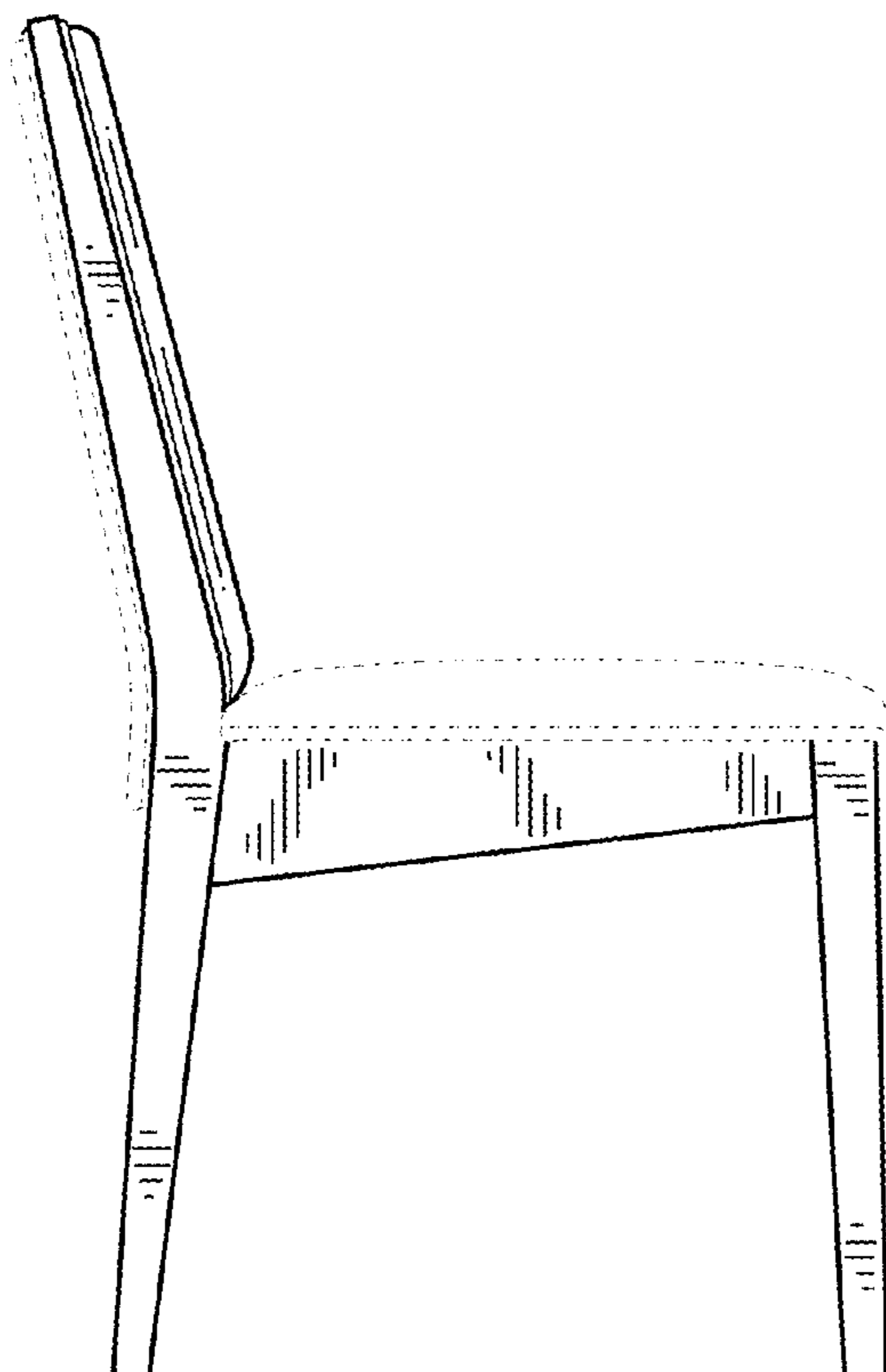


FIG. 5

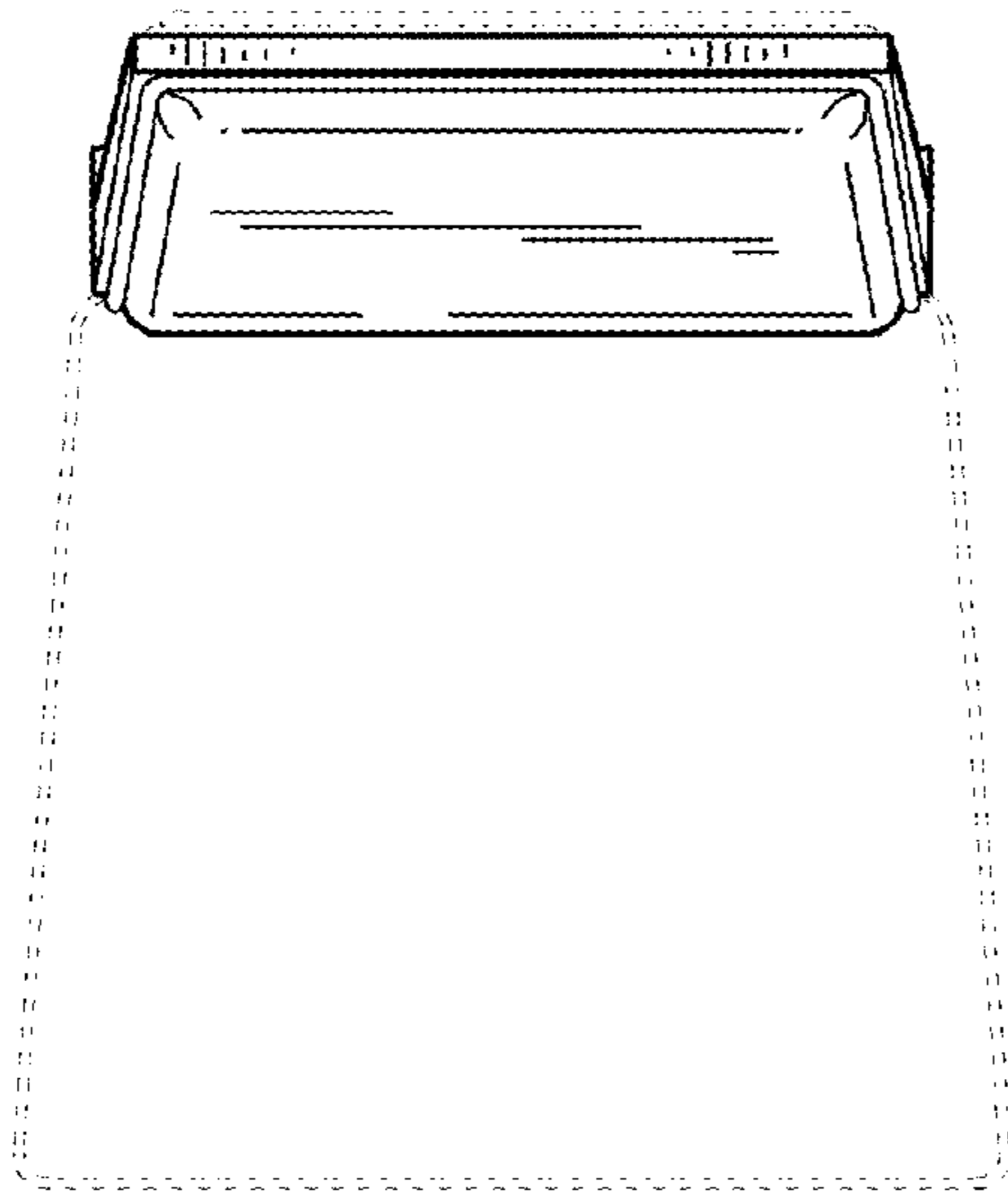
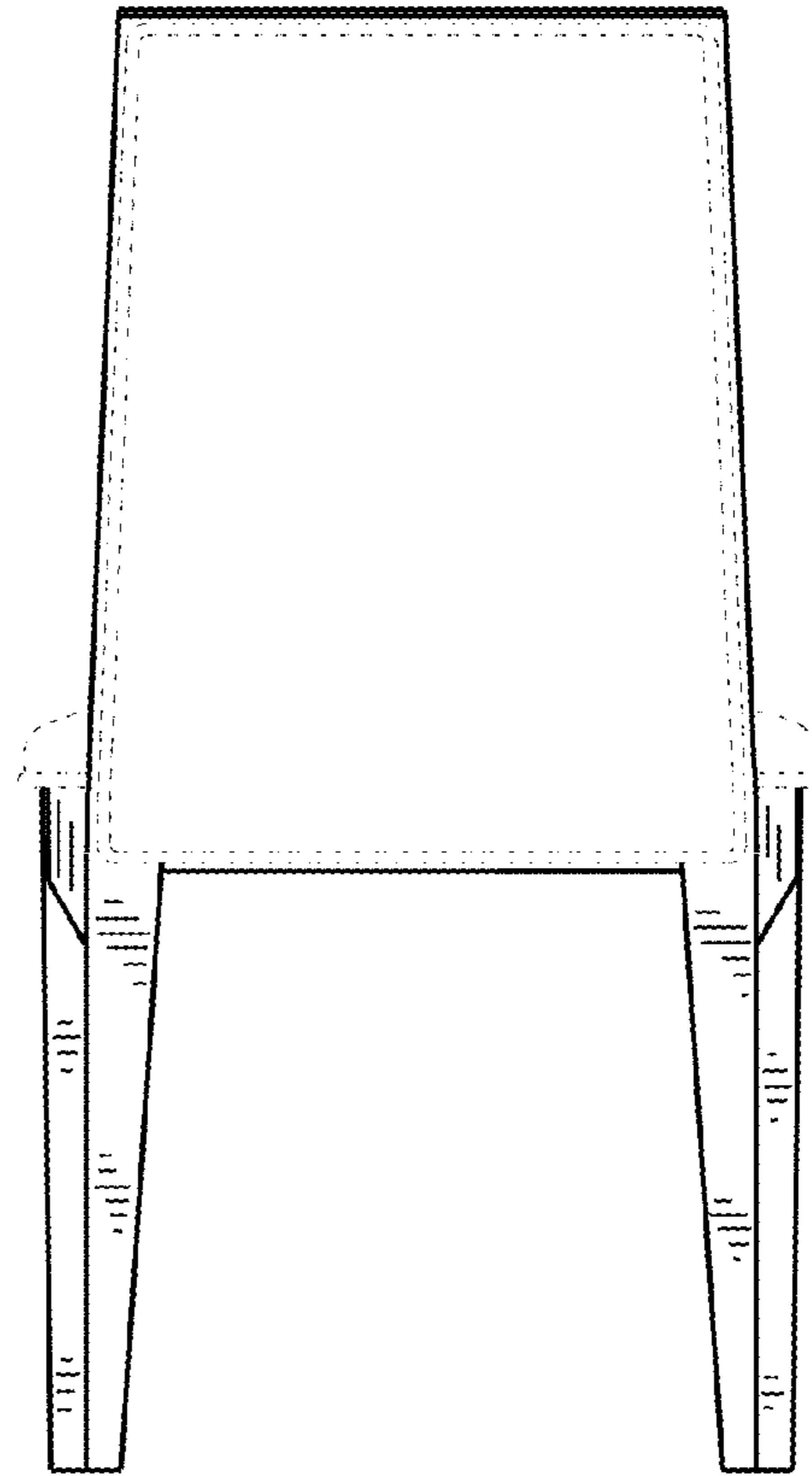


FIG. 6

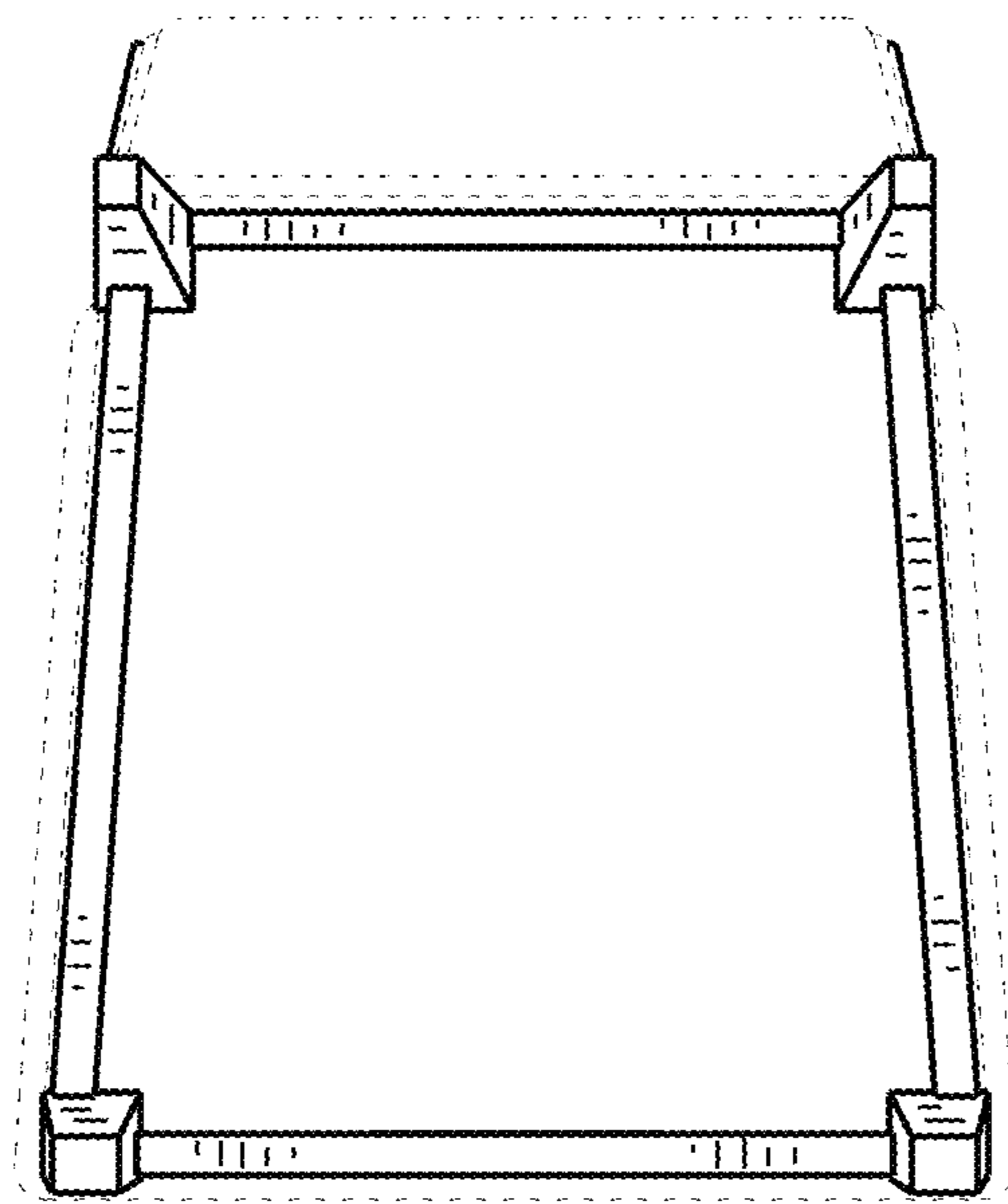


FIG. 7