



US00D699490S

(12) **United States Design Patent**  
**James**

(10) **Patent No.:** **US D699,490 S**  
(45) **Date of Patent:** **\*\* Feb. 18, 2014**

(54) **DRESSER**

(71) Applicant: **Standard Furniture Manufacturing Co., Inc.**, Bay Minette, AL (US)  
(72) Inventor: **Gary W James**, Dove Canyon, CA (US)  
(73) Assignee: **Standard Furniture Manufacturing Co., Inc.**, Bay Minette, AL (US)

(\*\*) Term: **14 Years**

(21) Appl. No.: **29/467,107**

(22) Filed: **Sep. 16, 2013**

**Related U.S. Application Data**

(63) Continuation of application No. 29/464,164, filed on Aug. 13, 2013.

(51) **LOC (10) CI.** ..... **06-04**

(52) **U.S. Cl.**  
USPC ..... **D6/705.5**

(58) **Field of Classification Search**  
USPC ..... D6/663, 664, 664.1, 668, 668.1, 668.2, D6/669, 671, 671.1, 671.2, 671.3, 671.4, D6/705, 705.1, 705.2, 705.5; 312/114, 312/117, 138.1, 204, 224, 257.1, 330.1, 312/348.4

See application file for complete search history.

(56) **References Cited**

**U.S. PATENT DOCUMENTS**

D195,562 S \* 7/1963 Spencer ..... D6/705.5  
D440,073 S \* 4/2001 Cain ..... D6/668.2  
D450,475 S \* 11/2001 Vaaler ..... D6/668.2

D469,982 S \* 2/2003 Warren et al. .... D6/668.2  
D488,640 S \* 4/2004 Domack ..... D6/671.1  
D505,569 S \* 5/2005 Mohundro ..... D6/671.1  
D507,430 S \* 7/2005 Risdon et al. .... D6/668.2  
D508,794 S \* 8/2005 Peterson et al. .... D6/668.2  
D547,568 S \* 7/2007 Mohundro ..... D6/668.2  
D549,988 S \* 9/2007 Domack et al. .... D6/668.2  
D557,039 S \* 12/2007 Domack et al. .... D6/671.1  
D564,785 S \* 3/2008 Schmitt ..... D6/668.2  
D572,501 S \* 7/2008 Domack et al. .... D6/668.2

\* cited by examiner

*Primary Examiner* — Mimososa De

(57) **CLAIM**

I claim the ornamental design for a dresser, as shown and described.

**DESCRIPTION**

FIG. 1 is a perspective view of a dresser illustrating the claimed design;

FIG. 2 is a front side view of the design of the dresser shown in FIG. 1;

FIG. 3 is a back side view of the design of the dresser shown in FIG. 1;

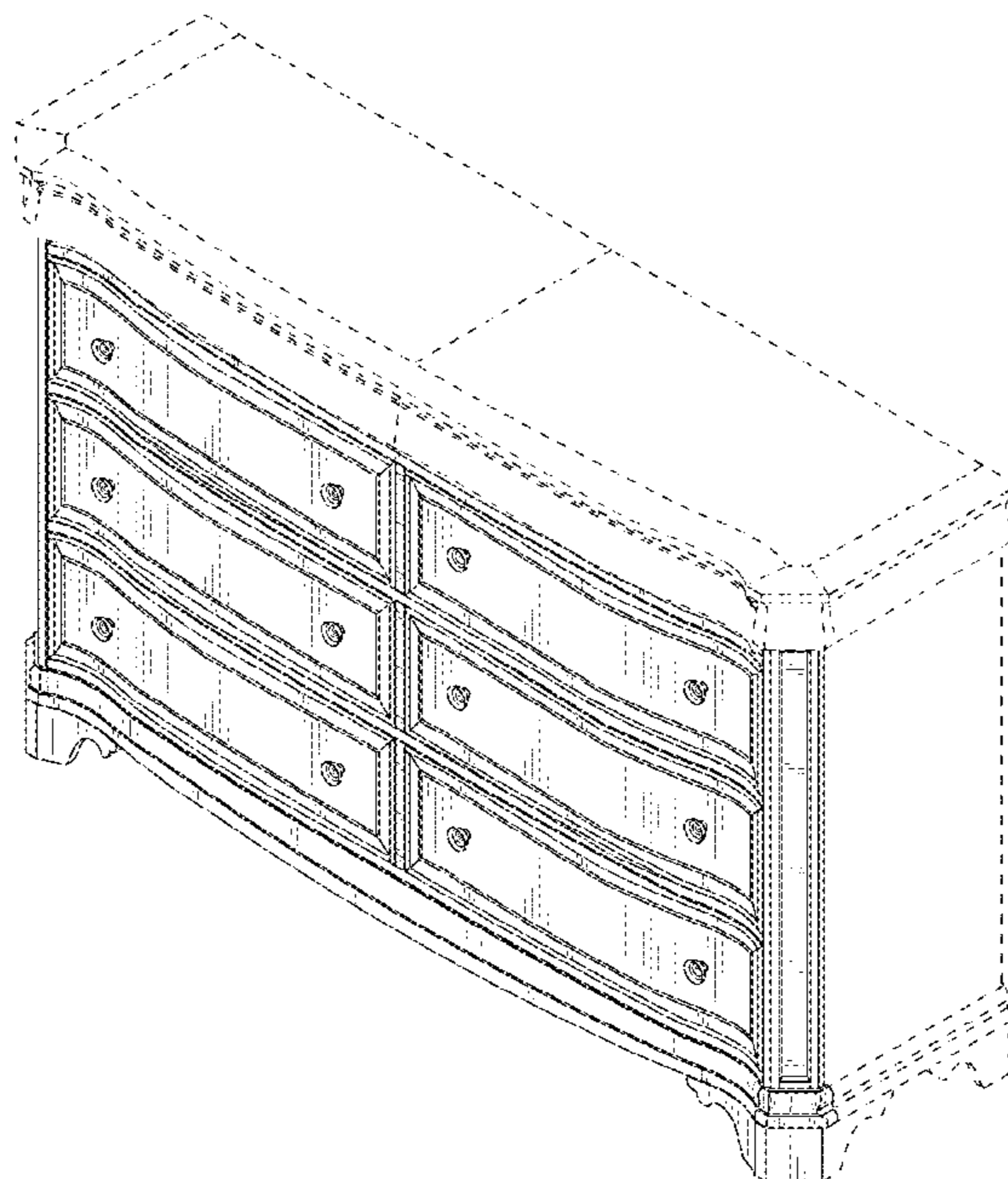
FIG. 4 is a left side view of the design of the dresser shown in FIG. 1; and,

FIG. 5 is a right side view of the design of the dresser shown in FIG. 1.

The bottom and top of the dresser, not shown, form no part of the claimed design.

The broken lines in the drawings are for illustrative purposes only and form no part of the claimed design.

**1 Claim, 5 Drawing Sheets**



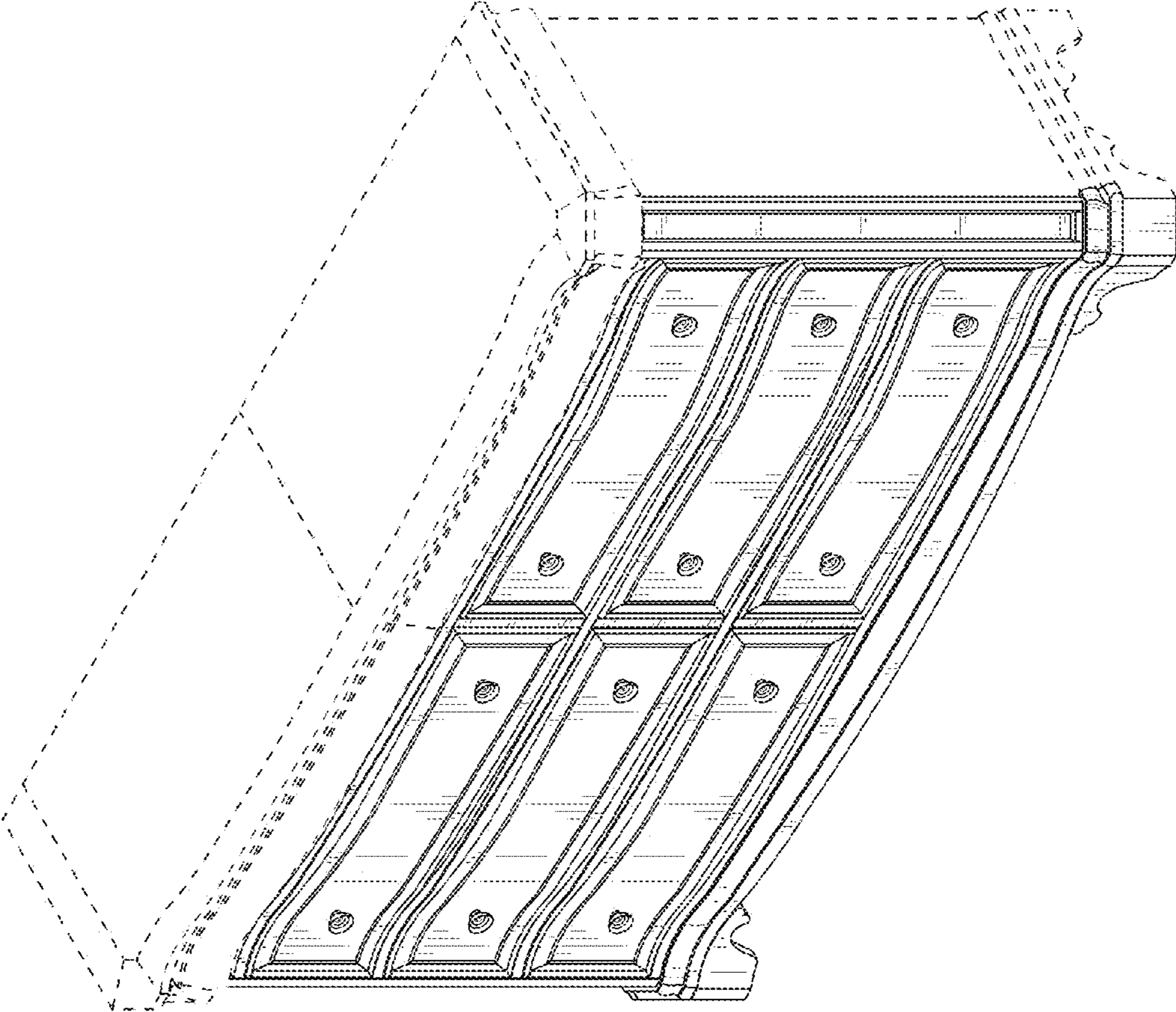


FIG. 1



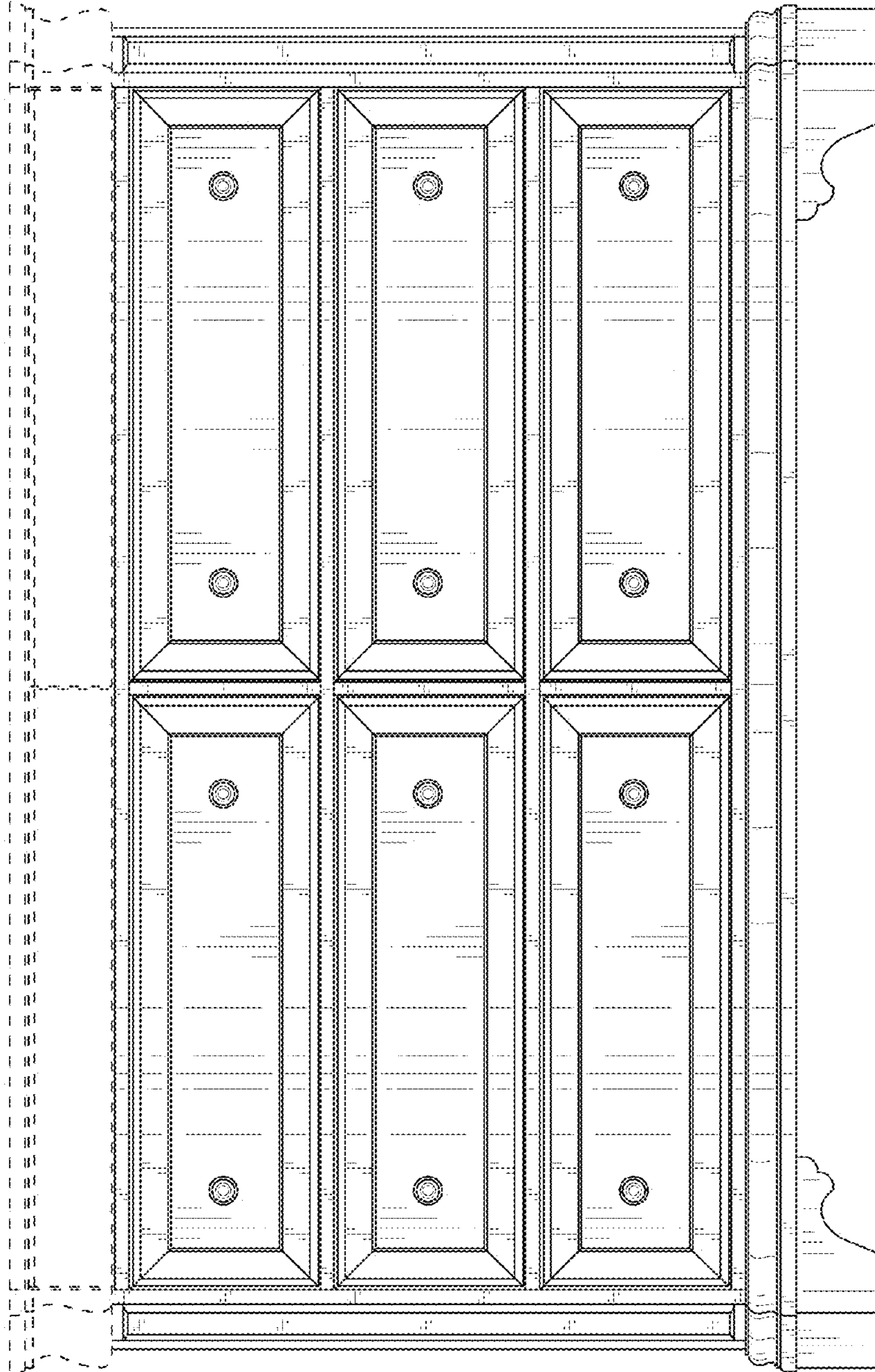
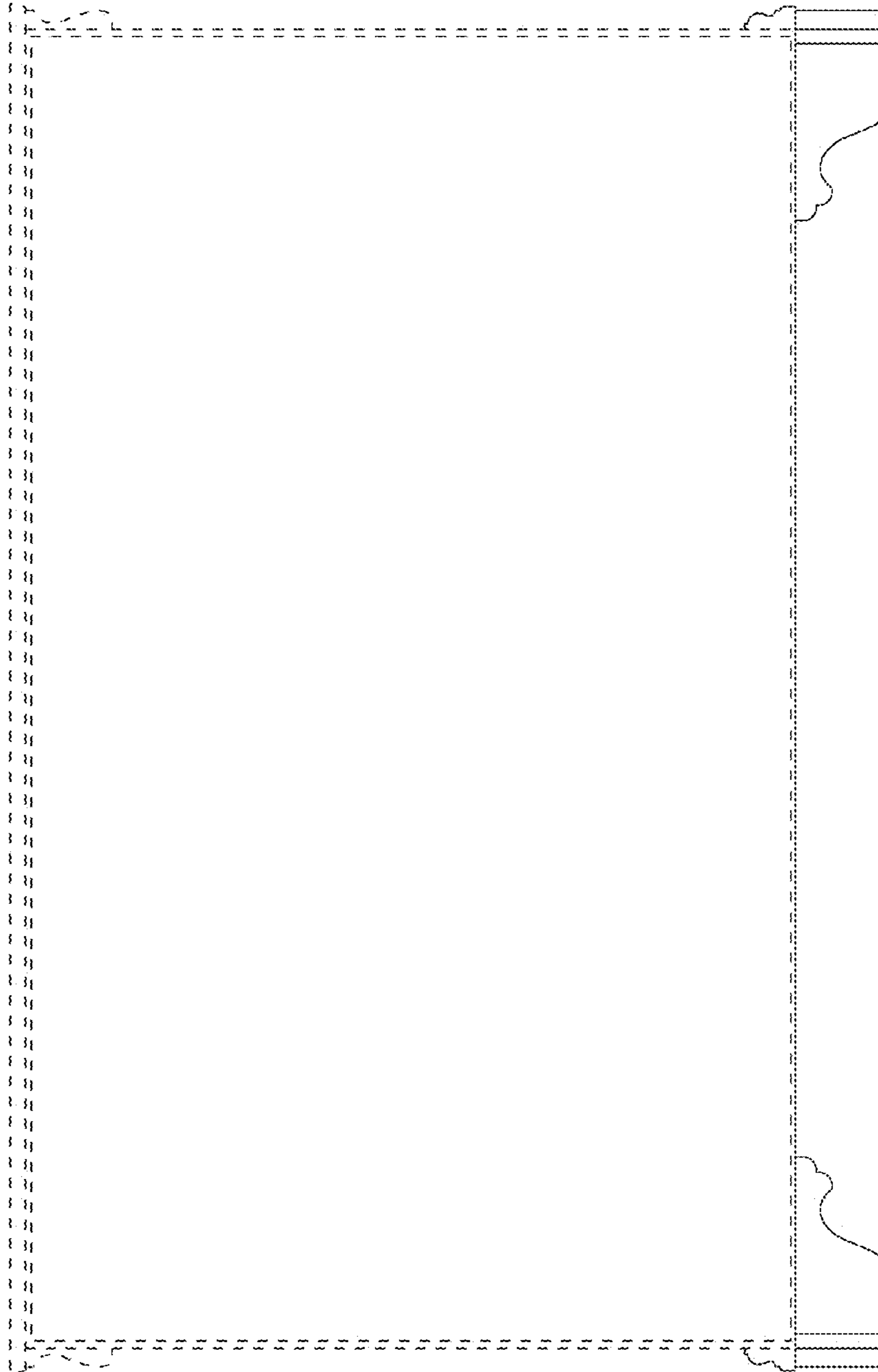
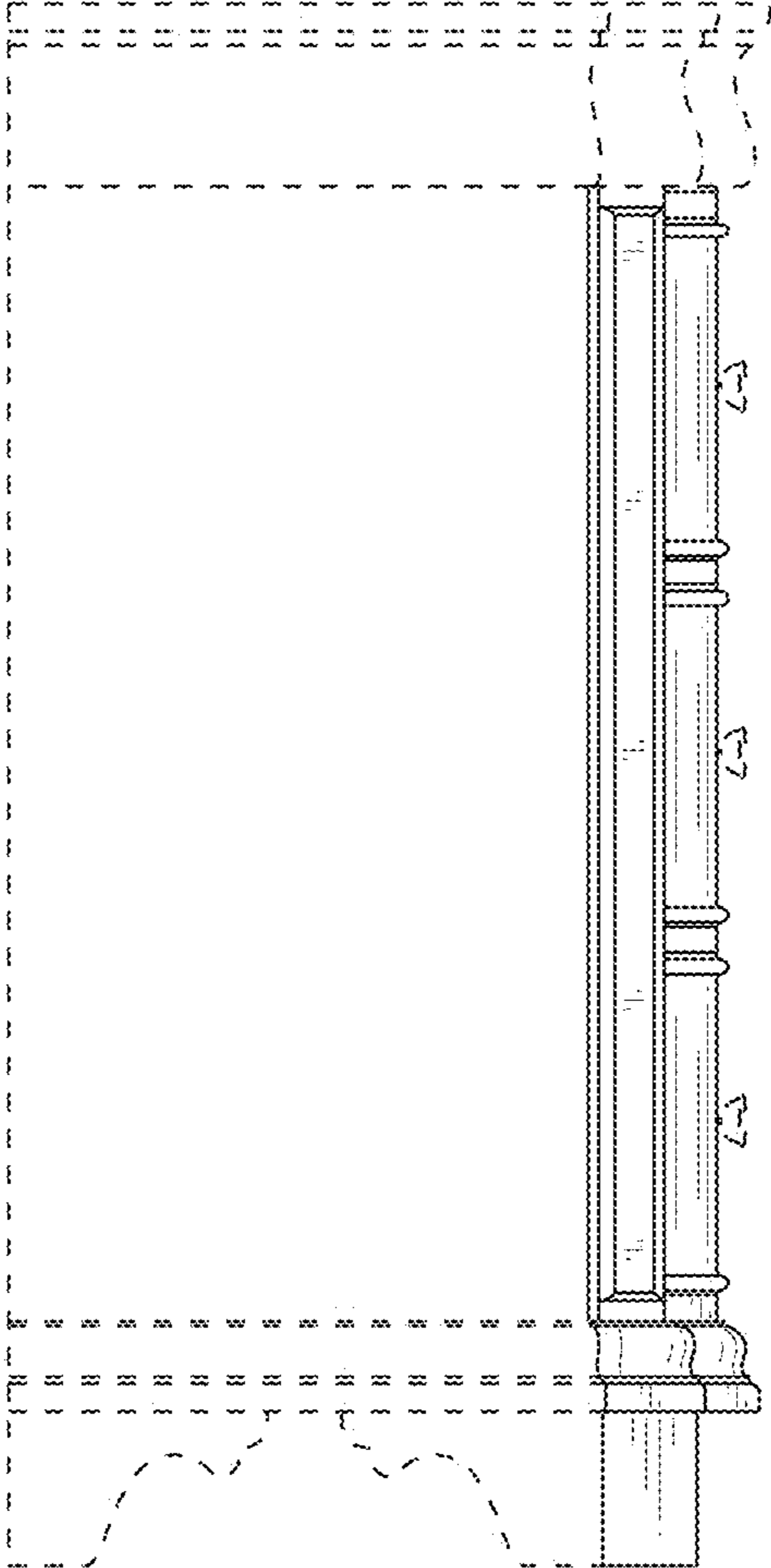


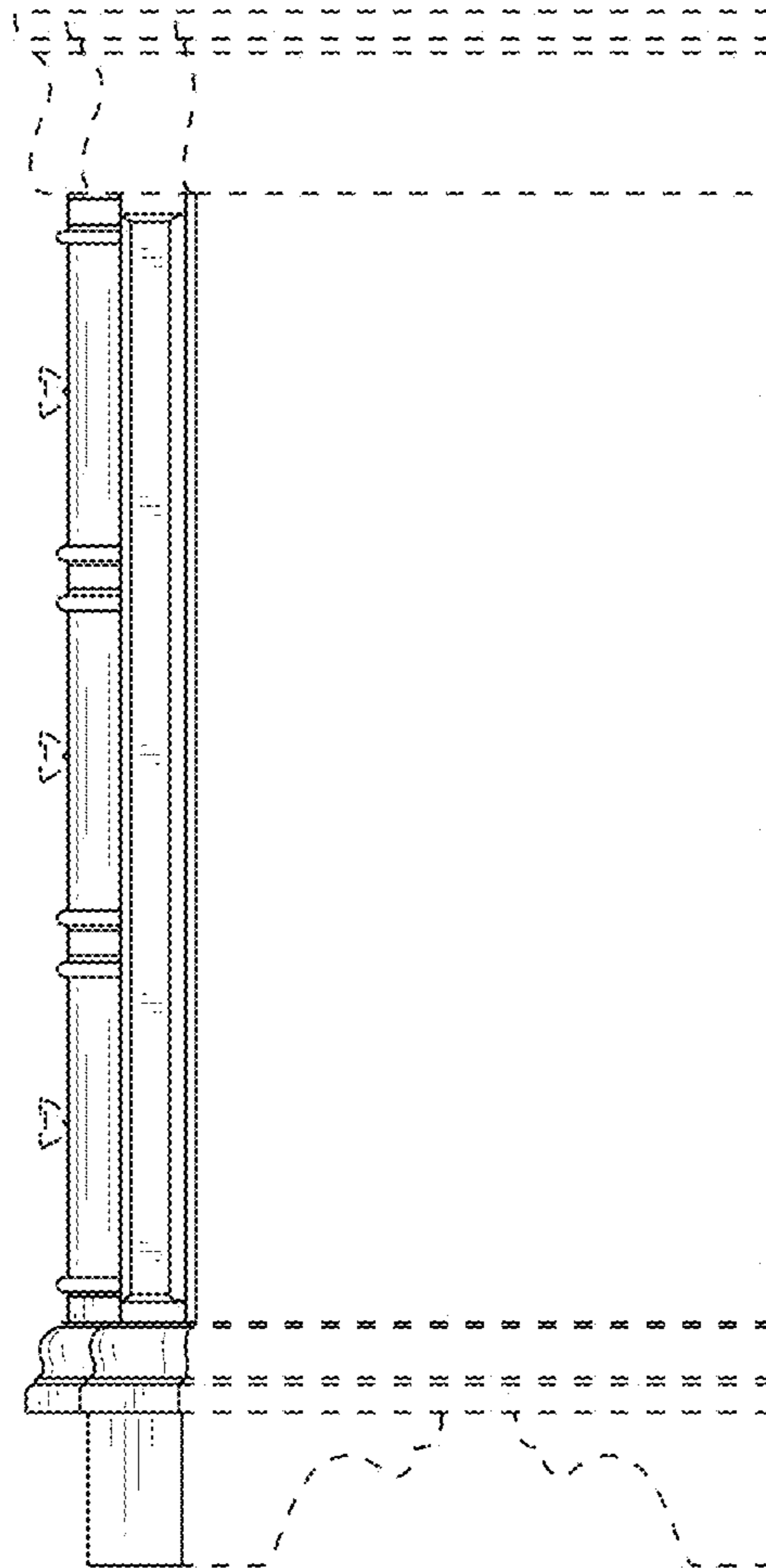
FIG. 2



**FIG. 3**



**FIG. 4**



**FIG. 5**