



US00D699489S

(12) **United States Design Patent**
Johnson et al.

(10) **Patent No.:** **US D699,489 S**

(45) **Date of Patent:** **** Feb. 18, 2014**

- (54) **DISPLAY FIXTURE**
- (71) Applicant: **Target Brands, Inc.**, Minneapolis, MN (US)
- (72) Inventors: **Jason W. Johnson**, Wayzata, MN (US);
Erin L. Zobel, Minneapolis, MN (US);
Peter H. Rozes, Southlake, TX (US);
Jeffrey A. Jones, Southlake, TX (US)
- (73) Assignee: **Target Brands, Inc.**, Minneapolis, MN (US)
- (**) Term: **14 Years**
- (21) Appl. No.: **29/449,670**
- (22) Filed: **Mar. 15, 2013**

- 1,260,610 A 3/1918 Weed
- D110,622 S * 7/1938 Lowry D25/119
- 3,450,268 A 6/1969 Sakamoto
- D228,992 S * 11/1973 Ramsey D6/513
- 3,889,816 A 6/1975 Herryman
- 4,325,484 A 4/1982 Berry
- D272,547 S * 2/1984 Gordon D19/91
- D288,966 S * 3/1987 Gordon et al. D25/119
- D311,657 S * 10/1990 Pate D6/574
- 5,005,710 A 4/1991 Hofer
- 5,251,766 A 10/1993 Barry

(Continued)

OTHER PUBLICATIONS

Richmond Cookshop, "Wusthof Knife Block 7278," http://www.richmondcookshop.co.uk/product_info.php?products_id=4856, 1 page, at least as early as April 2012.

(Continued)

Primary Examiner — Kelley Donnelly

(74) *Attorney, Agent, or Firm* — Leanne Taveggia Farrell; Westman, Champlin & Koehler, P.A.

Related U.S. Application Data

- (63) Continuation of application No. 13/542,859, filed on Jul. 6, 2012.
- (51) **LOC (10) Cl.** **06-06**
- (52) **U.S. Cl.**
USPC **D6/705.5**
- (58) **Field of Classification Search**
USPC D6/449-450, 491-492, 511, 553, 561,
D6/567, 574, 660-661, 662.1, 671.1,
D6/672-675, 705, 705.5; 211/42-50,
211/90.01, 133.1, 186-189; 312/50,
312/107-109, 117-119, 194, 198, 204-209,
312/224-234, 242, 245, 278-279
See application file for complete search history.

(57) **CLAIM**

The ornamental design for a display fixture, as shown and described.

DESCRIPTION

FIG. 1 is a bottom perspective view of a display fixture; FIG. 2 is a top view thereof; FIG. 3 is a bottom view thereof; FIG. 4 is a back view thereof; FIG. 5 is a front view thereof; and, FIG. 6 is an enlarged section view thereof taken through the line indicated in FIG. 5.

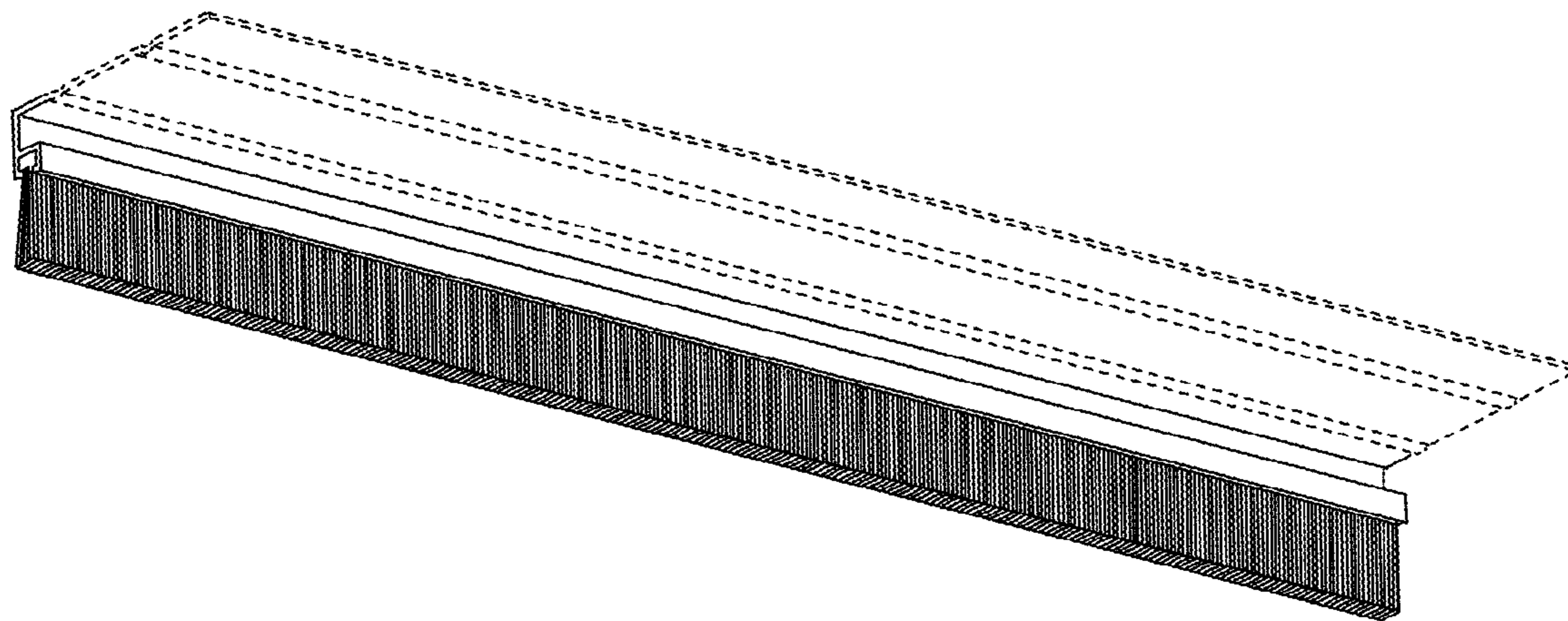
The broken lines shown in the drawings are included for purposes of illustrating portions of the display fixture and form no part of the claimed design.

(56) **References Cited**

U.S. PATENT DOCUMENTS

- 481,505 A 8/1892 Muir
- 905,737 A * 12/1908 McCombe 108/137

1 Claim, 4 Drawing Sheets



(56)

References Cited

U.S. PATENT DOCUMENTS

D345,268 S * 3/1994 Pate D6/511
D357,407 S * 4/1995 Pate D8/381
5,450,970 A 9/1995 Mitchell
5,493,947 A * 2/1996 Philbeck 84/406
D383,122 S * 9/1997 Parks D14/455
5,738,228 A 4/1998 Bittinger
5,842,566 A 12/1998 White
D490,260 S * 5/2004 Bowen D6/511
D510,220 S * 10/2005 Sandy D6/511
6,983,855 B1 1/2006 Messinger
7,331,475 B2 2/2008 Messinger
D573,369 S * 7/2008 Sparkowski D6/463
D629,215 S * 12/2010 Burkman D6/300
D658,913 S * 5/2012 Troyner et al. D6/511
D659,449 S * 5/2012 Lawson D6/511

D669,837 S * 10/2012 Jimenez et al. D12/400
D674,219 S * 1/2013 Kim D6/702
D674,220 S * 1/2013 Kim D6/702
D674,221 S * 1/2013 Kim D6/702
D676,264 S * 2/2013 Lee D6/717
D677,502 S * 3/2013 Ryan D6/707.22
D685,588 S * 7/2013 Stukenberg et al. D6/657
2007/0029269 A1 2/2007 Parkins
2008/0093316 A1 4/2008 Barron et al.

OTHER PUBLICATIONS

Confidential pending U.S. Appl. No. 13/542,859, filed Jul. 6, 2012, entitled Product Support Brush for Shelving.
Pending U.S. Appl. No. 13/836,330, filed Mar. 15, 2013, entitled Shelf-Style Display Fixture, 27 pages.

* cited by examiner

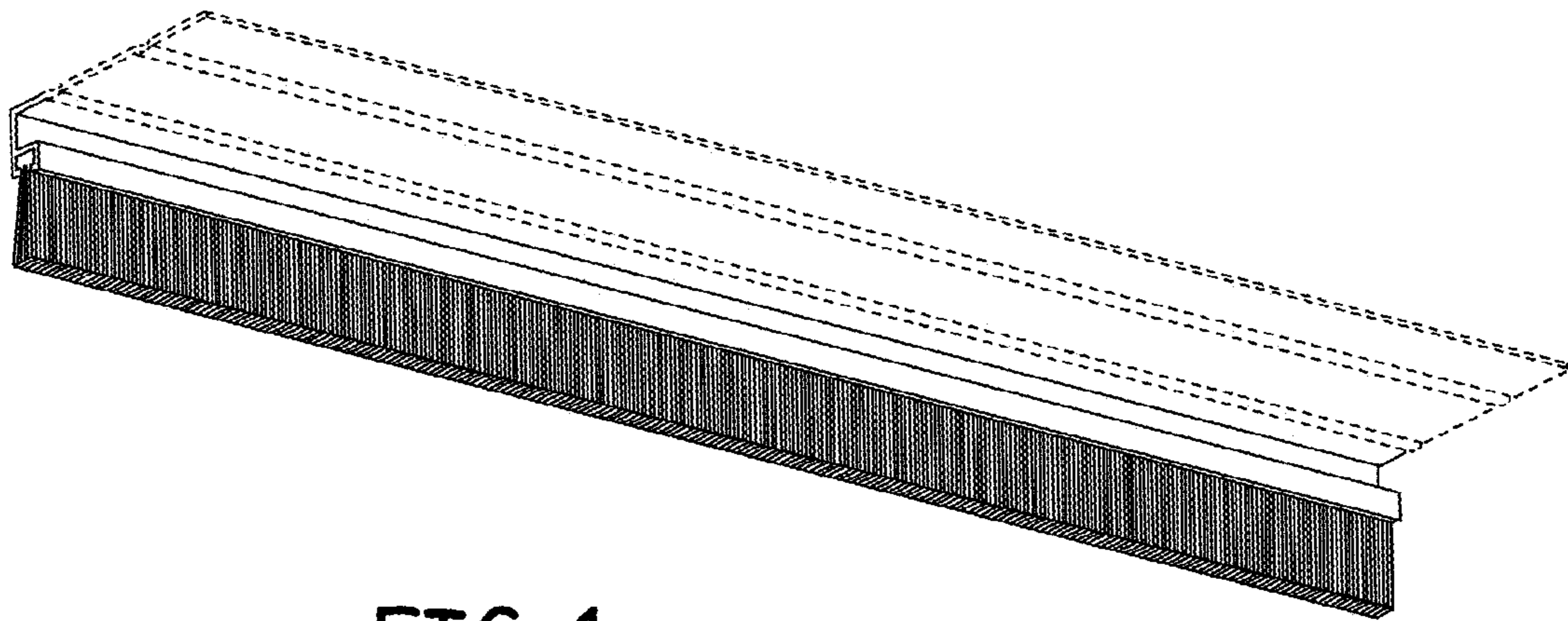


FIG. 1

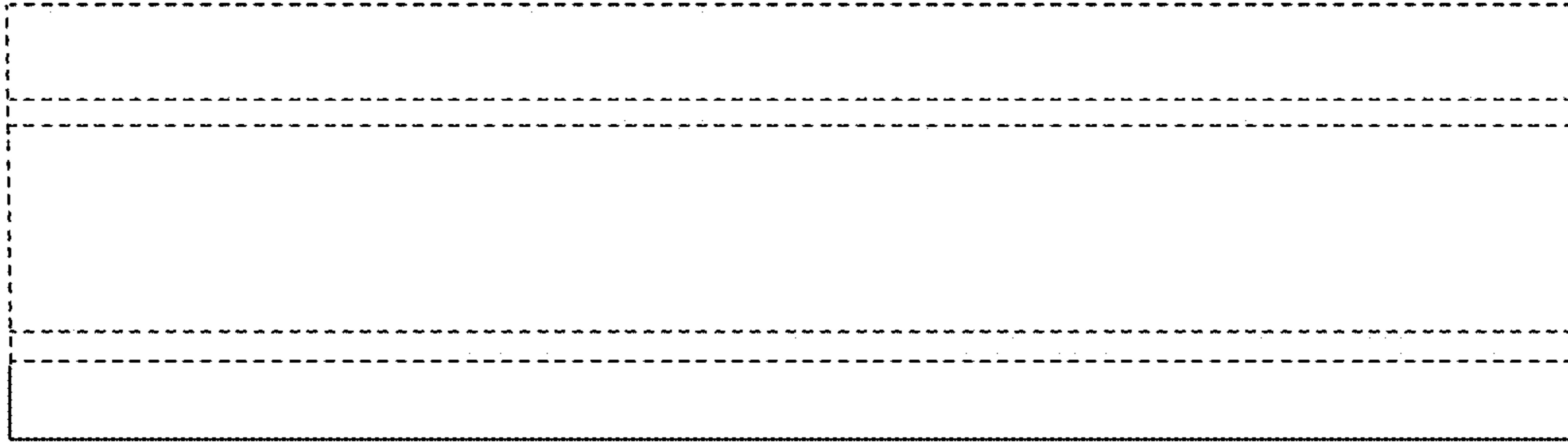


FIG. 2

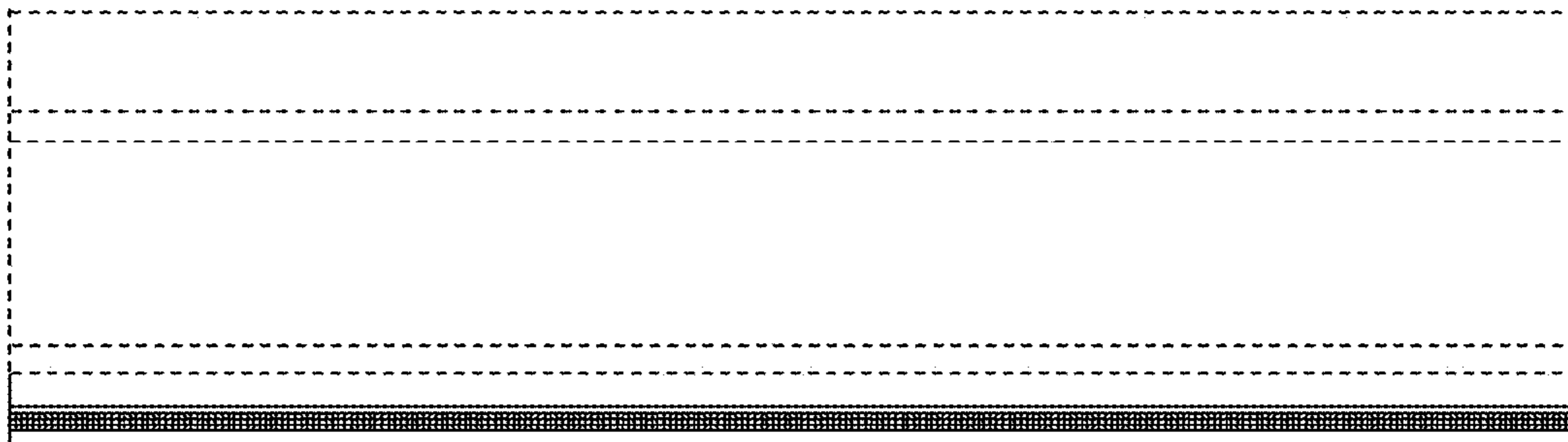


FIG. 3

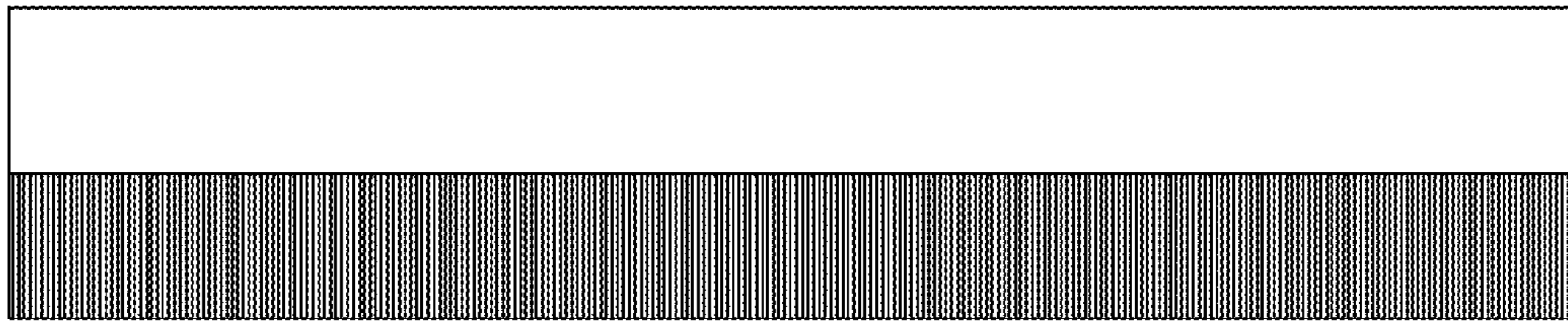


FIG. 4



FIG. 5

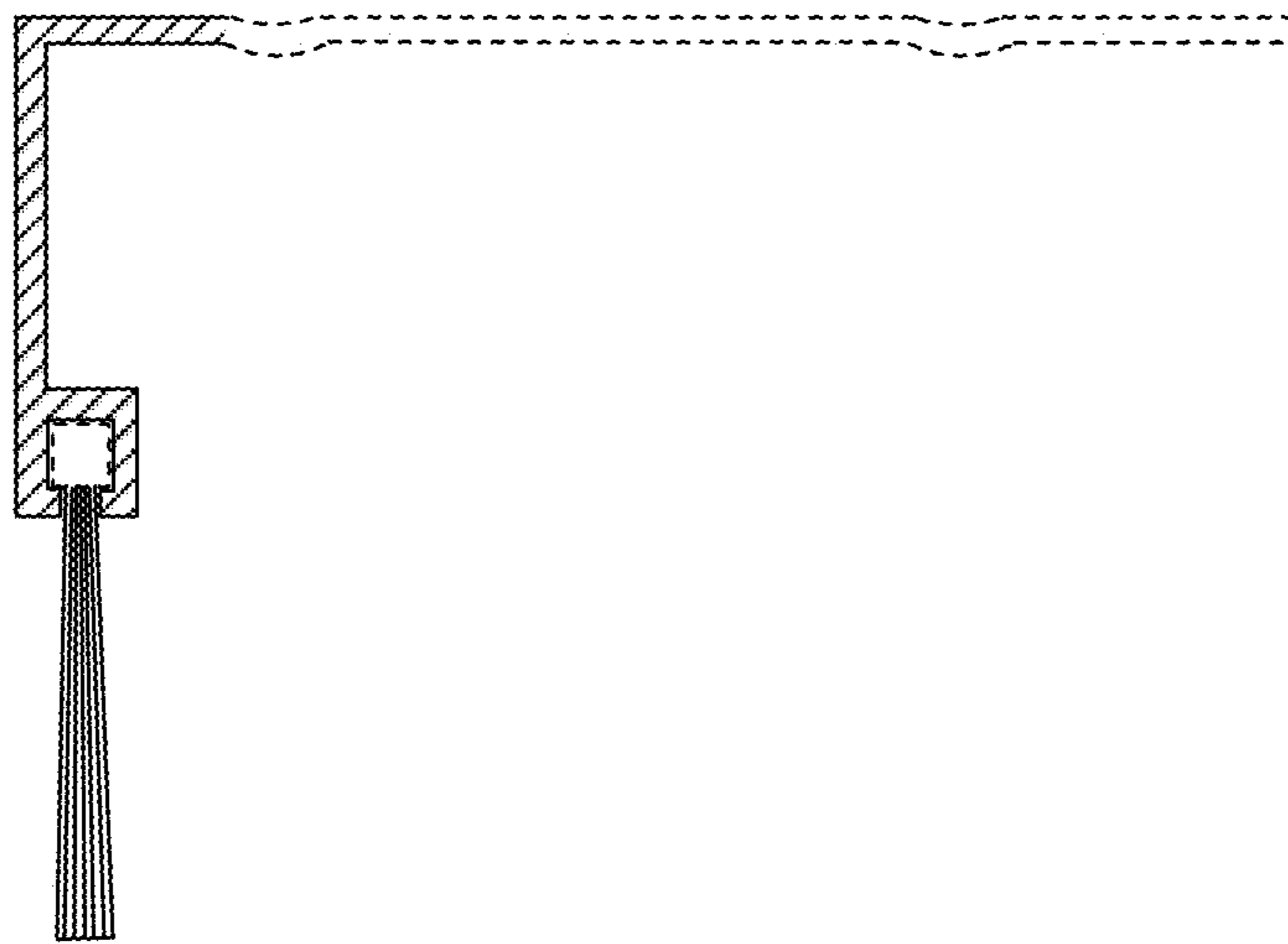


FIG. 6