



US00D699488S

(12) **United States Design Patent**
Lee et al.

(10) **Patent No.:** **US D699,488 S**
(45) **Date of Patent:** **** Feb. 18, 2014**

(54) **SHELF**

(71) Applicant: **Samsung Electronics Co., Ltd.**,
Suwon-si (KR)

(72) Inventors: **Jong Hyub Lee**, Seoul (KR); **Jang-Won Kim**, Seoul (KR); **hyun soo Kim**,
Sungnam-si (KR); **Young min Park**,
Seoul (KR); **Min hyouk Boo**, Seoul
(KR)

(73) Assignee: **Samsung Electronics Co., Ltd.**,
Suwon-si (KR)

(**) Term: **14 Years**

(21) Appl. No.: **29/464,335**

(22) Filed: **Aug. 15, 2013**

(30) **Foreign Application Priority Data**

Feb. 15, 2013 (KR) 30-2013-0008083

(51) **LOC (10) Cl.** **06-06**

(52) **U.S. Cl.**
USPC **D6/705**

(58) **Field of Classification Search**

USPC D6/317, 396, 408, 449-450, 454-469,
D6/510-511, 675-675.1, 705; 211/1, 10,
211/13.1, 27, 44, 50-53, 59.2, 59.3, 70,
211/70.1, 86.01, 119.003, 133.5, 134,
211/181.1, 183-184; 312/348.3

See application file for complete search history.

(56) **References Cited**

U.S. PATENT DOCUMENTS

D245,655 S * 9/1977 Friedrich D6/494
D300,097 S * 3/1989 Cook D6/492
D311,469 S * 10/1990 Miller D6/491

D328,680 S * 8/1992 Zapf D6/511
D435,435 S * 12/2000 Shea D8/363
D453,798 S * 2/2002 Gray D20/43
D477,769 S * 7/2003 Shea D8/363
7,264,212 B2 * 9/2007 Hung 248/282.1
D584,734 S * 1/2009 Chu D14/452
D606,548 S * 12/2009 Sapper D14/452
D616,733 S * 6/2010 Kleinsasser D8/373
D654,503 S * 2/2012 Sapper D14/452
D660,986 S * 5/2012 Meyer et al. D25/128

* cited by examiner

Primary Examiner — Kelley Donnelly

(74) *Attorney, Agent, or Firm* — Ladas & Parry LLP

(57) **CLAIM**

The ornamental design for a shelf, as shown and described.

DESCRIPTION

FIG. 1 is the front perspective view of a shelf showing our new design;

FIG. 2 is a front view thereof;

FIG. 3 is a rear view thereof;

FIG. 4 is a left-side view thereof;

FIG. 5 is a right-side view thereof;

FIG. 6 is a top plan view thereof;

FIG. 7 is a bottom plan view thereof; and,

FIG. 8 illustrates that the shelf is in use in a door of a refrigerator.

The surface treatment of the shelf shown in the figures forms no part of the claimed design, a shelf according to the claimed design may have any surface treatment.

The inventors contemplate that other embodiments of their design may include any part, portion, element or combination of elements of the claimed design.

The broken lines are for the purpose of illustrating the environment of the article only and form no part of the claimed design.

1 Claim, 7 Drawing Sheets

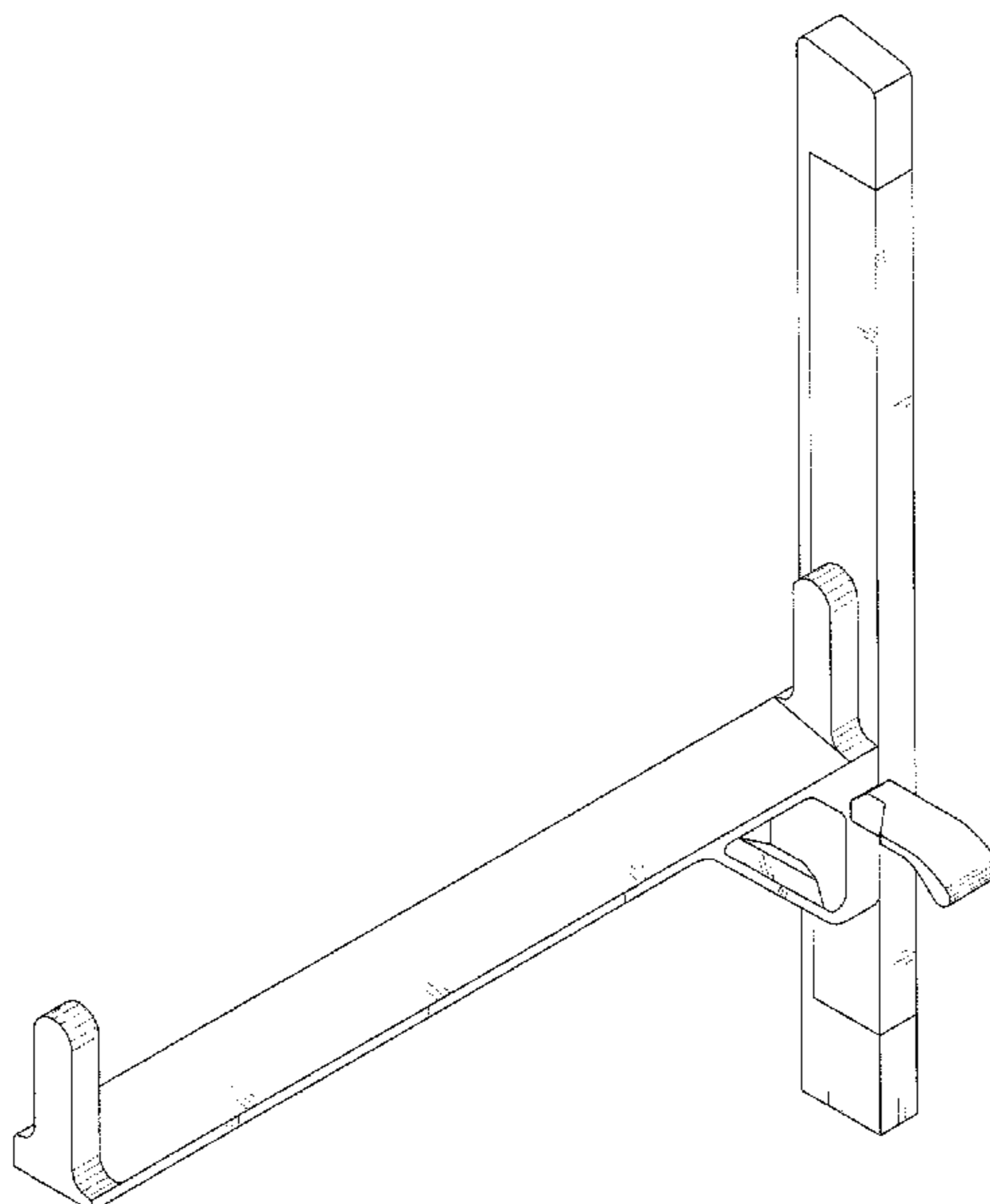


FIG. 1

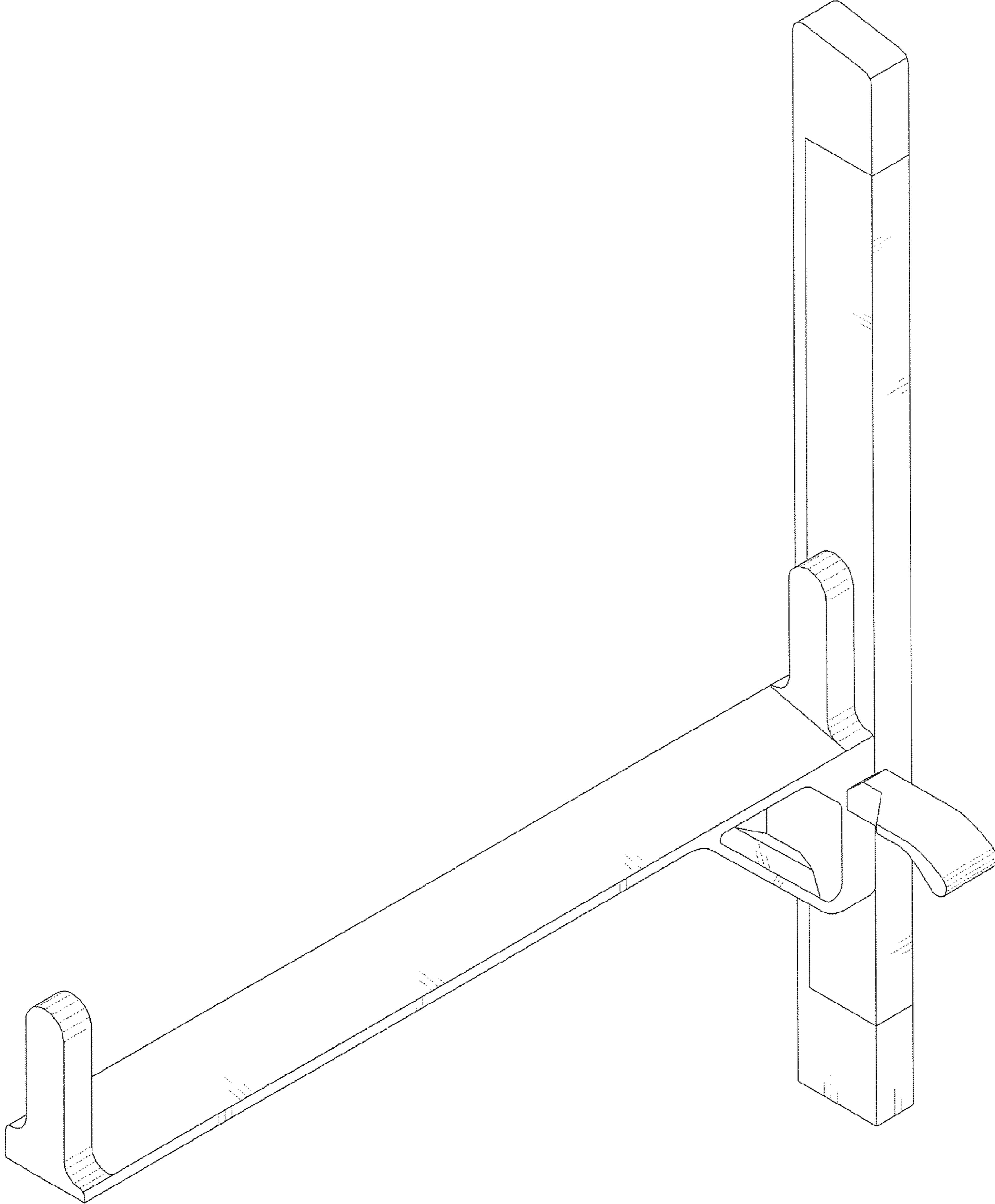


FIG. 2

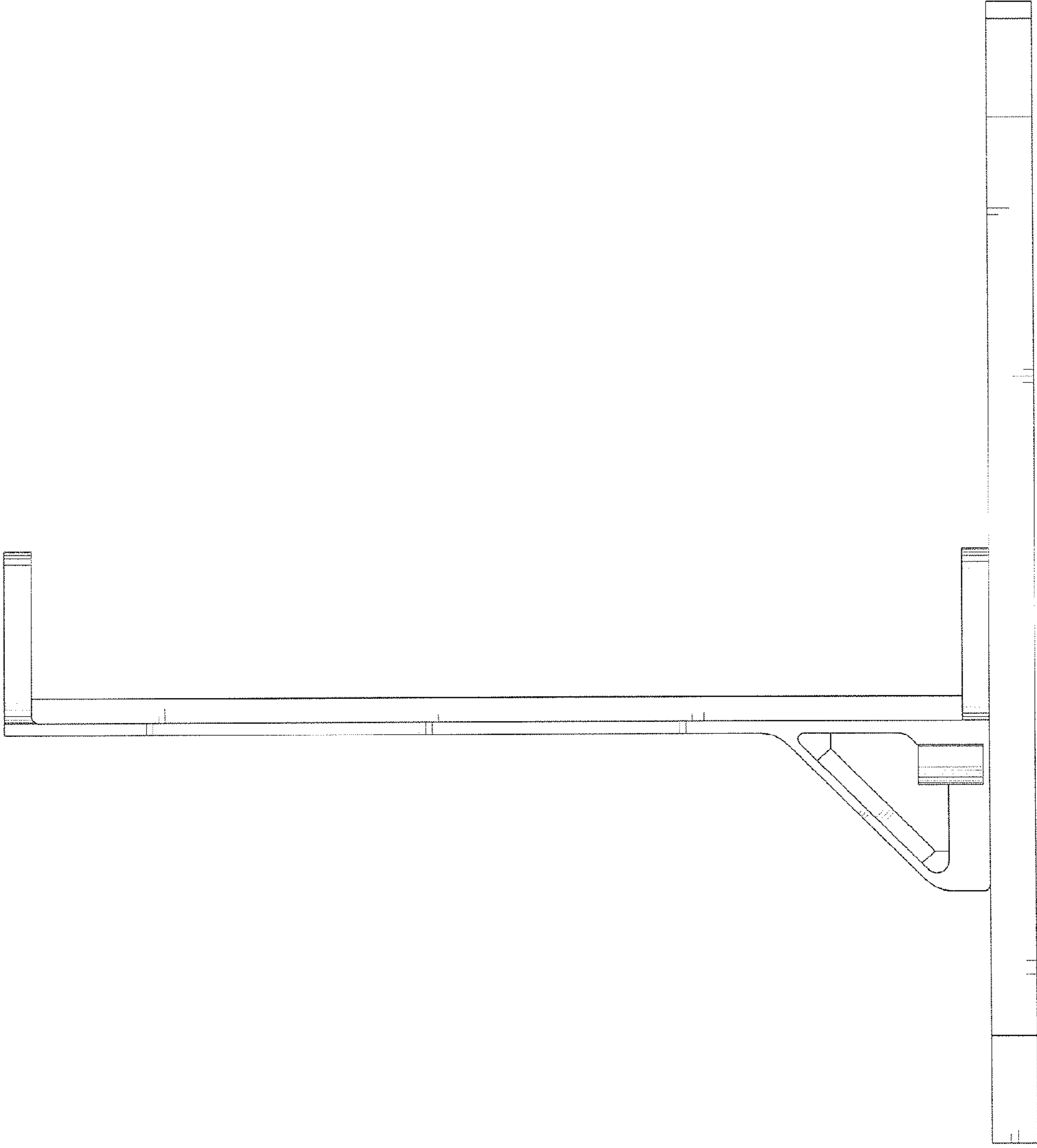


FIG. 3

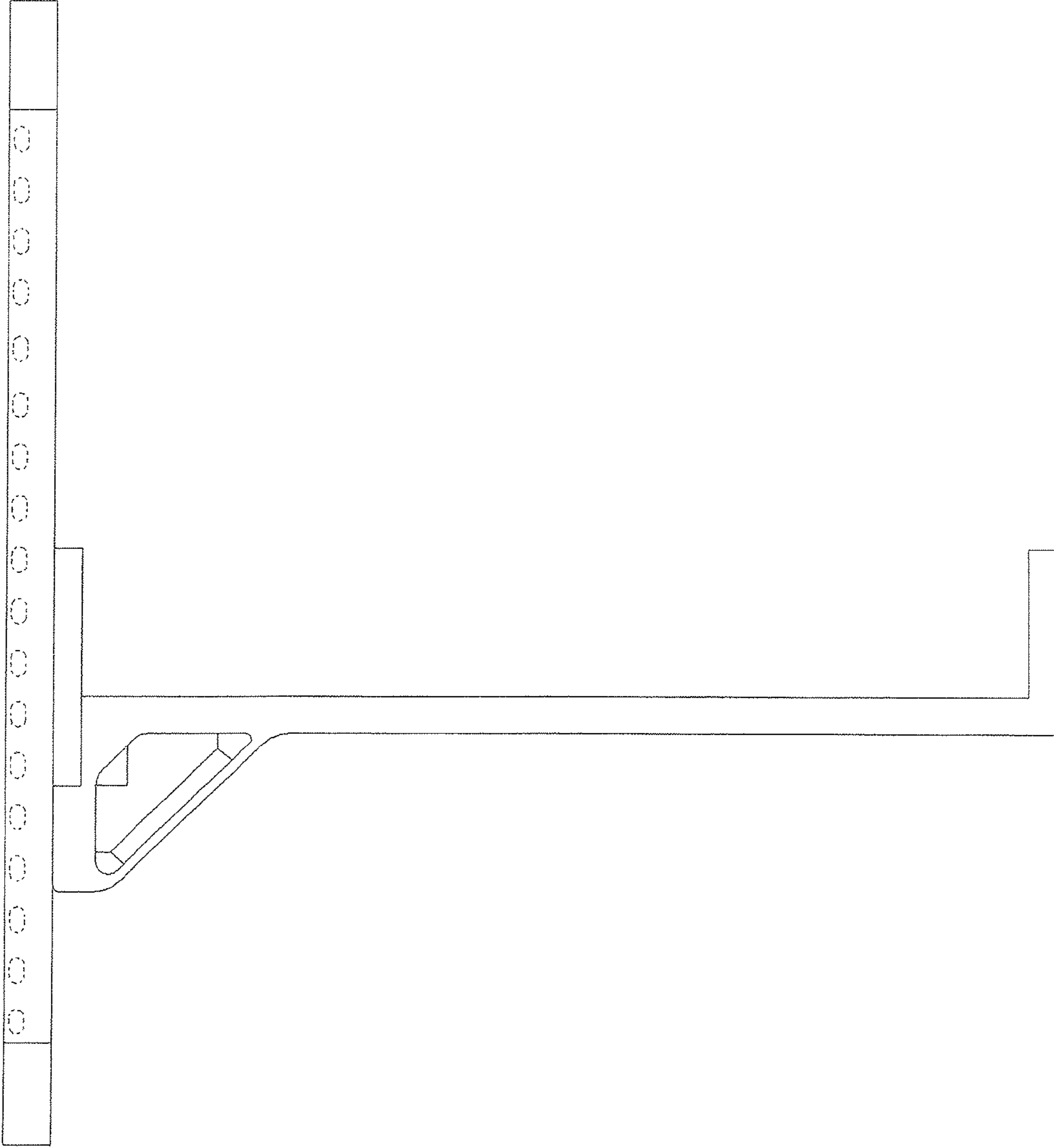


FIG. 4

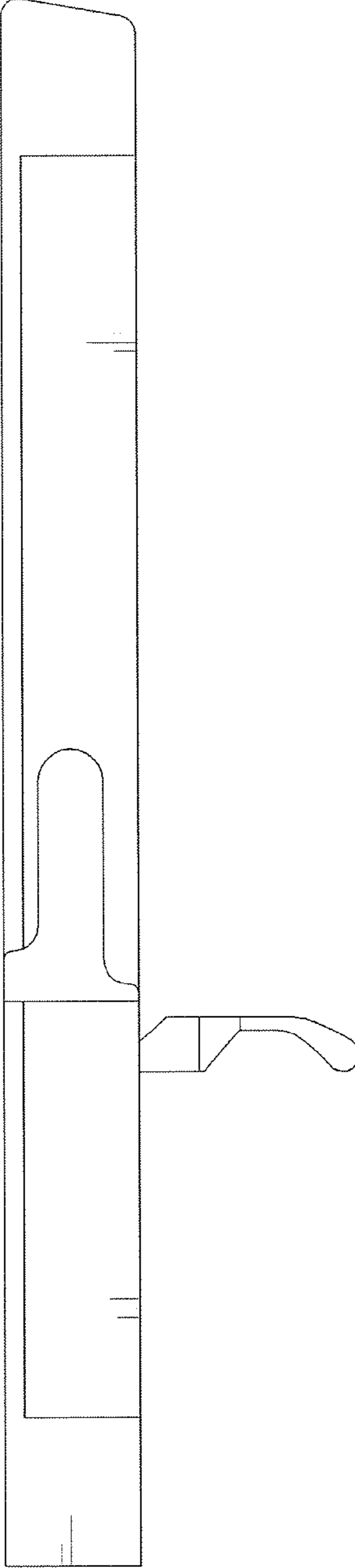


FIG. 5

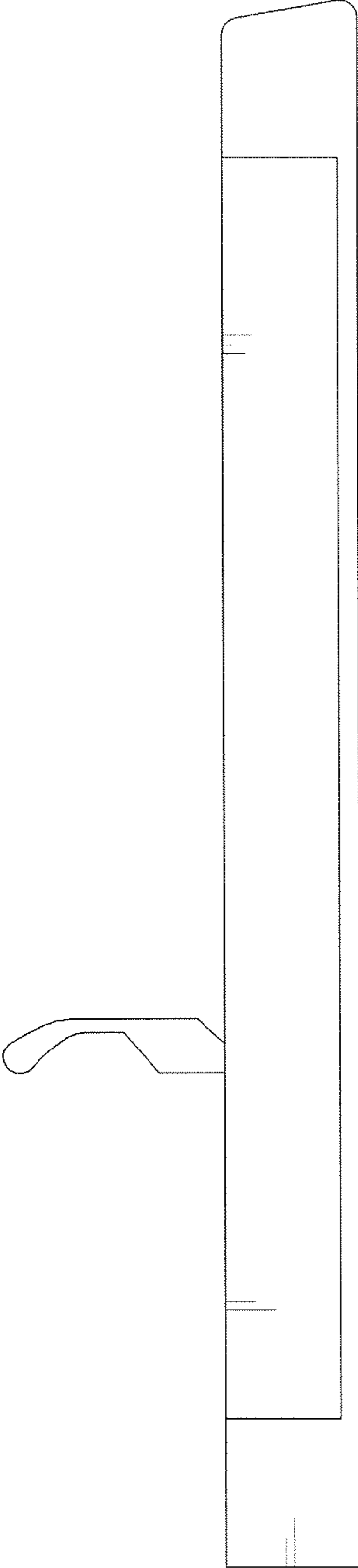


FIG. 6

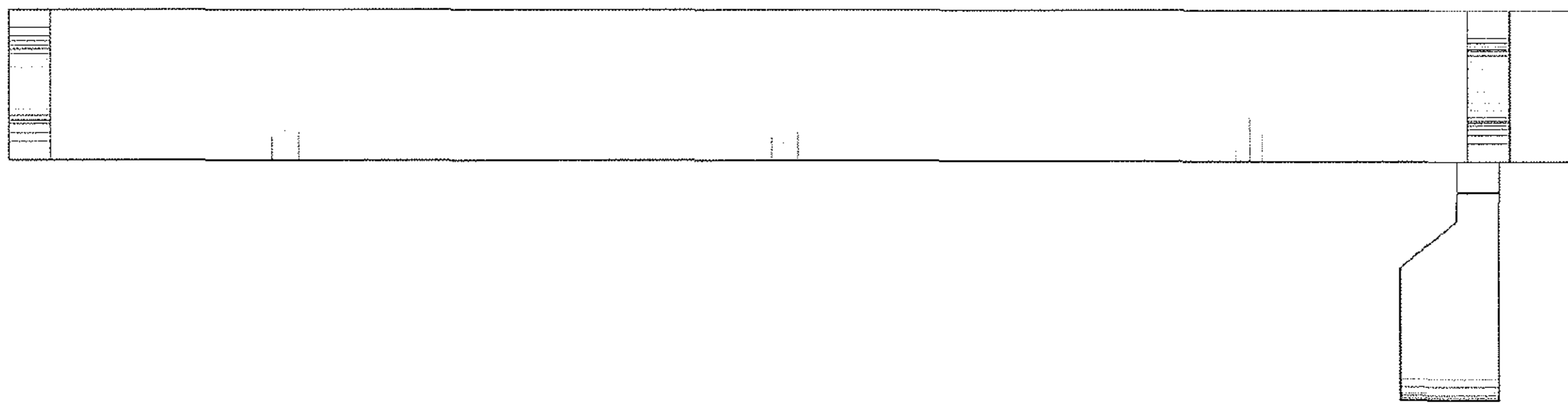


FIG. 7

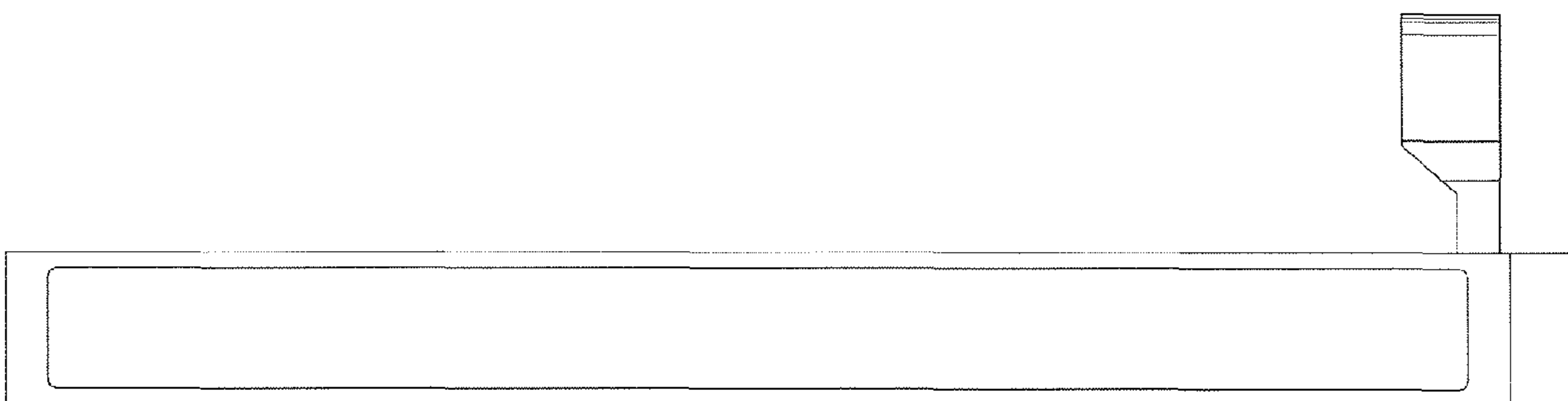


FIG. 8

