

US00D699487S

(12) **United States Design Patent**  
**Trinh et al.**

(10) **Patent No.:** **US D699,487 S**  
(45) **Date of Patent:** **\*\* Feb. 18, 2014**

- (54) **DISPLAY FIXTURE**
- (71) Applicant: **Target Brands, Inc.**, Minneapolis, MN (US)
- (72) Inventors: **Nick Q. Trinh**, Minneapolis, MN (US);  
**Judd S. Kivi**, Minneapolis, MN (US);  
**Timothy J. Martell**, Brooklyn Park, MN (US)
- (73) Assignee: **Target Brands, Inc.**, Minneapolis, MN (US)

- D348,485 S \* 7/1994 Short ..... D19/90
- 5,440,637 A 8/1995 VanFleet
- D369,041 S 4/1996 Lechleiter et al.
- D373,116 S \* 8/1996 Werse ..... D14/340
- D374,445 S 10/1996 Artus
- D379,812 S 6/1997 Besterd et al.
- D424,709 S \* 5/2000 Minidis ..... D25/119
- D446,676 S \* 8/2001 Mayes ..... D6/601
- D463,942 S \* 10/2002 Stevko ..... D6/601
- D466,750 S \* 12/2002 Landvik ..... D6/601
- D475,880 S \* 6/2003 Albright ..... D6/601
- D484,350 S \* 12/2003 Miller ..... D6/601

(Continued)

- (\*\*) Term: **14 Years**
- (21) Appl. No.: **29/433,617**
- (22) Filed: **Oct. 2, 2012**
- (51) **LOC (10) Cl.** ..... **06-04**
- (52) **U.S. Cl.**  
USPC ..... **D6/702; D6/553**
- (58) **Field of Classification Search**  
USPC ..... D6/515, 574, 553, 512, 702, 408, 601;  
221/197; 211/128.1, 59.2, 13.1, 1,  
211/85.1, 85.2, 85.9, 41.1, 60.1; D14/340;  
D19/90; D20/43, 10; 312/114,  
312/233-234; 52/242; D25/119  
See application file for complete search history.

**OTHER PUBLICATIONS**

Recom Group, "Digital Solid State Video Preview LCD Systems & Digital Listening Stations," <http://www.recomgroup.com/DVD,%20Video%20and%20Music%20preview%20and%20Listening%20Stations.htm>, 1 page, at least as early as Aug. 2012.

(Continued)

*Primary Examiner* — Cathron Brooks  
*Assistant Examiner* — Sydney R Buffalow  
(74) *Attorney, Agent, or Firm* — Leanne Taveggia Farrell; Westman, Champlin & Koehler, P.A.

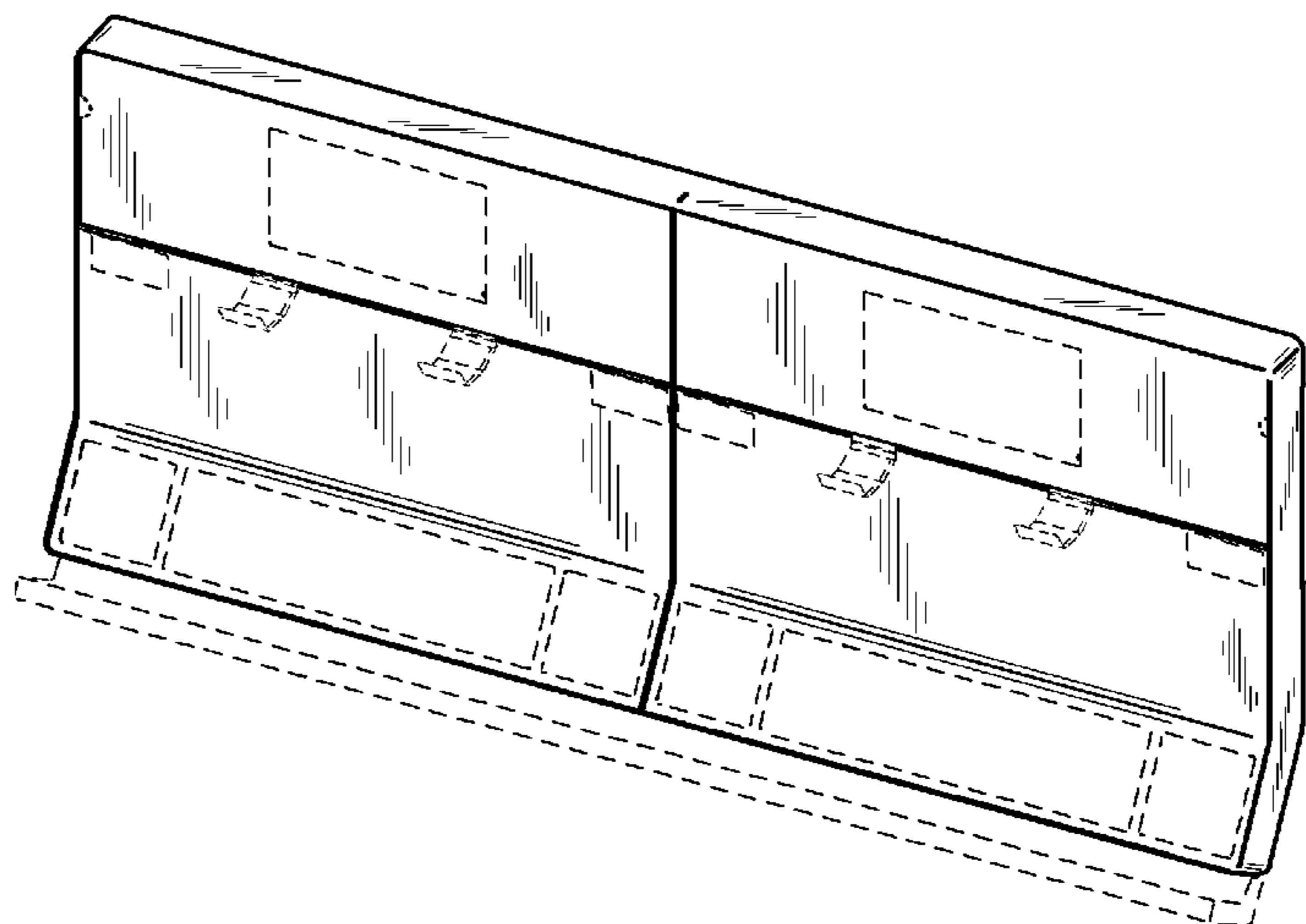
(57) **CLAIM**  
We claim the ornamental design for a display fixture, as shown and described.

- (56) **References Cited**  
**U.S. PATENT DOCUMENTS**  
1,757,076 A \* 5/1930 Eckerly ..... 211/128.1  
2,375,043 A 5/1945 Shaffer  
D191,537 S \* 10/1961 Gavin ..... D6/408  
3,460,302 A \* 8/1969 Cooper ..... 52/242  
D225,707 S \* 1/1973 Brozen ..... D6/574  
3,776,419 A \* 12/1973 Zinkgraf et al. .... 221/197  
D252,000 S \* 6/1979 Smith, III ..... D6/574  
D263,911 S \* 4/1982 Heinrichsdorff ..... D6/408  
D263,912 S \* 4/1982 Heinrichsdorff ..... D6/408  
D267,382 S \* 12/1982 Heinrichsdorff ..... D6/515  
D295,590 S \* 5/1988 Merl et al. .... D6/408

**DESCRIPTION**

FIG. 1 is a perspective view of a display fixture;  
FIG. 2 is a front view thereof;  
FIG. 3 is a side view thereof, the opposite side being a mirror image;  
FIG. 4 is a top view thereof; and,  
FIG. 5 is a bottom view thereof.  
The broken lines shown illustrate portions of the display fixture which form no part of the claimed design.

**1 Claim, 3 Drawing Sheets**



(56)

**References Cited**

U.S. PATENT DOCUMENTS

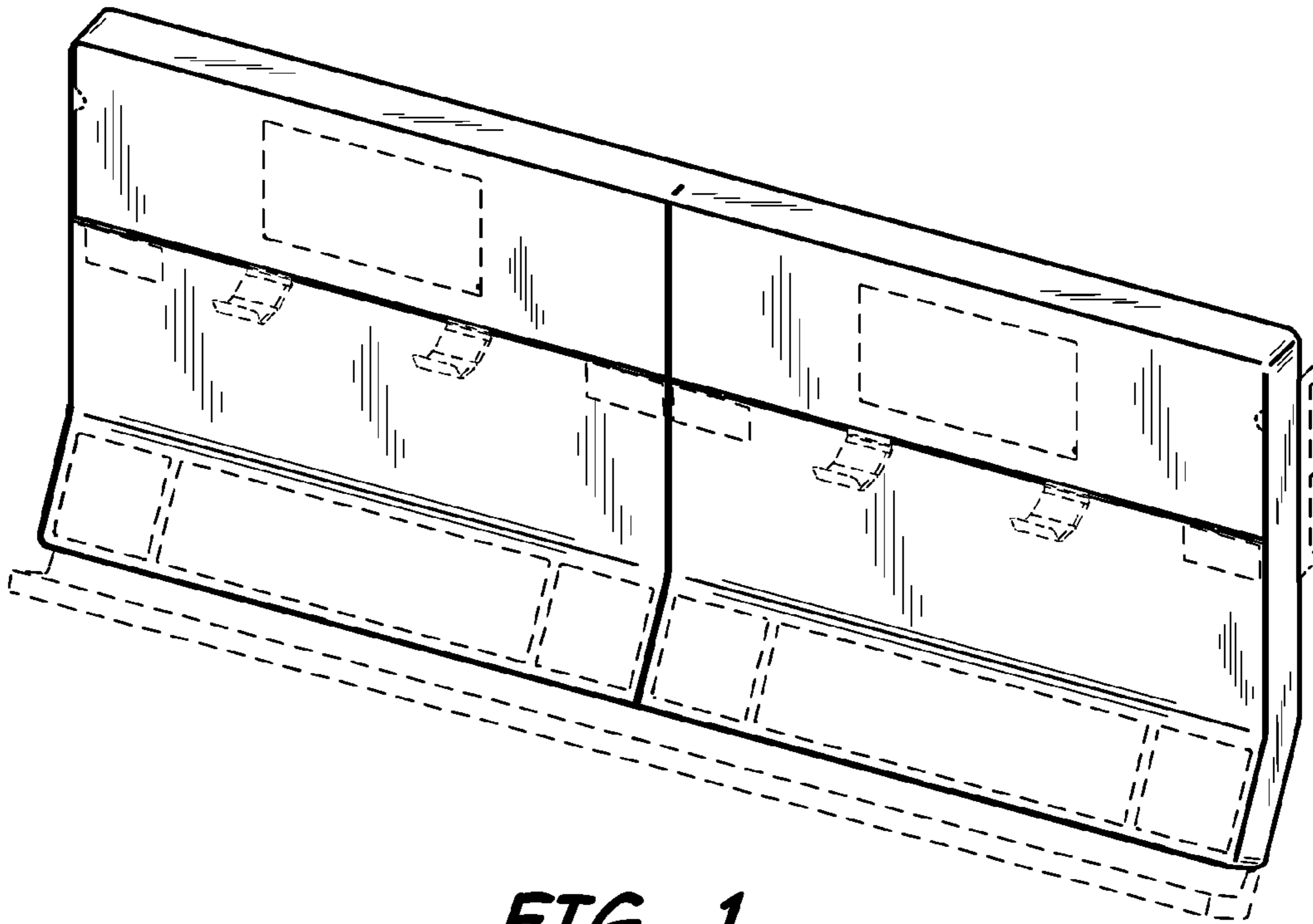
6,813,771 B2 11/2004 Weaver  
D511,216 S \* 11/2005 Folliard ..... D25/119  
D529,632 S \* 10/2006 Folliard ..... D25/119  
D539,584 S \* 4/2007 Slimane ..... D6/553  
D579,124 S \* 10/2008 Sauter et al. .... D25/119  
D586,004 S \* 2/2009 Sauter et al. .... D25/119  
D618,029 S \* 6/2010 Keefe et al. .... D6/601  
8,056,738 B2 11/2011 Phillips  
D662,749 S \* 7/2012 Cohen ..... D6/601  
D681,994 S \* 5/2013 Morgan, II ..... D6/601

D688,897 S \* 9/2013 Yang ..... D6/601  
2004/0258265 A1 12/2004 Cordova  
2008/0156922 A1 7/2008 Rabinowitz et al.  
2009/0113116 A1 4/2009 Thompson et al.  
2009/0223908 A1 9/2009 Karel  
2011/0186530 A1 8/2011 Karel

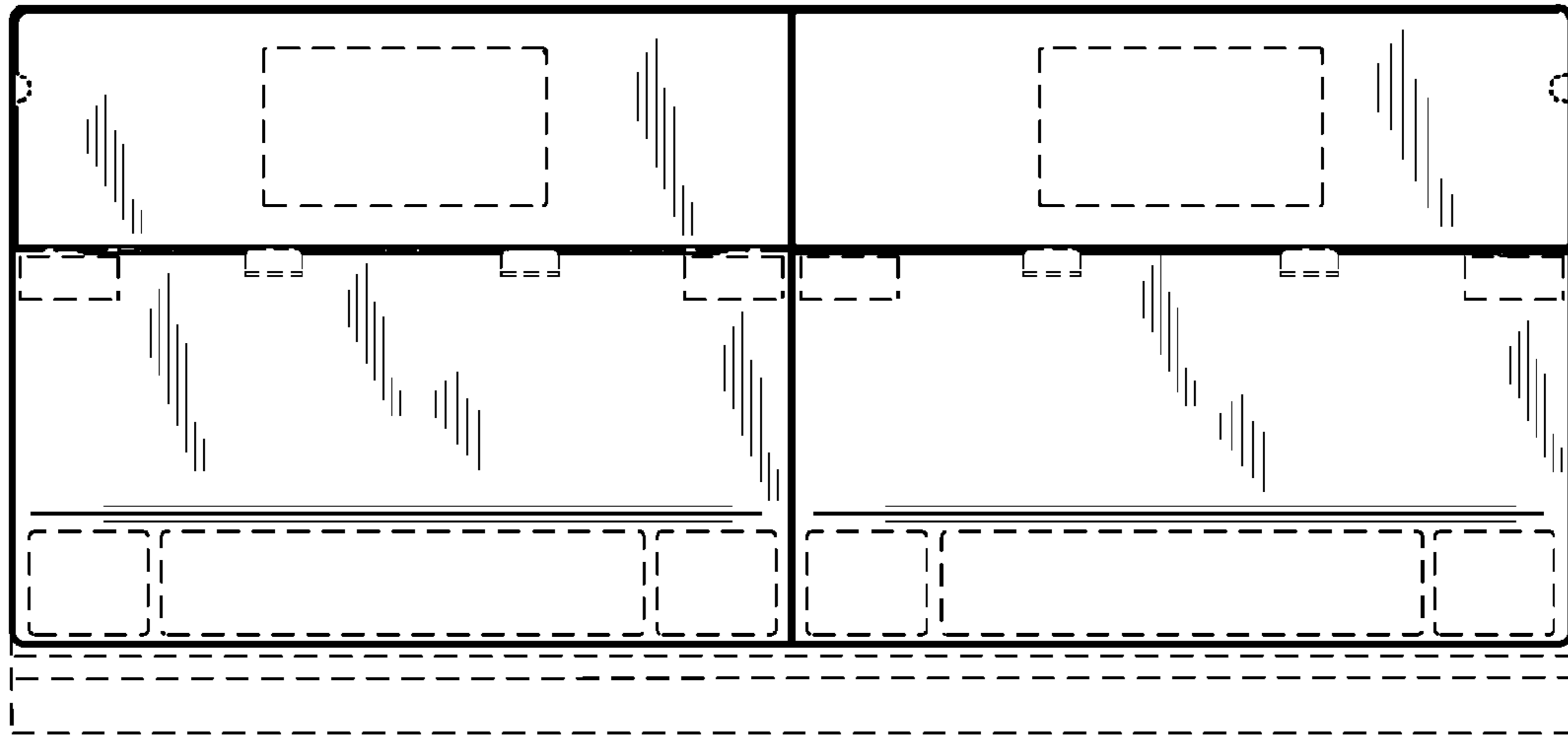
OTHER PUBLICATIONS

Office Action from Canadian Patent Application No. 148,609, mailed  
Aug. 6, 2013 (4 pages).

\* cited by examiner



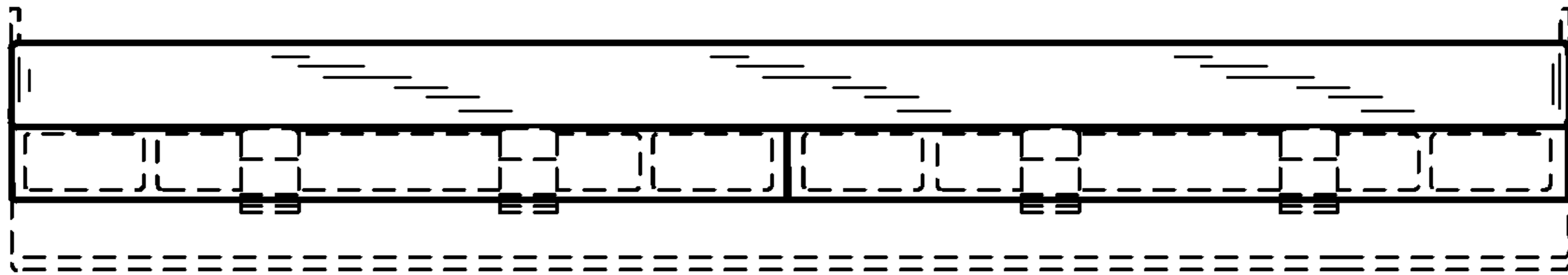
*FIG. 1*



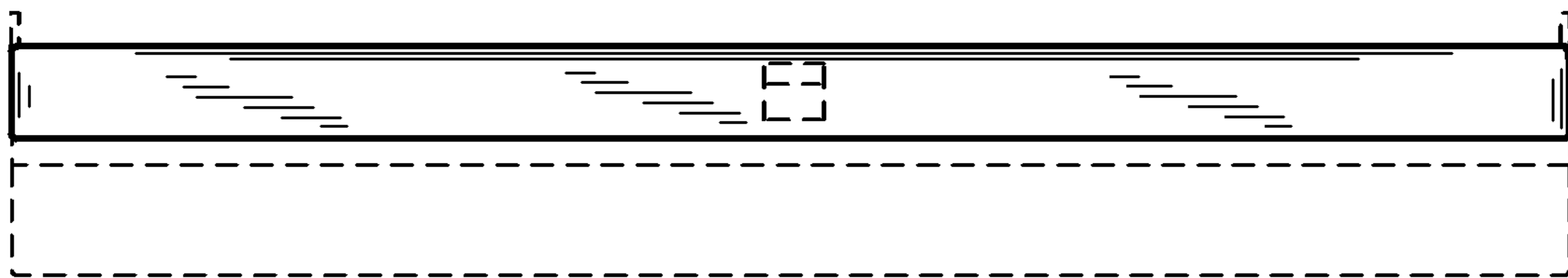
**FIG. 2**



**FIG. 3**



**FIG. 4**



**FIG. 5**