



US00D699485S

(12) **United States Design Patent**
Hsu et al.

(10) **Patent No.:** **US D699,485 S**

(45) **Date of Patent:** **** Feb. 18, 2014**

- (54) **MODULAR UTILITY RACK**
- (71) Applicant: **Seville Classics, Inc.**, Torrance, CA (US)
- (72) Inventors: **Li-Han Hsu**, Torrance, CA (US); **Mark H. Bevan**, Pasadena, CA (US)
- (73) Assignee: **Seville Classics Inc.**, Torrance, CA (US)
- (**) Term: **14 Years**
- (21) Appl. No.: **29/467,176**
- (22) Filed: **Sep. 16, 2013**
- (51) **LOC (10) Cl.** **06-06**
- (52) **U.S. Cl.**
USPC **D6/675.1**
- (58) **Field of Classification Search**
USPC 76/396-397, 449, 509-511, 672, 675,
76/675.1; 211/31.1, 85.26, 85.31, 85.4,
211/33, 134, 186-191, 194, 181.1
See application file for complete search history.

- D602,712 S * 10/2009 Ho D6/465
- D626,356 S * 11/2010 Ho D6/465
- D657,979 S * 4/2012 Sokol et al. D6/479
- D683,983 S * 6/2013 Troyner et al. D6/675.2
- D686,029 S * 7/2013 Parker et al. D6/682.4
- 2002/0027114 A1* 3/2002 Krusell 211/85.7
- 2011/0240571 A1* 10/2011 Ho 211/13.1

* cited by examiner

Primary Examiner — Kelley Donnelly

(74) *Attorney, Agent, or Firm* — Raymond Sun

(57) **CLAIM**

The ornamental design for a modular utility rack, as shown and described.

DESCRIPTION

FIG. 1 is a perspective view of a modular utility rack showing our new design;
 FIG. 2 is a front plan view thereof;
 FIG. 3 is a right plan view thereof;
 FIG. 4 is a left plan view thereof;
 FIG. 5 is a top plan view thereof;
 FIG. 6 is a bottom plan view thereof; and,
 FIG. 7 is a rear plan view.

The break lines on the edges of the shelves, and the four legs in FIGS. 1 through 7 are not part of the claimed design and represent that no particular length is claimed.

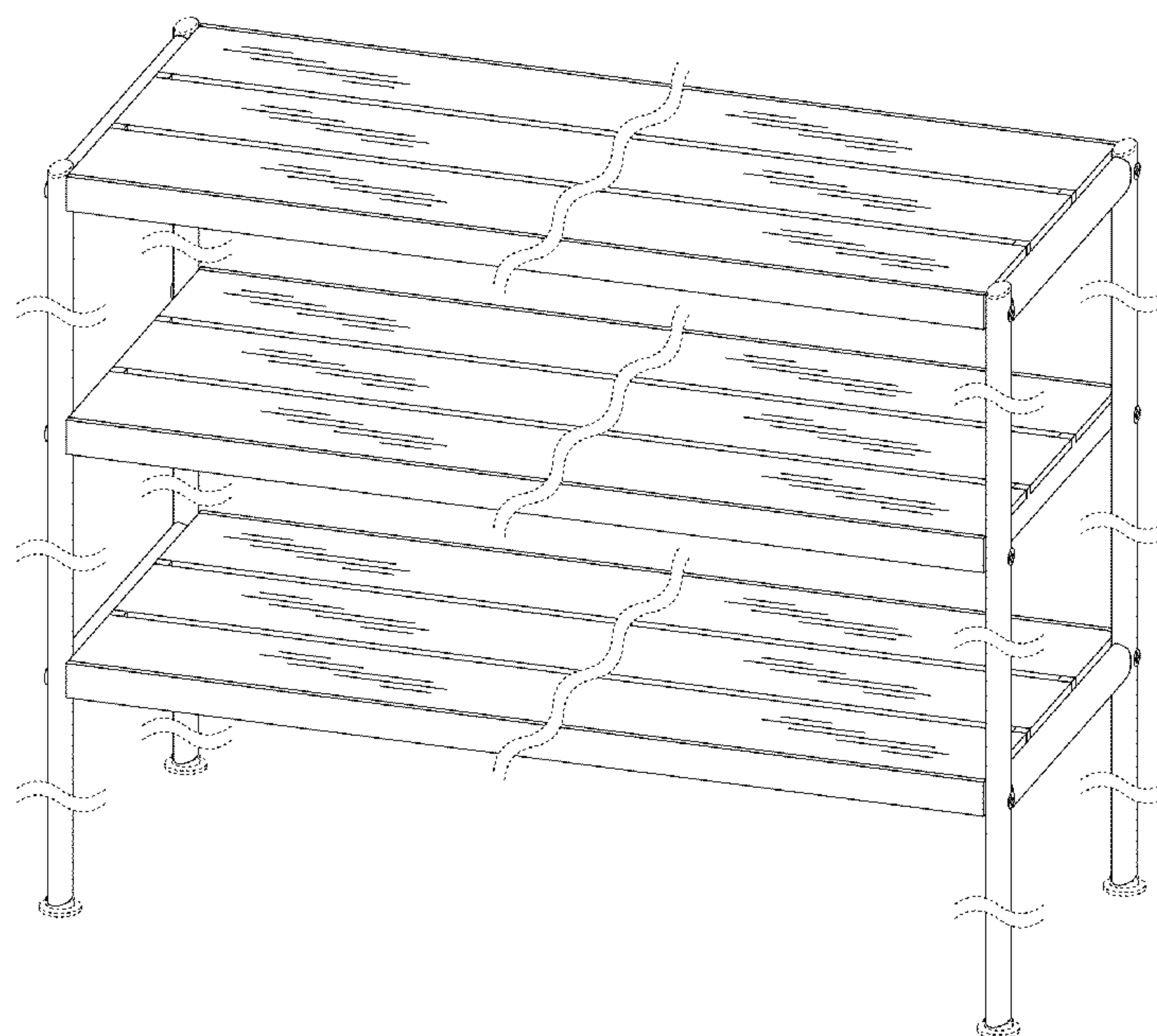
The broken lines showing is included for the purpose of illustrating environment and forms no part of the claimed design.

1 Claim, 7 Drawing Sheets

(56) **References Cited**

U.S. PATENT DOCUMENTS

- D322,726 S * 12/1991 Rademacher et al. D6/465
- D424,836 S * 5/2000 Kopala, Jr. D6/465
- 6,260,488 B1 * 7/2001 Yang et al. 108/107
- D540,568 S * 4/2007 Clucas D6/465
- D594,252 S * 6/2009 Gehring D6/465
- D597,342 S * 8/2009 Dickson D6/465



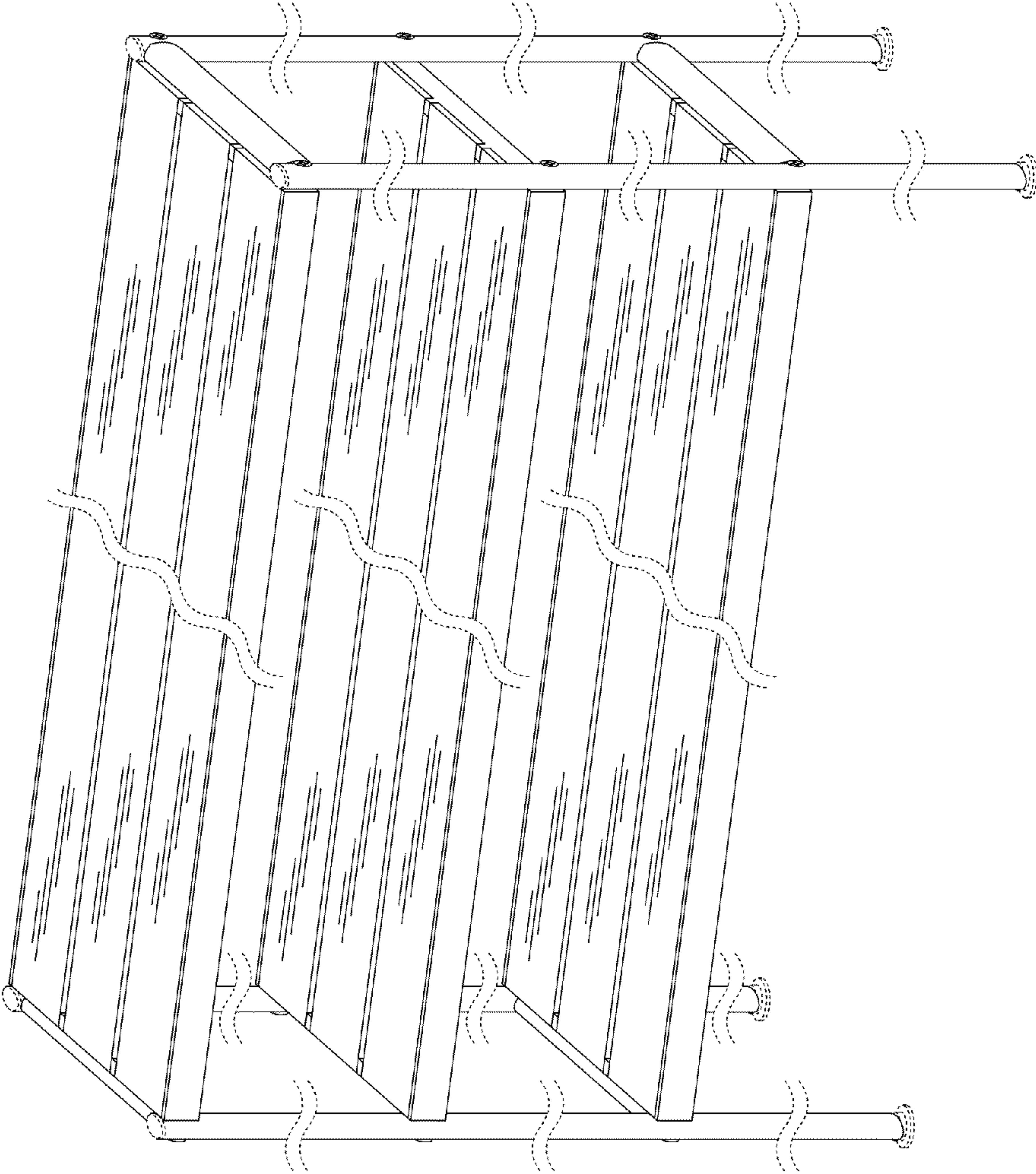


FIG. 1

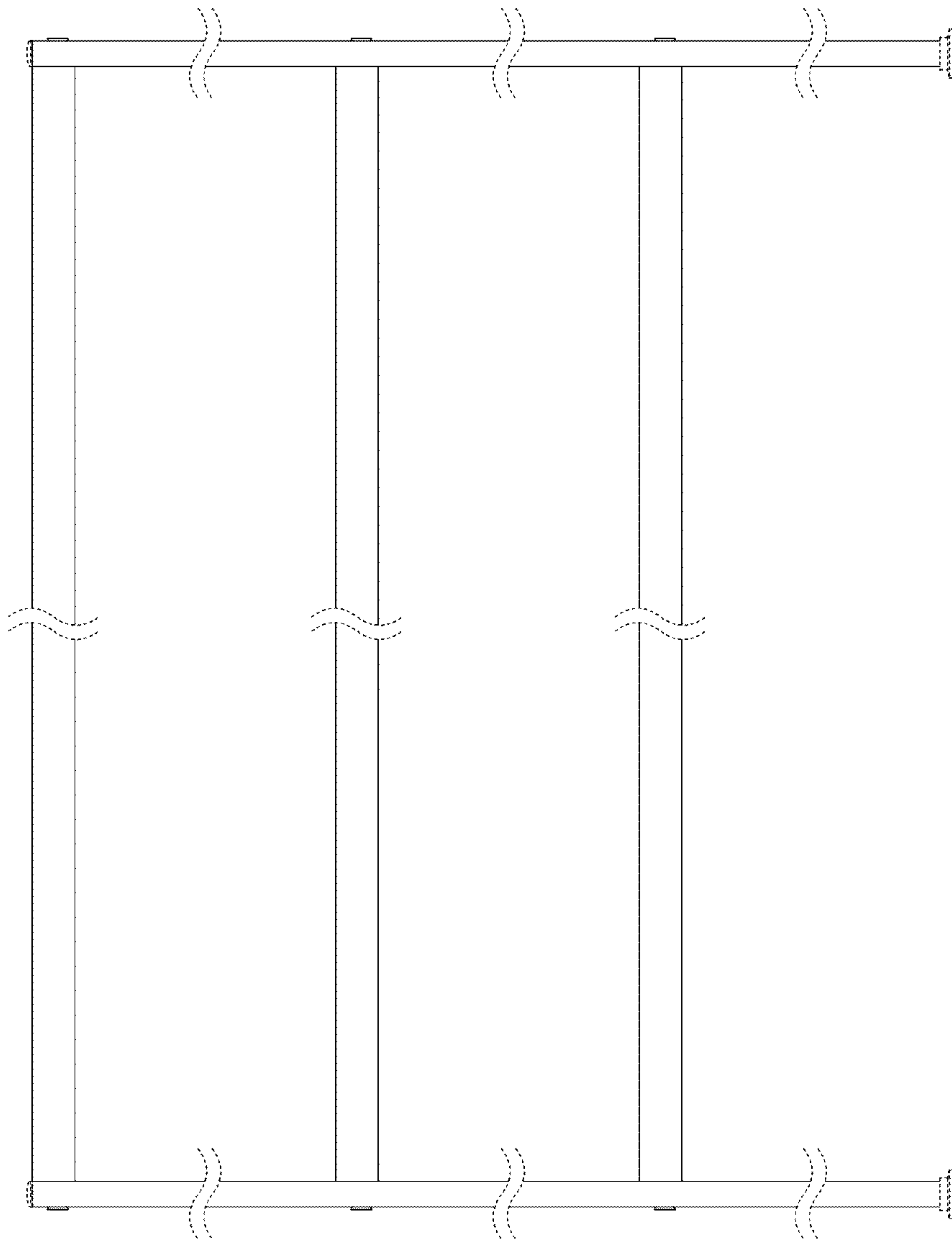


FIG. 2

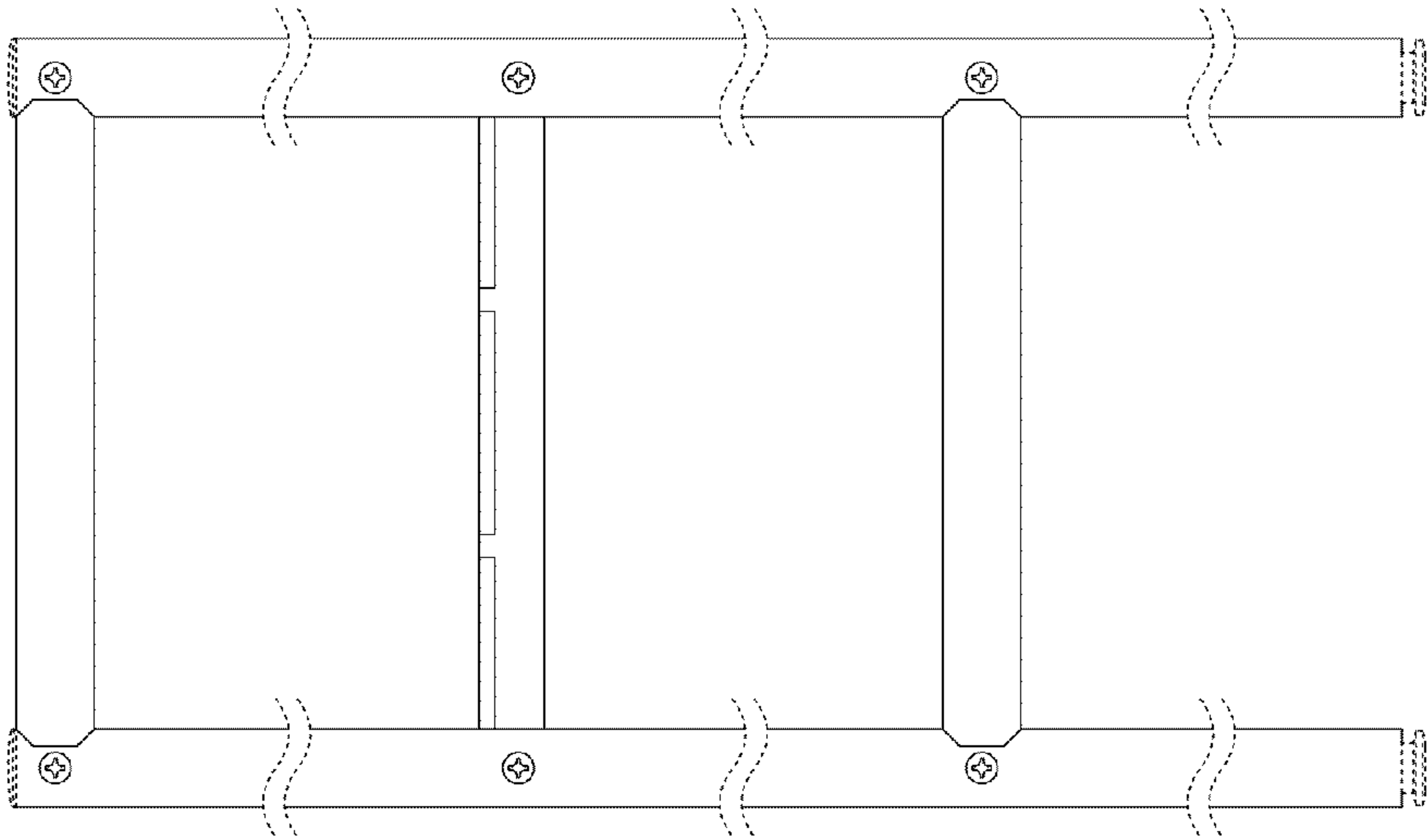


FIG. 3

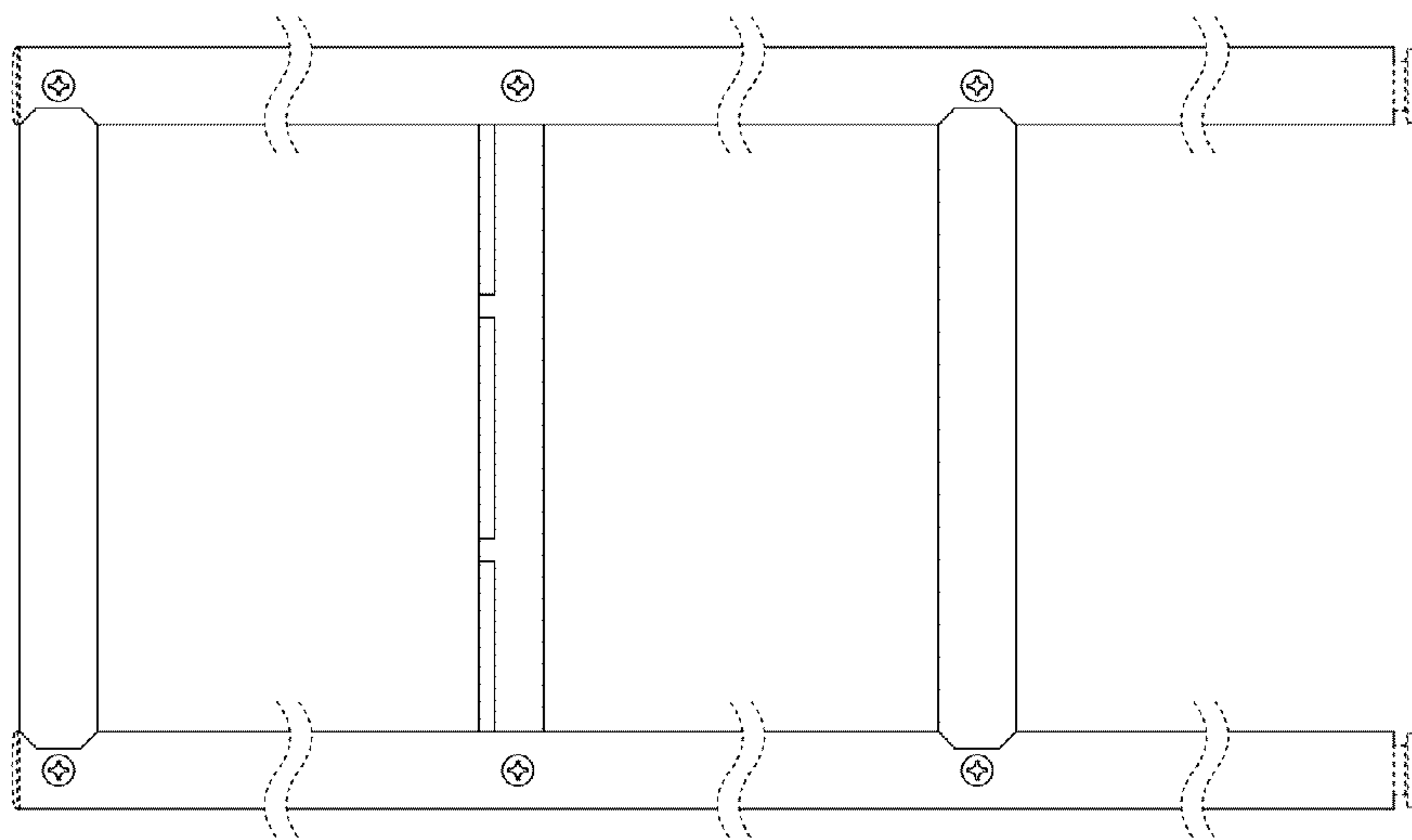


FIG. 4

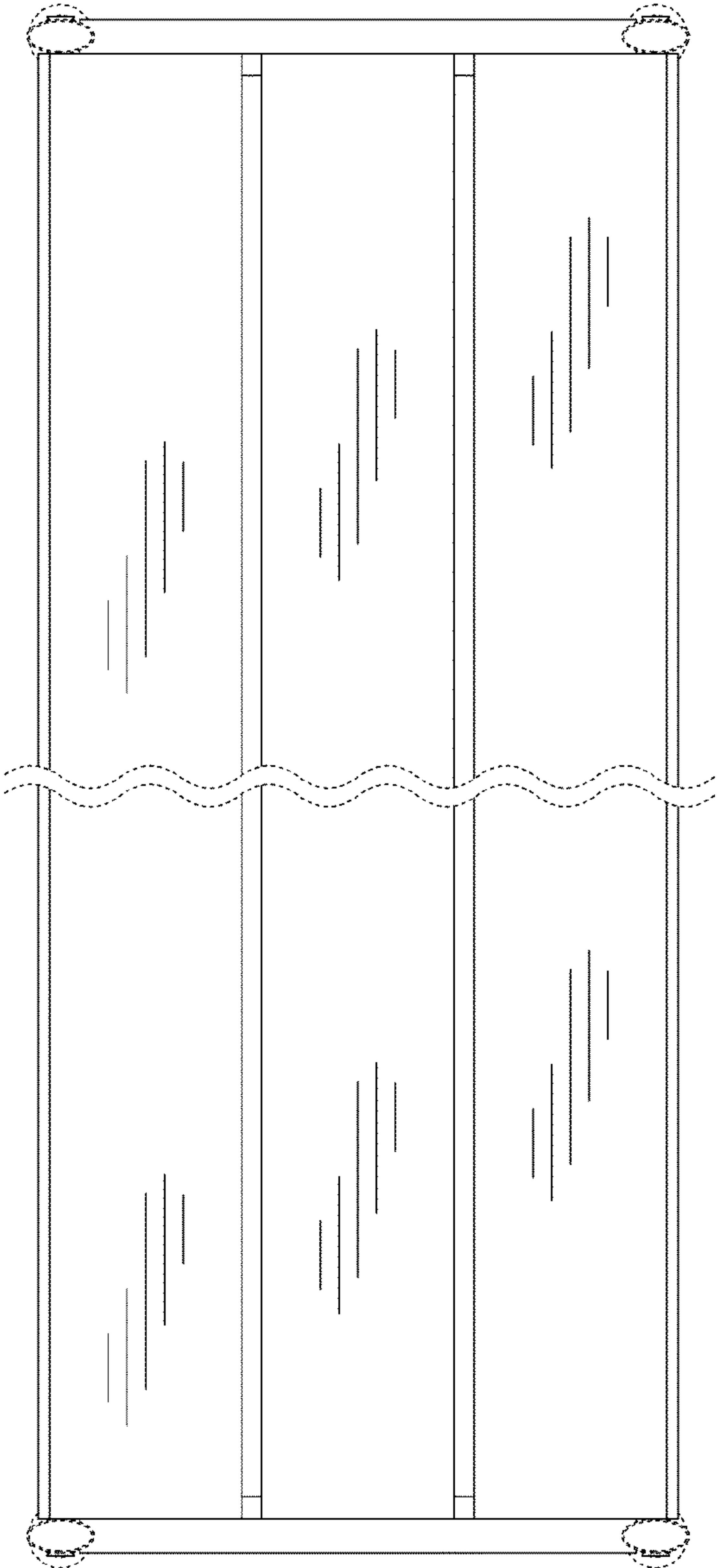


FIG. 5

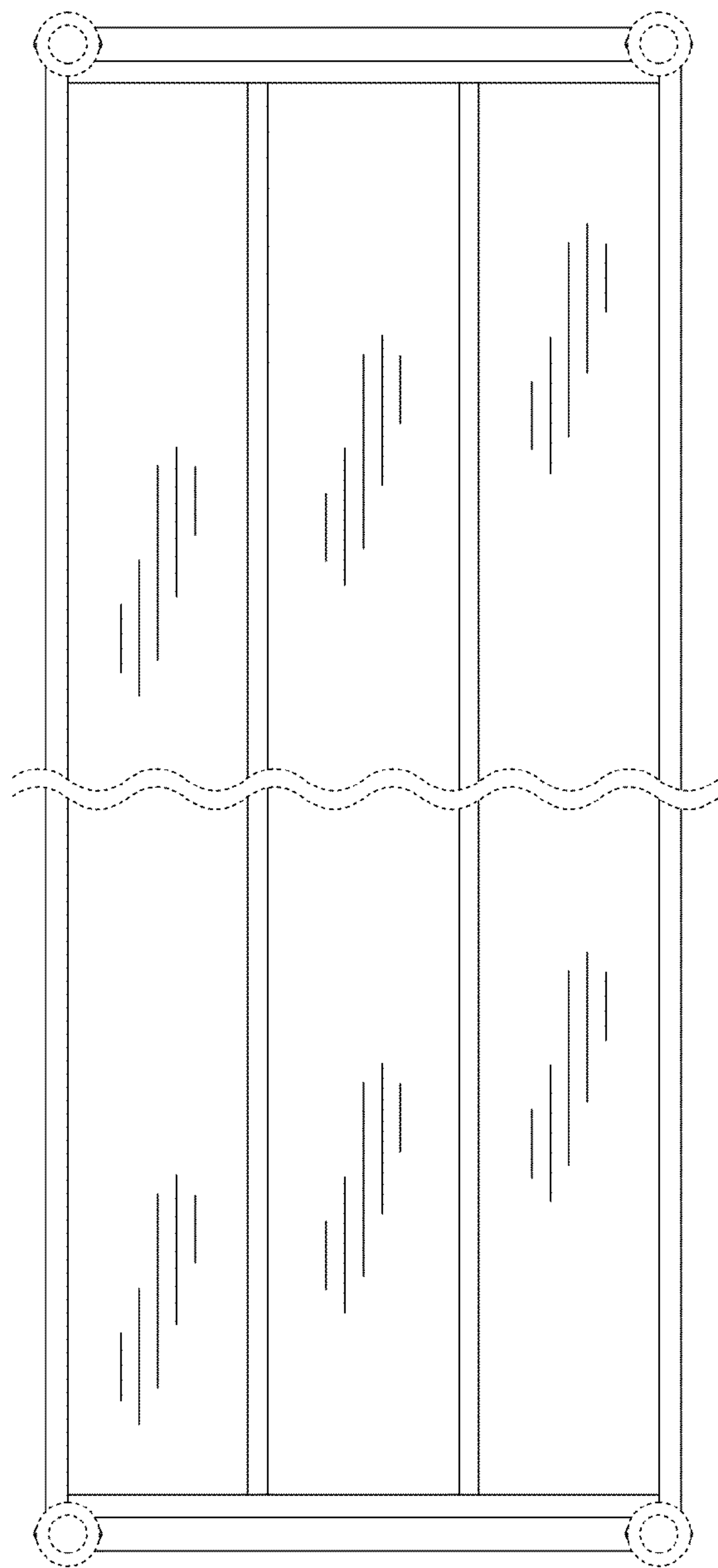


FIG. 6

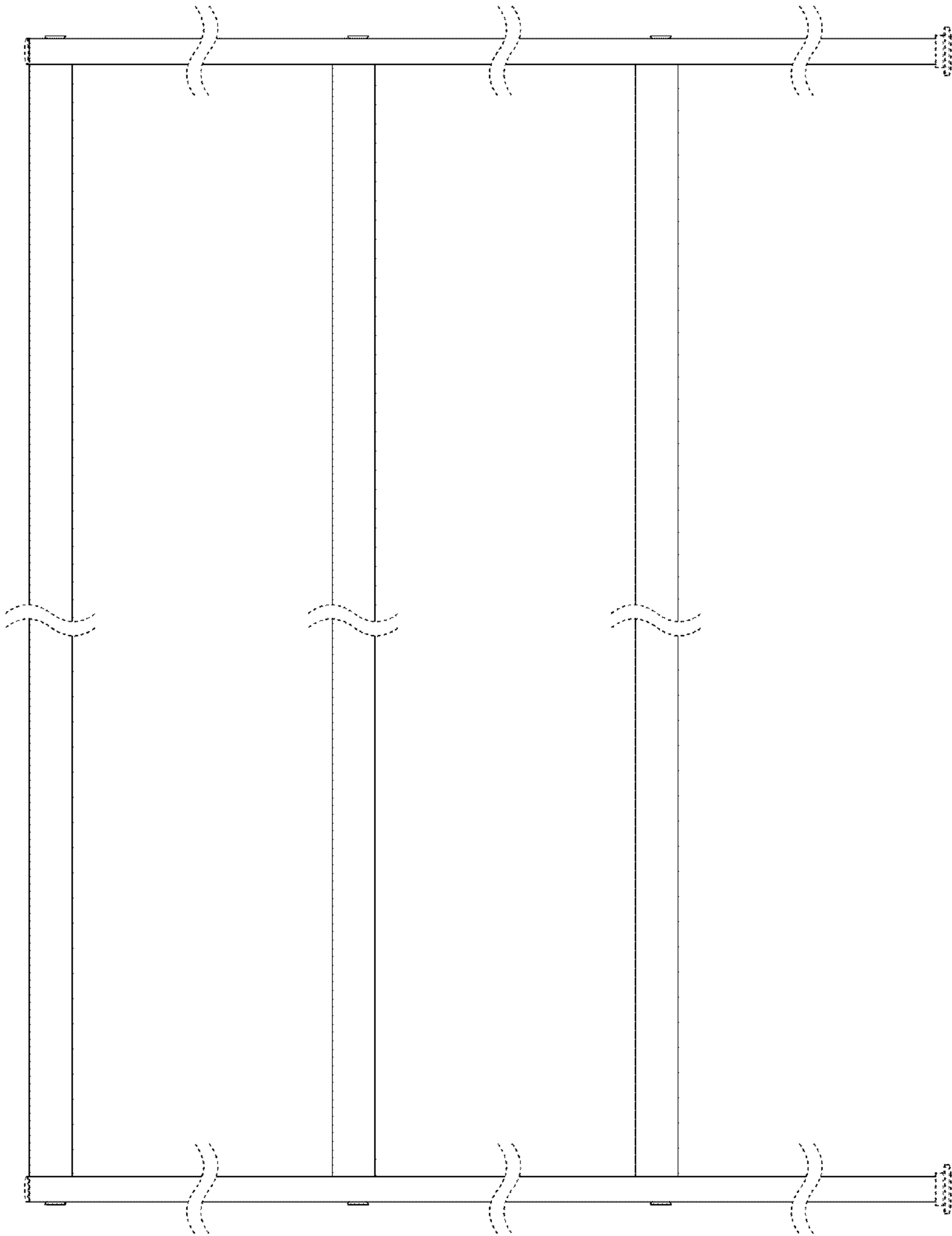


FIG. 7