



US00D699482S

(12) **United States Design Patent**  
**Kearns**

(10) **Patent No.:** **US D699,482 S**  
(45) **Date of Patent:** **\*\* Feb. 18, 2014**

(54) **CHAIR-ATTACHABLE BACK SUPPORT  
PILLOW**

(71) Applicant: **Daphne M. Kearns**, Brooklyn, NY (US)

(72) Inventor: **Daphne M. Kearns**, Brooklyn, NY (US)

(\*\*) Term: **14 Years**

(21) Appl. No.: **29/438,348**

(22) Filed: **Nov. 29, 2012**

(51) **LOC (10) Cl.** ..... **06-09**

(52) **U.S. Cl.**  
USPC ..... **D6/601**

(58) **Field of Classification Search**  
USPC ..... D6/595, 596, 601, 604; 5/630, 633,  
5/636, 638, 644, 652, 652.1, 653-655,  
5/657

See application file for complete search history.

(56) **References Cited**

**U.S. PATENT DOCUMENTS**

2,021,825 A \* 11/1935 Ackerman ..... 5/633  
4,471,993 A 9/1984 Watson

D325,683 S \* 4/1992 Meyer et al. .... D6/601  
D338,587 S 8/1993 Harnish  
D406,486 S 3/1999 Ogilvie  
D428,294 S \* 7/2000 Teel ..... D6/601  
7,413,250 B2 8/2008 Connolly et al.  
D652,665 S \* 1/2012 Bamford et al. .... D6/601

\* cited by examiner

*Primary Examiner* — Janice Seeger

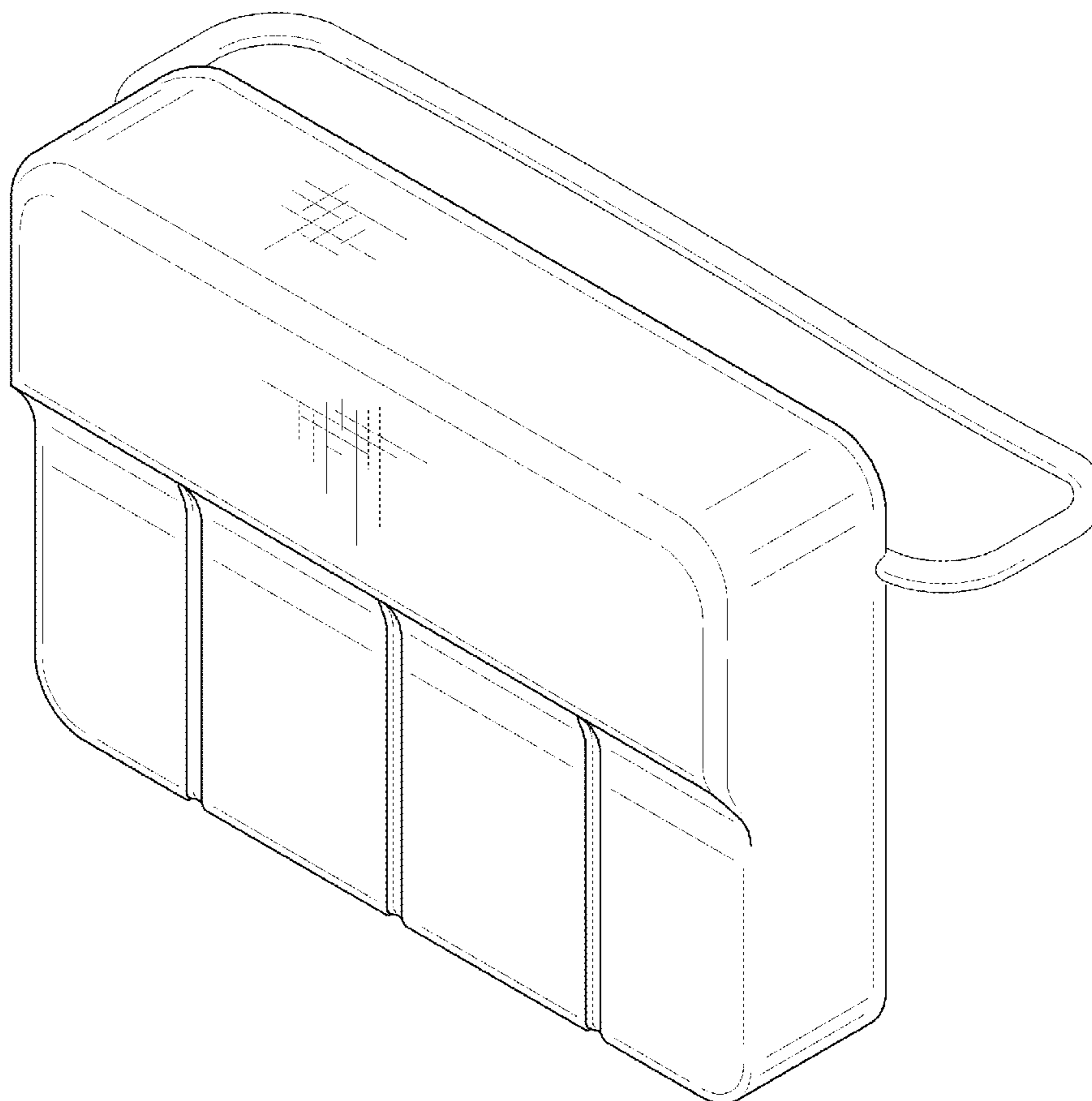
(57) **CLAIM**

The ornamental design for a chair-attachable back support pillow, as shown and described.

**DESCRIPTION**

FIG. 1 is a front elevation view of a chair-attachable back support pillow showing my new design;  
FIG. 2 is a rear elevation view thereof;  
FIG. 3 is a right side elevation view thereof, the opposite side being a mirror image of the shown;  
FIG. 4 is a top plan view thereof;  
FIG. 5 is a bottom plan view thereof; and,  
FIG. 6 is an isometric view thereof.

**1 Claim, 6 Drawing Sheets**



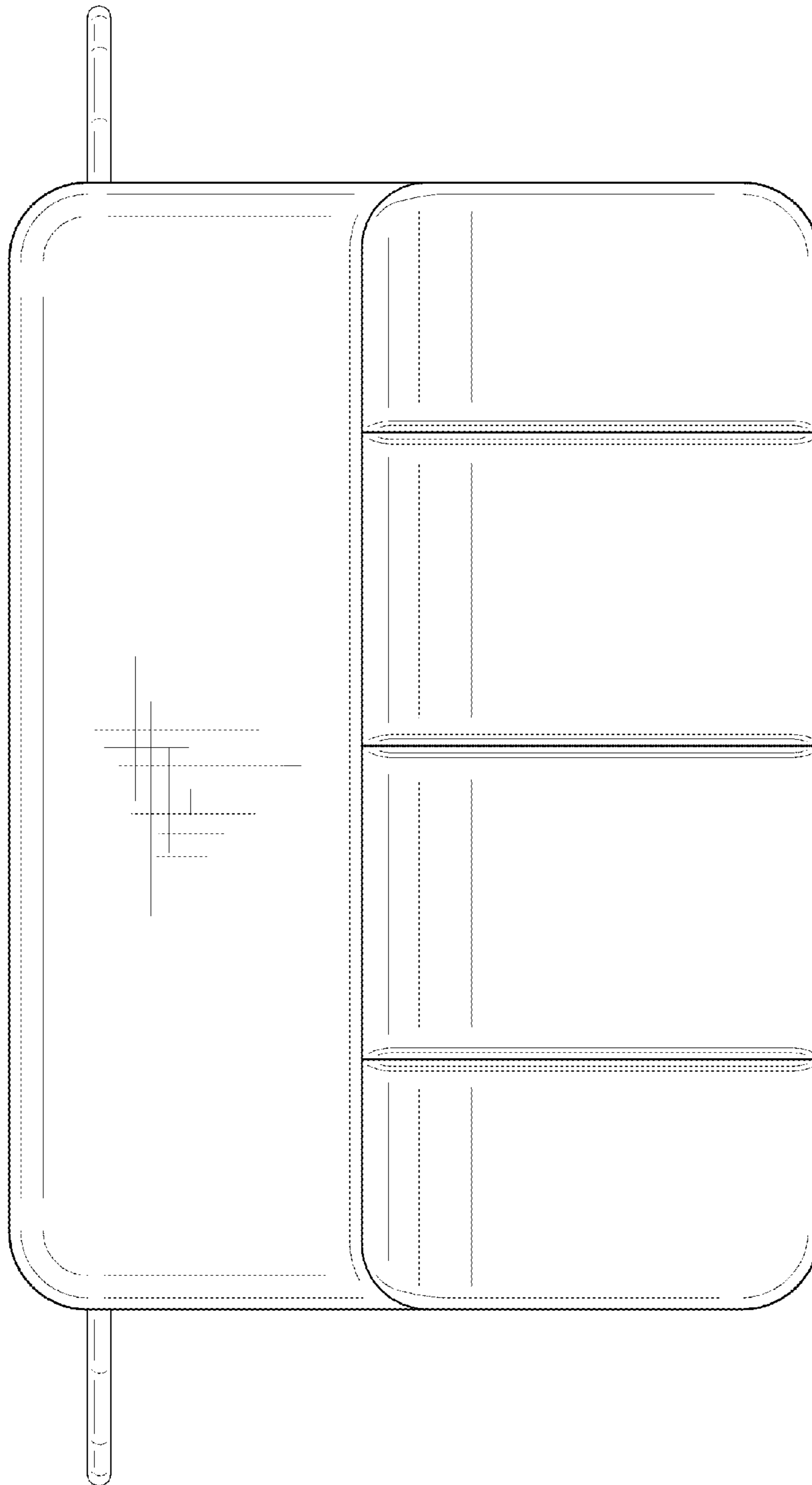


FIG. 1

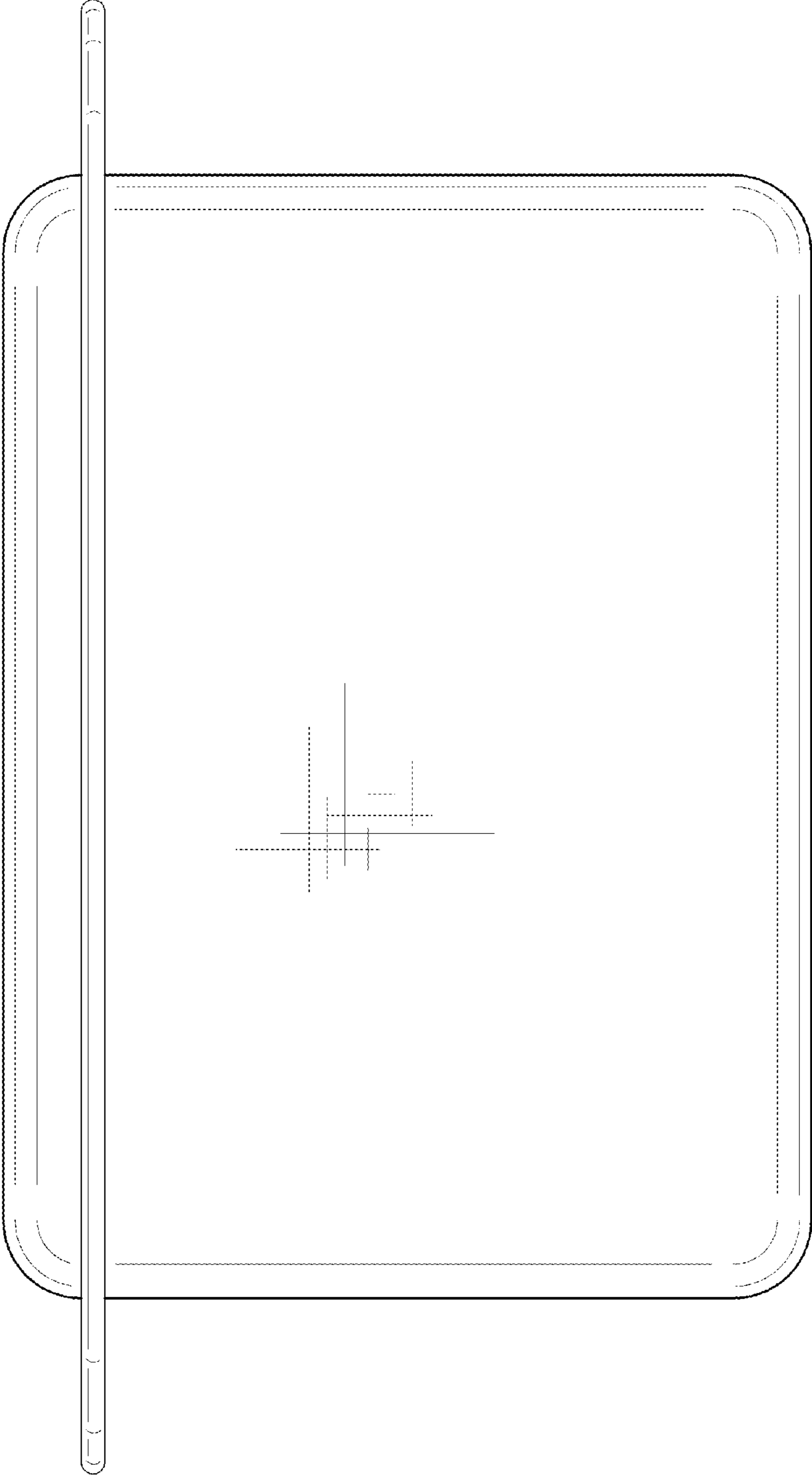


FIG. 2

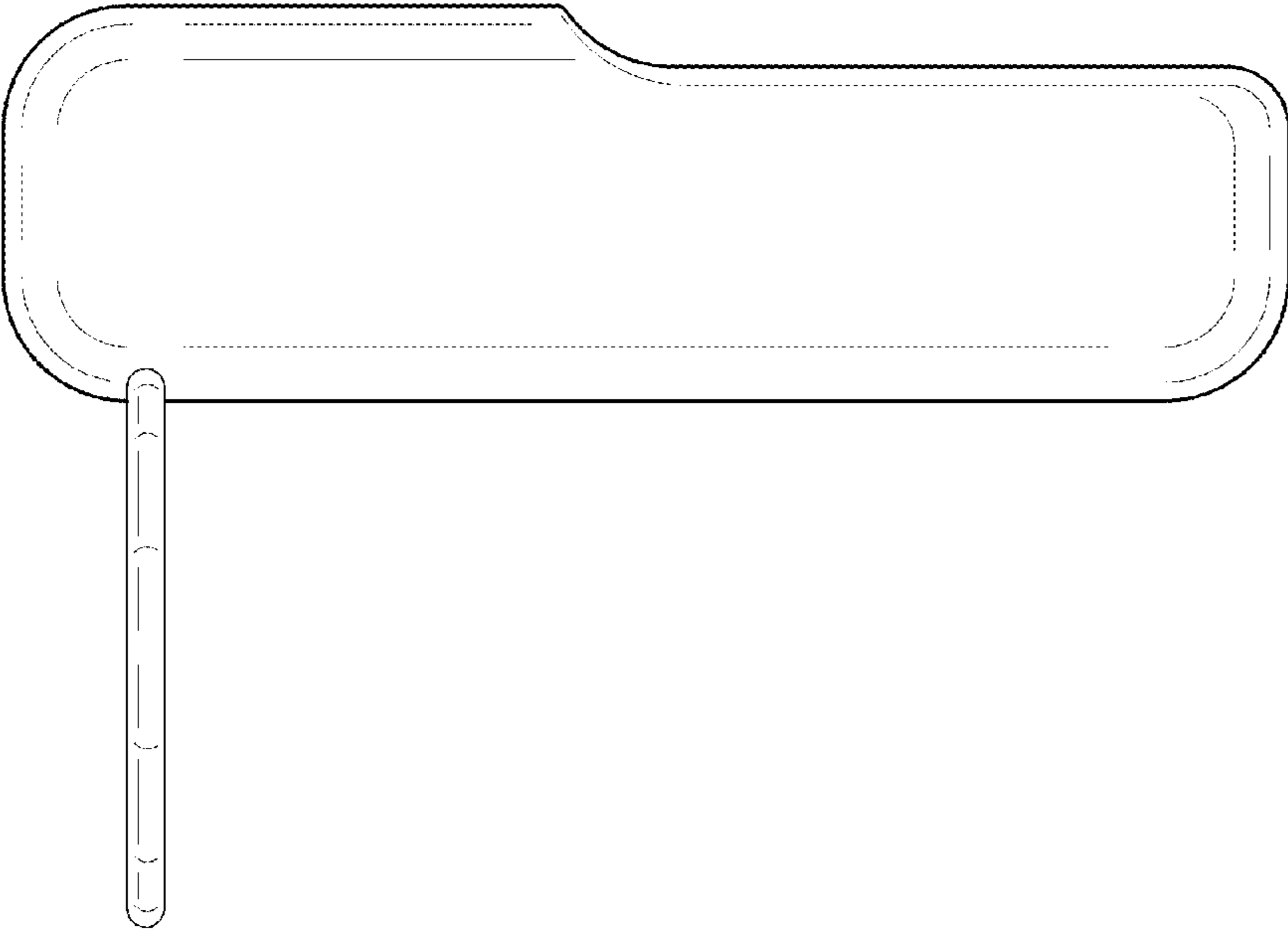


FIG. 3

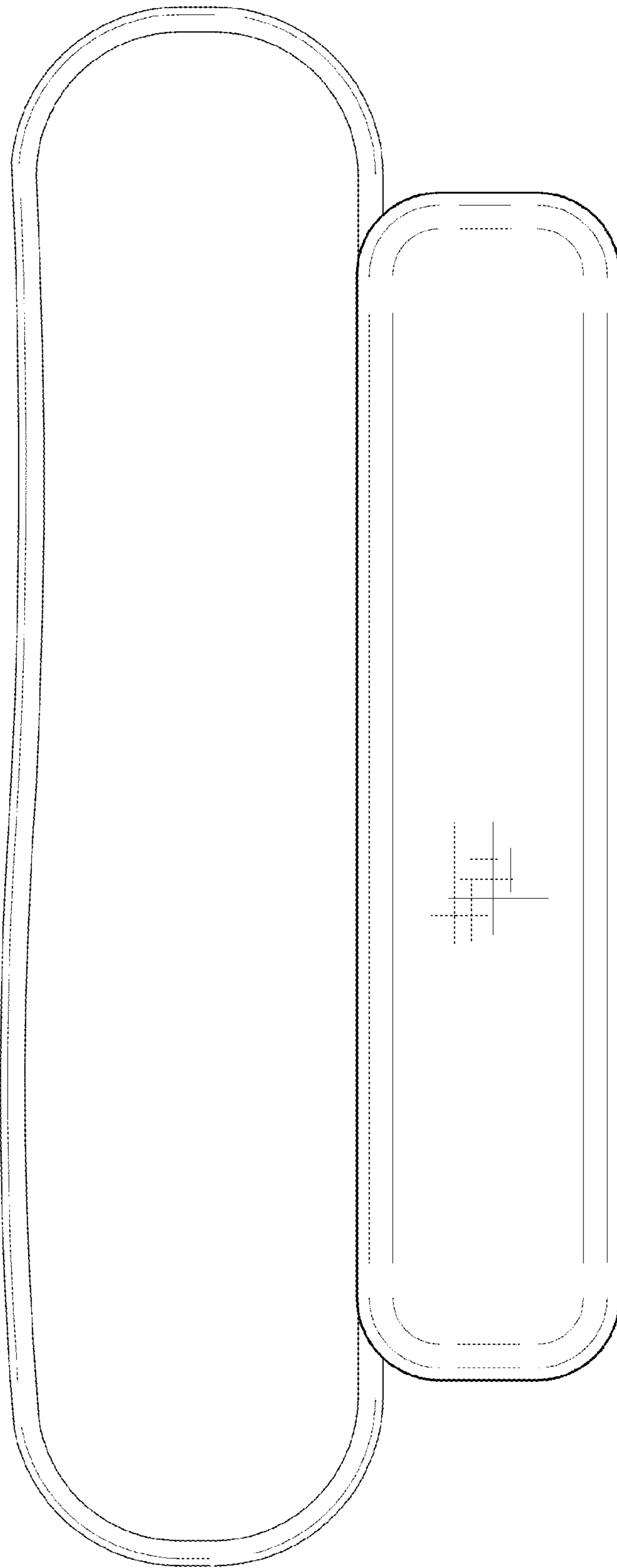


FIG. 4

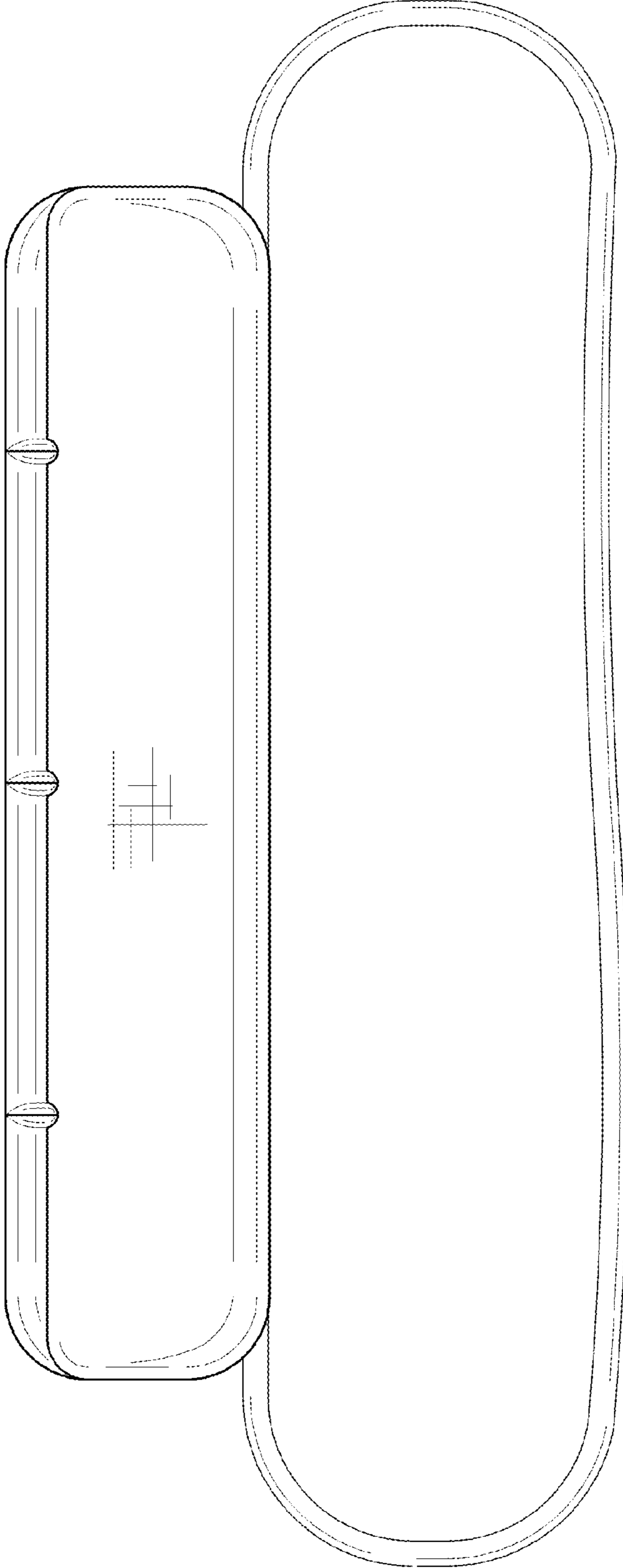


FIG. 5

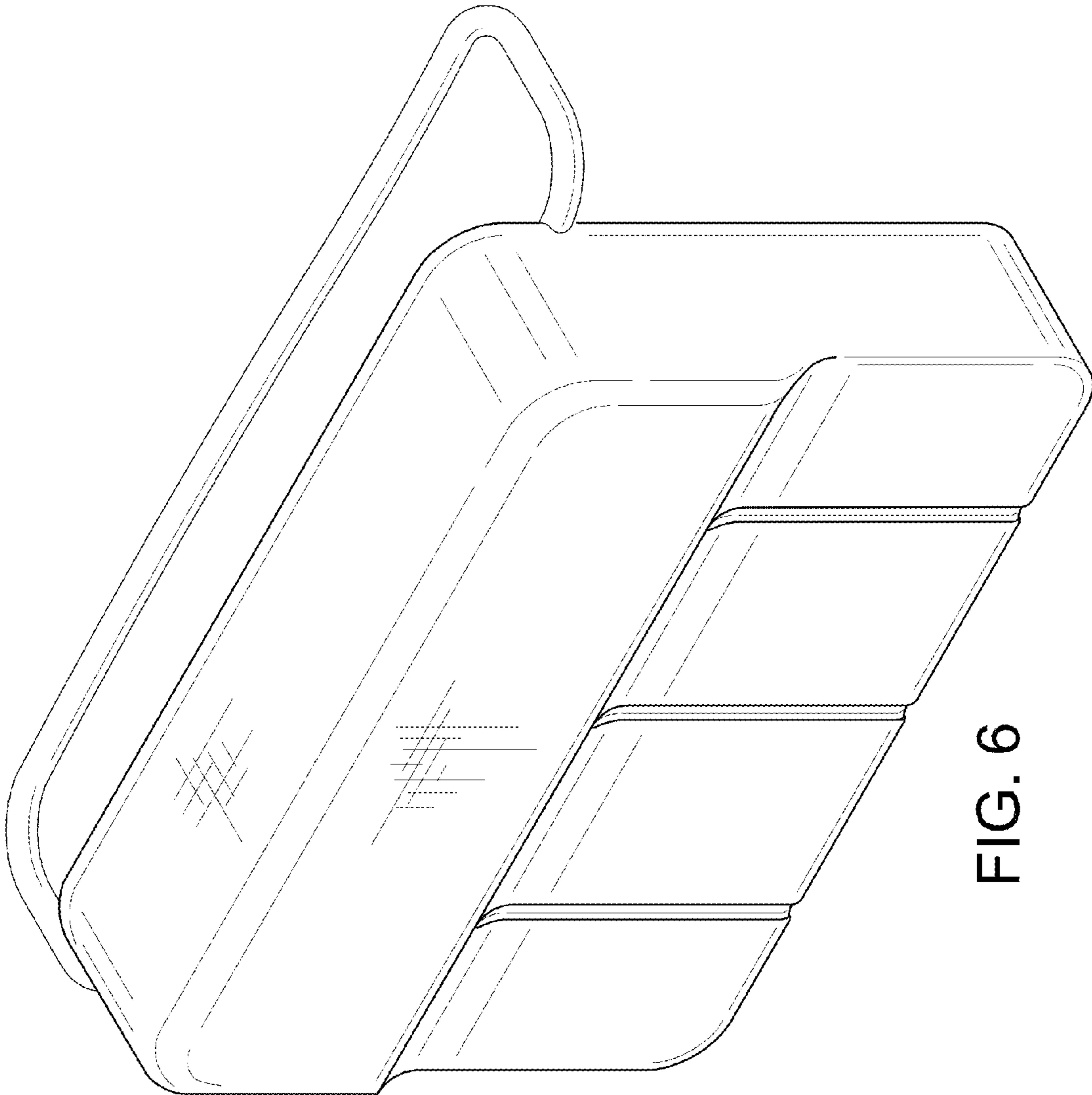


FIG. 6