



US00D699480S

(12) **United States Design Patent**  
**Dibben et al.**

(10) **Patent No.:** **US D699,480 S**  
(45) **Date of Patent:** **\*\* Feb. 18, 2014**

(54) **CLIP FOR A ROLLER-BLIND RAIL**

(56) **References Cited**

(75) Inventors: **Martin Ross Moulson Dibben**, Hitchin (GB); **John Hammick**, Hitchin (GB); **Paul Neal**, Biggleswade (GB); **Marc Jeeves**, Biggleswade (GB)

U.S. PATENT DOCUMENTS

D482,223 S *	11/2003	Bibby et al. ....	D6/580
7,730,923 B2 *	6/2010	Zhang .....	160/38
D649,015 S *	11/2011	Honda .....	D8/349
D656,393 S *	3/2012	Honda .....	D8/382

(73) Assignee: **Martin Ross Moulson Dibben**, Hertfordshire (GB)

\* cited by examiner

*Primary Examiner* — Holly Baynham

(\*\*) Term: **14 Years**

(74) *Attorney, Agent, or Firm* — Kilpatrick Townsend & Stockton LLP

(21) Appl. No.: **29/427,862**

(57) **CLAIM**

The ornamental design for the clip for a roller-blind rail, as shown and described.

(22) Filed: **Jul. 23, 2012**

**DESCRIPTION**

(30) **Foreign Application Priority Data**

Feb. 29, 2012 (EM) ..... 001315923-0001

(51) **LOC (10) Cl.** ..... **06-10**

(52) **U.S. Cl.**  
USPC ..... **D6/580**

(58) **Field of Classification Search**  
USPC ..... D8/394; D6/580; 160/38-39, 178.1 R,  
160/177 R

FIG. 1 is a perspective view of the clip for a roller-blind rail from the front, one side and above;

FIG. 2 is a perspective view from front, one side and below;

FIG. 3 is a plan view;

FIG. 4 is an underside view;

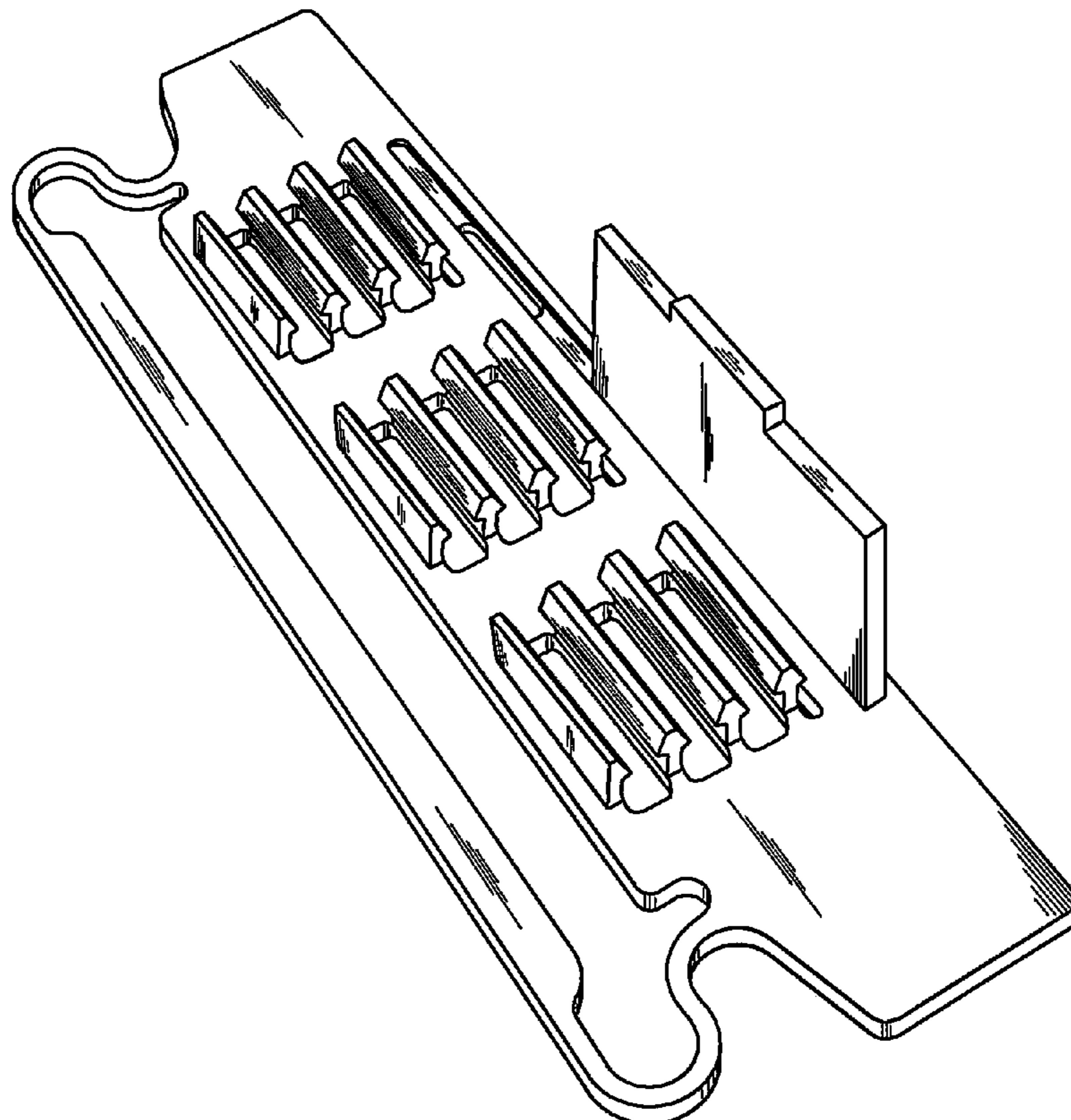
FIG. 5 is a view from one side;

FIG. 6 is a view from the other side; and,

FIG. 7 is a front view.

See application file for complete search history.

**1 Claim, 7 Drawing Sheets**



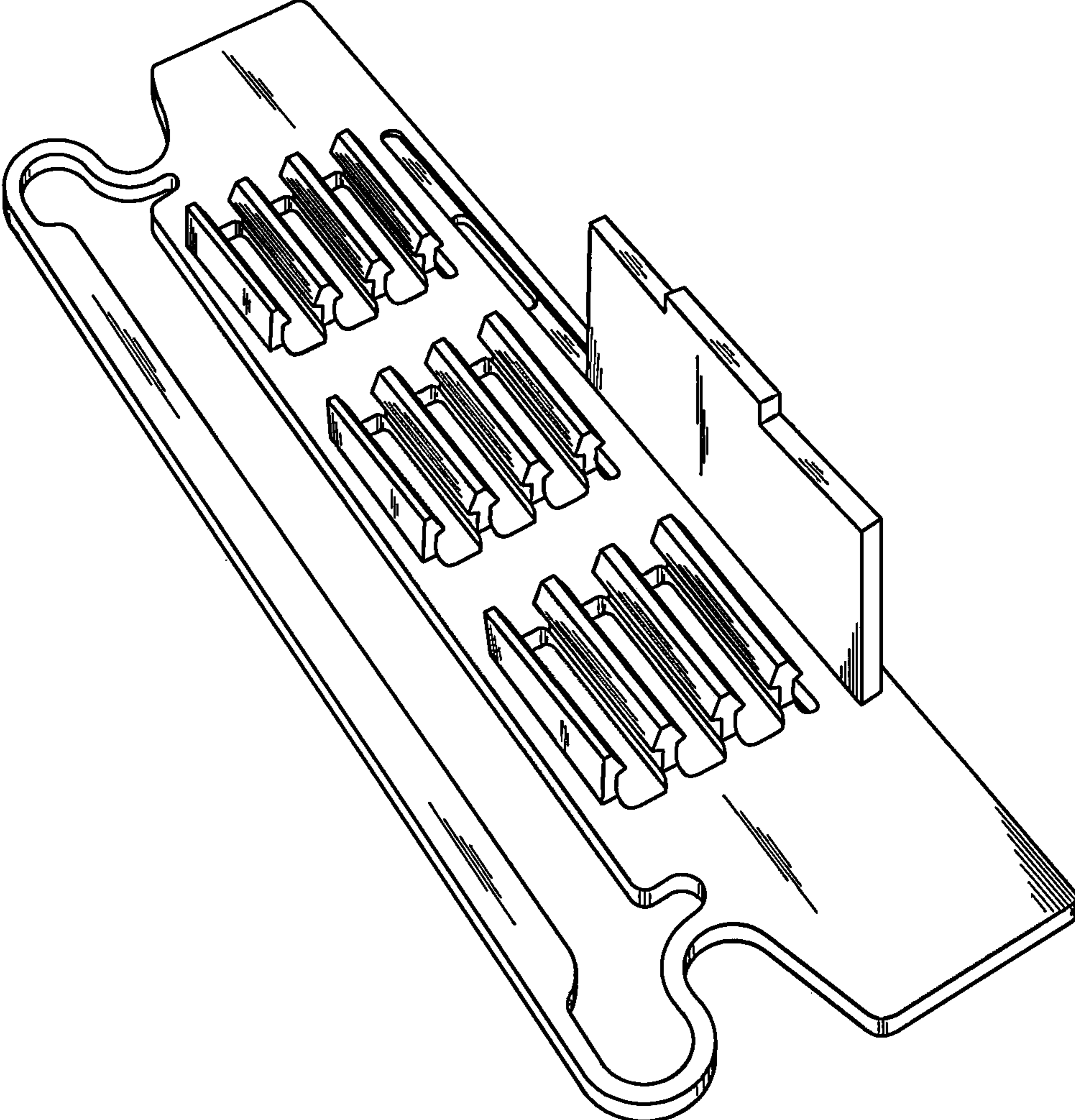


Fig. 1

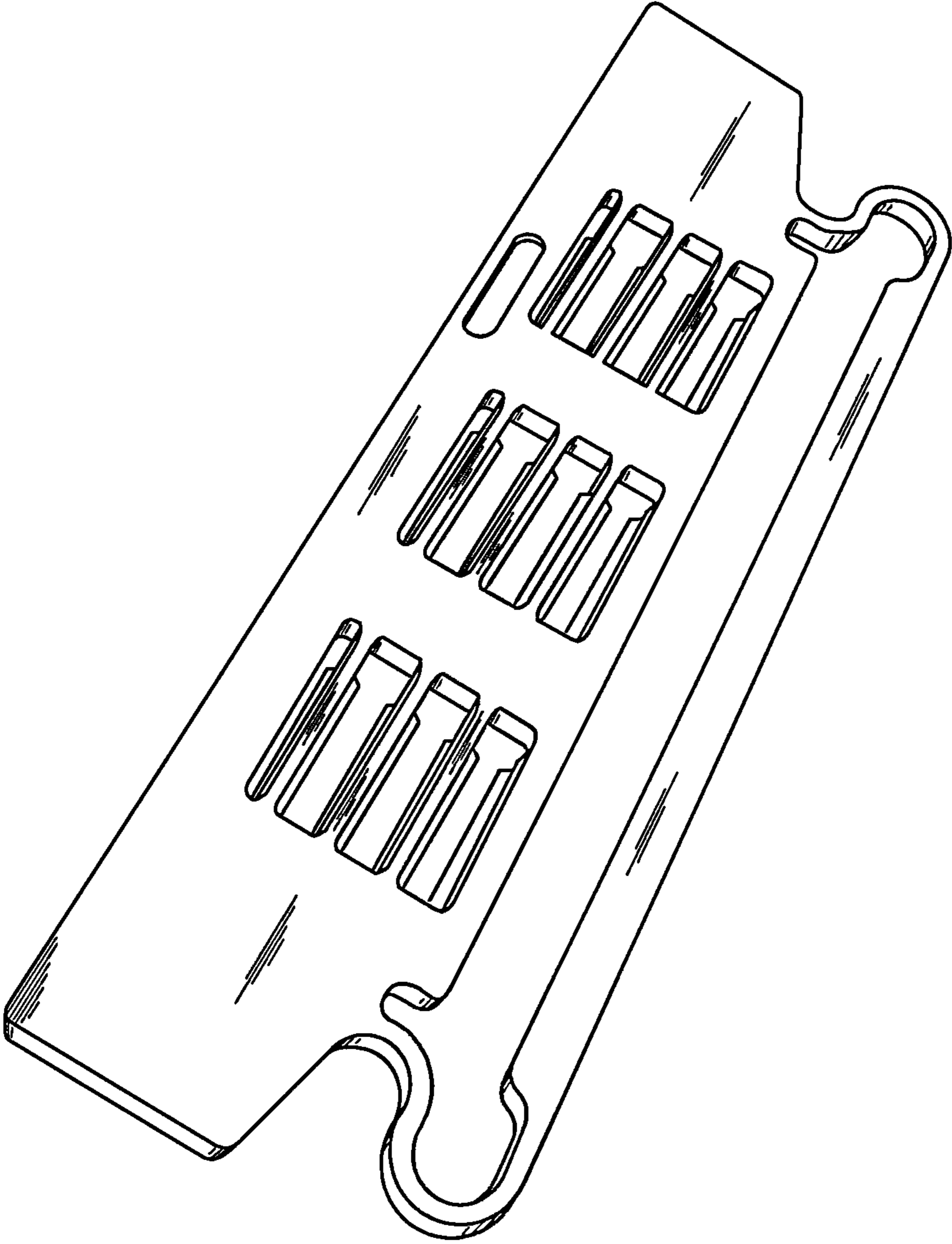


Fig. 2

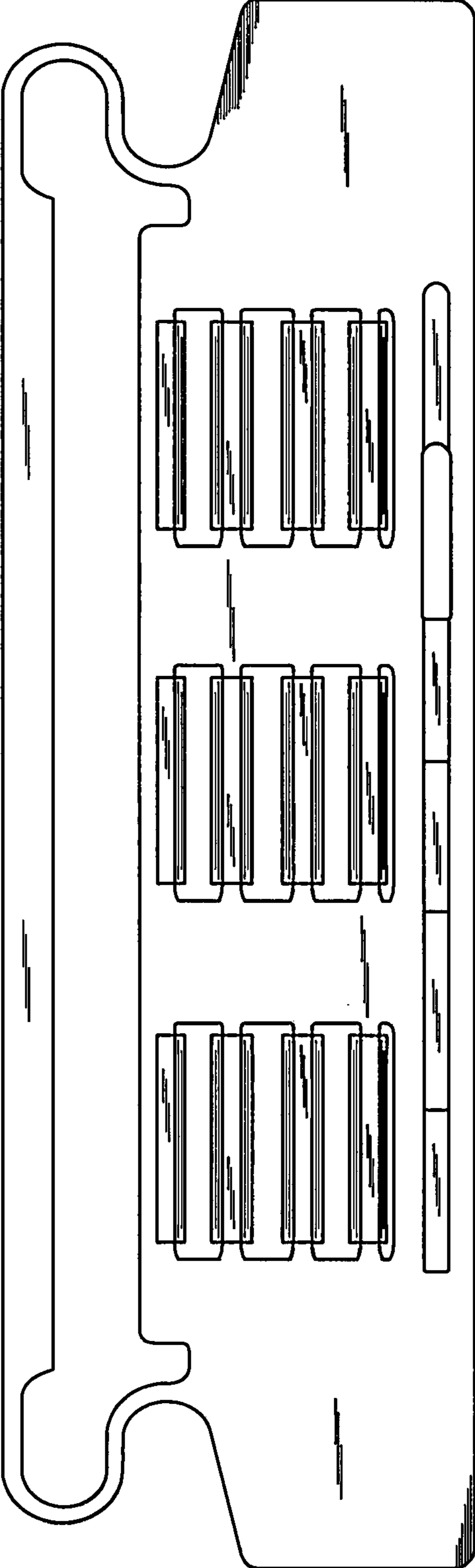


Fig. 3

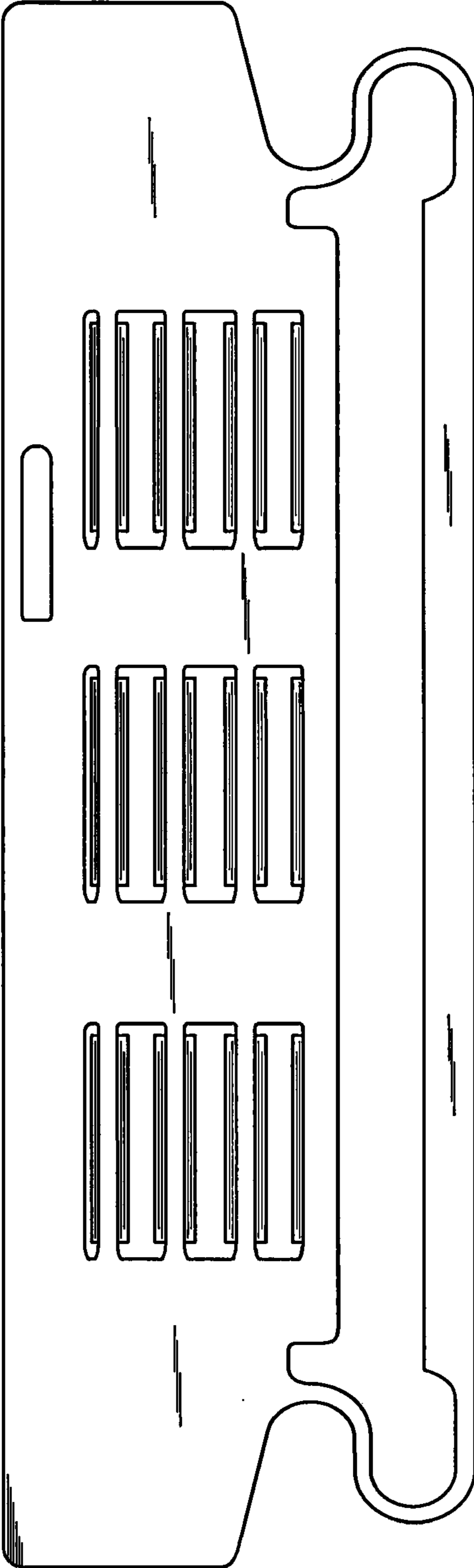


Fig. 4

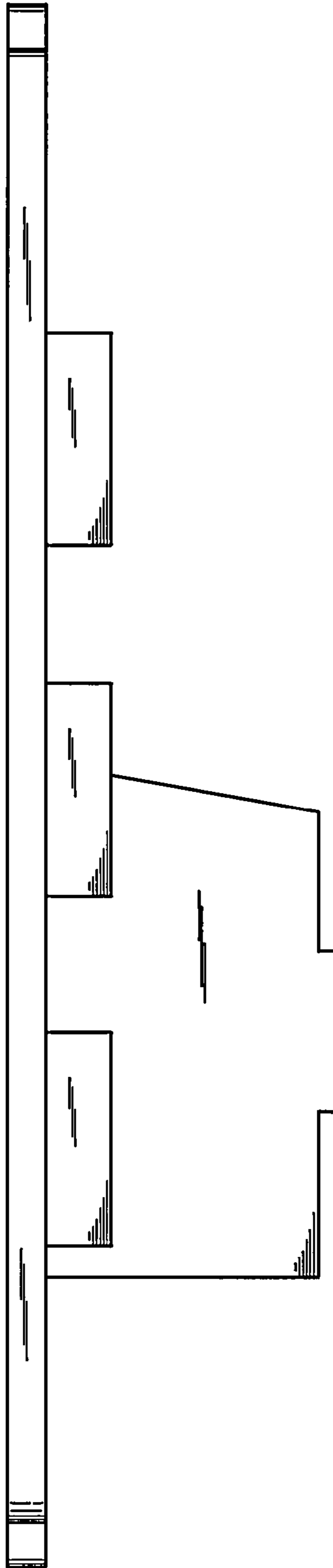


Fig. 5



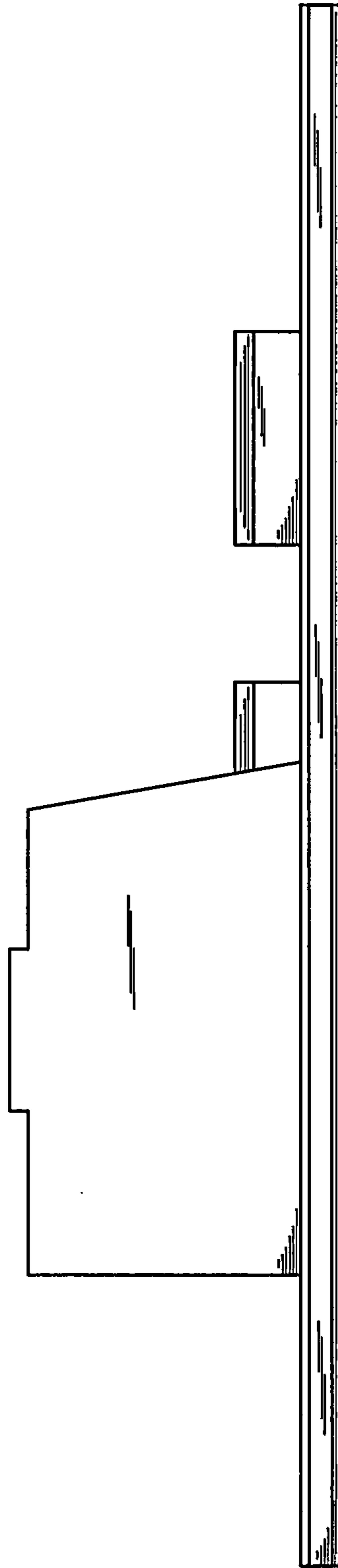


Fig. 6

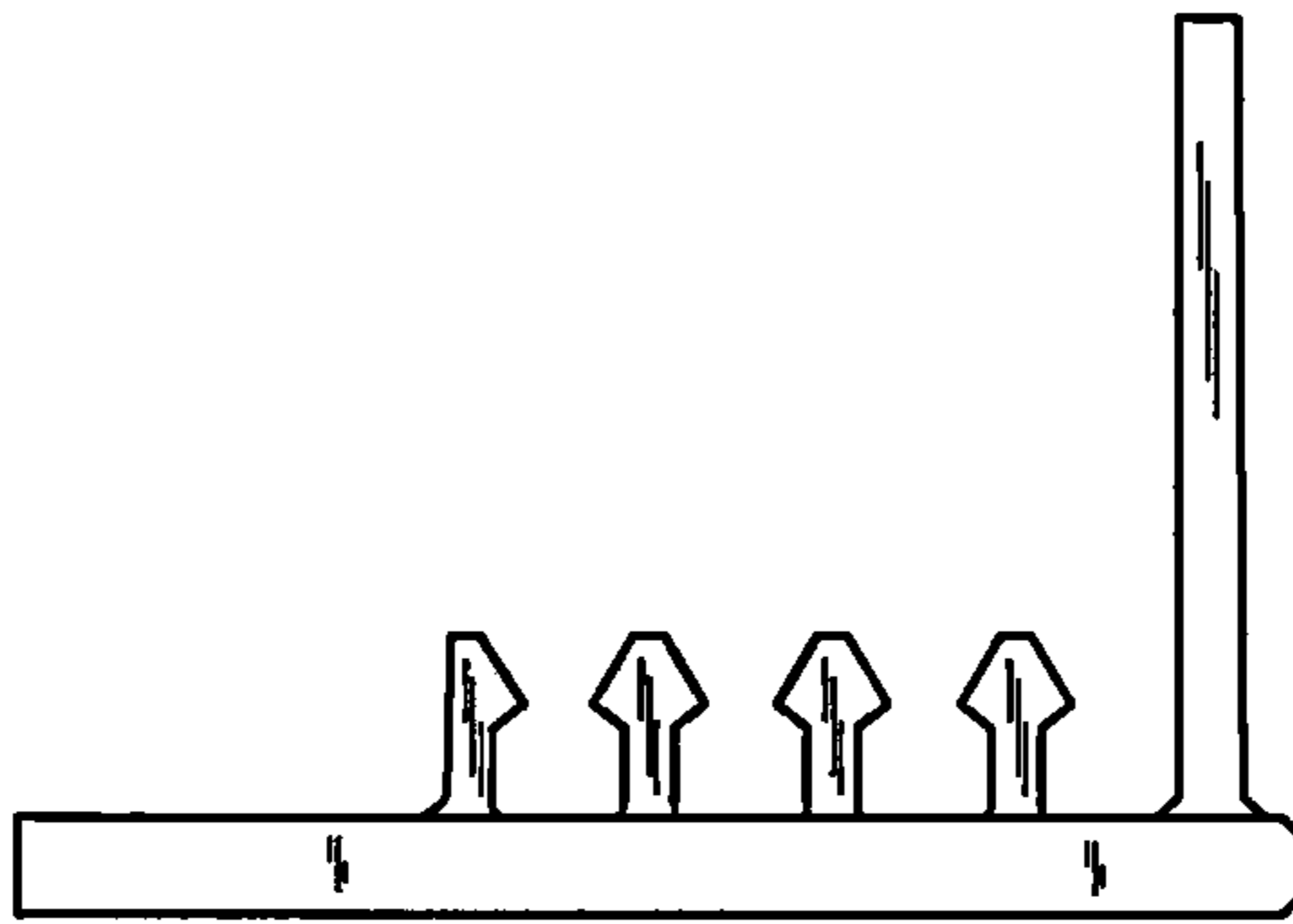


Fig. 7