

US00D699478S

(12) **United States Design Patent**
Snider

(10) **Patent No.:** **US D699,478 S**

(45) **Date of Patent:** **** Feb. 18, 2014**

(54) **WALL MOUNTABLE TWO TIER BASKET**

D627,969 S * 11/2010 Klein et al. D6/566
D653,068 S * 1/2012 Klein et al. D6/566

(71) Applicant: **MSA Products, Inc.**, Nyack, NY (US)

* cited by examiner

(72) Inventor: **Martin Snider**, New City, NY (US)

Primary Examiner — Brian N Vinson

(73) Assignee: **MSA Products, Inc.**, Nyack, NY (US)

(74) *Attorney, Agent, or Firm* — Gerald E. Hespos; Michael J. Porco; Matthew T. Hespos

(**) Term: **14 Years**

(57) **CLAIM**

The ornamental design for a wall mountable two tier basket, as shown and described.

(21) Appl. No.: **29/455,558**

DESCRIPTION

(22) Filed: **May 22, 2013**

(51) **LOC (10) Cl.** **06-04**

(52) **U.S. Cl.**

USPC **D6/566**

(58) **Field of Classification Search**

USPC D6/524, 525, 566, 536–537, 540;
211/13.1, 74, 71.01, 86.01, 75, 88.01,
211/90.01, 90.03, 106, 119, 126.1, 133.5,
211/181.1, 134

See application file for complete search history.

FIG. 1 is a top, front, and right side perspective view of a wall mountable two tier basket showing a first embodiment of my new design, the broken-line disclosure of a suction cup being for illustrative purposes only and forming no part of the claimed design;

FIG. 2 is an additional top, front, and right side perspective view thereof;

FIG. 3 is a top plan view thereof;

FIG. 4 is a front elevational view thereof;

FIG. 5 is a right side elevational view thereof, with the left side elevational view being a mirror image;

FIG. 6 is a rear elevational view thereof; and

FIG. 7 is bottom plan view thereof;

FIG. 8 is a top, front, and right side perspective view of a wall mountable two tier basket showing a second embodiment of my new design, the broken-line disclosure of suction cups being for illustrative purposes only and forming no part of the claimed design; and,

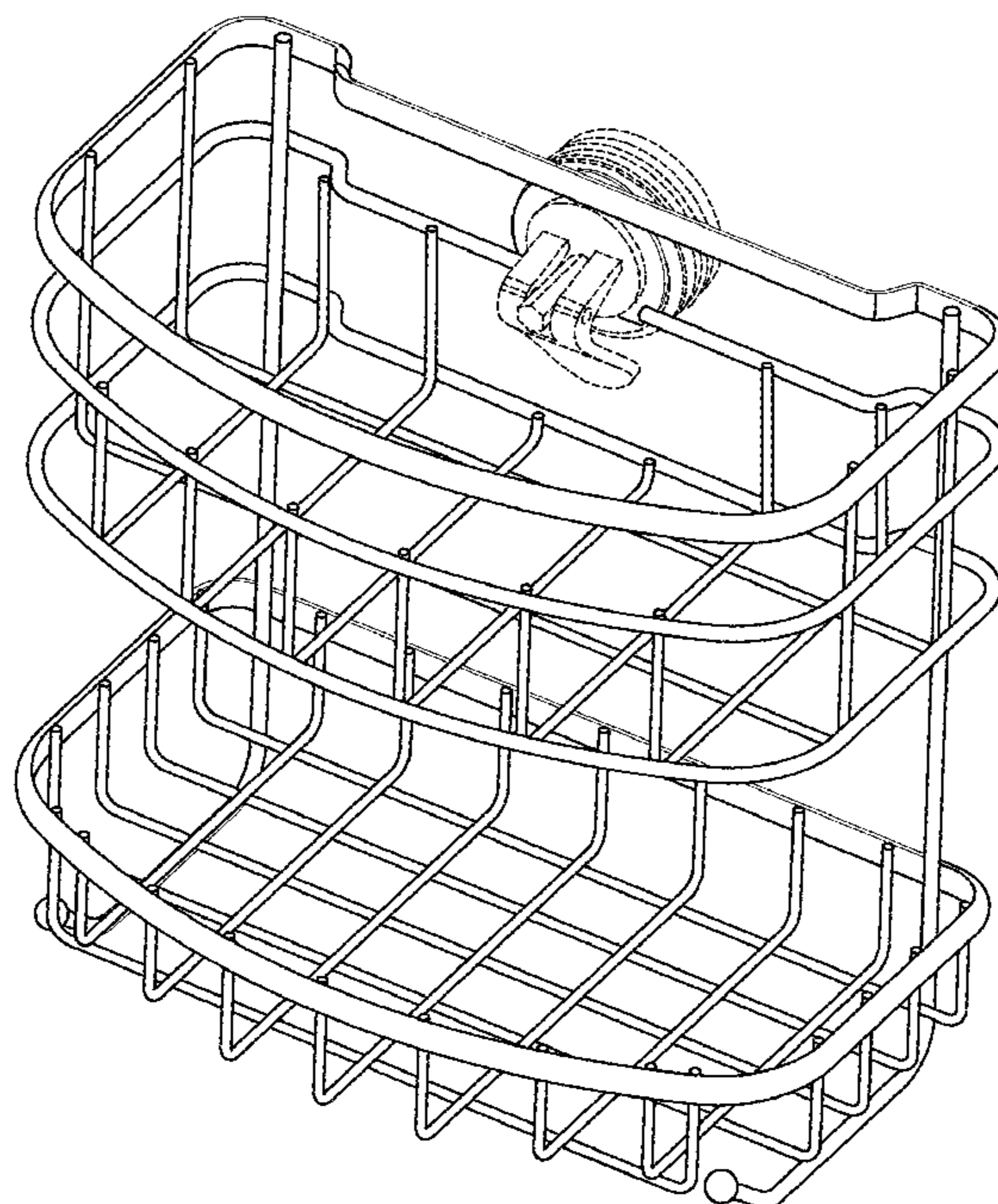
FIG. 9 is an additional top, front, and right side perspective view thereof.

(56) **References Cited**

U.S. PATENT DOCUMENTS

D508,167 S * 8/2005 Anderson et al. D6/566
D530,948 S * 10/2006 Snell D6/525
D579,254 S * 10/2008 Dominique et al. D6/566
D612,648 S * 3/2010 Guindi D6/566
D616,235 S * 5/2010 Guindi D6/525

1 Claim, 9 Drawing Sheets



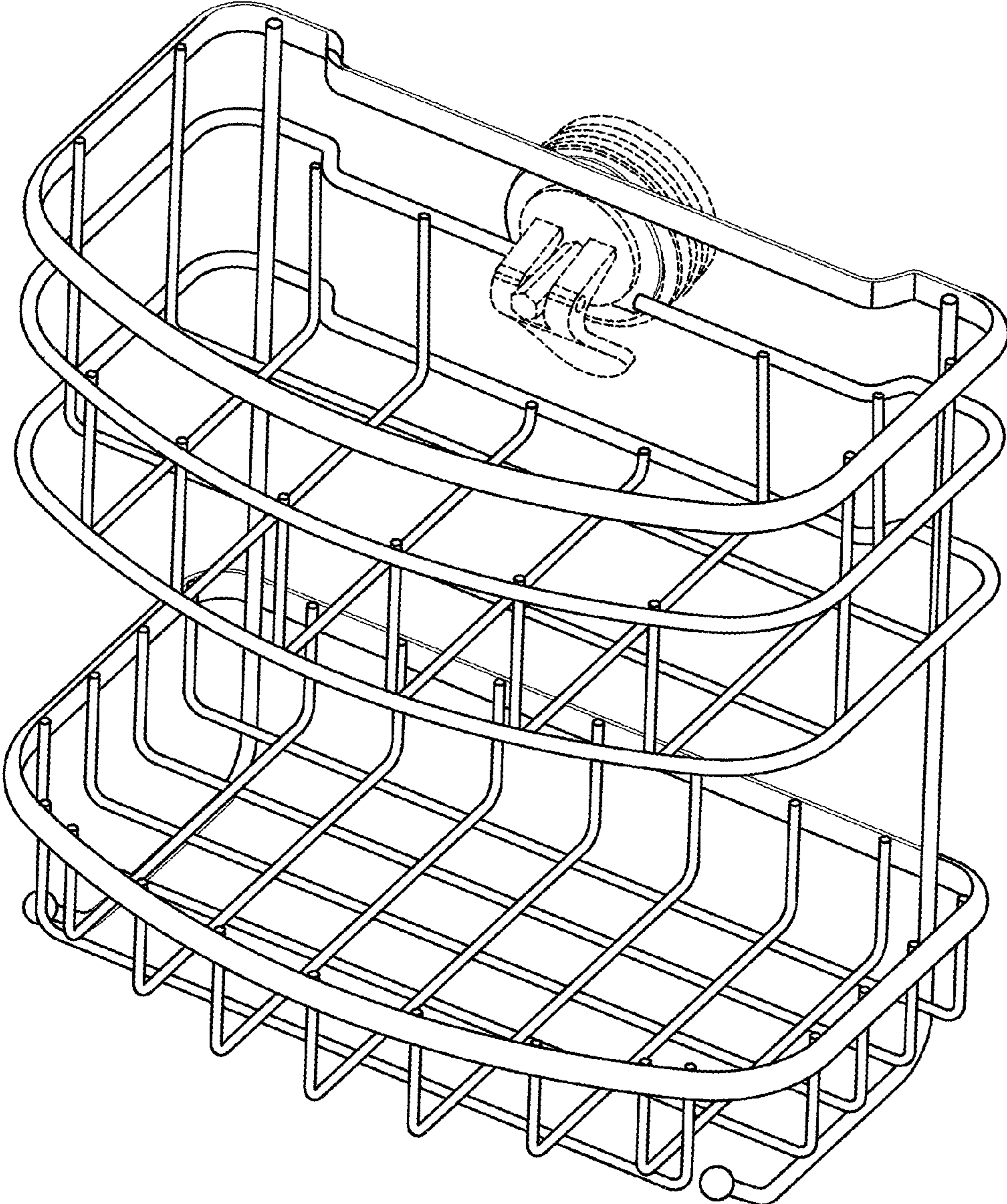


FIG. 1

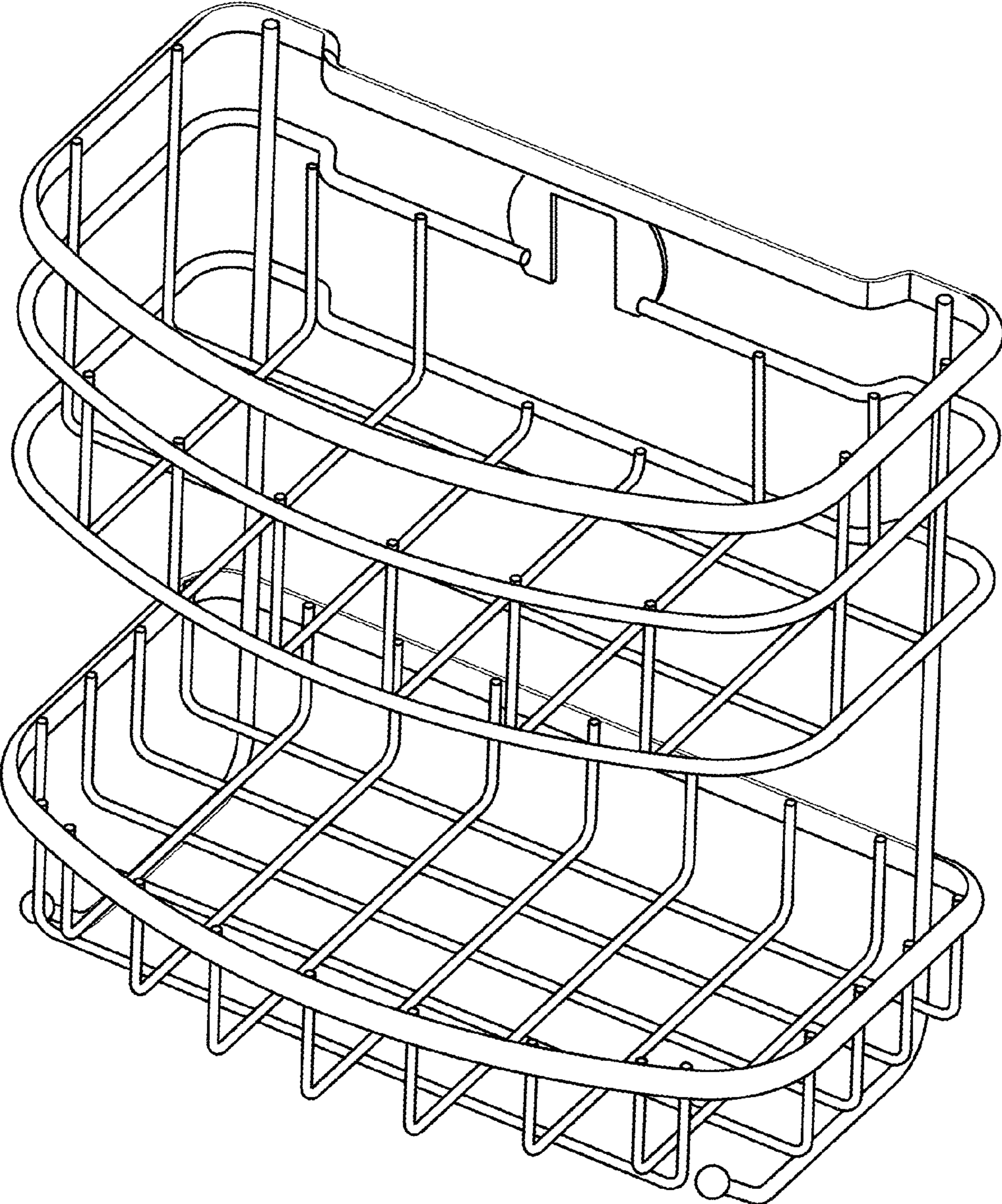


FIG.2

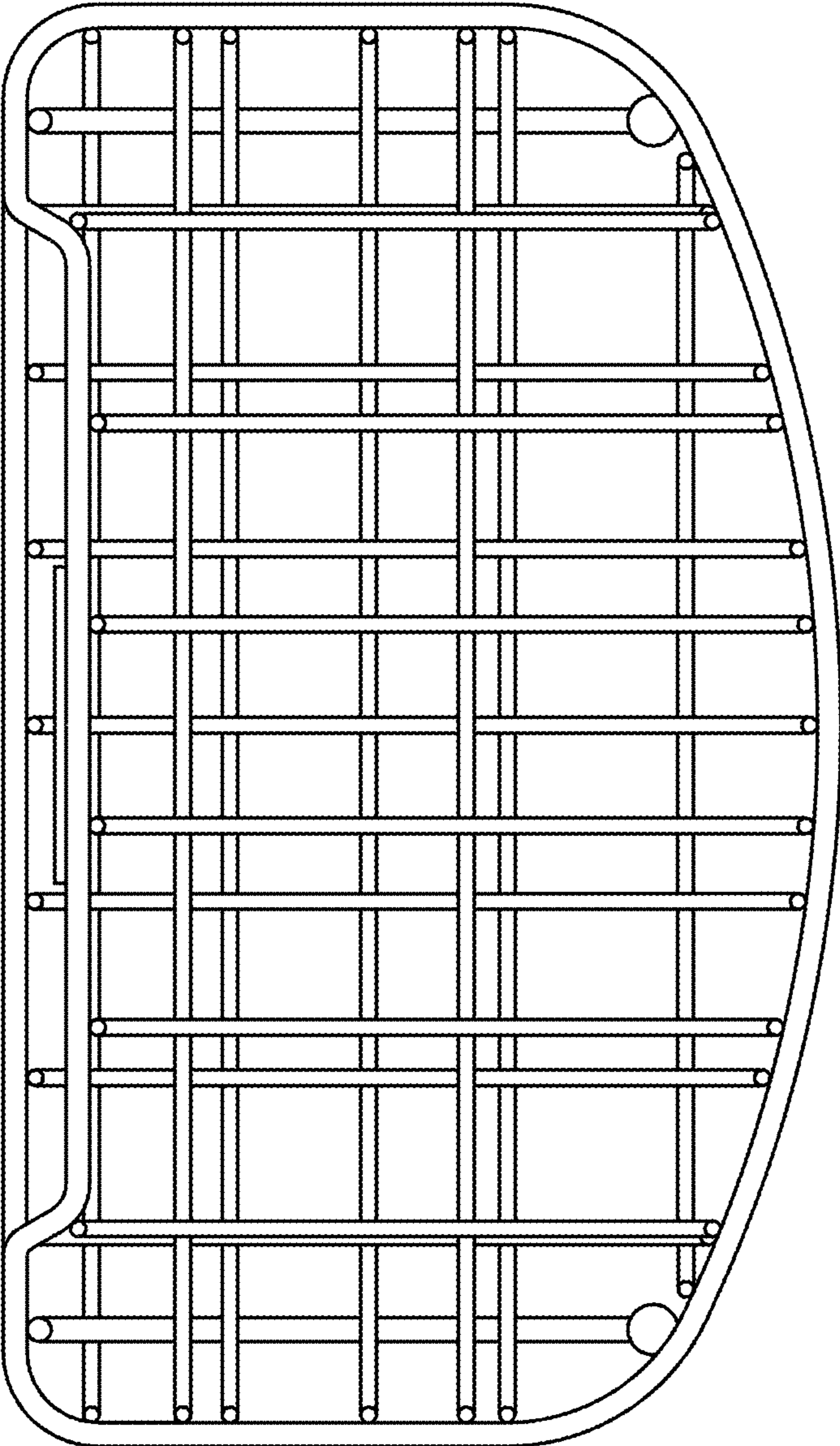


FIG. 3

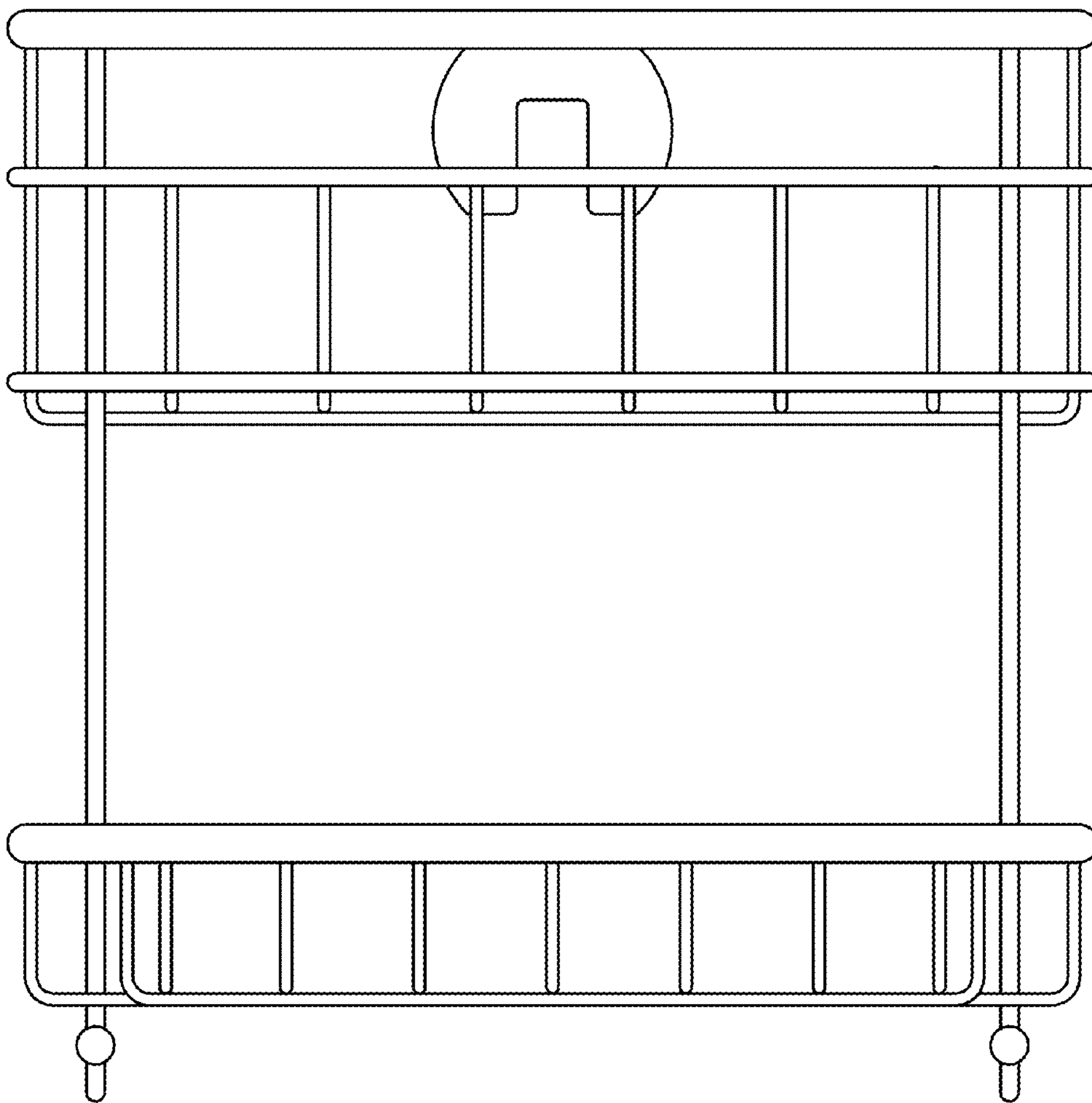


FIG.4

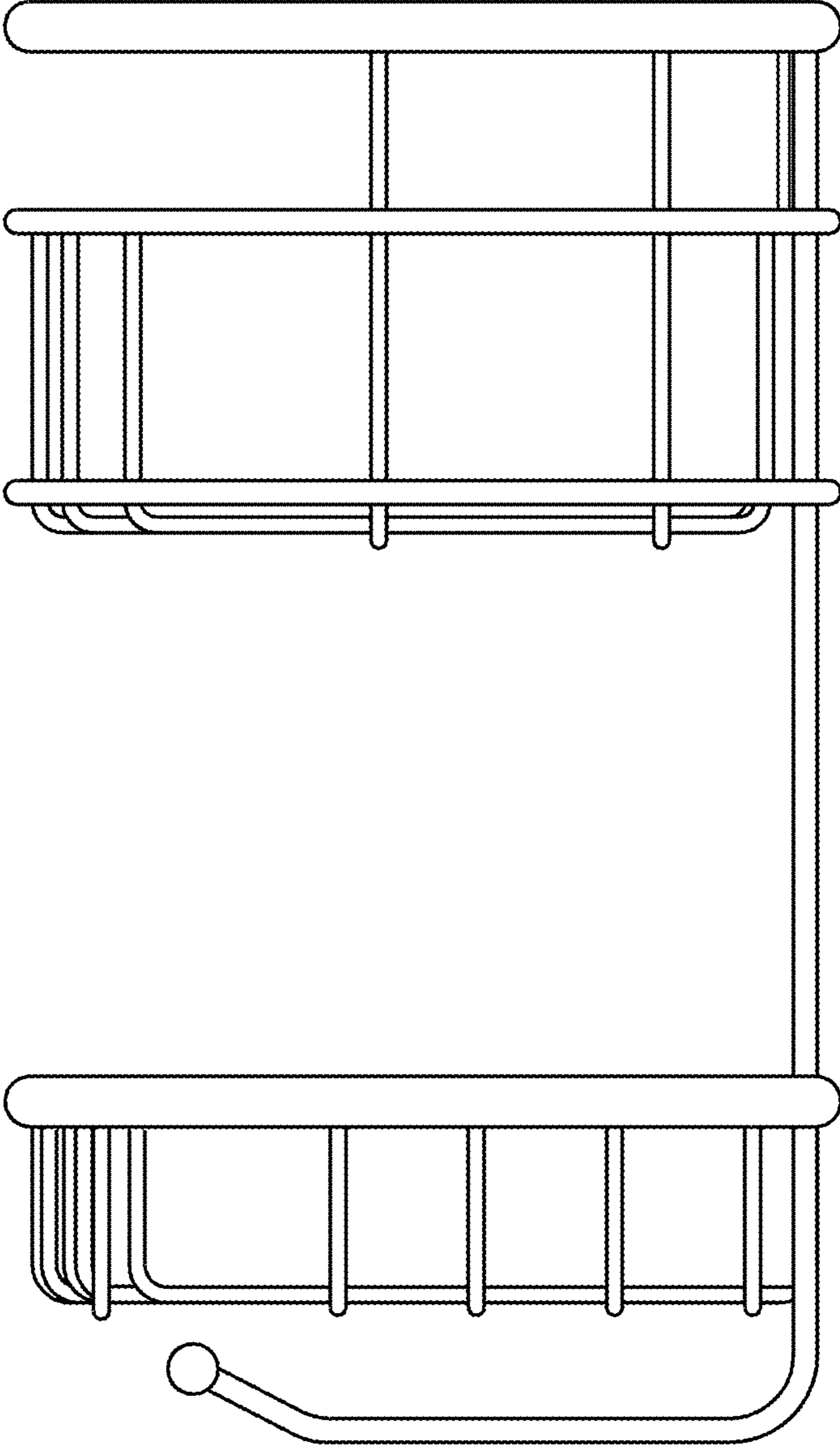


FIG.5

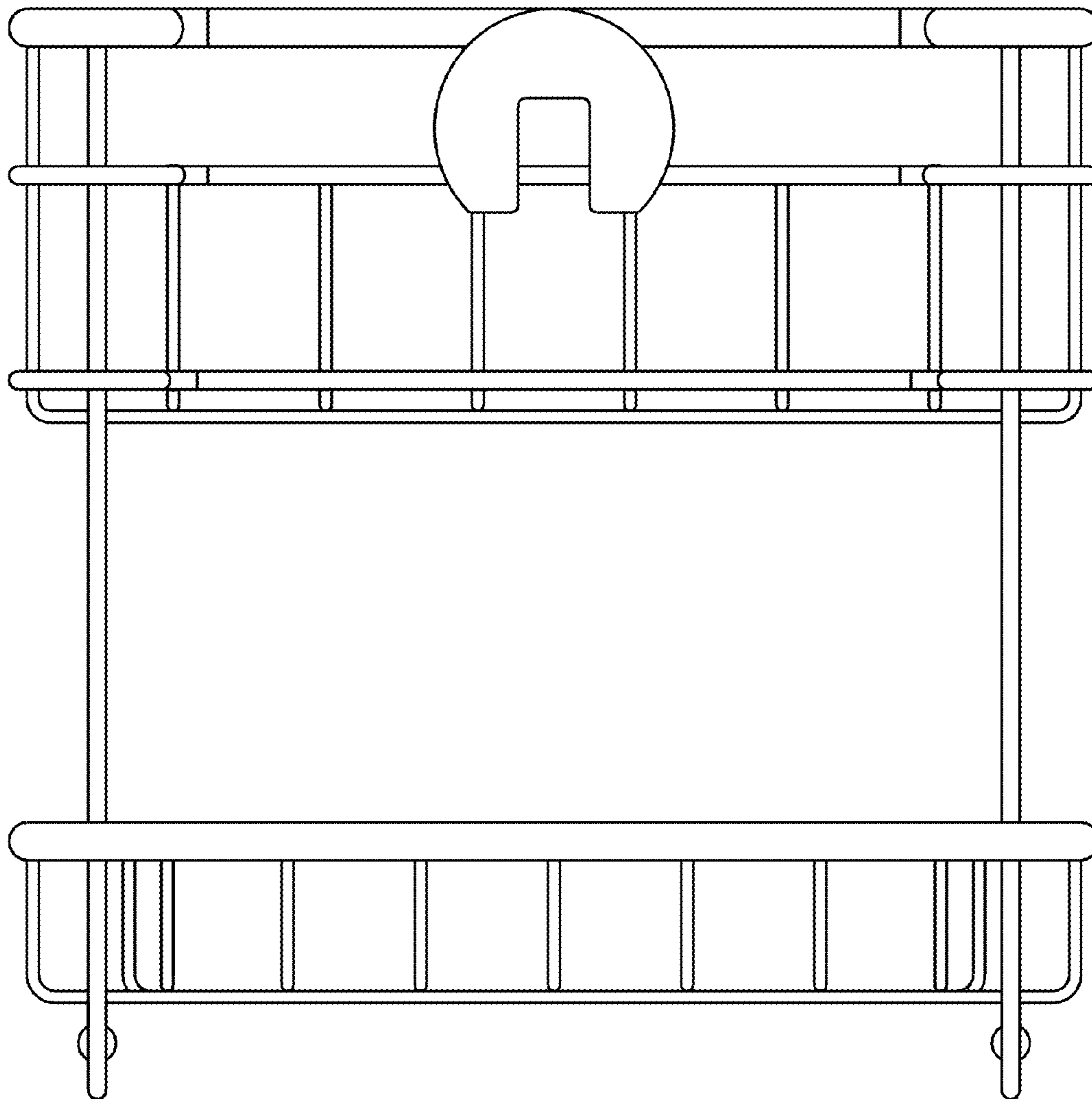


FIG.6

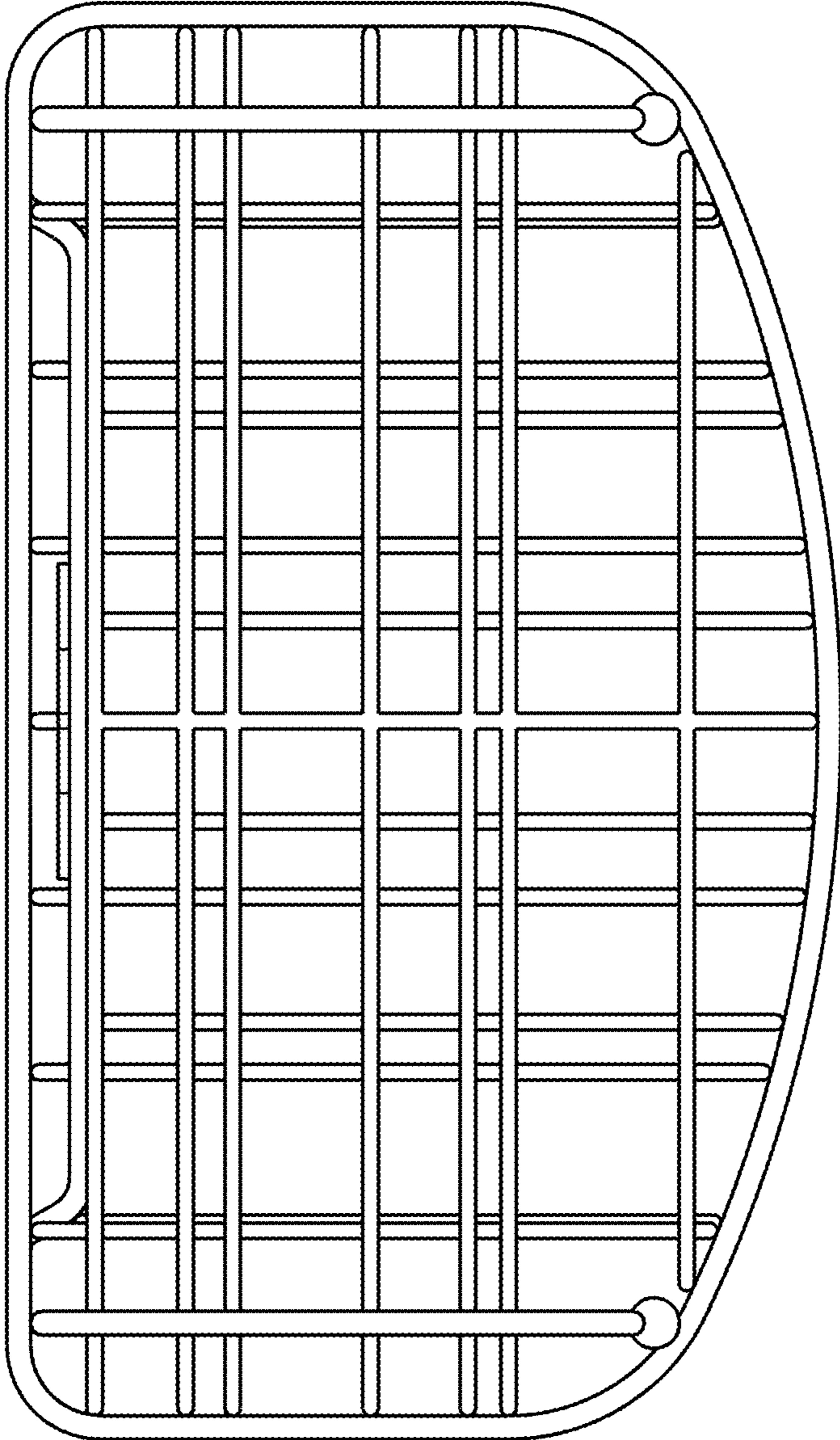


FIG. 7

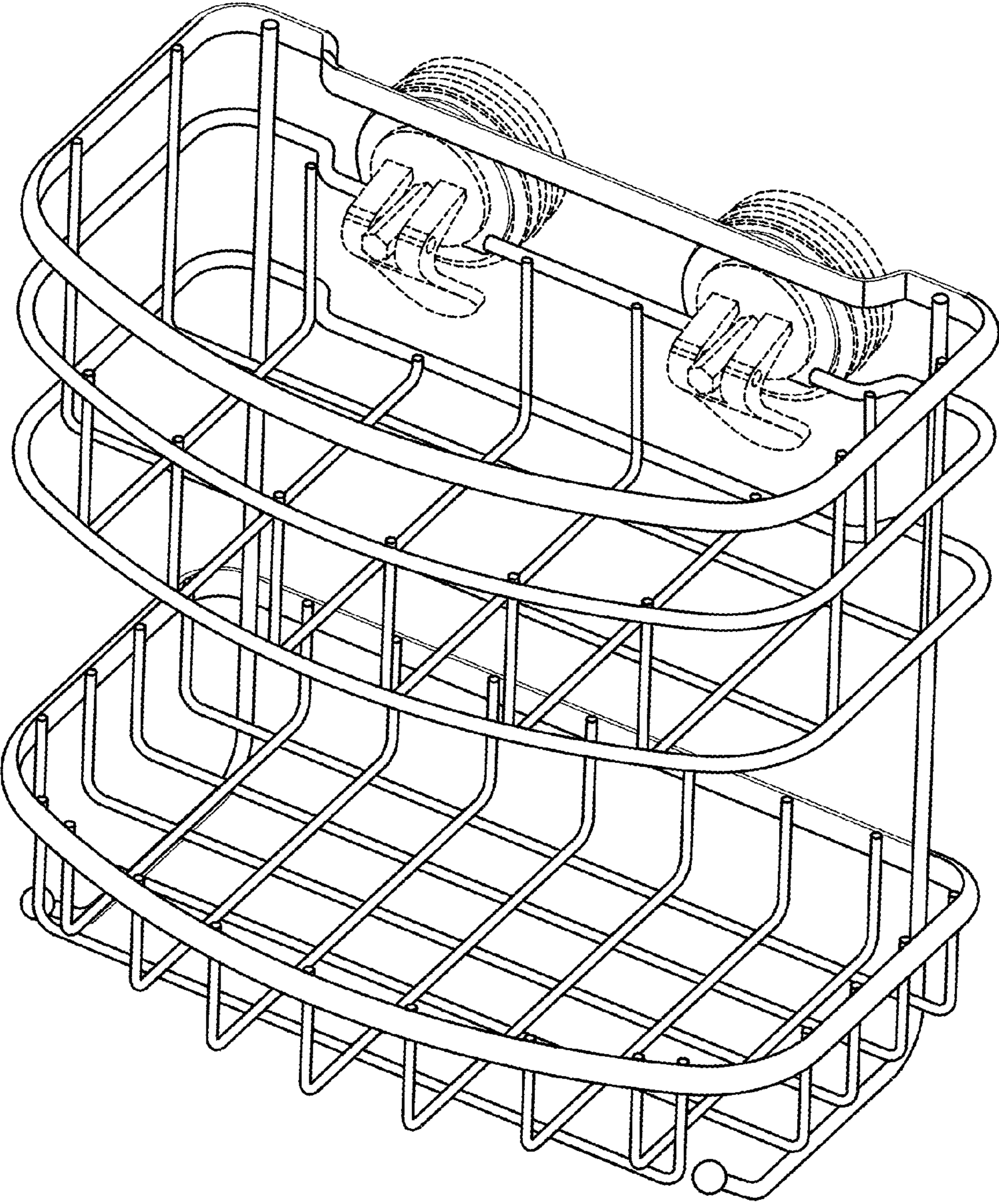


FIG.8

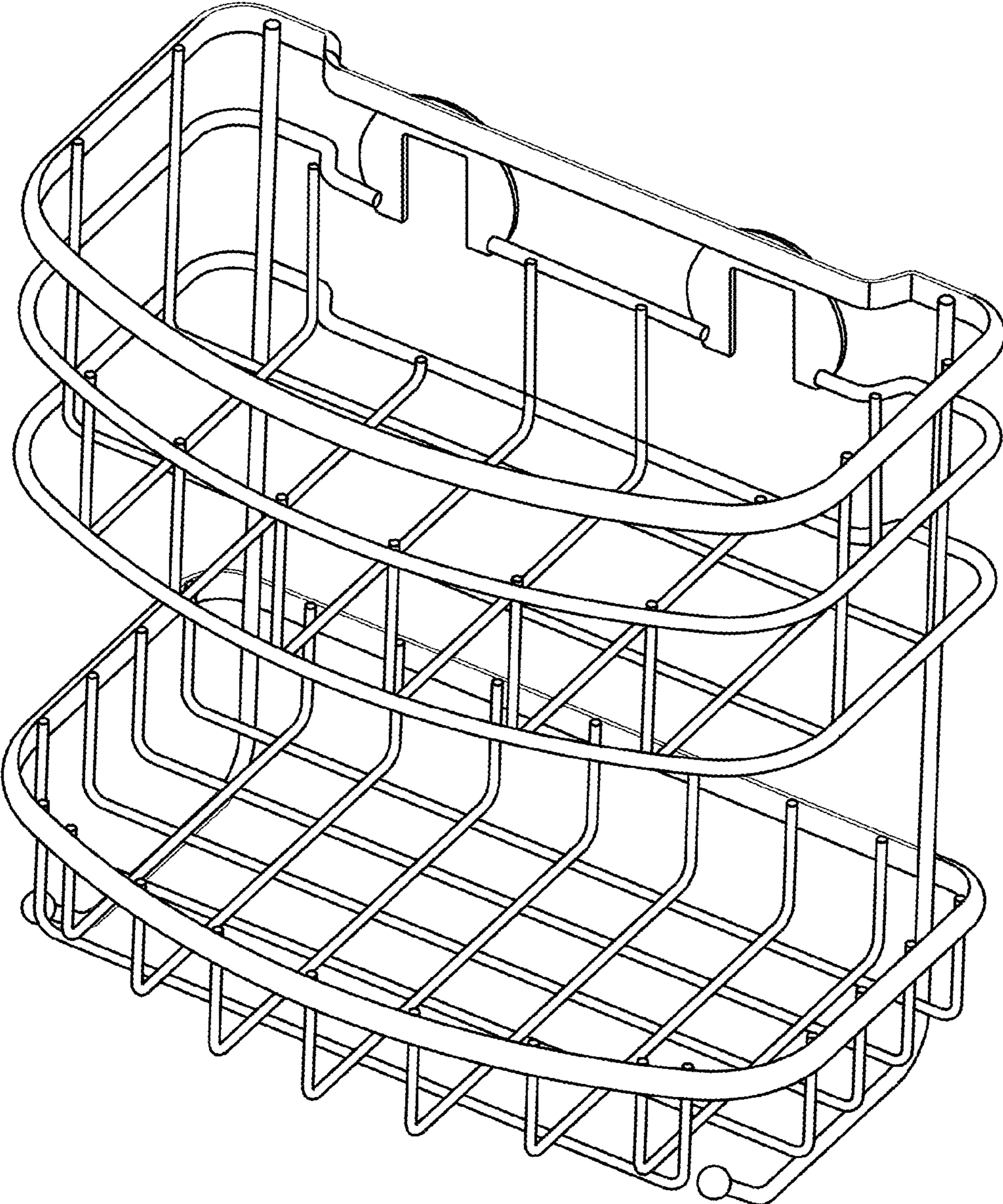


FIG. 9