



US00D699477S

(12) **United States Design Patent**
Allen

(10) **Patent No.:** **US D699,477 S**
(45) **Date of Patent:** **** Feb. 18, 2014**

(54) **FISHING POLE RACK**

(71) Applicant: **John Allen**, Mount Forest (CA)

(72) Inventor: **John Allen**, Mount Forest (CA)

(**) Term: **14 Years**

(21) Appl. No.: **29/439,197**

(22) Filed: **Dec. 7, 2012**

(51) **LOC (10) Cl.** **08-08**

(52) **U.S. Cl.**
USPC **D6/552**

(58) **Field of Classification Search**
USPC D6/552, 553, 567, 396; D22/109;
211/13.1, 60.1, 64, 70.2, 70.6, 70.8;
248/512, 520, 538; 43/21.2
See application file for complete search history.

(56) **References Cited**

U.S. PATENT DOCUMENTS

3,701,504	A	10/1972	Woods et al.	
5,152,494	A	10/1992	Frunzar	
5,557,877	A	9/1996	Colson	
5,913,673	A	6/1999	Womac	
6,983,560	B2	1/2006	Williams	
7,159,354	B1	1/2007	White	
D622,086	S *	8/2010	Leung	D6/552

D661,150	S *	6/2012	Cardenas	D6/552
D677,091	S *	3/2013	Monro	D6/552
D688,490	S *	8/2013	Pepe	D6/552

* cited by examiner

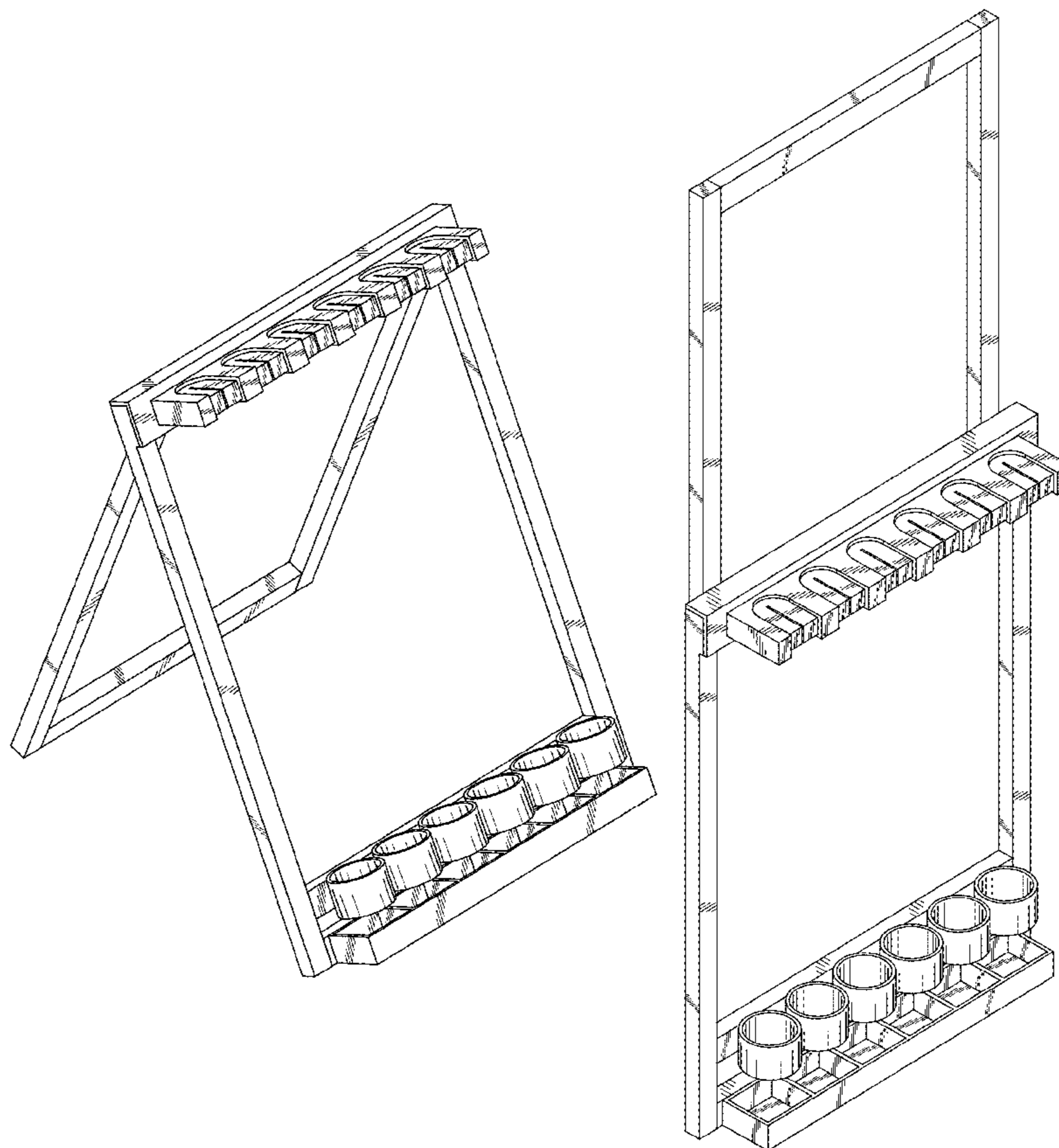
Primary Examiner — Brian N Vinson
(74) *Attorney, Agent, or Firm* — Robert C. Montgomery;
Montgomery Patent & Design

(57) **CLAIM**
The ornamental design for a fishing pole rack, as shown and described.

DESCRIPTION

FIG. 1 is a front perspective view of a fishing pole rack in a closed state, showing my new design;
FIG. 2 is a front perspective view of the fishing pole rack in a folded state;
FIG. 3 is an front perspective view of the fishing pole rack in an open state;
FIG. 4 is a front view of FIG. 3;
FIG. 5 is a rear view of FIG. 3;
FIG. 6 is a left view of FIG. 3, with a right view being a mirror image;
FIG. 7 is a top view of FIG. 3; and,
FIG. 8 is a bottom view of FIG. 3.

1 Claim, 7 Drawing Sheets



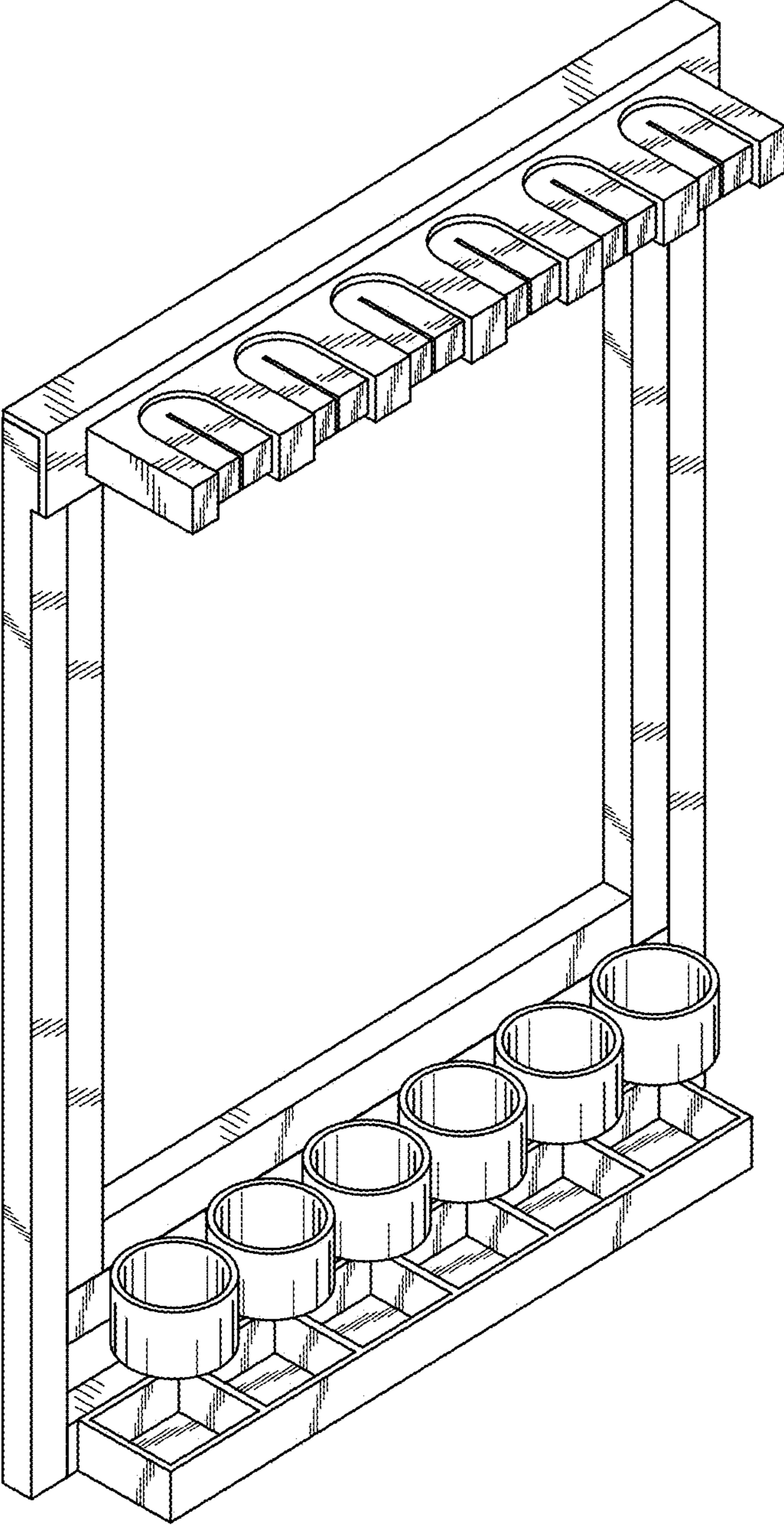


Fig. 1

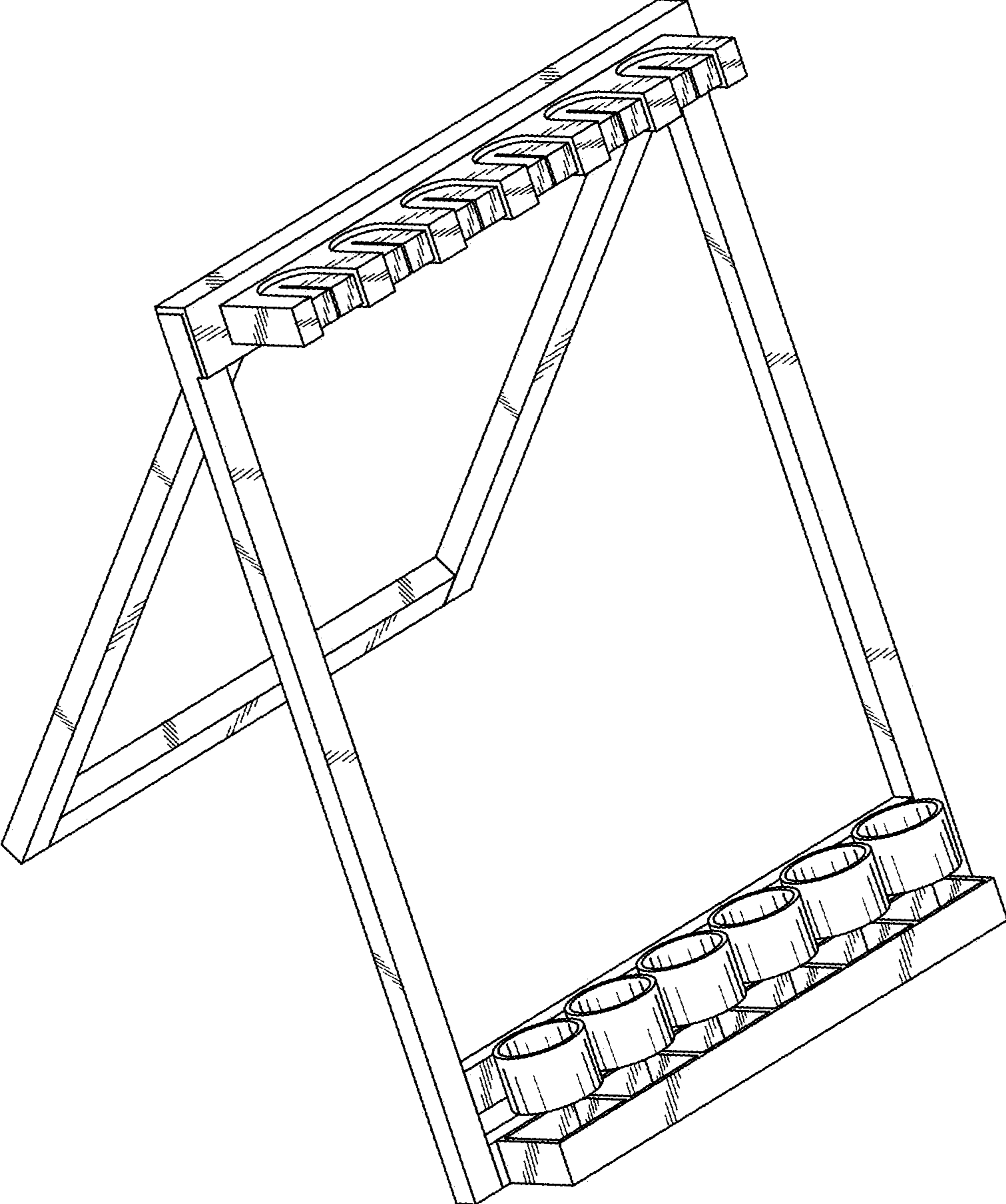


Fig. 2

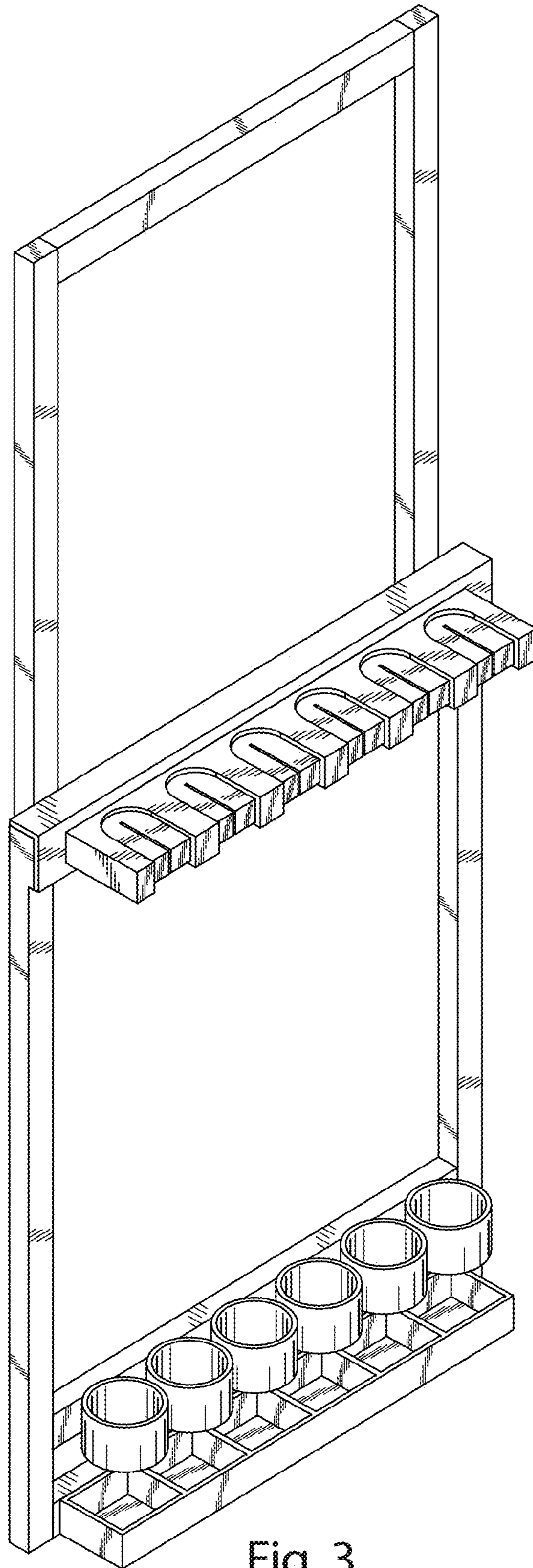


Fig. 3

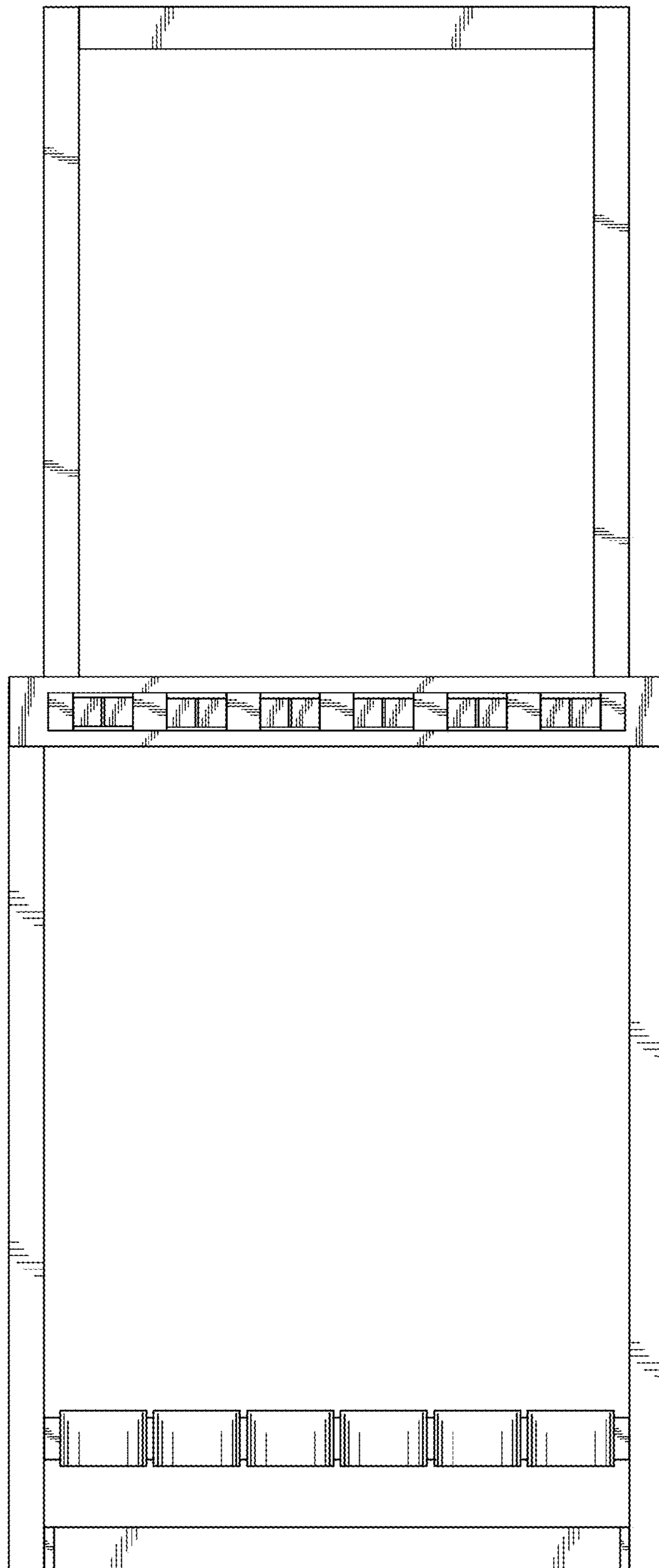


Fig. 4

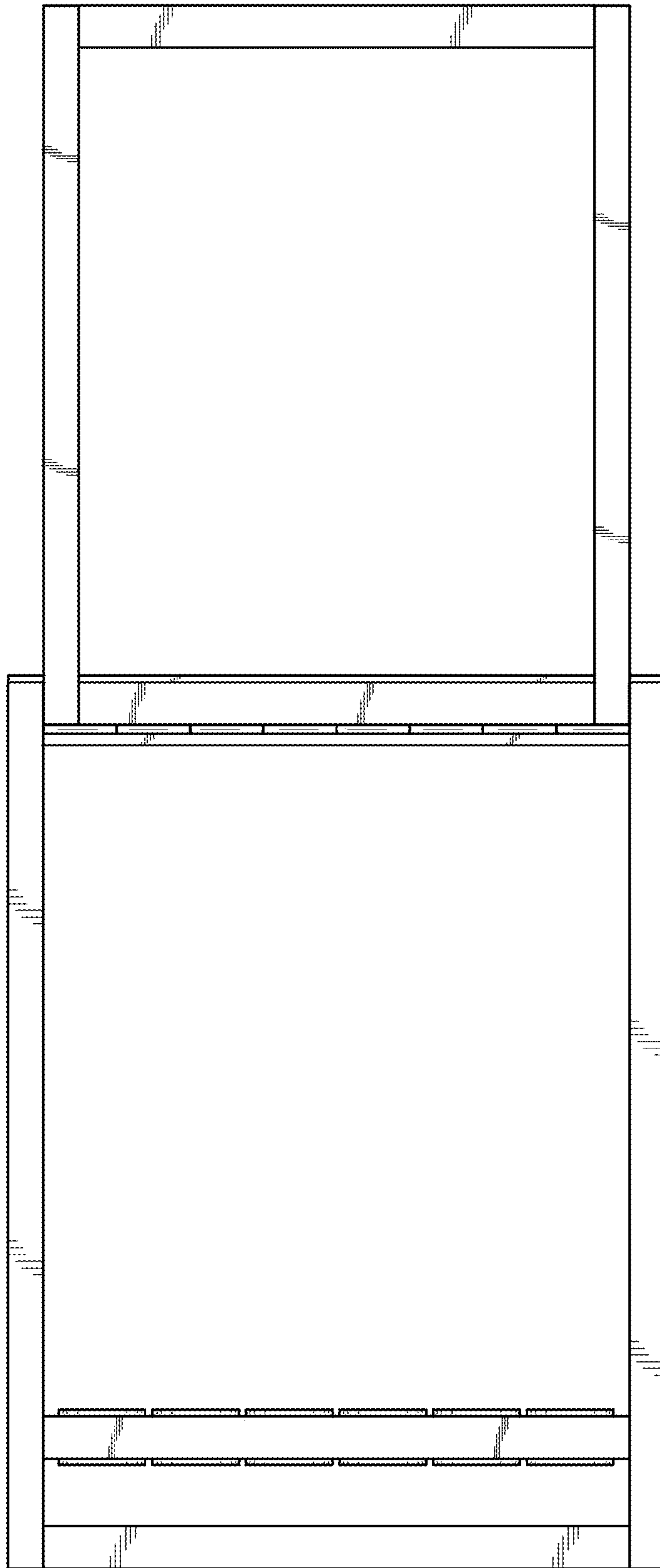


Fig. 5

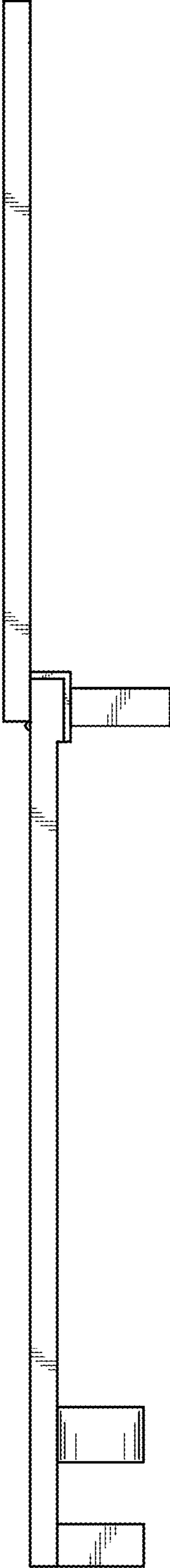


Fig. 6

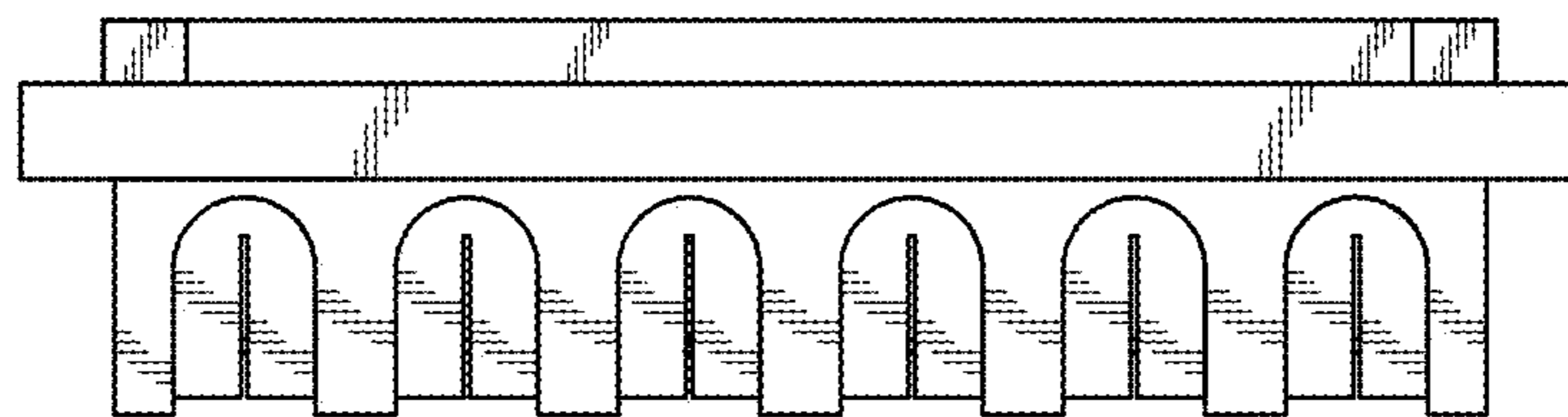


Fig. 7

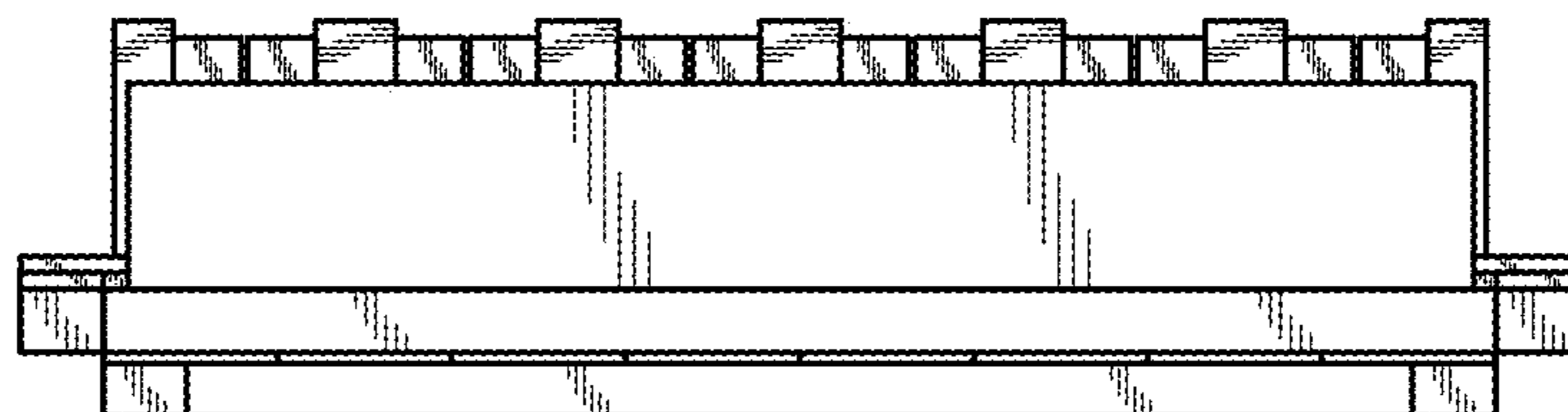


Fig. 8