



US00D699476S

(12) **United States Design Patent**
Gonzalez

(10) **Patent No.:** **US D699,476 S**
(45) **Date of Patent:** **** Feb. 18, 2014**

(54) **ICE CHEST AND FISHING POLE HOLDER WITH UNIVERSAL ATTACHMENTS**

(71) Applicant: **Jorge Alberto Gonzalez**, Corpus Christi, TX (US)

(72) Inventor: **Jorge Alberto Gonzalez**, Corpus Christi, TX (US)

(**) Term: **14 Years**

(21) Appl. No.: **29/434,378**

(22) Filed: **Oct. 12, 2012**

(51) **LOC (10) Cl.** **08-08**

(52) **U.S. Cl.**
USPC **D6/552**

(58) **Field of Classification Search**
USPC D6/552, 553, 567, 396; D22/109;
211/13.1, 60.1, 64, 70.2, 70.6, 70.8;
248/512, 520, 538; 43/21.2
See application file for complete search history.

(56) **References Cited**

U.S. PATENT DOCUMENTS

D248,433 S	7/1978	McCollum
D261,581 S	11/1981	Buchanan
D328,221 S	7/1992	Piccarillo
5,174,058 A	12/1992	Boyer
D352,089 S	11/1994	Barber
5,471,779 A	12/1995	Downey

D372,956 S	8/1996	Mills	
D381,392 S	7/1997	Darling	
D384,391 S	9/1997	Bastian	
D458,878 S *	6/2002	Greco D6/552
6,467,779 B1	10/2002	Mills	
7,155,859 B1	1/2007	Brooks	
D598,689 S *	8/2009	McDonald D6/552
D638,190 S	5/2011	Spann	
D662,745 S *	7/2012	Zalewski D6/552
2002/0070517 A1	6/2002	Ramsey	
2011/0197494 A1	8/2011	Schumacher	
2011/0239525 A1	10/2011	Morales	

* cited by examiner

Primary Examiner — Brian N Vinson

(74) *Attorney, Agent, or Firm* — QuickPatents; Kevin Prince

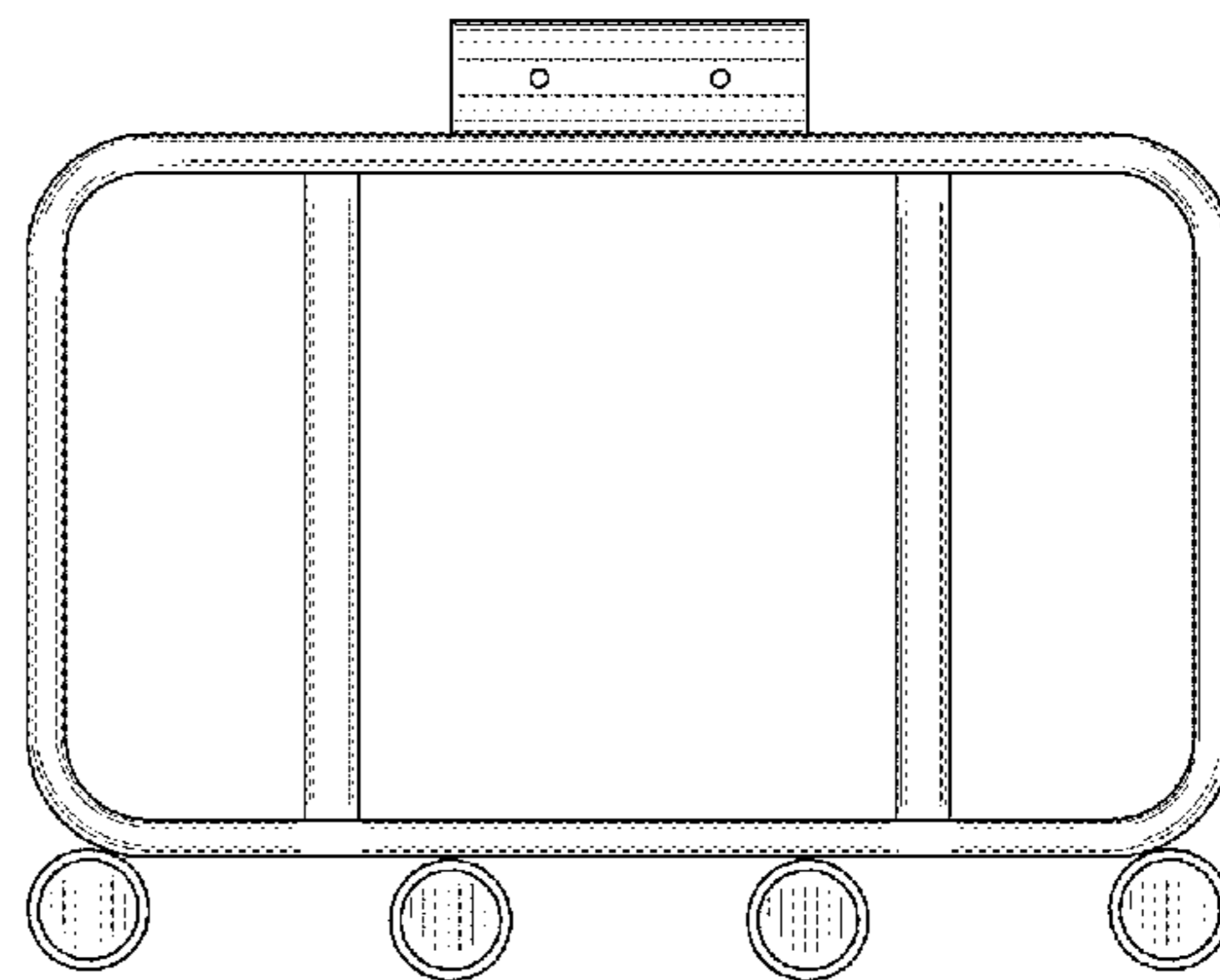
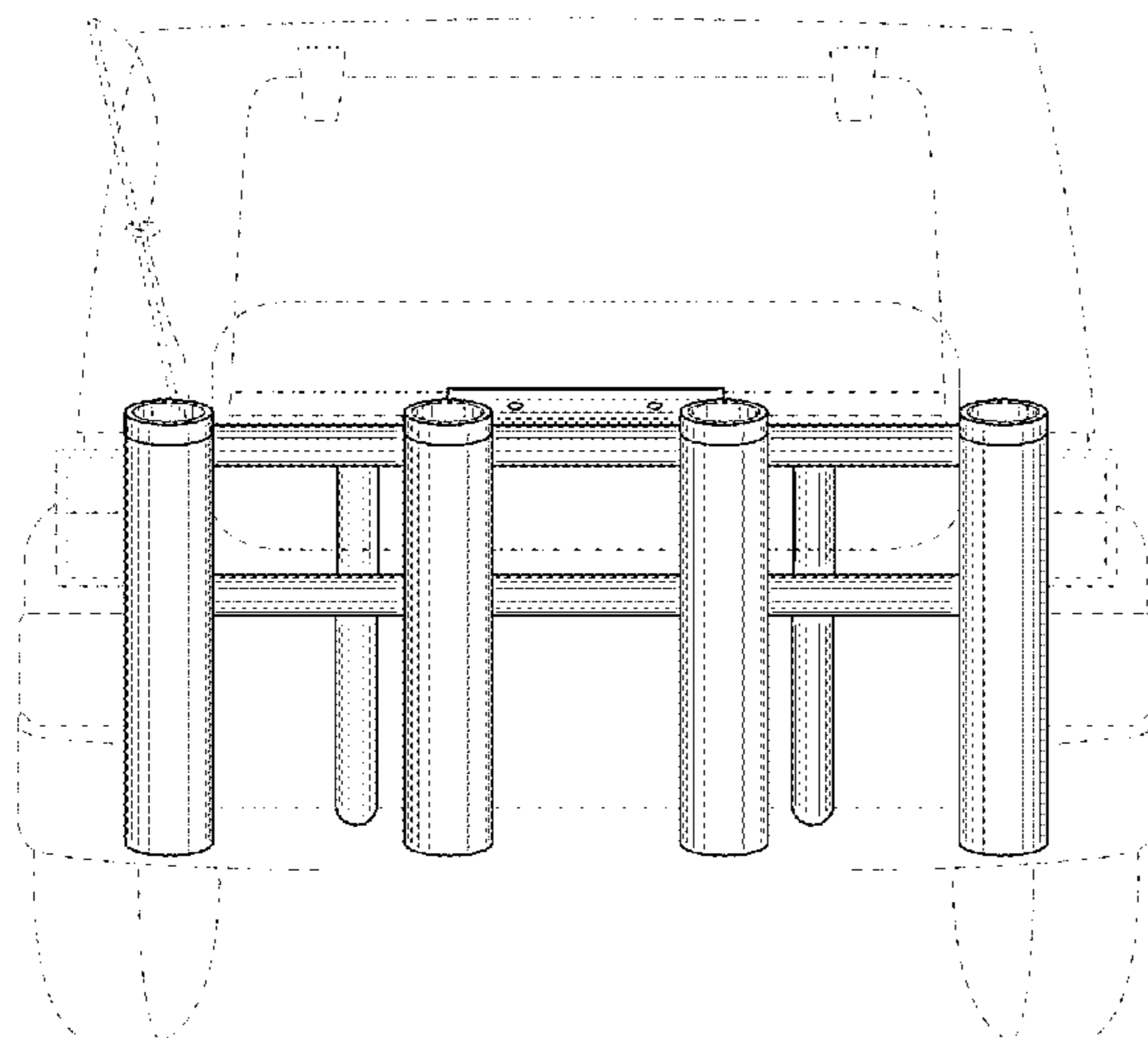
(57) **CLAIM**

I claim the ornamental design for an ice chest and fishing pole holder with universal attachments, as shown and described.

DESCRIPTION

FIG. 1 is a perspective view of an ice chest and fishing pole holder with universal attachments, showing my new design; FIG. 2 is a front elevational view thereof; FIG. 3 is a rear elevational view thereof; FIG. 4 is a right-side elevational view thereof, the left-side elevational view being a mirror image thereof; FIG. 5 is a top plan view thereof; and, FIG. 6 is a bottom plan view thereof. The broken lines showing a truck in FIG. 1 depict environmental matter and form no part of the claimed design.

1 Claim, 3 Drawing Sheets



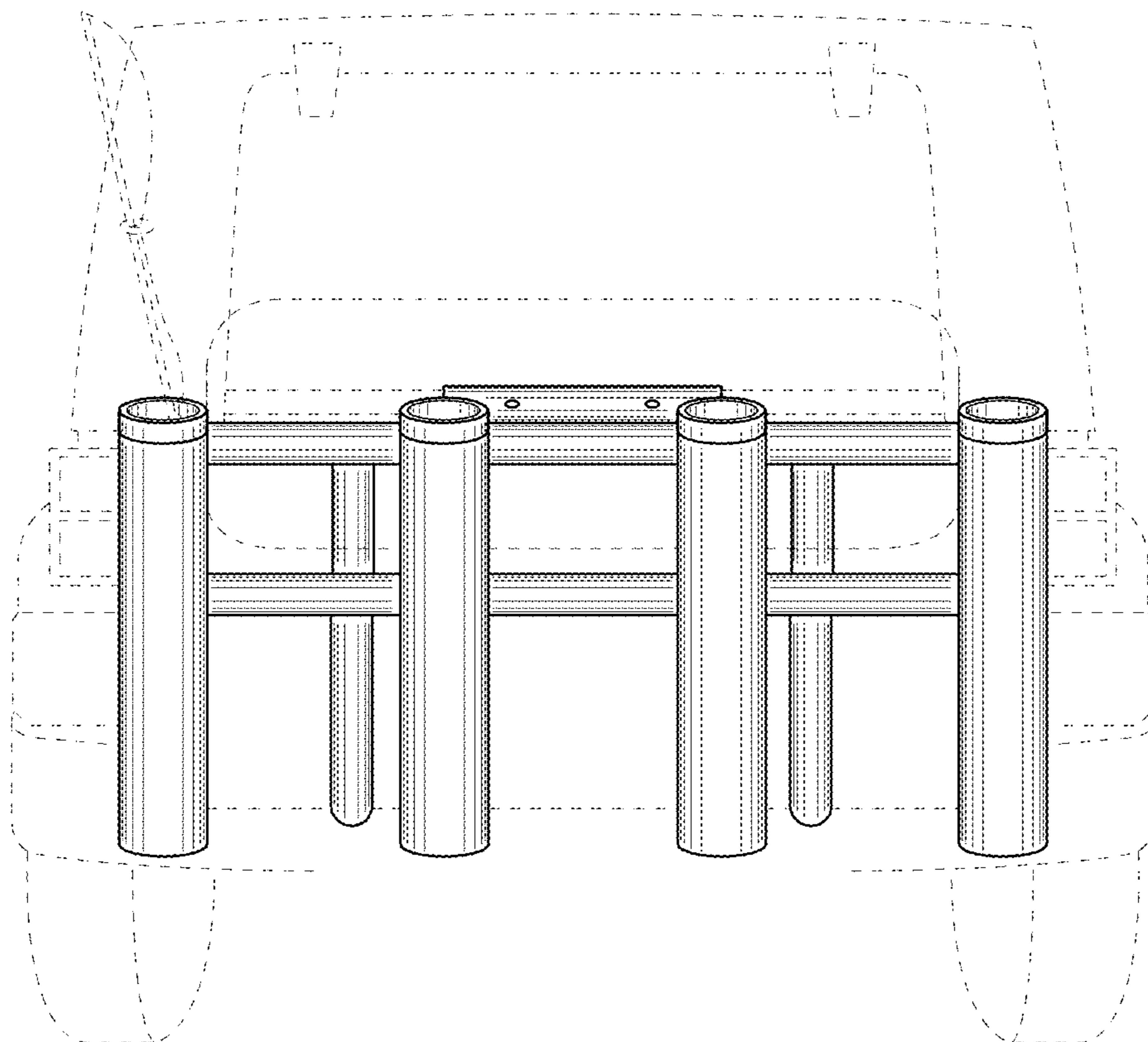


FIG. 1

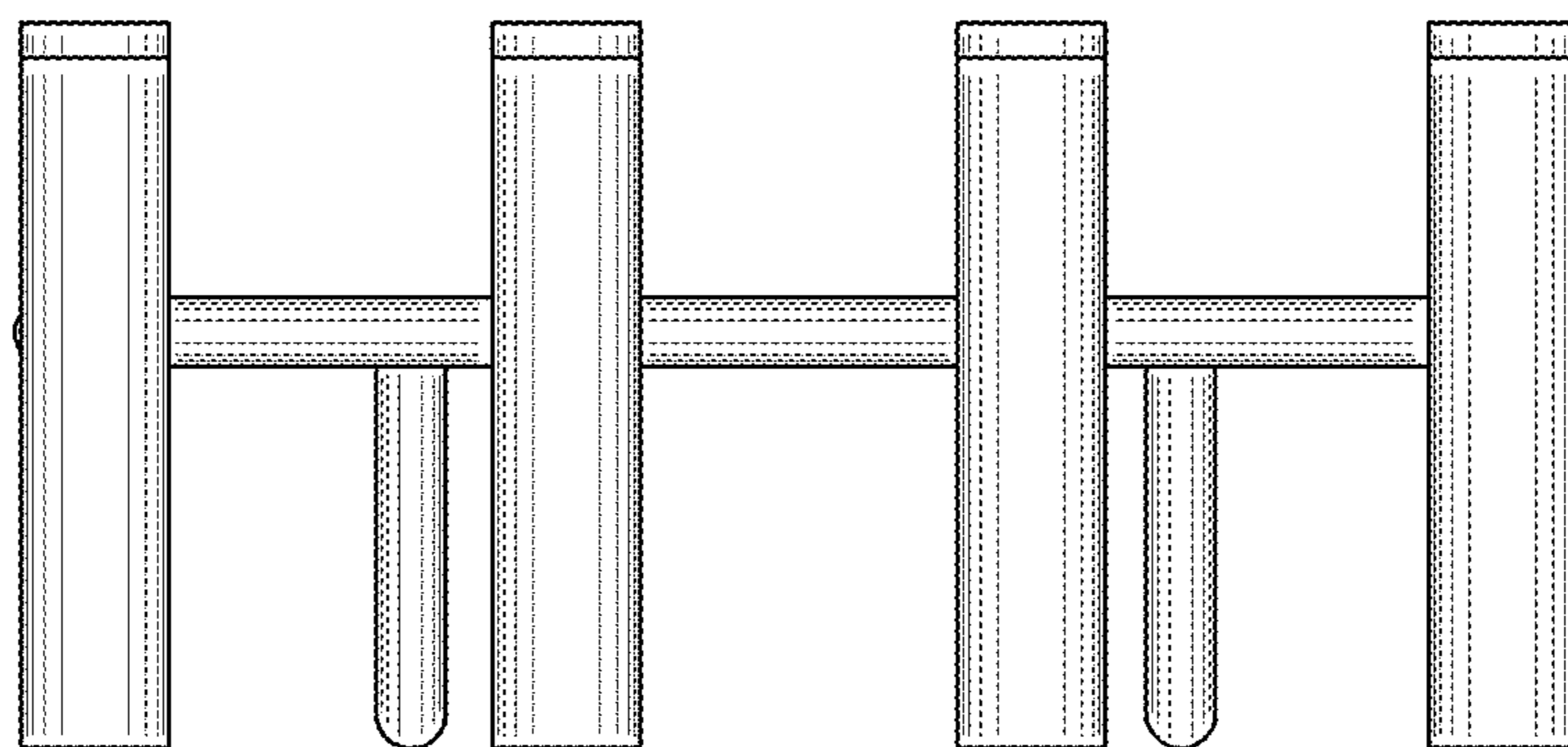


FIG. 2

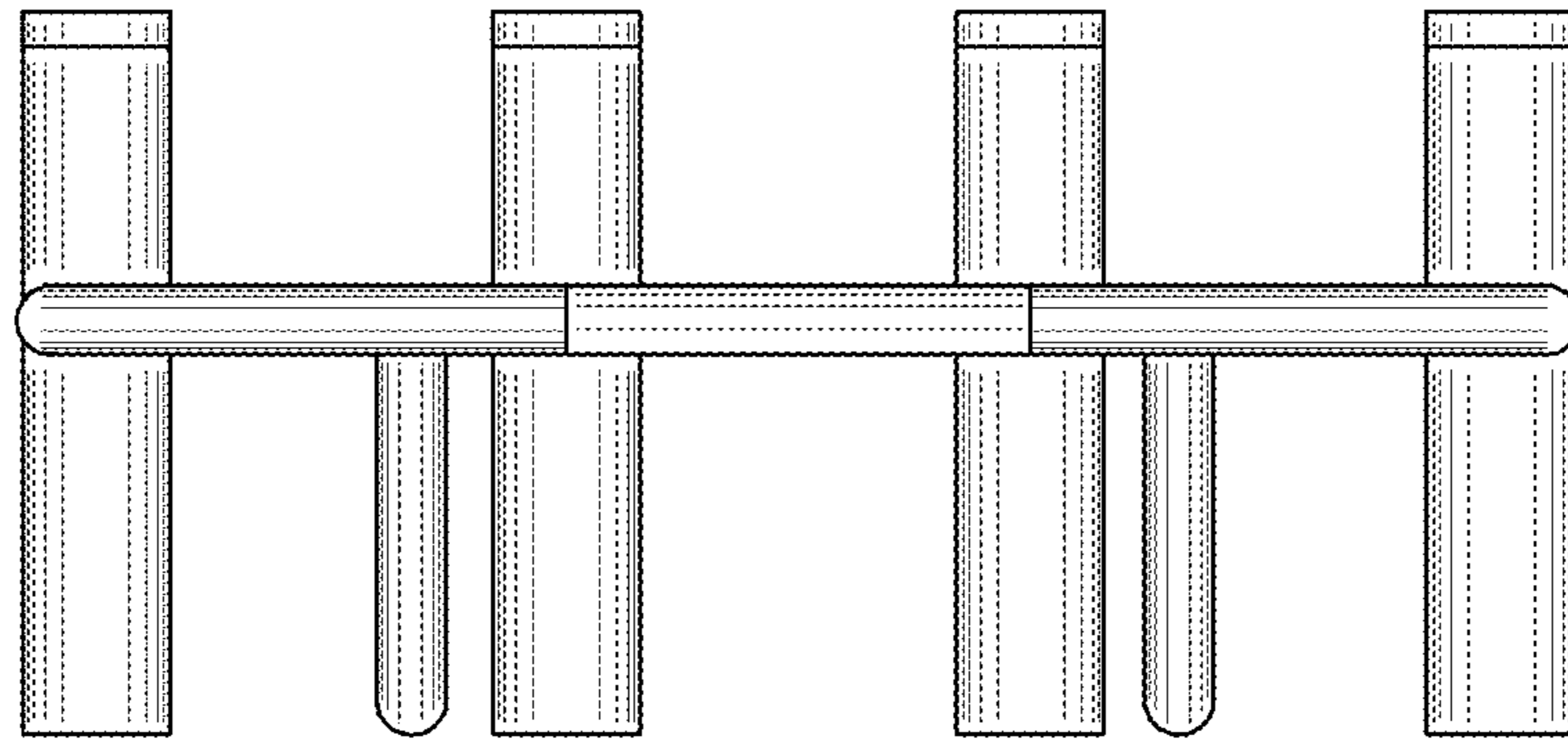


FIG. 3

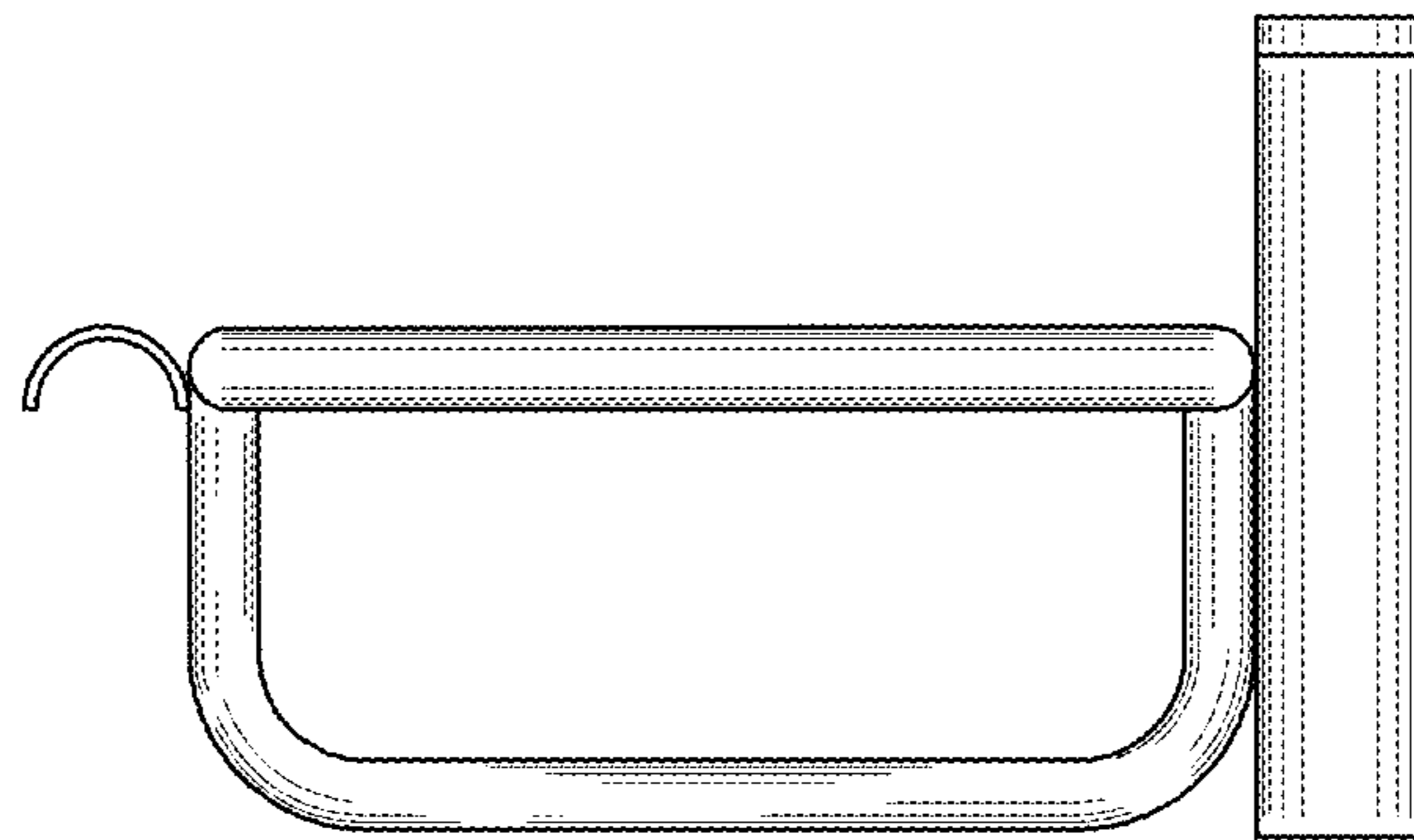


FIG. 4

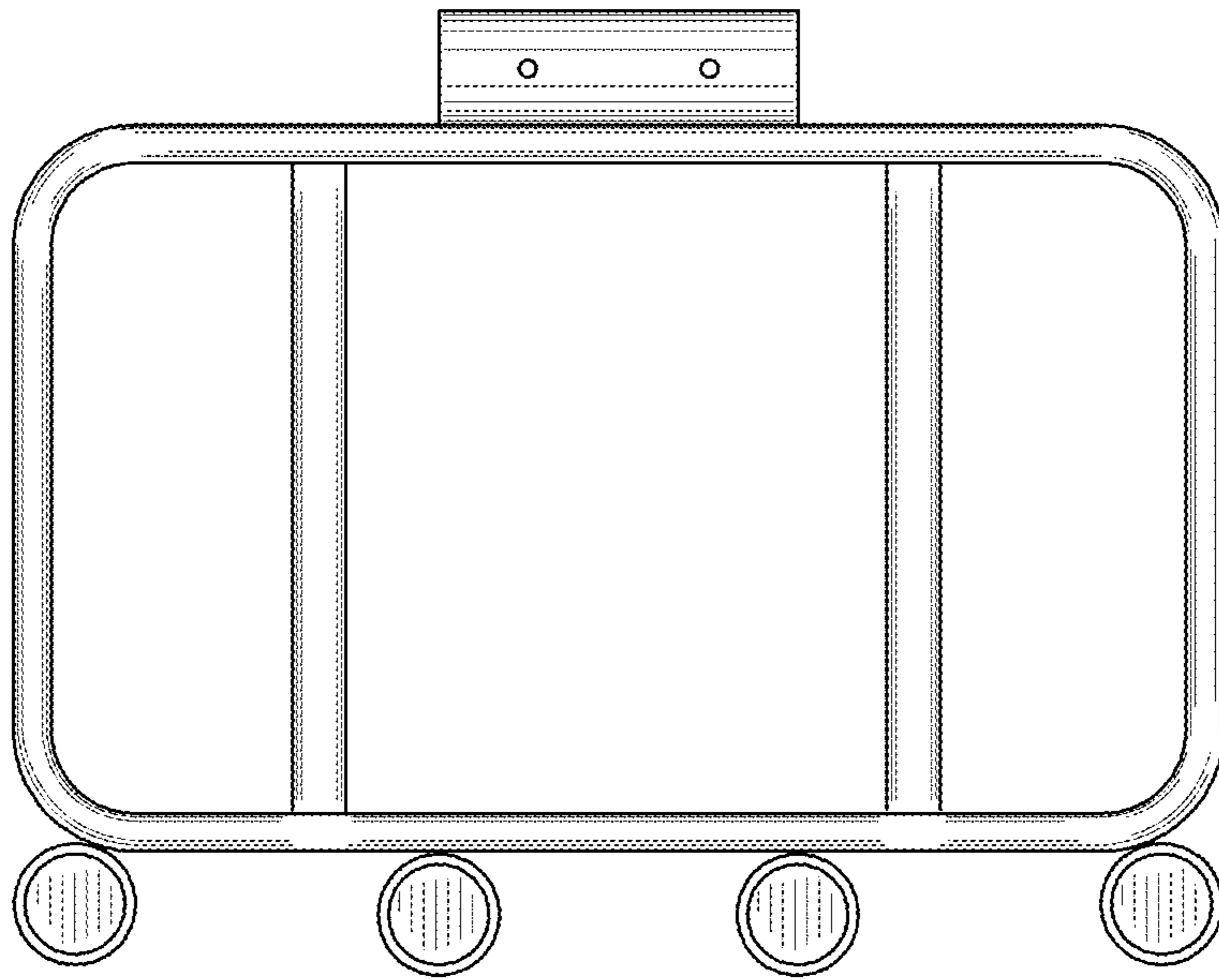


FIG. 5

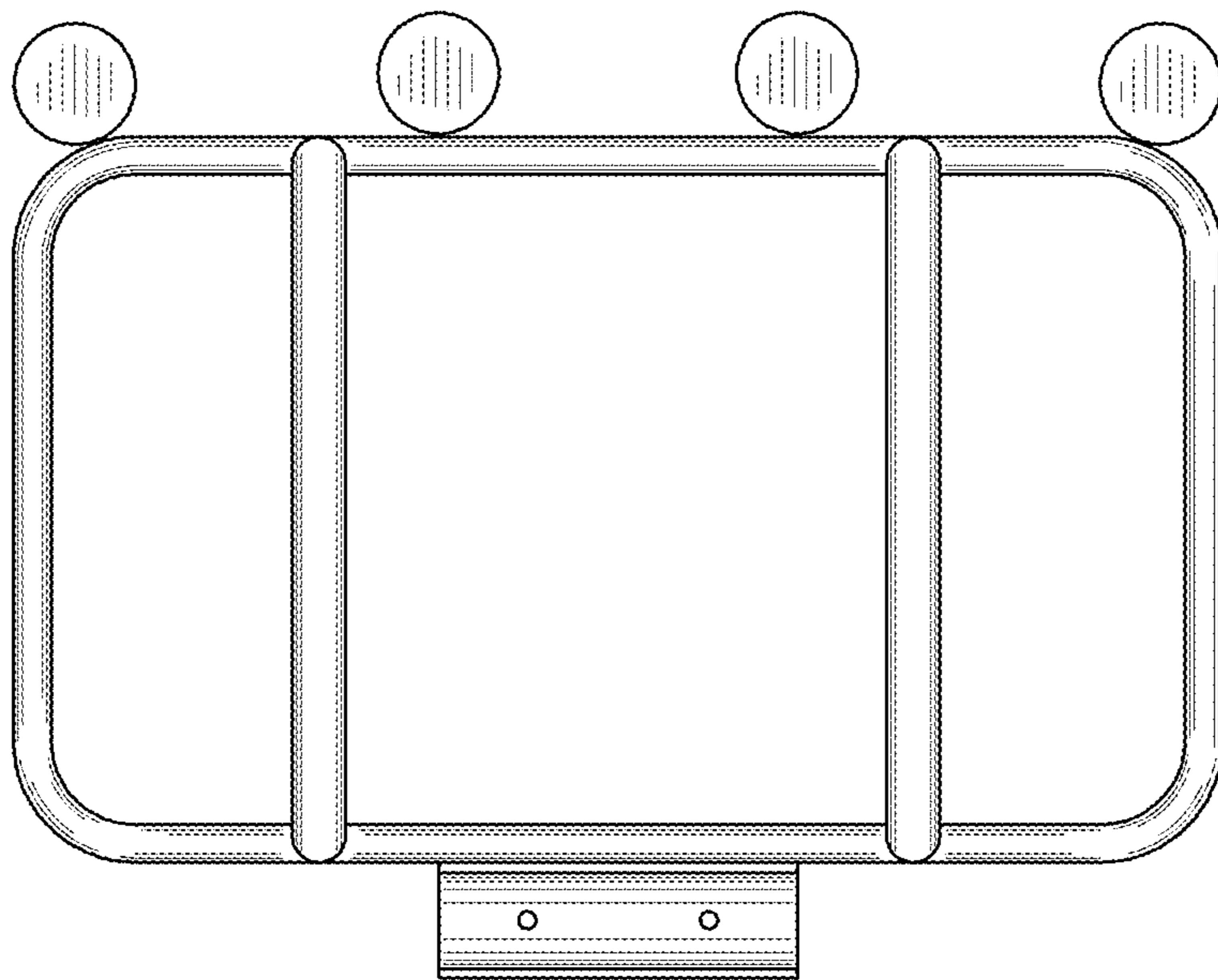


FIG. 6