



US00D699472S

(12) **United States Design Patent**
Wu

(10) **Patent No.:** **US D699,472 S**

(45) **Date of Patent:** **** Feb. 18, 2014**

(54) **BATHROOM HANGER**

(71) Applicant: **Chi-Wei Wu**, Changhua (TW)

(72) Inventor: **Chi-Wei Wu**, Changhua (TW)

(73) Assignee: **I Wen Industry Co. Ltd**, Changhua (TW)

(**) Term: **14 Years**

(21) Appl. No.: **29/464,260**

(22) Filed: **Aug. 14, 2013**

(51) **LOC (10) Cl.** **23-02**

(52) **U.S. Cl.**
USPC **D6/524; D6/550**

(58) **Field of Classification Search**
USPC D6/518–524, 546–550; D8/300, 370,
D8/315; 108/28–29; 211/13.1, 16, 85.5,
211/86.01, 87.01, 88.04, 100, 105.1, 105.2,
211/106, 113, 123, 181.1, 182–183;
248/49, 175, 176.1, 200, 201, 205.1,
248/251, 302, 309.1, 315; 242/570, 590,
242/595–598

See application file for complete search history.

(56) **References Cited**

U.S. PATENT DOCUMENTS

D518,323 S *	4/2006	Qu et al.	D6/550
D530,127 S *	10/2006	Wu	D6/550
D564,270 S *	3/2008	Gilbert	D6/524
D583,600 S *	12/2008	Ricereto	D6/524
D661,146 S *	6/2012	Gilbert	D6/524
D671,348 S *	11/2012	Cittadino	D6/549

* cited by examiner

Primary Examiner — Brian N Vinson

(74) *Attorney, Agent, or Firm* — Che-Yang Chen; Law Office of Michael Chen

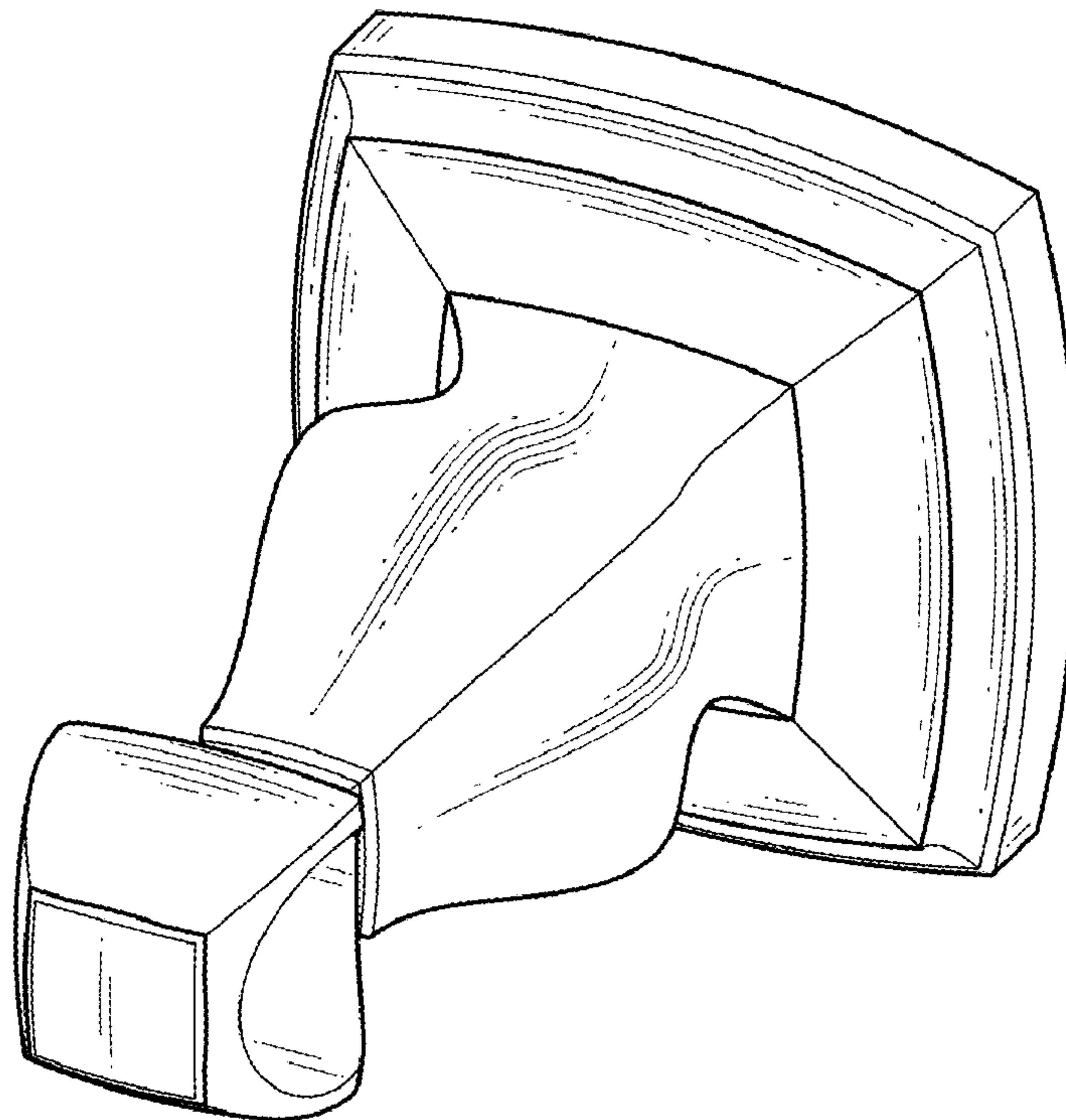
(57) **CLAIM**

The ornamental design for a bathroom hanger, as shown and described.

DESCRIPTION

FIG. 1 is a perspective view of a bathroom hanger showing my new design;
FIG. 2 is a front elevational view thereof;
FIG. 3 is a rear elevational view thereof;
FIG. 4 is a left side elevational view thereof;
FIG. 5 is a right side elevational view thereof;
FIG. 6 is a top plan view thereof; and,
FIG. 7 is a bottom plan view thereof.

1 Claim, 4 Drawing Sheets



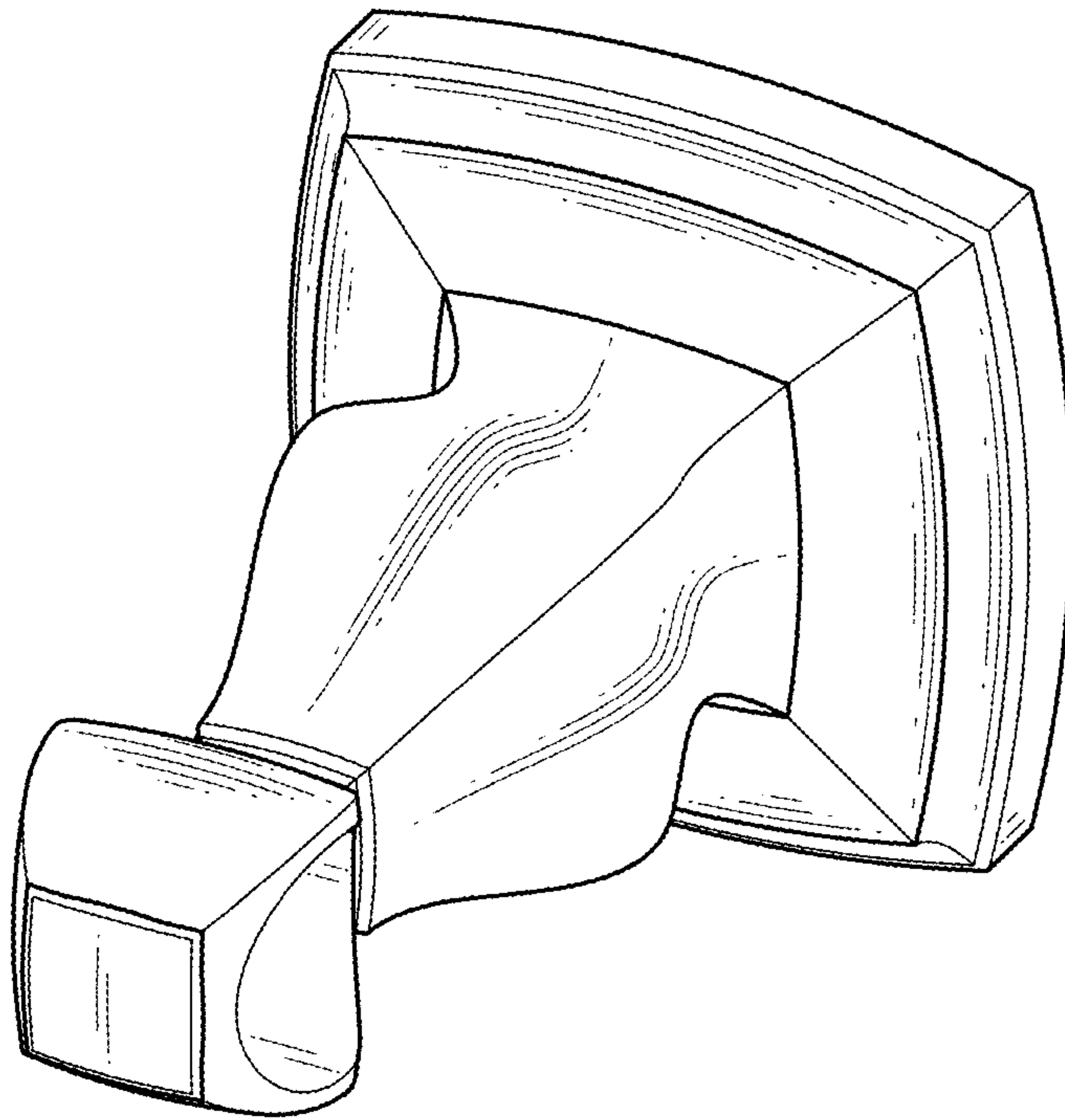


FIG. 1

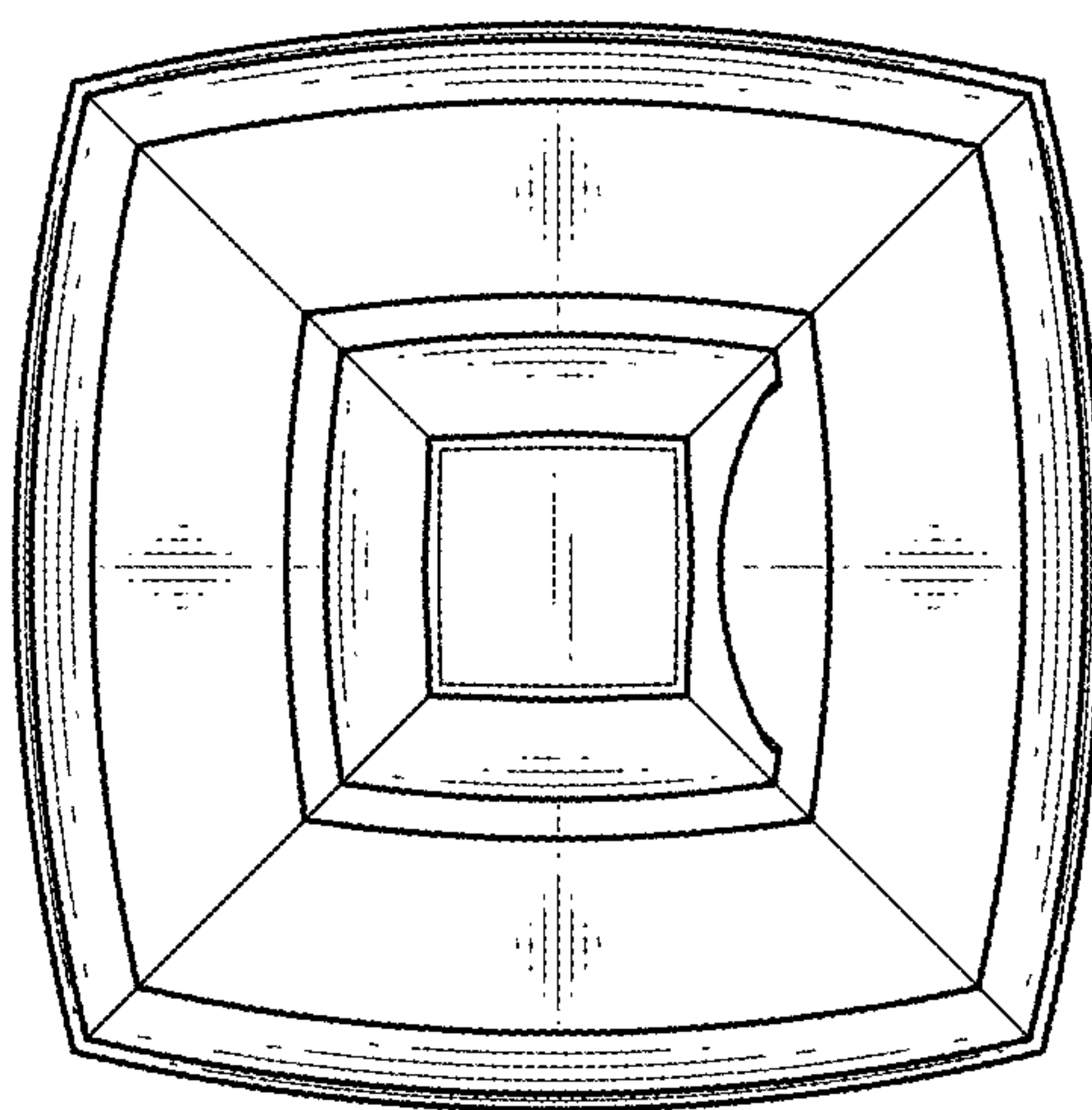


FIG. 2

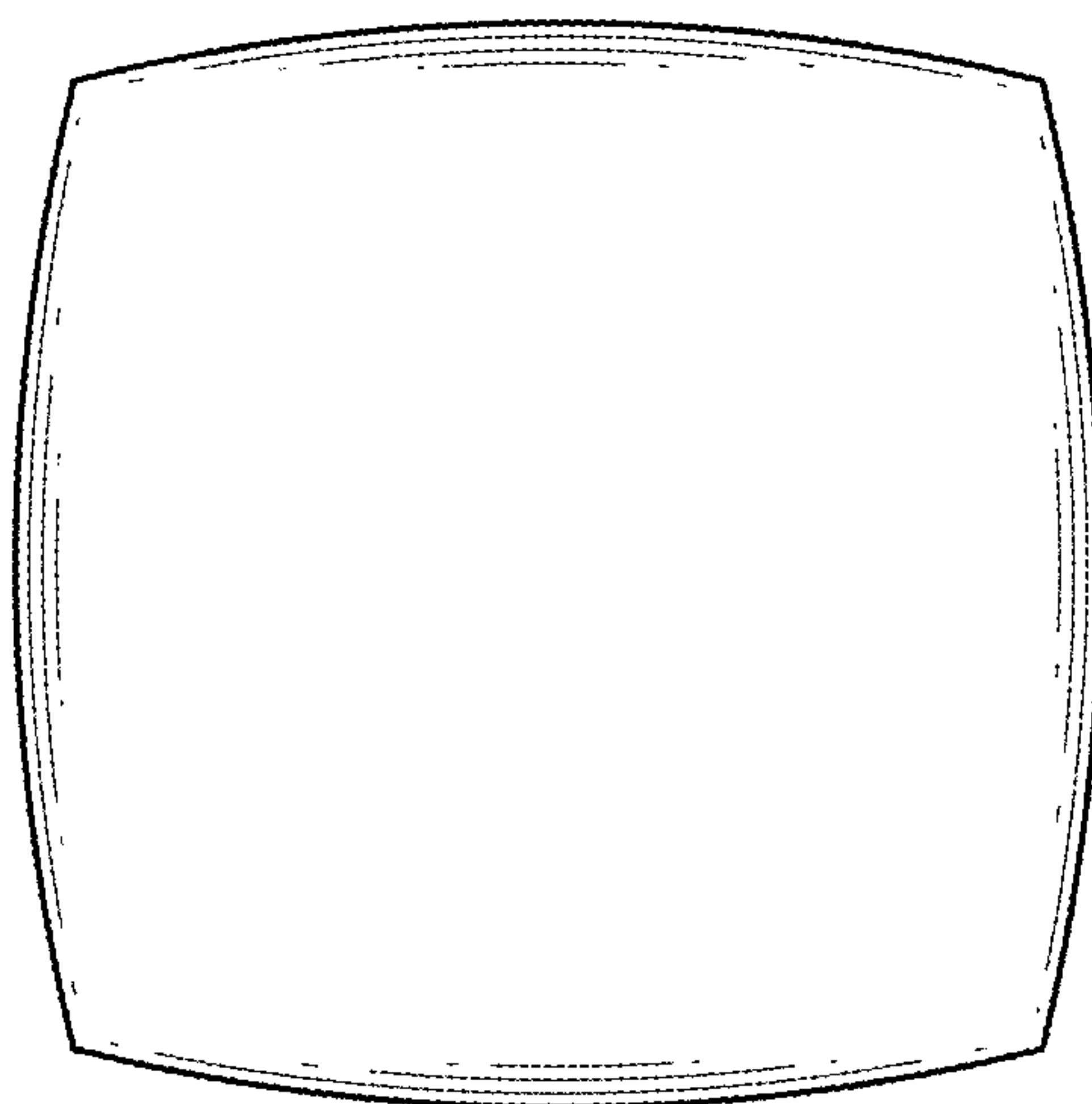


FIG. 3

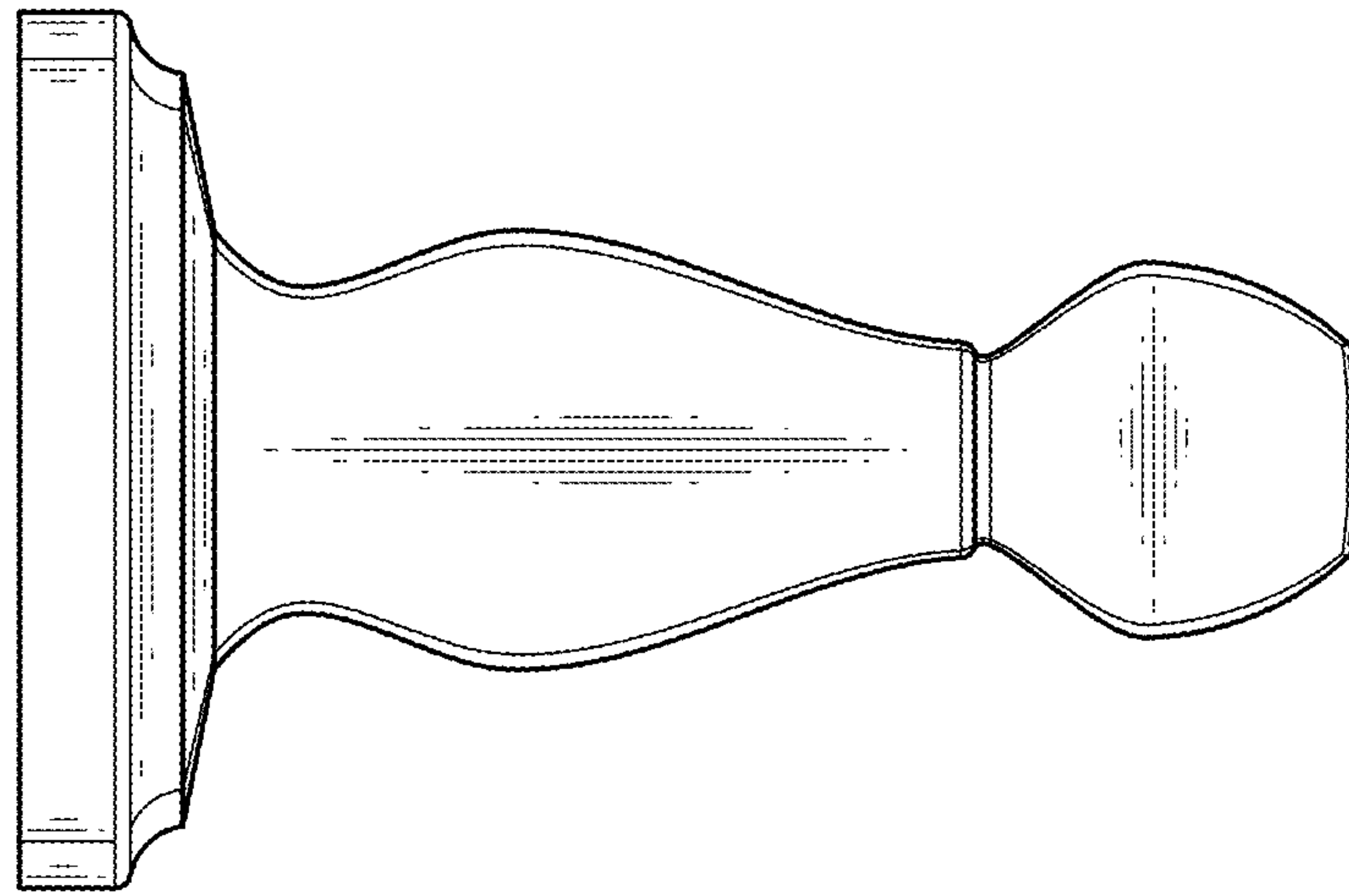


FIG. 4

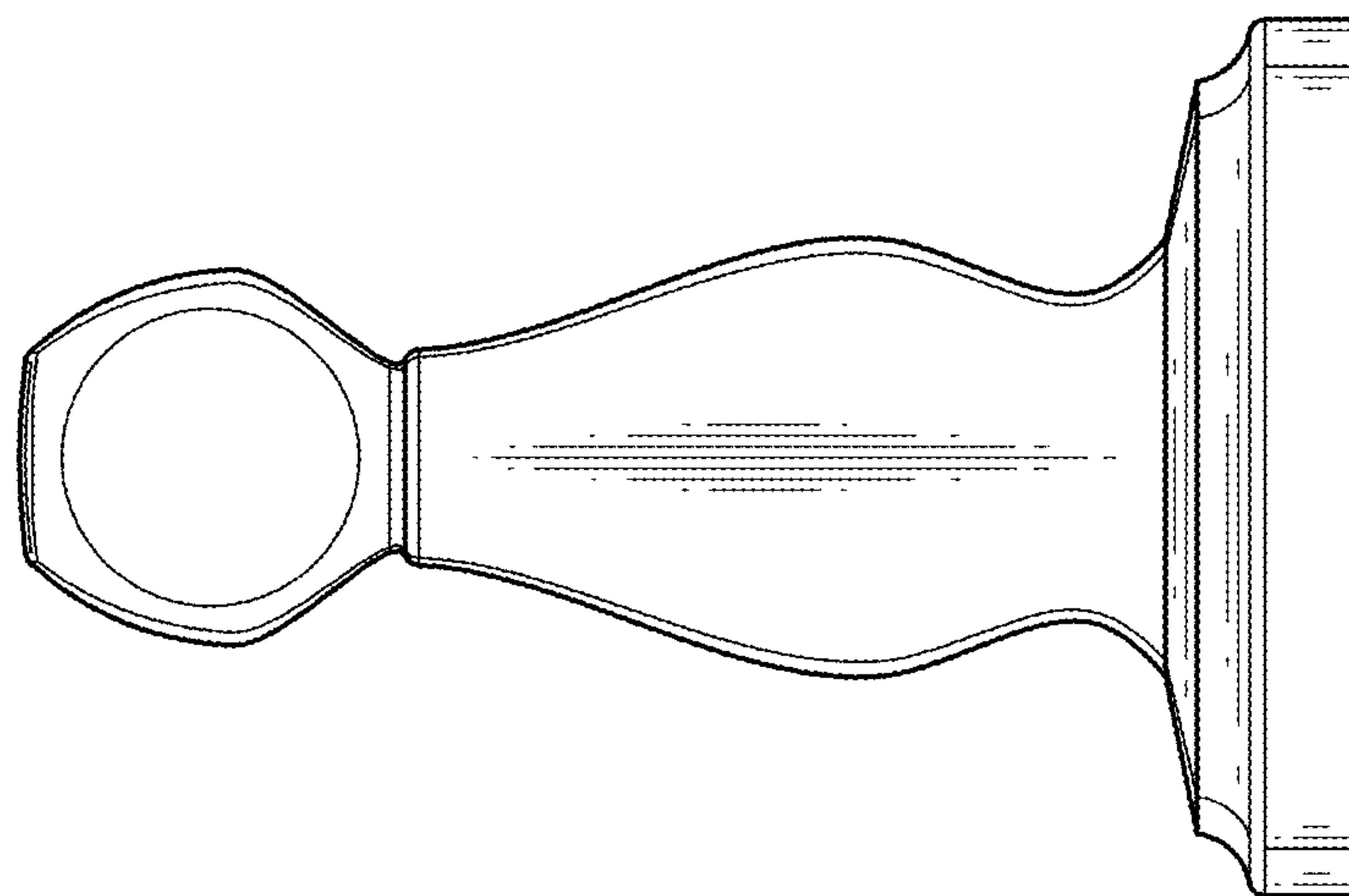


FIG. 5

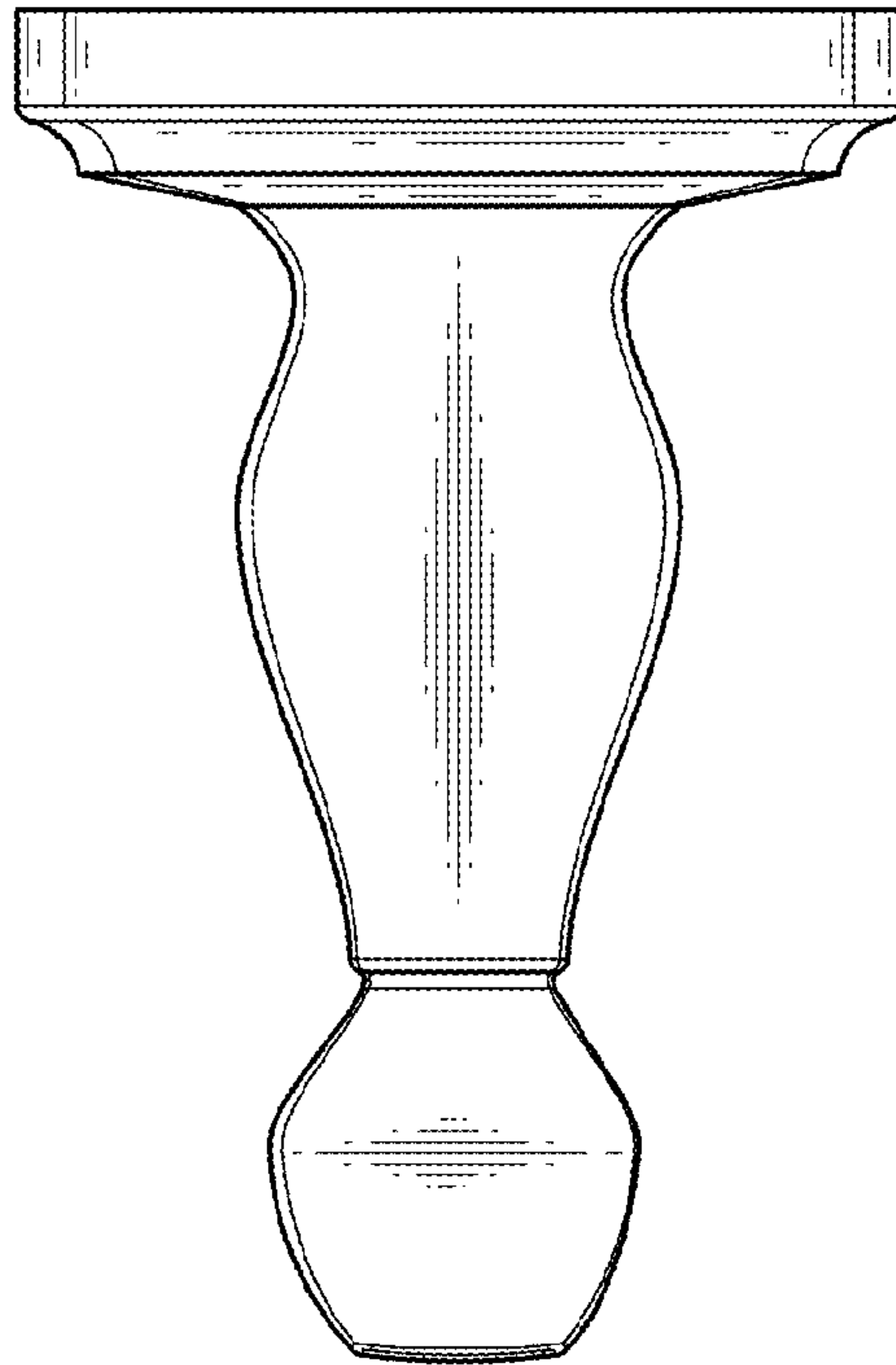


FIG. 6

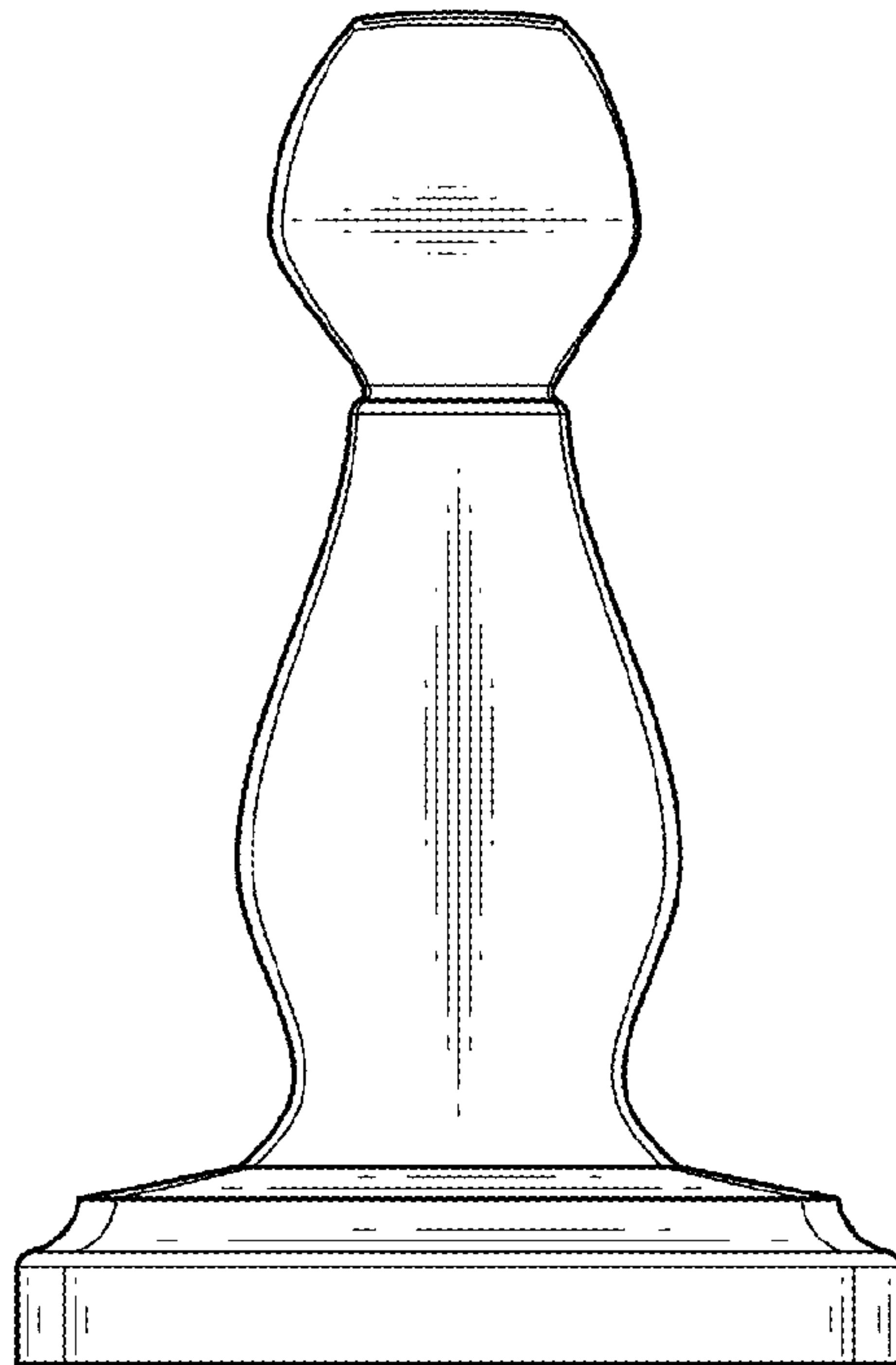


FIG. 7