

US00D699471S

(12) **United States Design Patent**
Cahill

(10) **Patent No.:** **US D699,471 S**

(45) **Date of Patent:** **** Feb. 18, 2014**

(54) **ACCESSORY POST**

(71) Applicant: **Sam Cahill**, Chesterland, OH (US)

(72) Inventor: **Sam Cahill**, Chesterland, OH (US)

(73) Assignee: **Moen Incorporated**, North Olmsted, OH (US)

(**) Term: **14 Years**

(21) Appl. No.: **29/449,452**

(22) Filed: **Mar. 15, 2013**

(51) **LOC (10) Cl.** **23-02**

(52) **U.S. Cl.**
USPC **D6/524; D6/550**

(58) **Field of Classification Search**
USPC D6/518–524, 546–550; D8/300, 370,
D8/315; 108/28–29; 211/13.1, 16, 85.5,
211/86.01, 87.01, 88.04, 100, 105.1, 105.2,
211/106, 113, 123, 181.1, 182–183;
248/49, 175, 176.1, 200, 201, 205.1,
248/251, 302, 309.1, 315; 242/570, 590,
242/595–598

See application file for complete search history.

(56) **References Cited**

U.S. PATENT DOCUMENTS

D286,963 S	12/1986	Waghorn
D349,208 S	8/1994	Bollenbacher
D350,390 S	9/1994	Bollenbacher
D357,379 S	4/1995	Lehn et al.
D357,840 S	5/1995	Lehn et al.
D365,384 S	12/1995	Robbins
D371,826 S	7/1996	Robbins
D374,361 S	10/1996	Lehn et al.
D394,972 S	6/1998	Moore et al.
D424,354 S	5/2000	Duggan
D444,544 S	7/2001	Lord
D448,456 S	9/2001	Lord
D460,533 S	7/2002	Singtoroj

D464,712 S	10/2002	Lord
D467,109 S	12/2002	Yegyayan et al.
D470,701 S	2/2003	Kuo
D477,486 S	7/2003	Green
D483,585 S	12/2003	Chen
D489,120 S	4/2004	Shieh
D493,314 S	7/2004	Gilbert
D497,751 S	* 11/2004	Roberts et al. D6/524
D497,752 S	11/2004	Roberts, III et al.
D501,746 S	2/2005	Gilbert
D504,042 S	4/2005	Wu
D512,130 S	11/2005	Ouyoung
D514,204 S	1/2006	Spangler
D517,174 S	3/2006	Singtoroj
D520,791 S	5/2006	Solowiej
D522,097 S	5/2006	Fritz et al.

(Continued)

Primary Examiner — Brian N Vinson

(74) *Attorney, Agent, or Firm* — Calfee, Halter & Griswold LLP

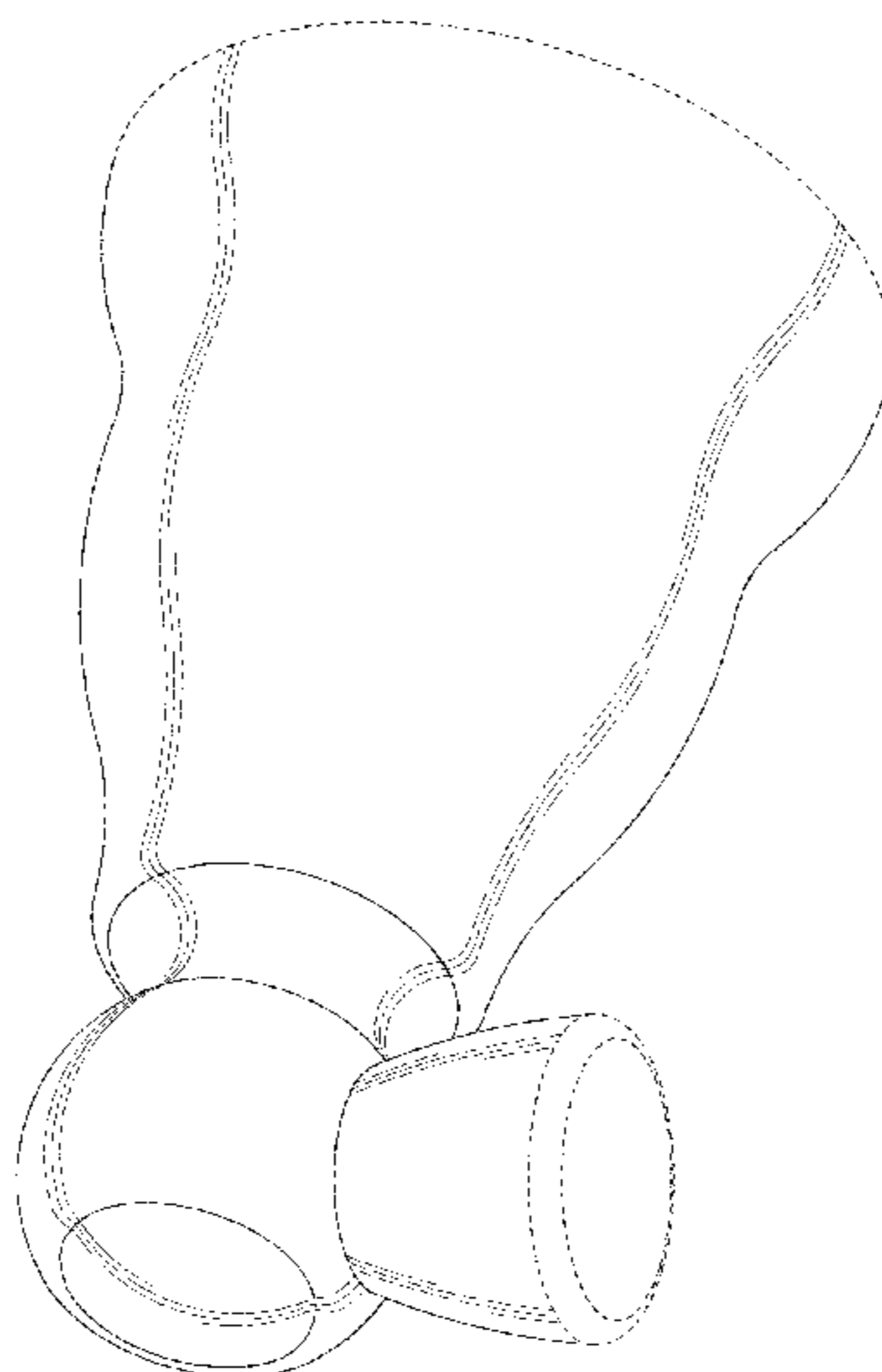
(57) **CLAIM**

The ornamental design for an accessory post, as shown and described.

DESCRIPTION

FIG. 1 is a perspective view of an accessory post of the new design;
FIG. 2 is a front elevational view of the accessory post of FIG. 1;
FIG. 3 is a rear elevational view of the accessory post of FIG. 1;
FIG. 4 is a left side elevational view of the accessory post of FIG. 1;
FIG. 5 is a right side elevational view of the accessory post of FIG. 1; and,
FIG. 6 is a top plan view of the accessory post of FIG. 1, the bottom plan view being a mirror image thereof.
The portions of the Figures shown in broken lines are not part of the claimed design and are for illustration only.

1 Claim, 4 Drawing Sheets



(56)

References Cited

U.S. PATENT DOCUMENTS

D529,143 S	9/2006	Chu et al.	
D534,247 S	12/2006	Chu et al.	
D534,248 S	12/2006	Chu et al.	
D540,588 S	4/2007	Hoernig	
D554,406 S *	11/2007	Sedwick	D6/524
D562,607 S	2/2008	Chen	
D565,335 S	4/2008	Hoernig	
D565,337 S	4/2008	Hoernig	
D569,146 S	5/2008	Gilbert	
D576,437 S	9/2008	Krumpe et al.	
D576,827 S	9/2008	Krumpe et al.	
D591,542 S *	5/2009	Chen	D6/524
D598,983 S	8/2009	Shieh	
D599,590 S	9/2009	Hanes	
D600,056 S	9/2009	Coronado Careaga	
D604,075 S	11/2009	Chen	
D619,222 S	7/2010	Smith et al.	
D635,382 S *	4/2011	Kim	D6/524
D655,546 S *	3/2012	Gilbert	D6/524
D666,697 S	9/2012	Romero	
D668,489 S *	10/2012	Callif	D6/524
D671,348 S	11/2012	Cittadino	

* cited by examiner

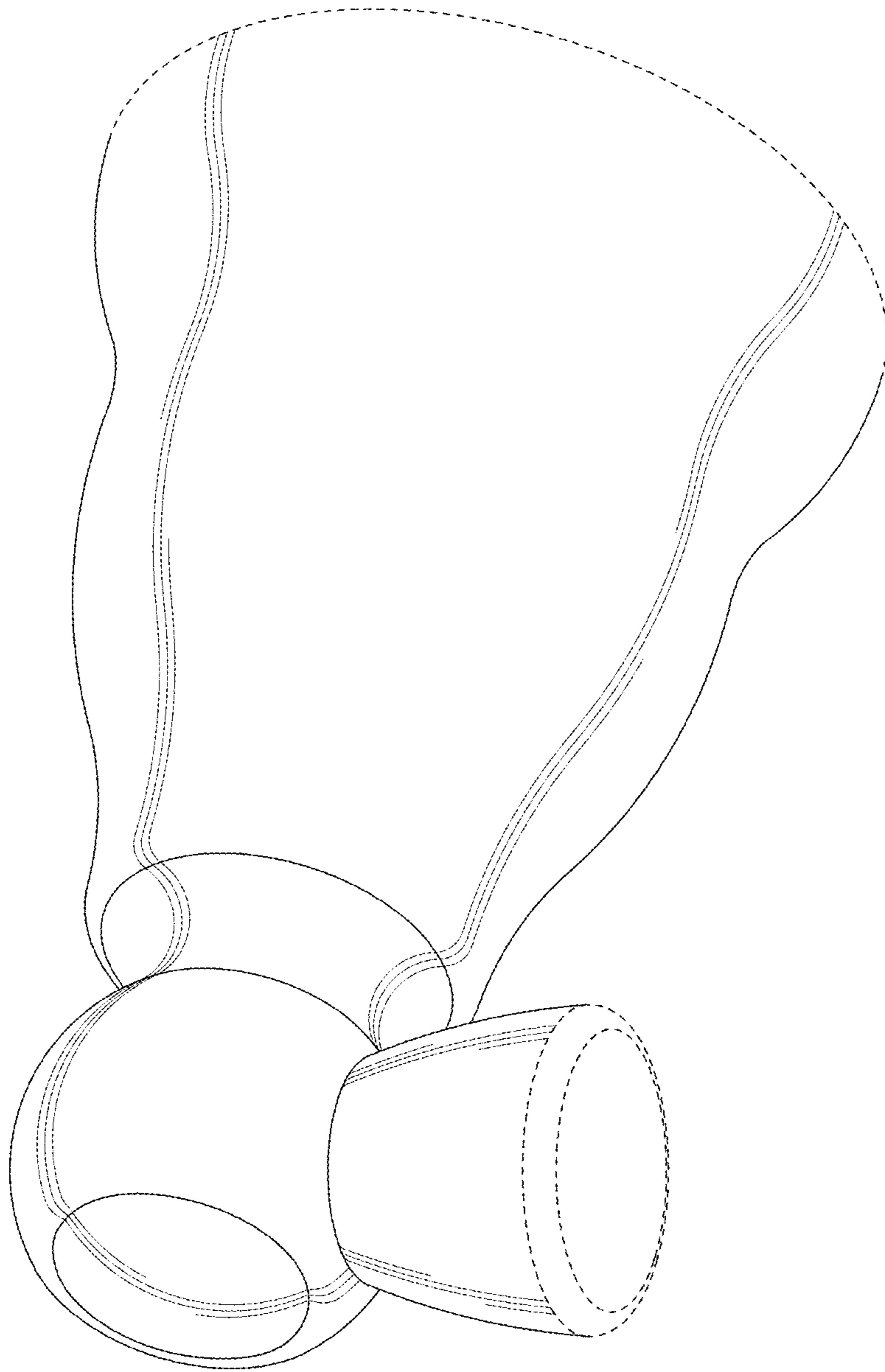


FIG. 1

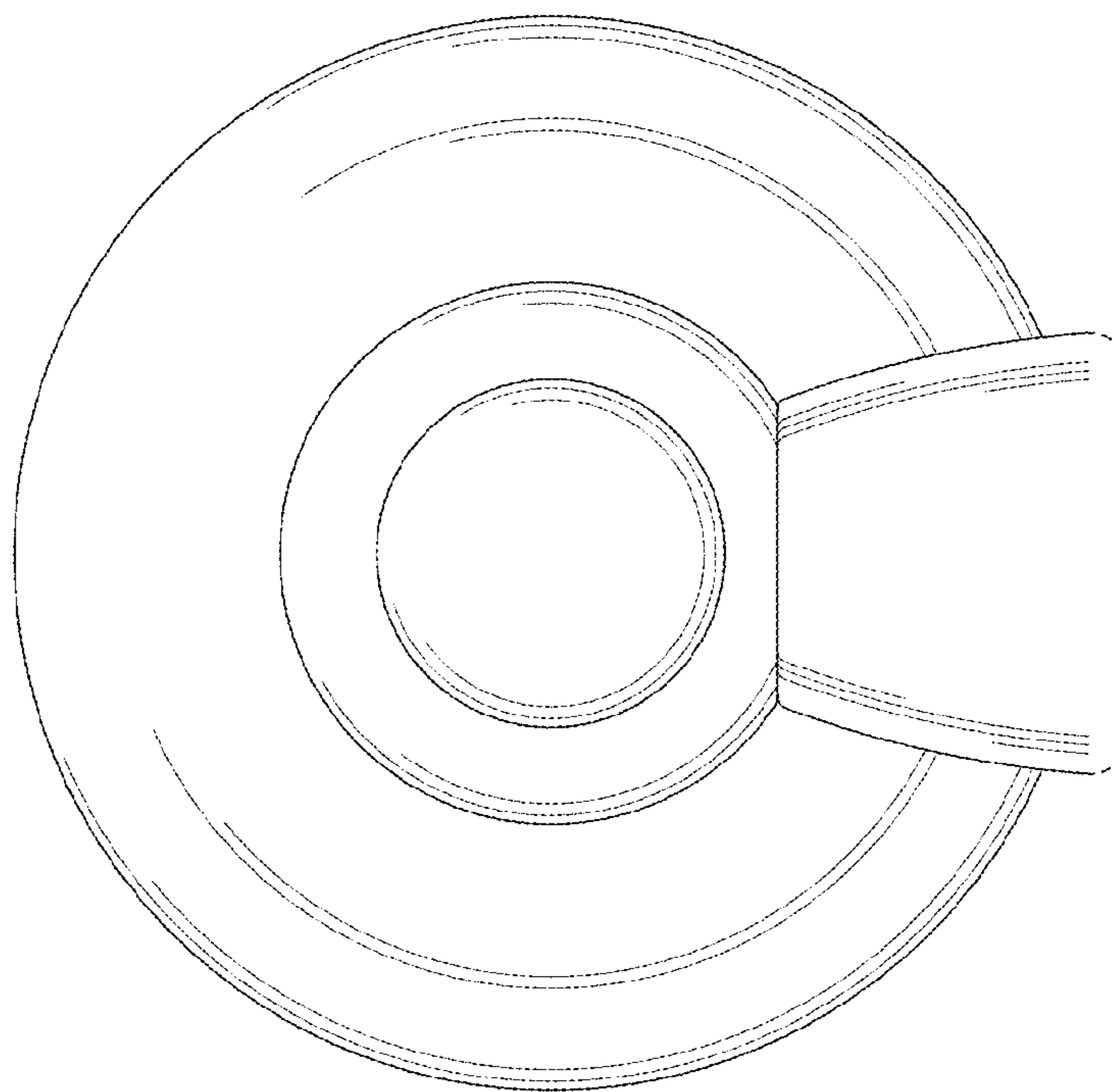


FIG. 2

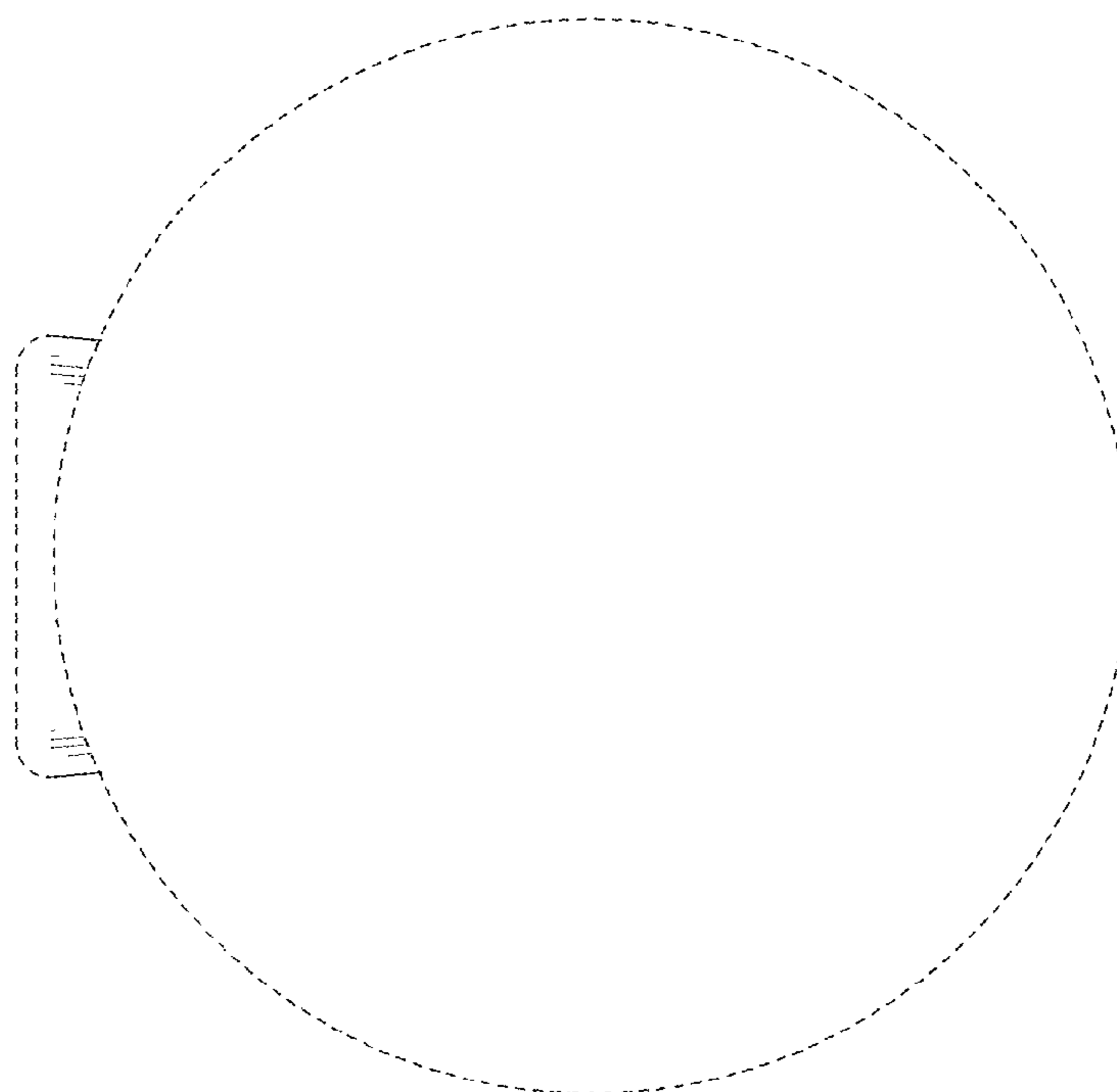


FIG. 3

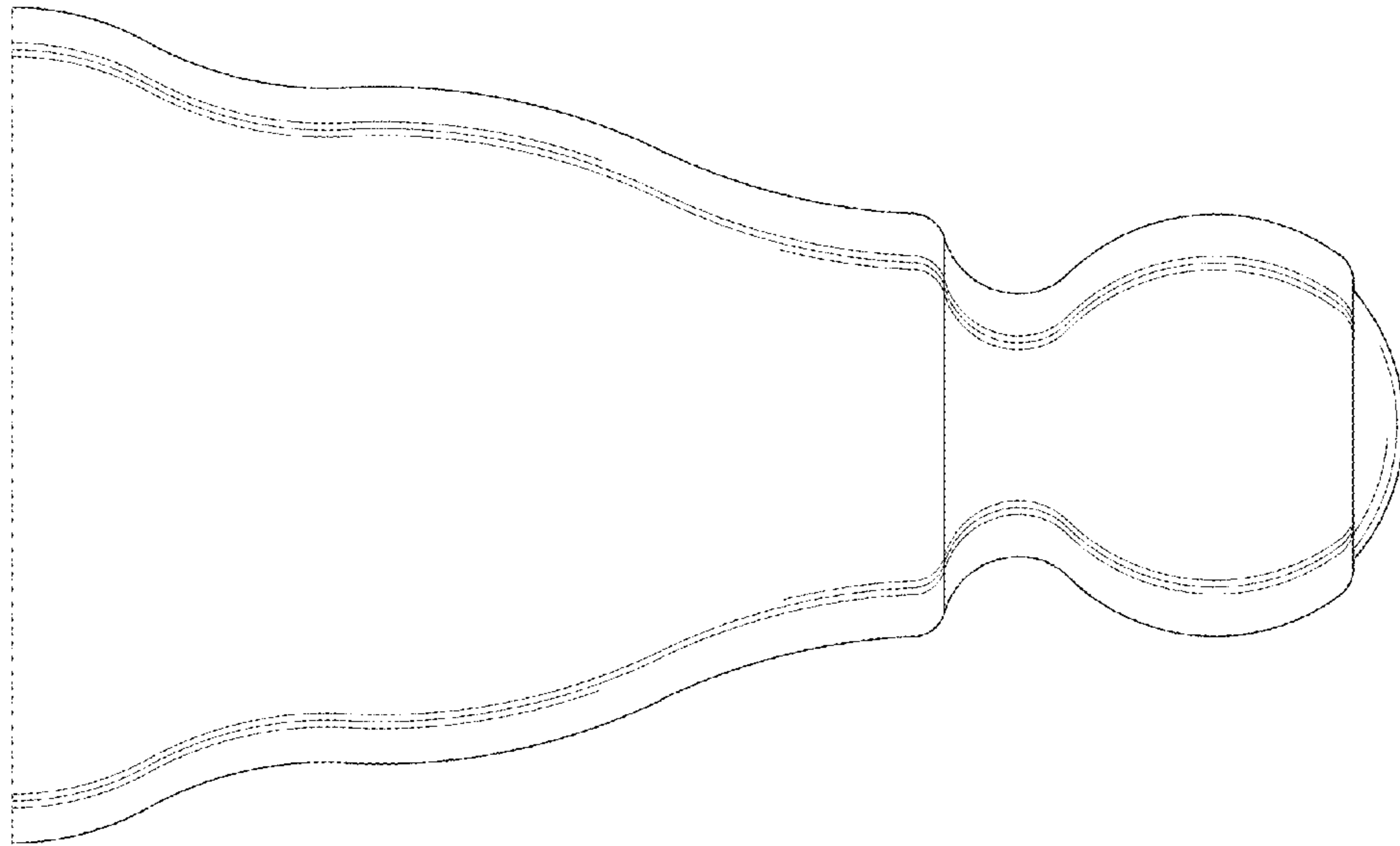


FIG. 4

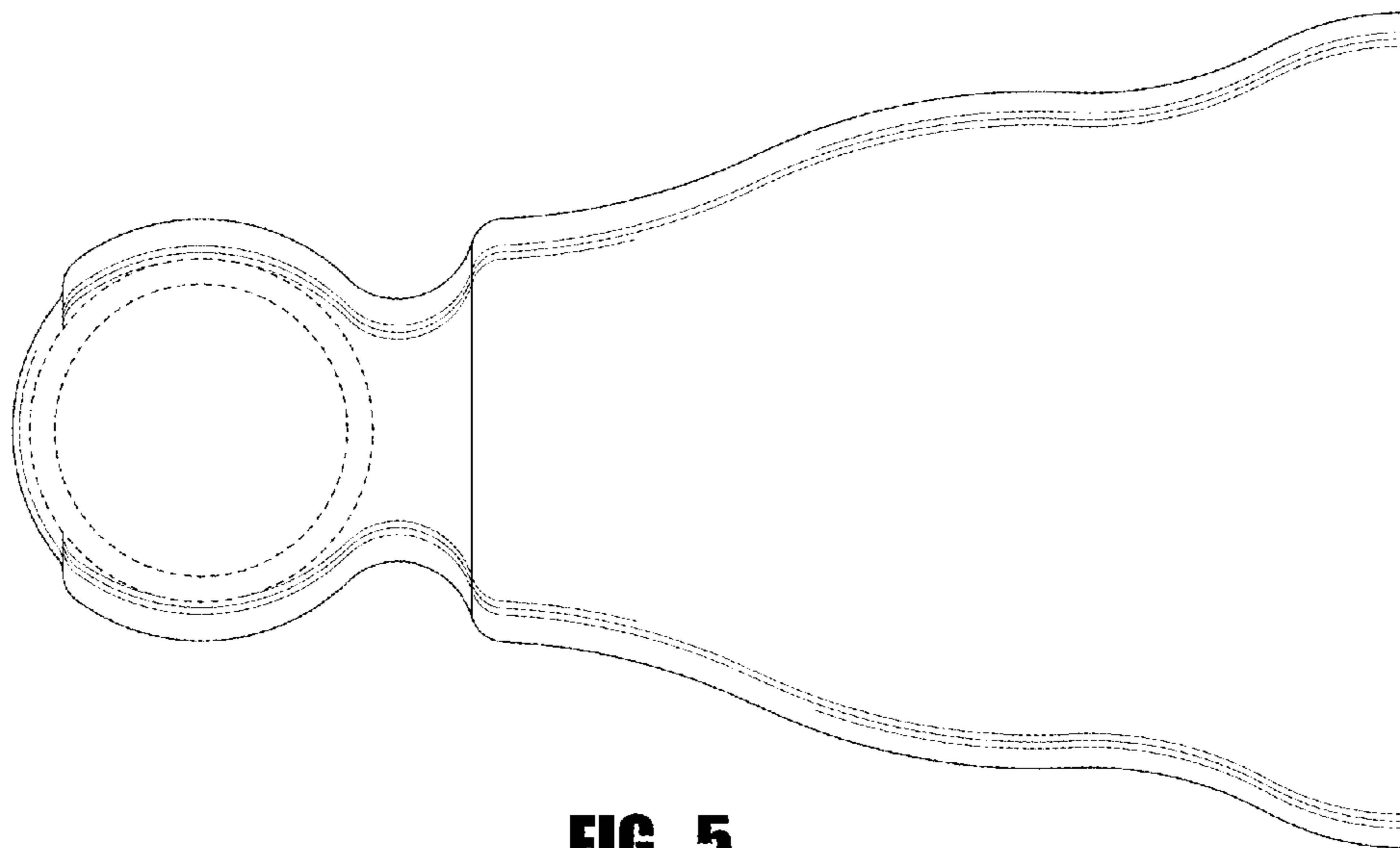


FIG. 5

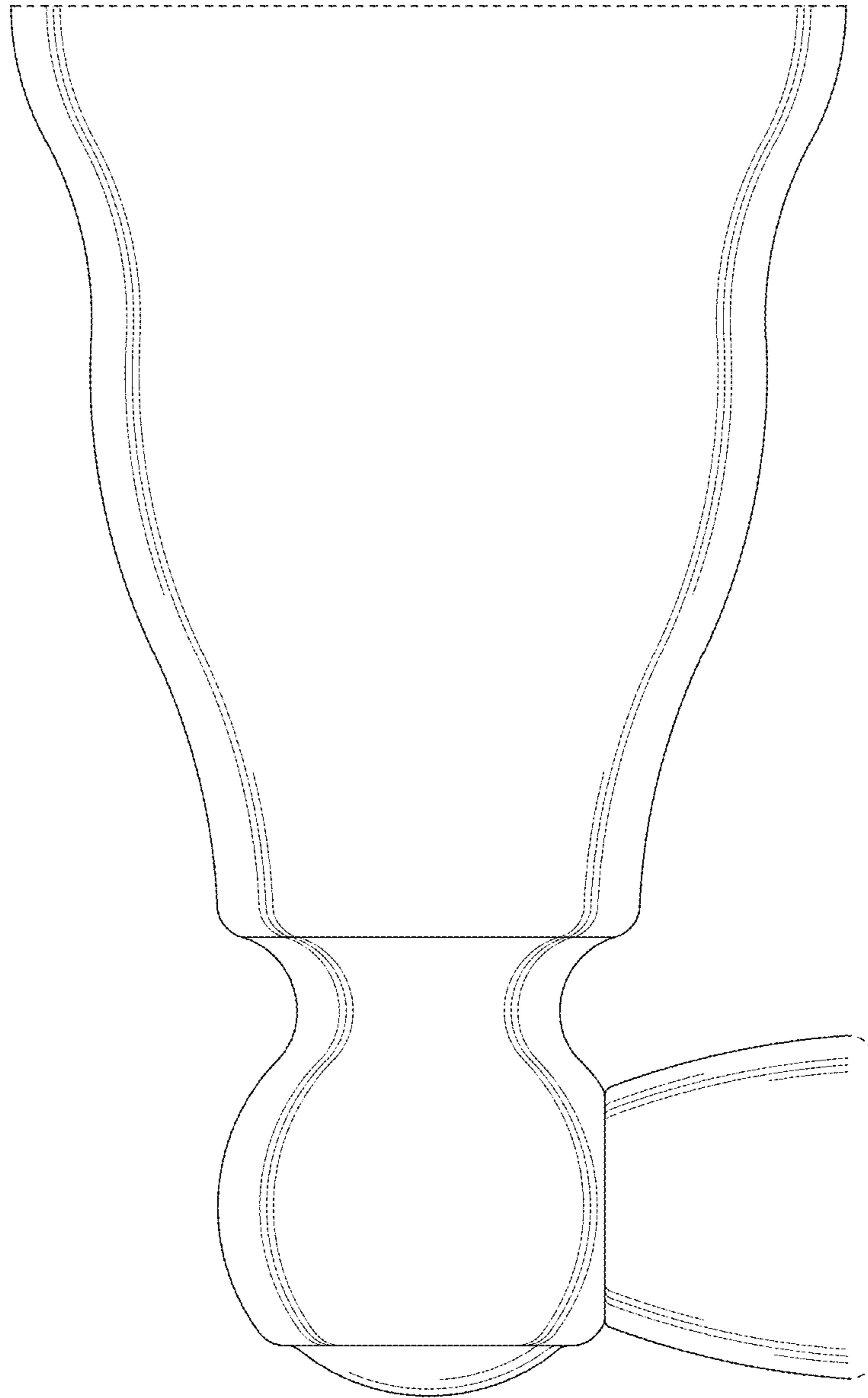


FIG. 6