



US00D699467S

(12) **United States Design Patent**
Tsai

(10) **Patent No.:** **US D699,467 S**

(45) **Date of Patent:** **** Feb. 18, 2014**

(54) **DOOR-MOUNTED RACK**

(71) Applicant: **Tsung-Yu Tsai**, Changhua (TW)

(72) Inventor: **Tsung-Yu Tsai**, Changhua (TW)

(**) Term: **14 Years**

(21) Appl. No.: **29/462,256**

(22) Filed: **Jul. 31, 2013**

(51) **LOC (10) Cl.** **06-06**

(52) **U.S. Cl.**
USPC **D6/514; D6/566**

(58) **Field of Classification Search**
USPC D6/512-514, 553, 566, 567, 569, 315,
D6/320, 327; D8/349, 354, 367, 372;
248/301-304, 309.1, 309.2; 211/13.1,
211/30, 32, 70.6, 56.01, 87.01, 181.1;
D25/38; D26/51

See application file for complete search history.

(56) **References Cited**

U.S. PATENT DOCUMENTS

D466,396 S * 12/2002 Snell D6/513
D479,796 S * 9/2003 Snell D6/514

D484,345 S * 12/2003 Clucas D6/566
D555,366 S * 11/2007 Goodman et al. D6/566
D616,232 S * 5/2010 Guindi D6/514
D634,938 S * 3/2011 Guindi D6/566
D654,737 S * 2/2012 Guindi D6/514

* cited by examiner

Primary Examiner — Brian N Vinson

(74) *Attorney, Agent, or Firm* — QuickPatents; Kevin Prince

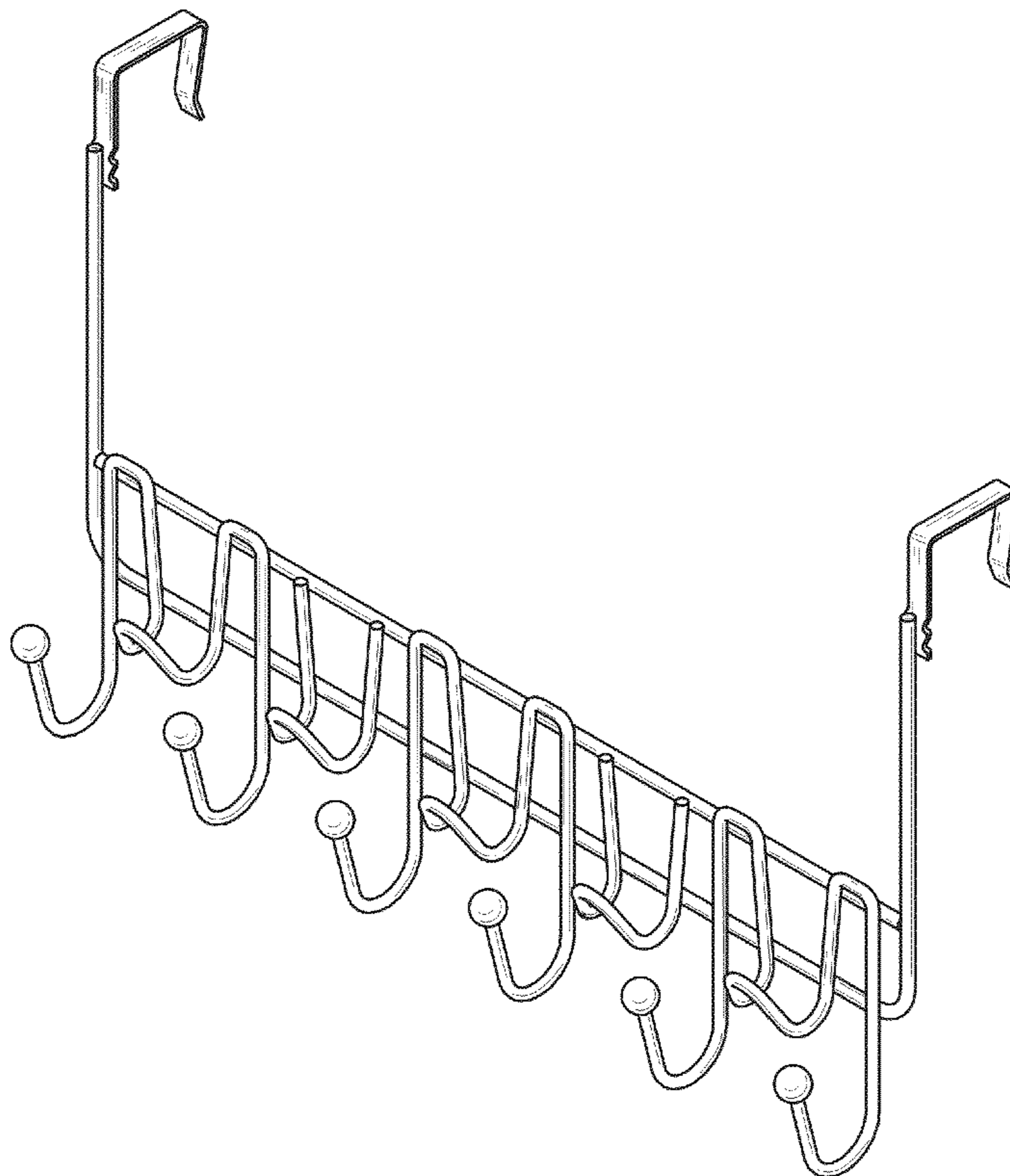
(57) **CLAIM**

I claim the ornamental design for a door-mounted rack, as shown and described.

DESCRIPTION

FIG. 1 is a perspective view of a door-mounted rack, showing my new design;
FIG. 2 is a front elevational view thereof;
FIG. 3 is a rear elevational view thereof;
FIG. 4 is a left-side elevational view thereof, the right-side elevational view being a mirror image thereof;
FIG. 5 is a top plan view thereof; and,
FIG. 6 is a bottom plan view thereof.

1 Claim, 3 Drawing Sheets



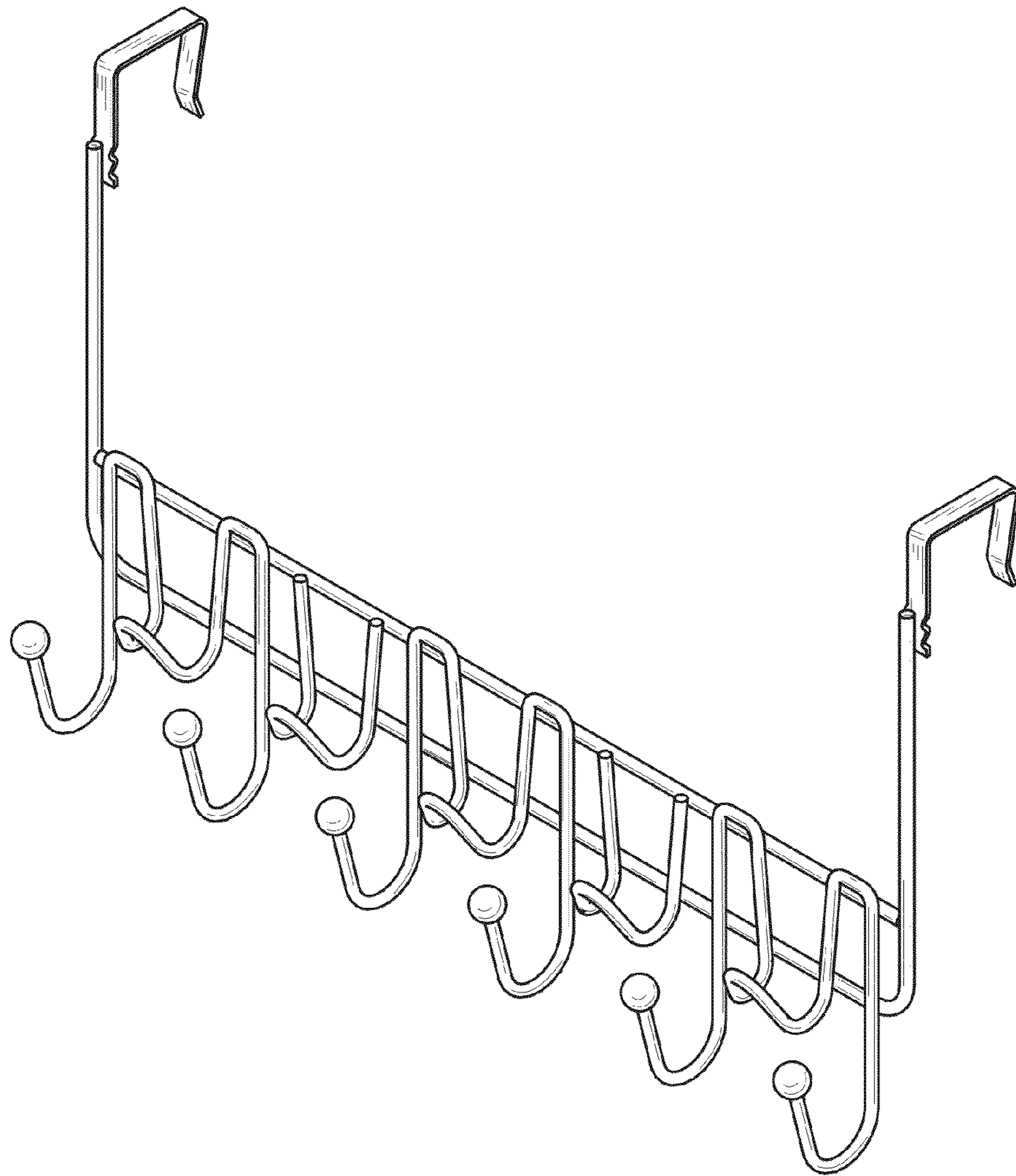


FIG. 1

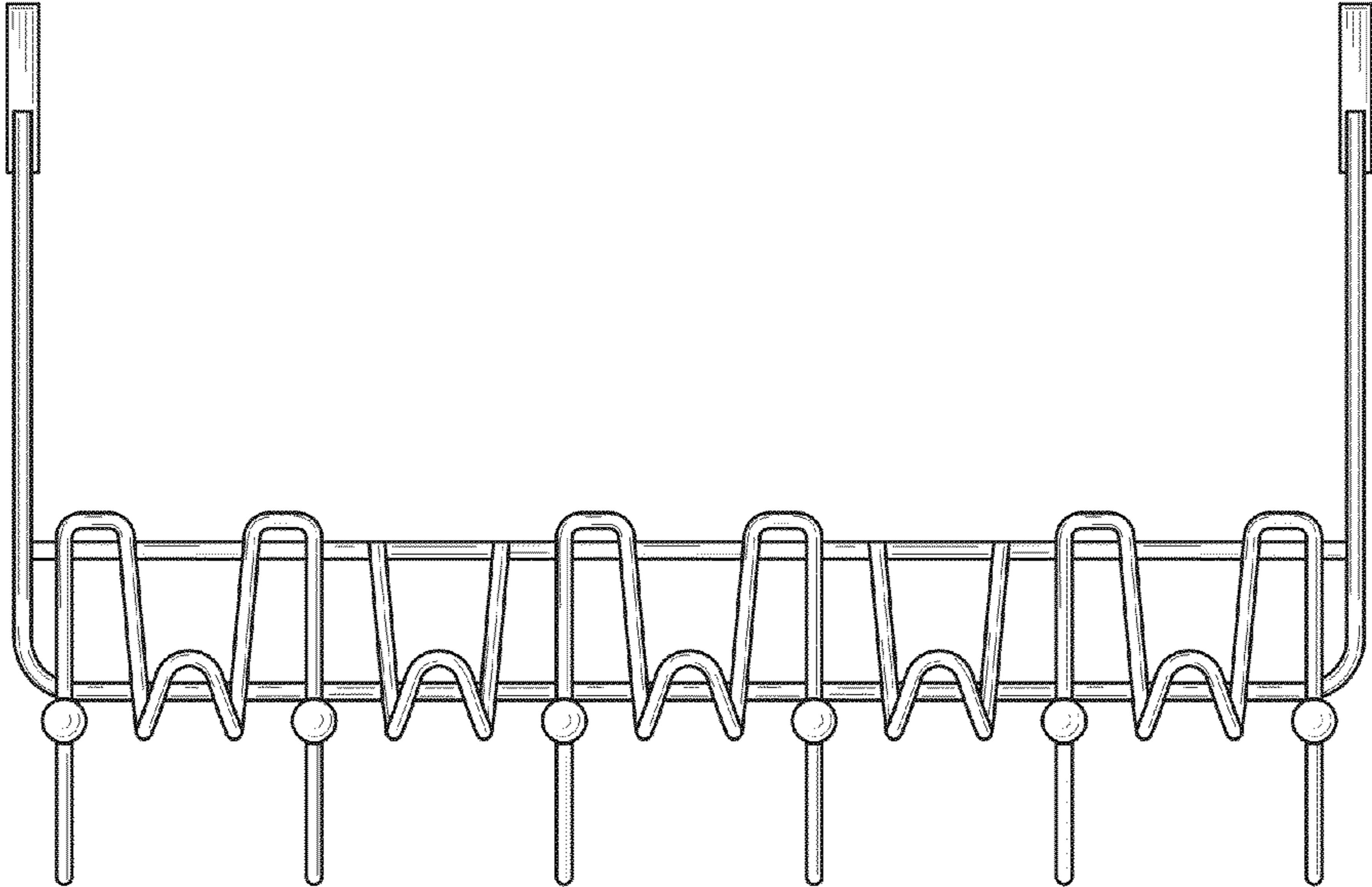


FIG. 2

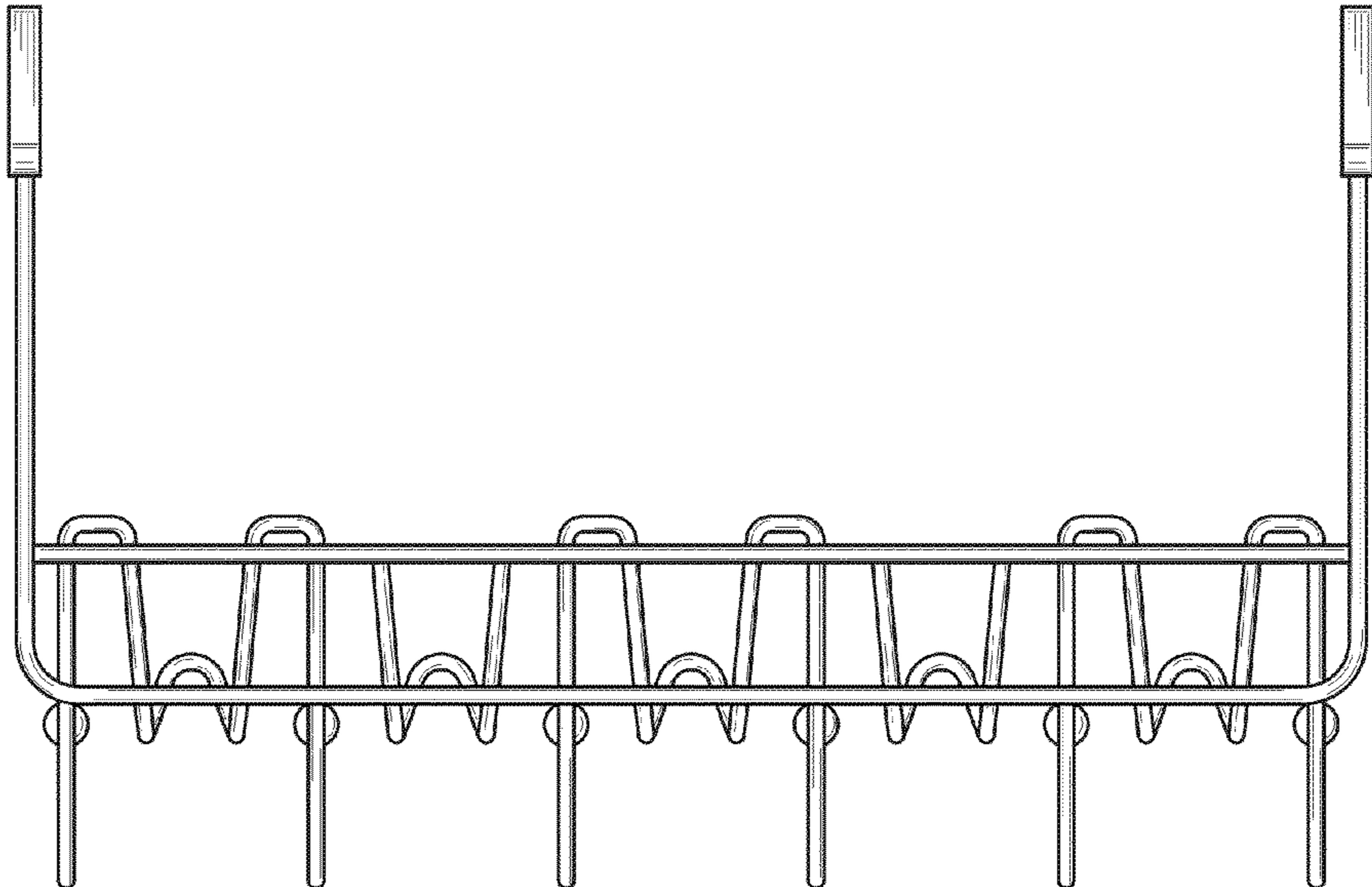


FIG. 3

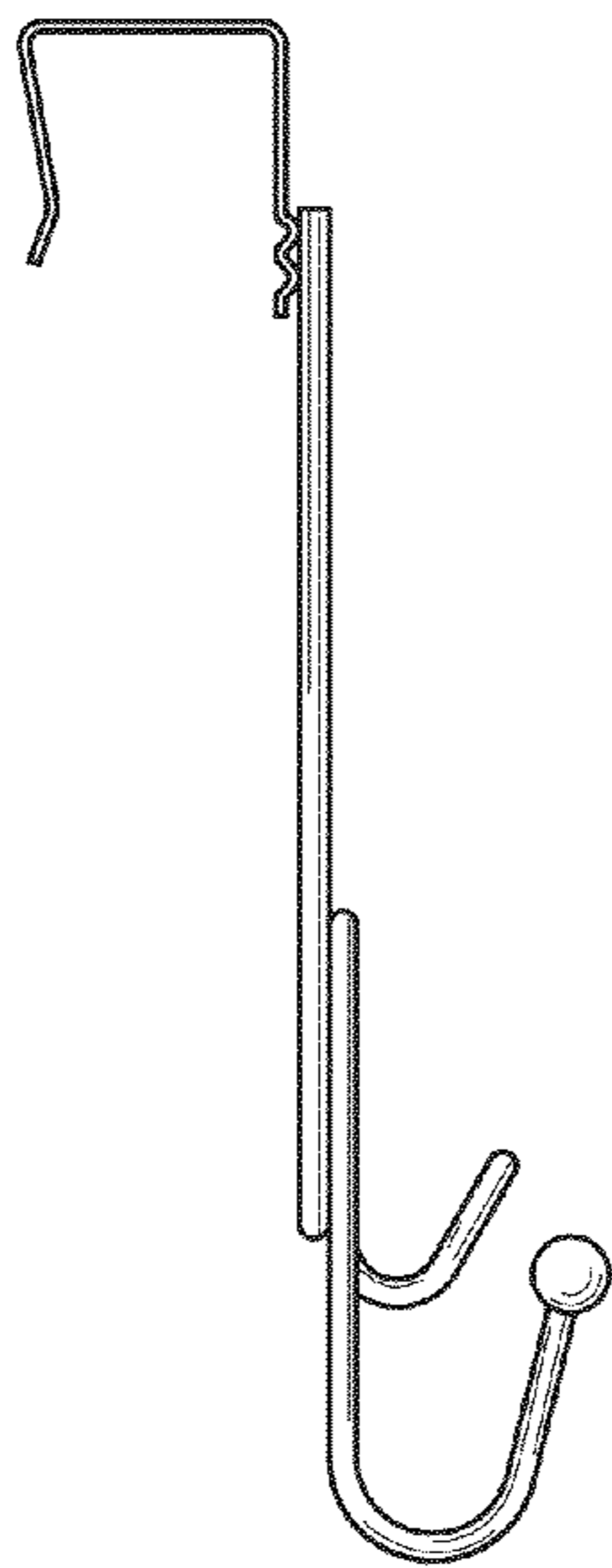


FIG. 4

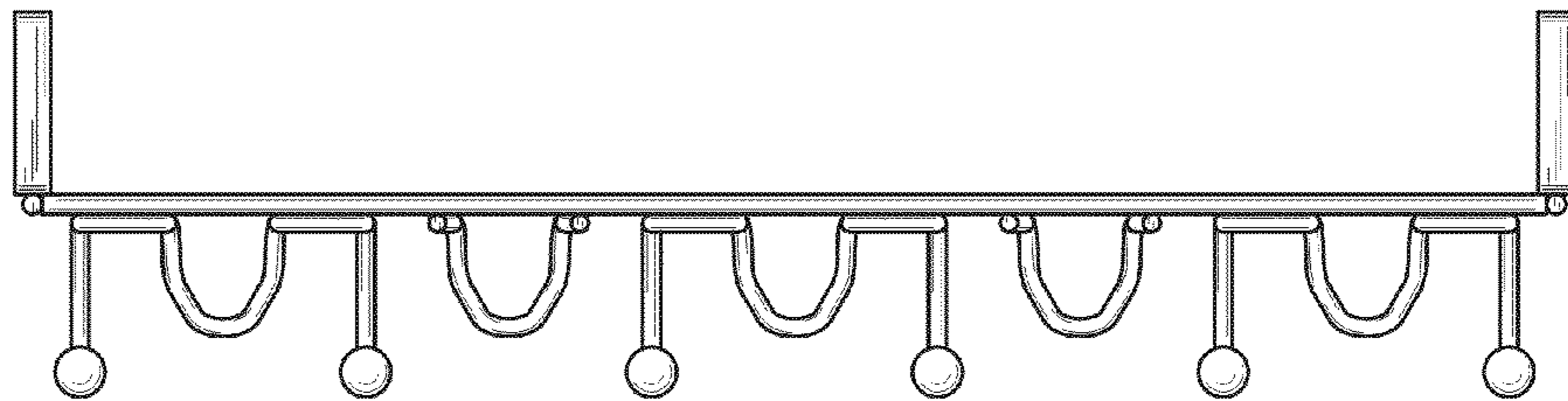


FIG. 5

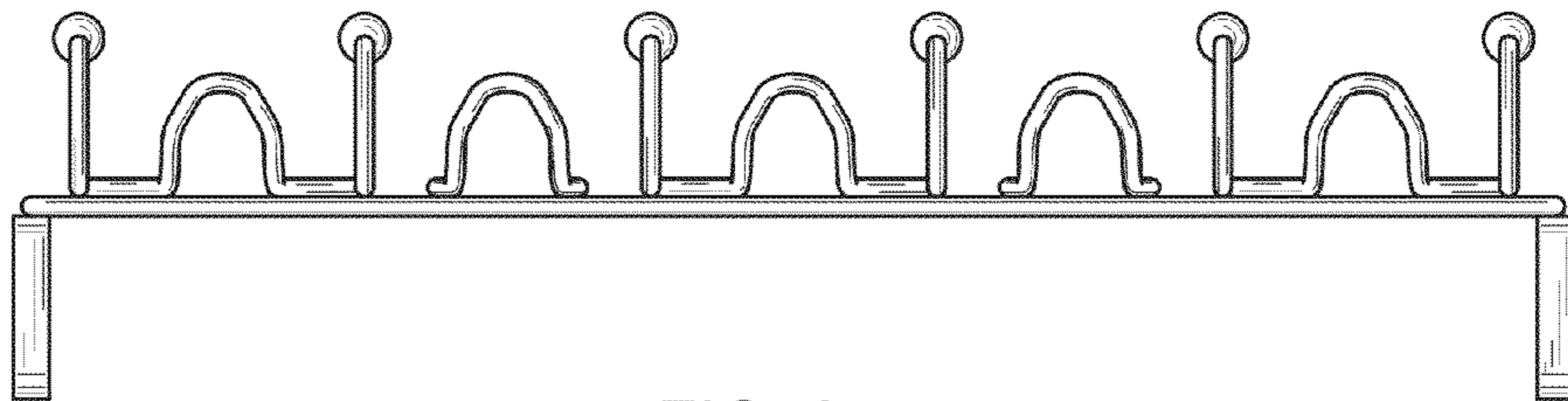


FIG. 6