

US00D699460S

(12) **United States Design Patent**
Bosman

(10) **Patent No.:** **US D699,460 S**
(45) **Date of Patent:** **** Feb. 18, 2014**

- (54) **LOUNGE FURNITURE**
- (71) Applicant: **Krueger International, Inc.**, Green Bay, WI (US)
- (72) Inventor: **Scott A. Bosman**, Green Bay, WI (US)
- (73) Assignee: **Krueger International, Inc.**, Green Bay, WI (US)
- (**) Term: **14 Years**
- (21) Appl. No.: **29/465,564**
- (22) Filed: **Aug. 29, 2013**

- D249,857 S 10/1978 Adkinson
- D251,639 S 4/1979 Colby
- D253,377 S 11/1979 Spound et al.
- D253,378 S 11/1979 Spound et al.
- 4,292,698 A * 10/1981 Acker 5/45
- D261,955 S 11/1981 Aronowitz et al.
- D264,162 S 5/1982 Azzalin
- D264,909 S 6/1982 Caldwell
- D273,351 S 4/1984 Crockett
- D284,142 S * 6/1986 Raftery D6/334
- D290,559 S * 6/1987 Raftery D6/381
- D290,913 S 7/1987 Righter
- D297,080 S 8/1988 Hemberg
- D301,814 S 6/1989 Bush et al.
- D325,834 S 5/1992 Fredrick
- D388,634 S 1/1998 Mulligan et al.
- D444,313 S 7/2001 Hutton
- D455,281 S * 4/2002 Andersen et al. D6/381
- D476,819 S * 7/2003 Williams et al. D6/334
- D486,015 S 2/2004 de Blois
- D490,996 S * 6/2004 Weiss et al. D6/381

Related U.S. Application Data

- (62) Division of application No. 29/411,838, filed on Jan. 26, 2012, now Pat. No. Des. 691,386.

(51) **LOC (10) Cl.** **06-01**

(52) **U.S. Cl.**
USPC **D6/371**

(58) **Field of Classification Search**
USPC D6/334-336, 344-353, 358-381, 388, D6/403, 491-502, 670, 692, 708, 716, D6/716.2-716.4, 717; 5/45; 297/16.1, 22, 297/31, 35, 184.11, 217.1, 228.12, 239, 297/256.16, 271.6, 284.4-284.5, 291, 297, 297/302.4, 411.2, 411.27-411.29, 411.43, 297/423.1, 423.12, 440.1, 440.11, 440.15, 297/440.24, 448.1, 451.4, 452.13, 452.19, 297/452.21, 452.27, 452.29, 452.3, 452.41, 297/452.56, 452.64

See application file for complete search history.

(56) **References Cited**

U.S. PATENT DOCUMENTS

- D169,911 S * 6/1953 Netzer D6/381
- 3,940,181 A 2/1976 Cheek, Jr.
- D248,802 S * 8/1978 Iselin D6/364

(Continued)

Primary Examiner — Ricky Pham

(74) *Attorney, Agent, or Firm* — Andrus Intellectual Property Law, LLP

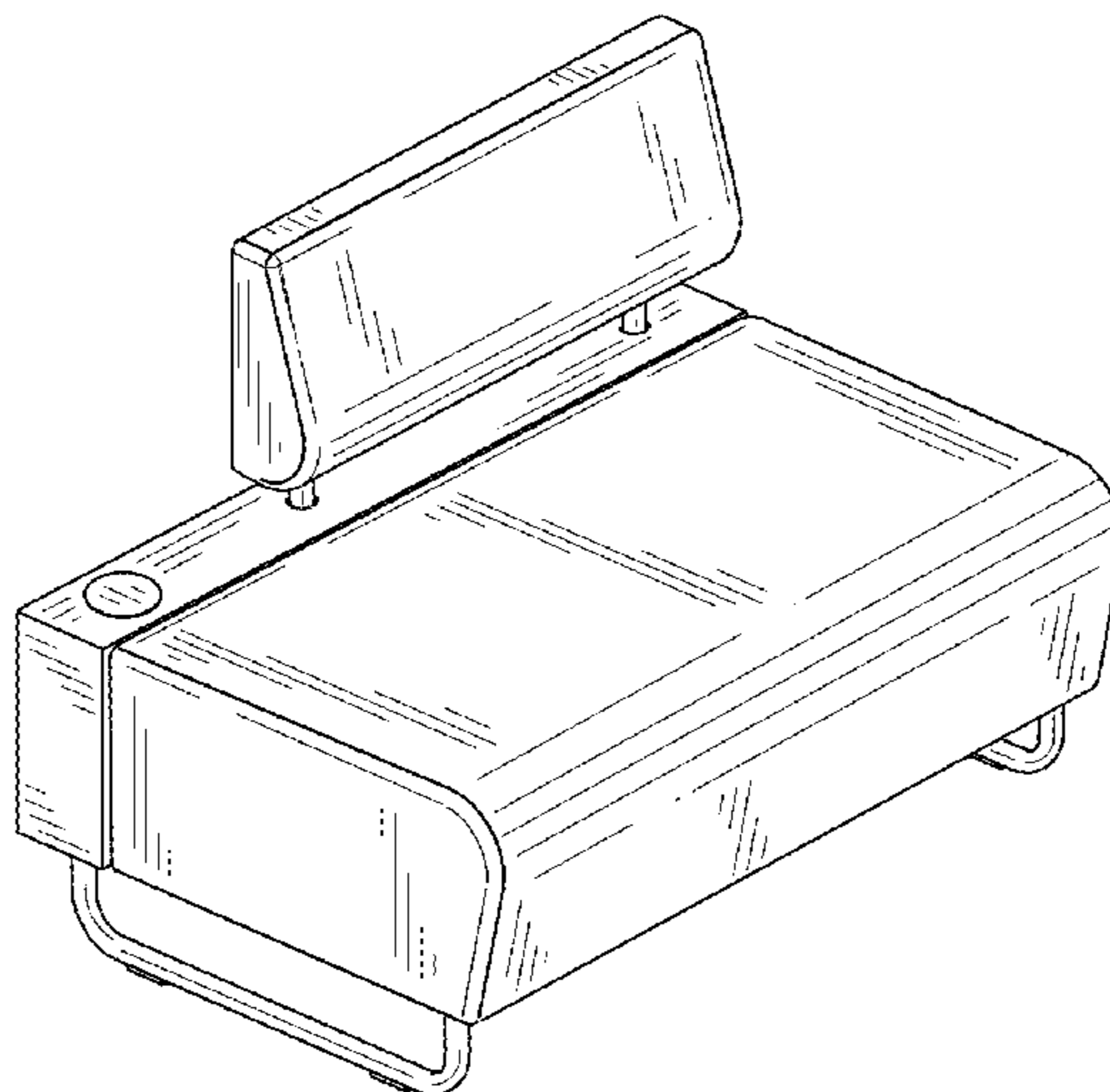
(57) **CLAIM**

The ornamental design for lounge furniture, as shown and described.

DESCRIPTION

FIG. 1 is an isometric view of a piece of lounge furniture; FIG. 2 is a front view thereof; FIG. 3 is a back view thereof; FIG. 4 is a left side view thereof; FIG. 5 is a right side view thereof; FIG. 6 is a top view thereof; FIG. 7 is a bottom view thereof; and, FIG. 8 is an isometric view of another embodiment of a piece of lounge furniture, wherein the embodiment of FIG. 8 is the mirror image of the embodiment of FIG. 1.

1 Claim, 5 Drawing Sheets



(56)

References Cited

U.S. PATENT DOCUMENTS

D493,966 S	8/2004	Rach	
D495,902 S	9/2004	Haberman et al.	
D498,064 S	11/2004	Gomez	
D498,598 S	11/2004	Schweikarth et al.	
D527,196 S *	8/2006	Antonioni	D6/381
D535,483 S	1/2007	Hutton	
D538,549 S *	3/2007	Spear	D6/381
D547,967 S *	8/2007	Oldham	D6/381
D554,874 S	11/2007	Jourdan	
D566,429 S	4/2008	Roberts	
D567,526 S *	4/2008	Williams et al.	D6/381
D569,111 S	5/2008	Swanson	
D571,564 S	6/2008	Schmidt	
D572,946 S	7/2008	Bollen	
D576,805 S	9/2008	Natuzzi	
D578,782 S	10/2008	Cramer et al.	
D580,664 S	11/2008	Cramer et al.	
D580,670 S *	11/2008	Weiss	D6/361
D582,688 S	12/2008	Spear	
D586,131 S	2/2009	Cramer et al.	
D587,918 S *	3/2009	Bergman et al.	D6/381
7,547,073 B2 *	6/2009	White et al.	297/440.1
D602,274 S *	10/2009	Peng et al.	D6/369
D605,430 S	12/2009	Gharabegian	
D612,162 S *	3/2010	Kapasi	D6/349
D616,214 S *	5/2010	Andersen	D6/373
D621,628 S *	8/2010	Saul	D6/335
D623,427 S *	9/2010	Parson	D6/334
D624,328 S *	9/2010	Grandin et al.	D6/381
D639,083 S *	6/2011	Martin	D6/381
D646,072 S *	10/2011	Katina	D6/374
D651,427 S *	1/2012	Cox	D6/375
D657,155 S *	4/2012	Grandin et al.	D6/381
D691,386 S *	10/2013	Bosman	D6/371

* cited by examiner

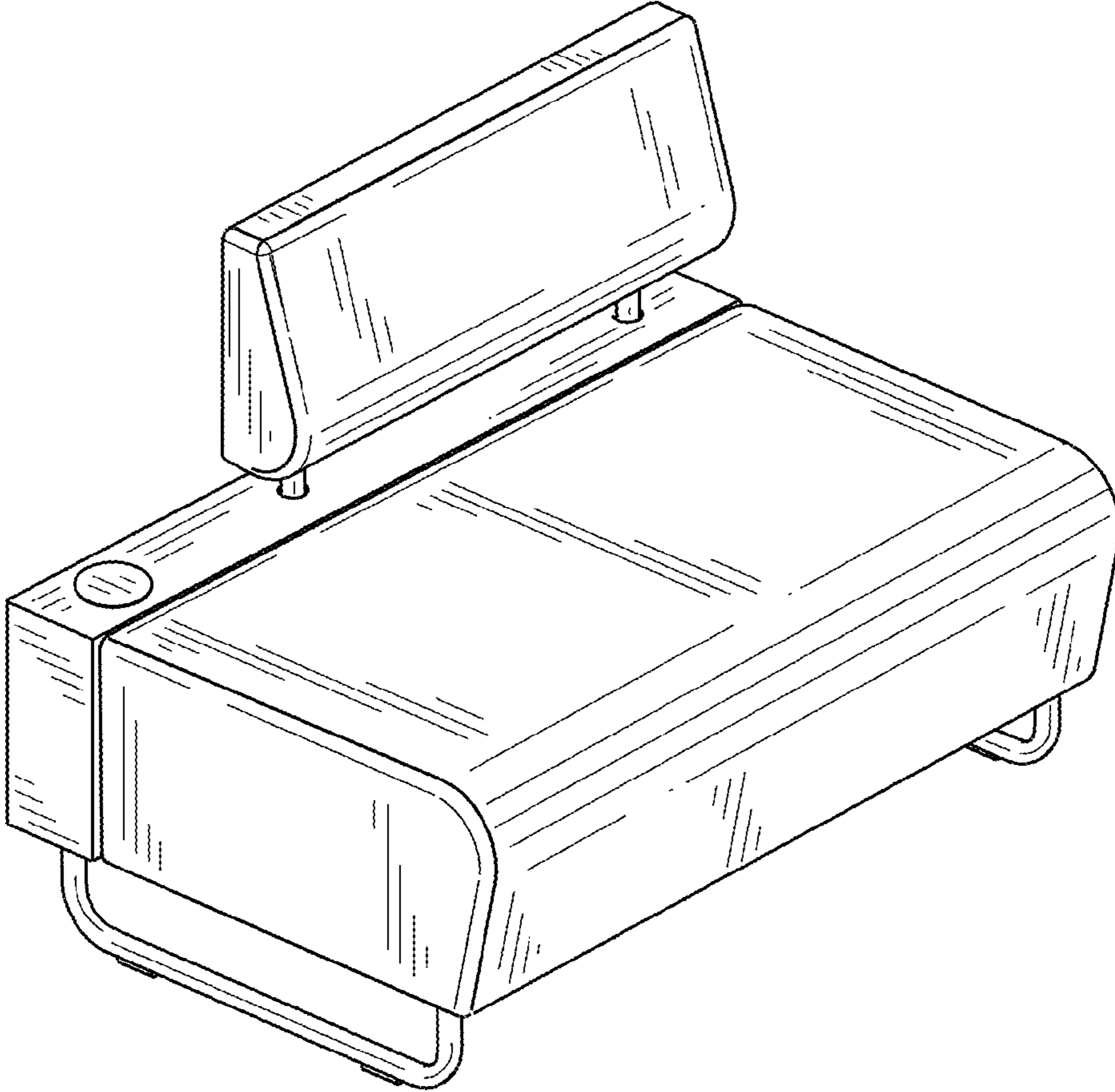


FIG. 1

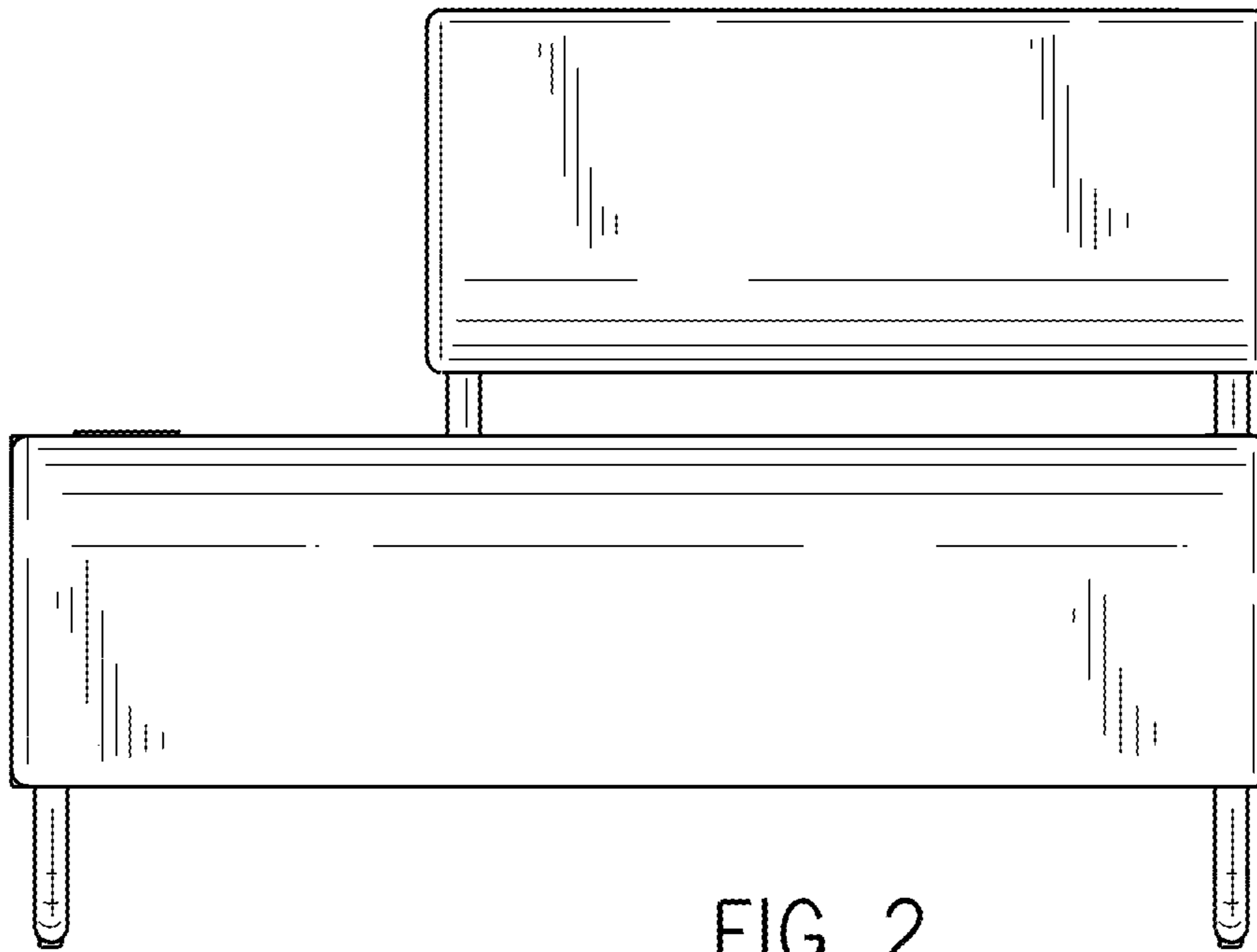


FIG. 2

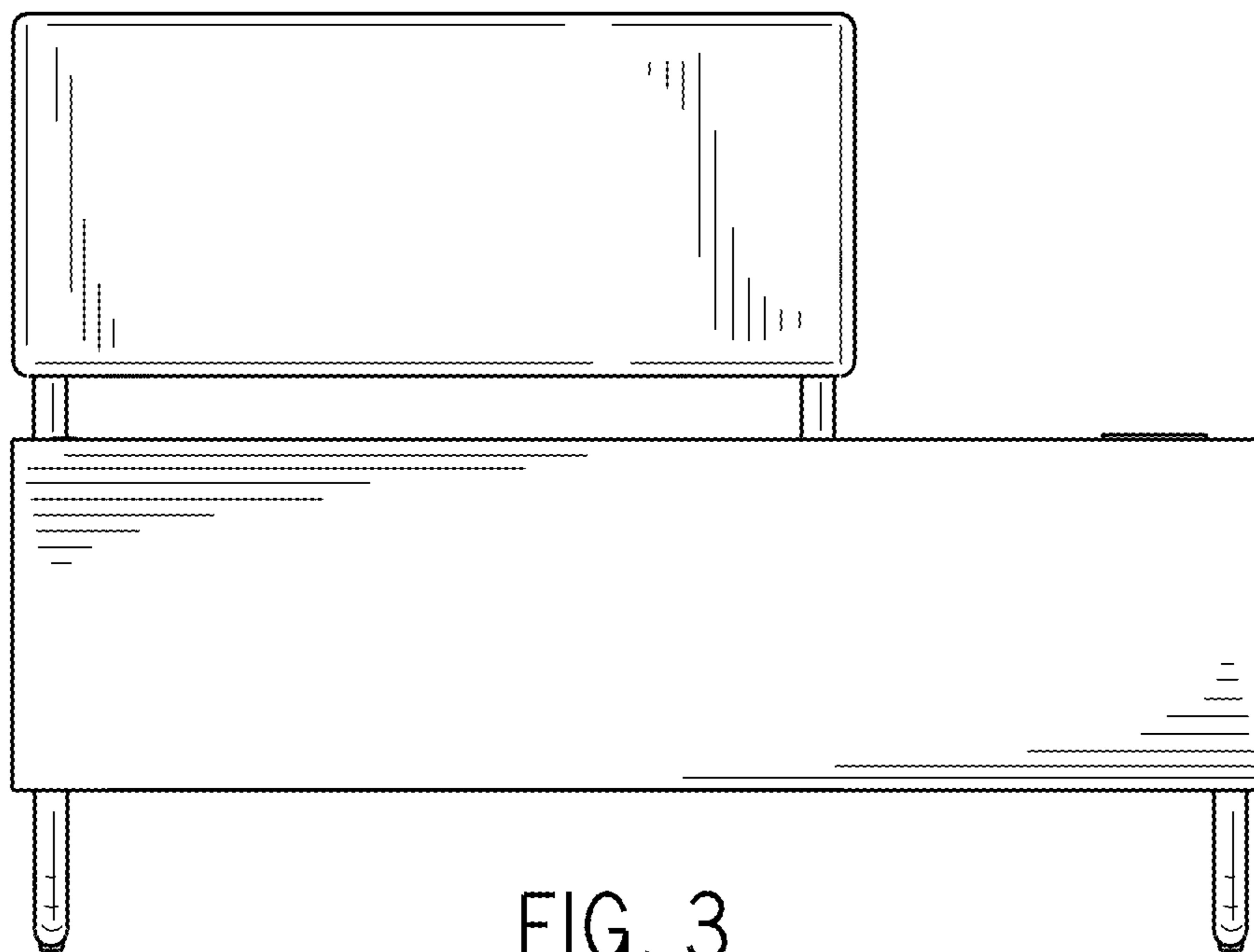


FIG. 3

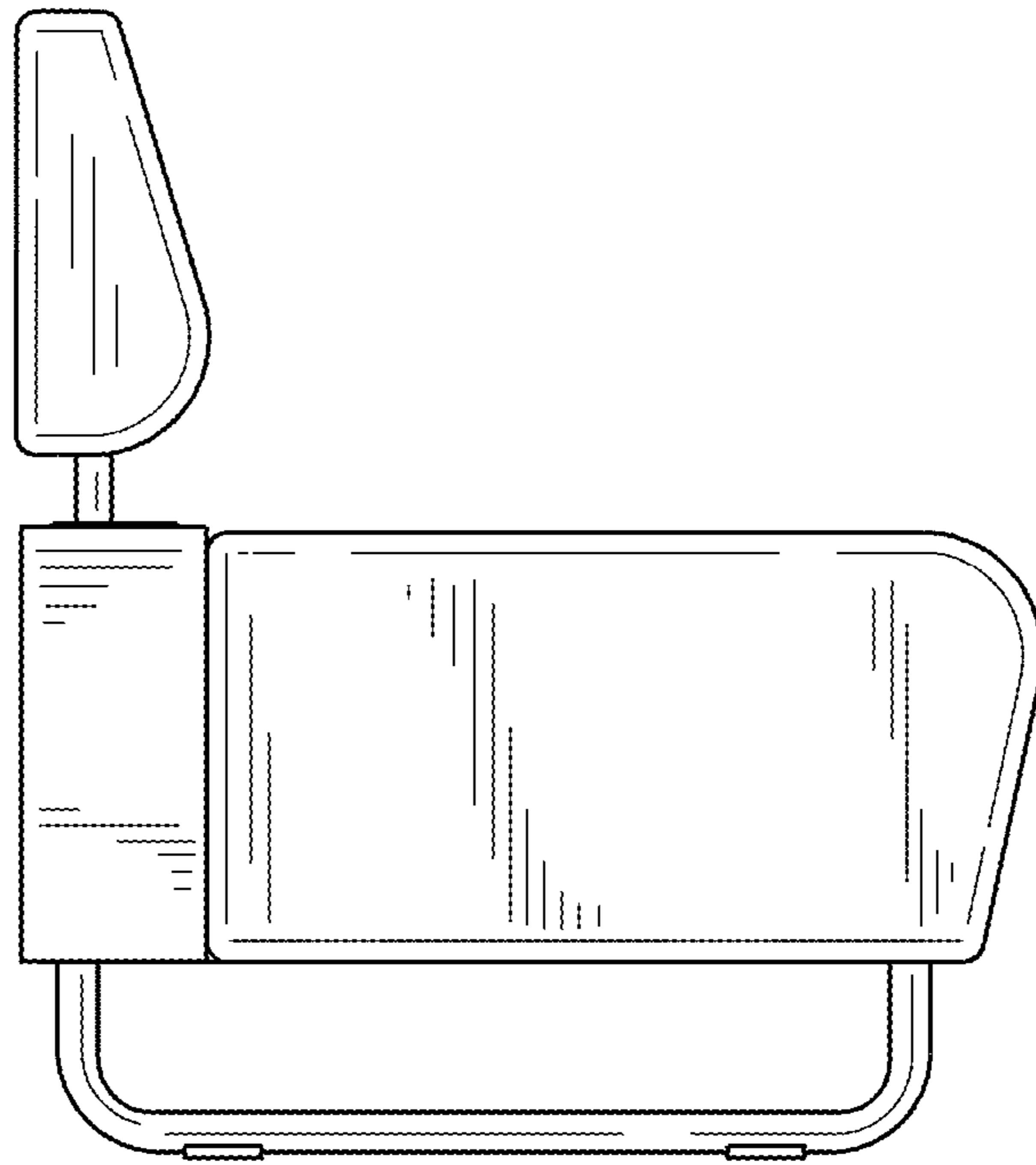


FIG. 4

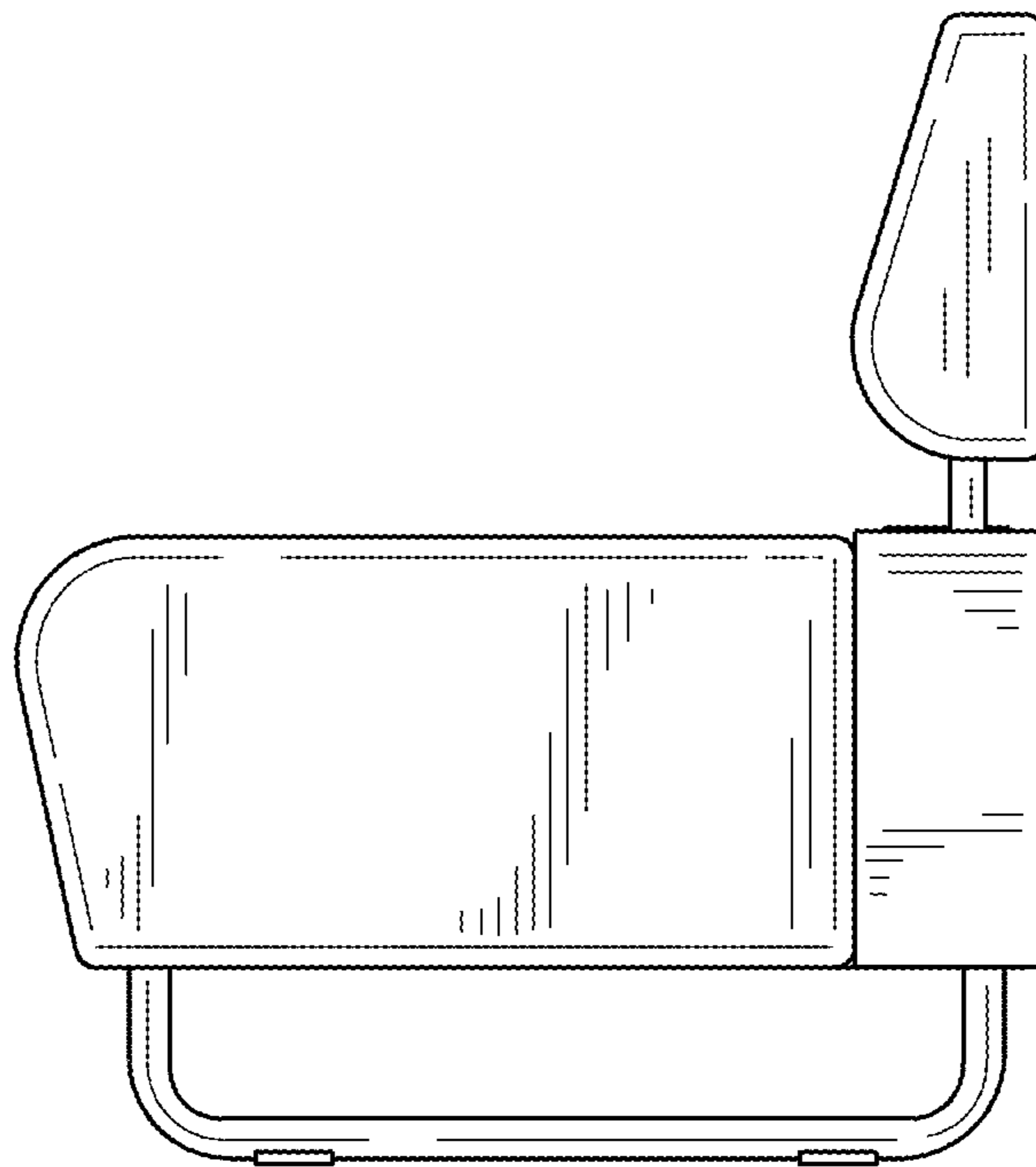


FIG. 5

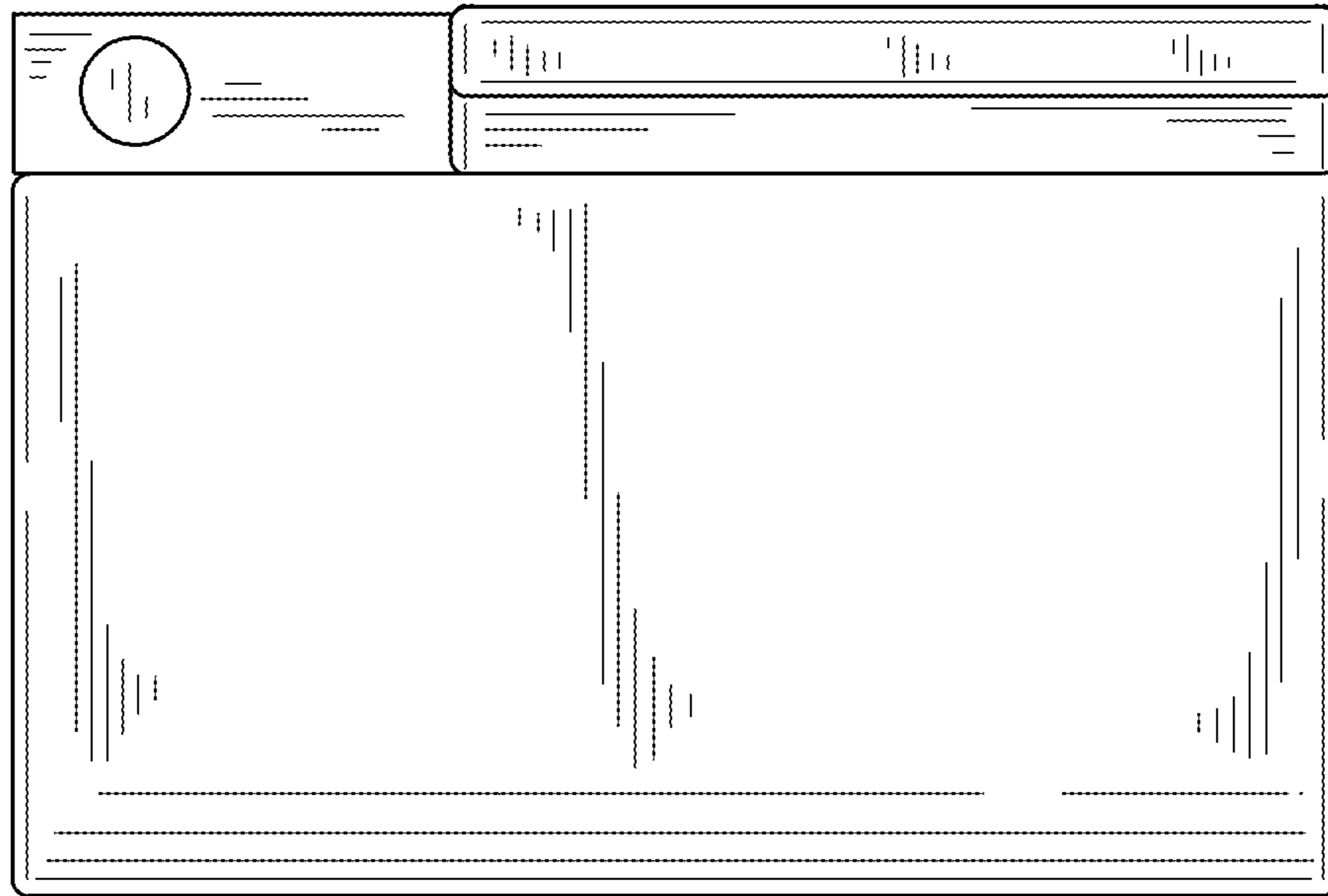


FIG. 6

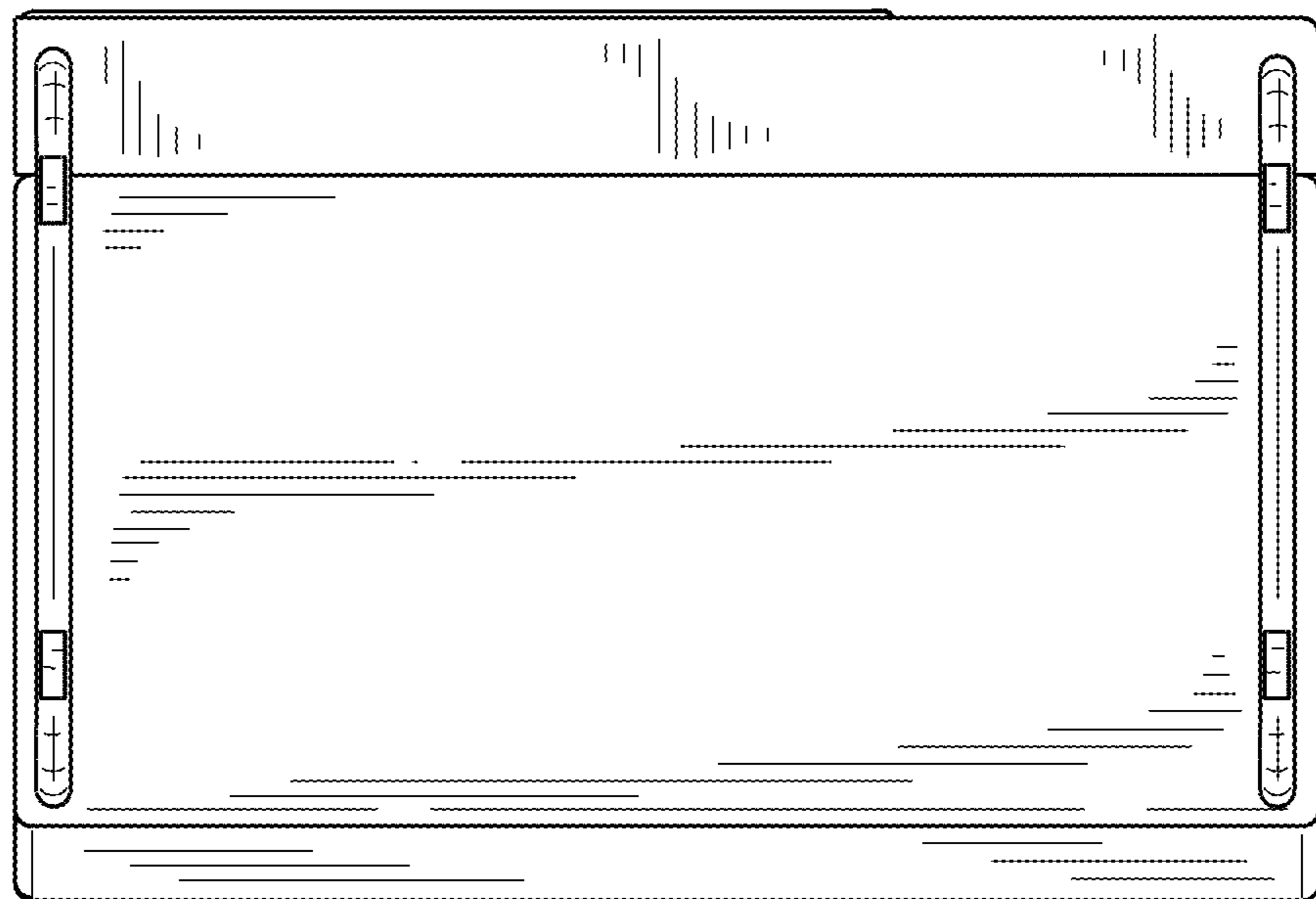


FIG. 7

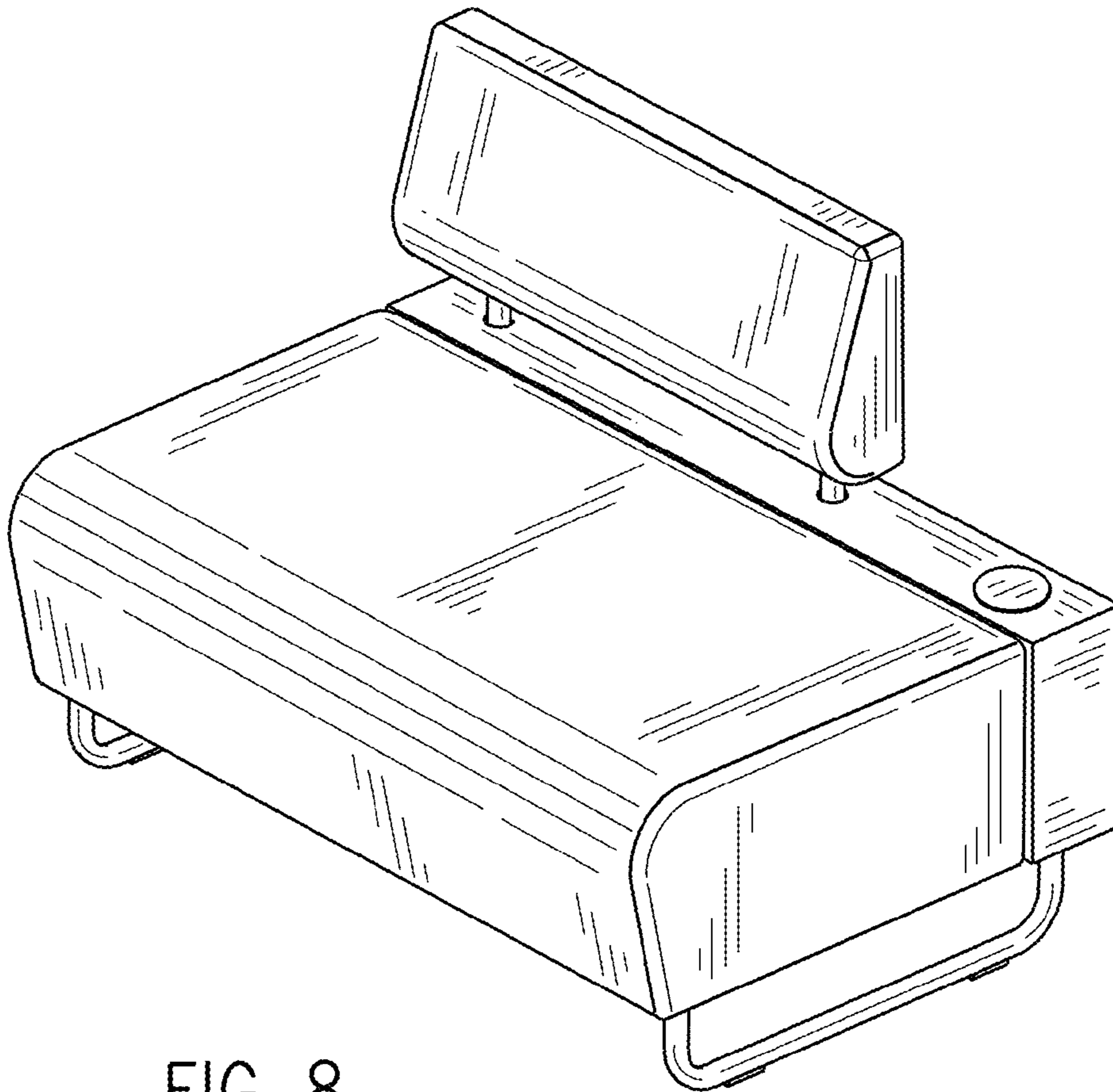


FIG. 8