



US00D699459S

(12) **United States Design Patent**
Manea

(10) **Patent No.:** **US D699,459 S**

(45) **Date of Patent:** **** Feb. 18, 2014**

(54) **CHAIR**

(71) Applicant: **Mircea Manea**, San Francisco, CA (US)

(72) Inventor: **Mircea Manea**, San Francisco, CA (US)

(**) Term: **14 Years**

(21) Appl. No.: **29/451,870**

(22) Filed: **Apr. 9, 2013**

(51) **LOC (10) Cl.** **06-01**

(52) **U.S. Cl.**
USPC **D6/370**

(58) **Field of Classification Search**
USPC D6/334-336, 344-353, 358-381, 388,
D6/403, 491-502, 692, 708, 716,
D6/716.2-716.4; 297/16.1, 22, 31, 35,
297/217.1, 228.12, 248, 256.16, 271.6,
297/284.4-284.5, 291, 297, 302.4, 411.2,
297/411.27-411.29, 411.43, 423.1, 423.12,
297/440.11, 440.15, 440.21-440.24, 448.1,
297/451.4, 452.13, 452.19, 452.21, 452.27,
297/452.29, 452.3, 452.41, 452.56, 452.64

See application file for complete search history.

(56) **References Cited**

U.S. PATENT DOCUMENTS

| | | | | | |
|------------|---|---------|--------------|-------|--------|
| D80,085 S | * | 12/1929 | Nevin | | D6/369 |
| D228,989 S | * | 11/1973 | Furey | | D6/380 |
| D244,898 S | * | 7/1977 | Rocchia | | D6/358 |
| D259,841 S | * | 7/1981 | Mioni | | D6/380 |
| D367,370 S | * | 2/1996 | Berry et al. | | D6/374 |
| D372,598 S | * | 8/1996 | Ungaro | | D6/380 |
| D374,131 S | * | 10/1996 | Muller | | D6/380 |
| D386,912 S | * | 12/1997 | Diaz-Azcuy | | D6/380 |

| | | | | | |
|------------|---|---------|--------------------|-------|--------|
| D390,031 S | * | 2/1998 | Diaz-Azcuy | | D6/380 |
| D396,366 S | * | 7/1998 | Swy | | D6/502 |
| D413,739 S | * | 9/1999 | Wilson | | D6/376 |
| D414,620 S | * | 10/1999 | Kabadayan | | D6/380 |
| D438,396 S | * | 3/2001 | Buehler | | D6/370 |
| D444,010 S | * | 6/2001 | Ambrosio | | D6/502 |
| D461,078 S | * | 8/2002 | Swy et al. | | D6/502 |
| D464,493 S | * | 10/2002 | Stannard | | D6/368 |
| D494,375 S | * | 8/2004 | Starck | | D6/374 |
| D497,729 S | * | 11/2004 | Peitz et al. | | D6/379 |
| D515,330 S | * | 2/2006 | Lucci et al. | | D6/380 |
| D544,229 S | * | 6/2007 | Bartlmae | | D6/374 |
| D544,236 S | * | 6/2007 | Swy et al. | | D6/380 |
| D618,006 S | * | 6/2010 | Price et al. | | D6/380 |
| D649,803 S | * | 12/2011 | Chiaramonte et al. | | D6/376 |
| D651,018 S | * | 12/2011 | Manea | | D6/380 |
| D677,480 S | * | 3/2013 | Starck et al. | | D6/360 |
| D686,425 S | * | 7/2013 | Behrens et al. | | D6/376 |

* cited by examiner

Primary Examiner — Ricky Pham

(74) *Attorney, Agent, or Firm* — QuickPatents; Kevin Prince

(57) **CLAIM**

I claim the ornamental design for a chair, as shown and described.

DESCRIPTION

FIG. 1 is a perspective view of a chair, showing my new design;

FIG. 2 is a front elevational view thereof;

FIG. 3 is a rear elevational view thereof;

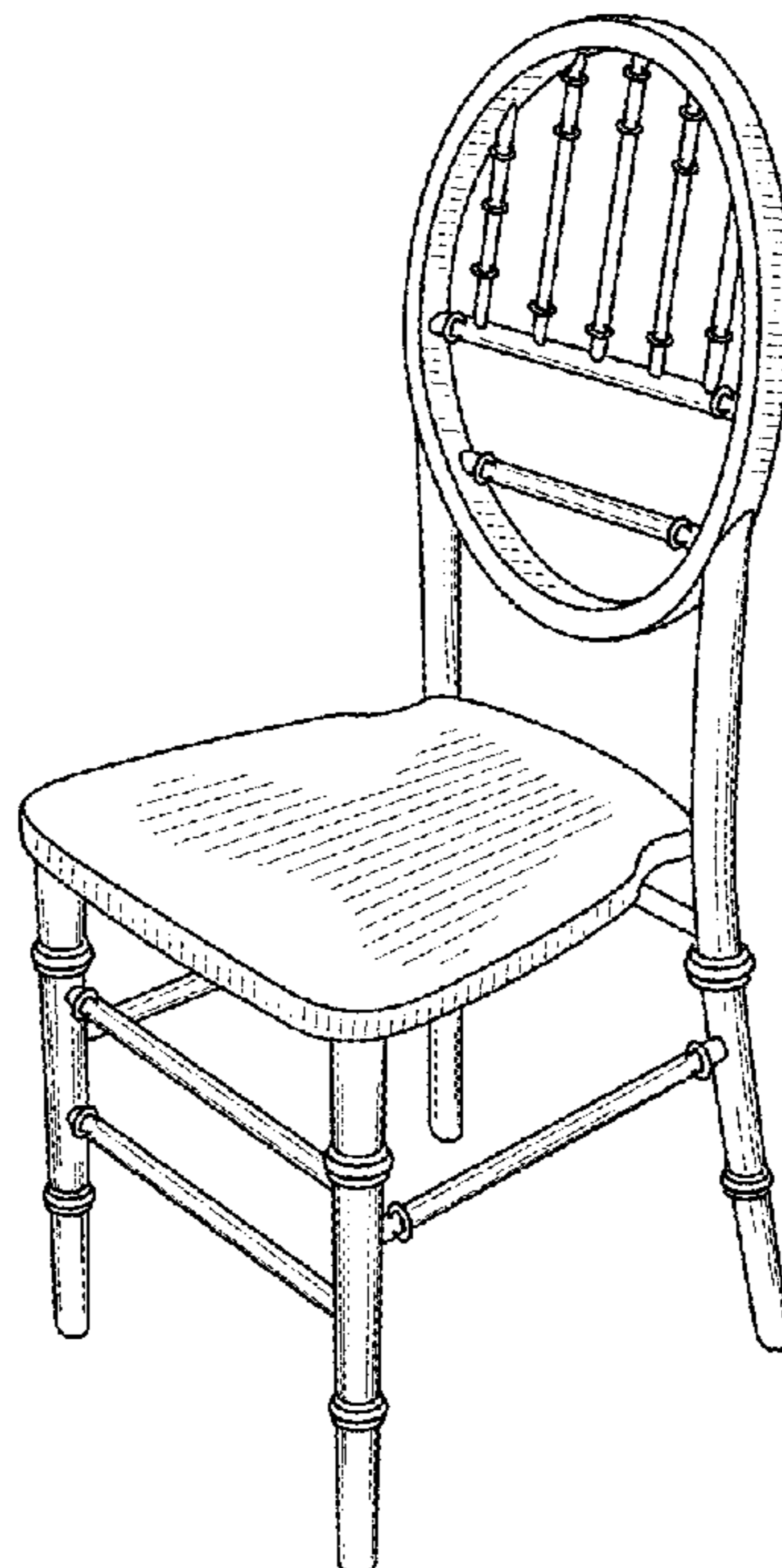
FIG. 4 is a left-side elevational view thereof;

FIG. 5 is a right-side elevational view thereof;

FIG. 6 is a top plan view thereof; and,

FIG. 7 is a bottom plan view thereof.

1 Claim, 2 Drawing Sheets



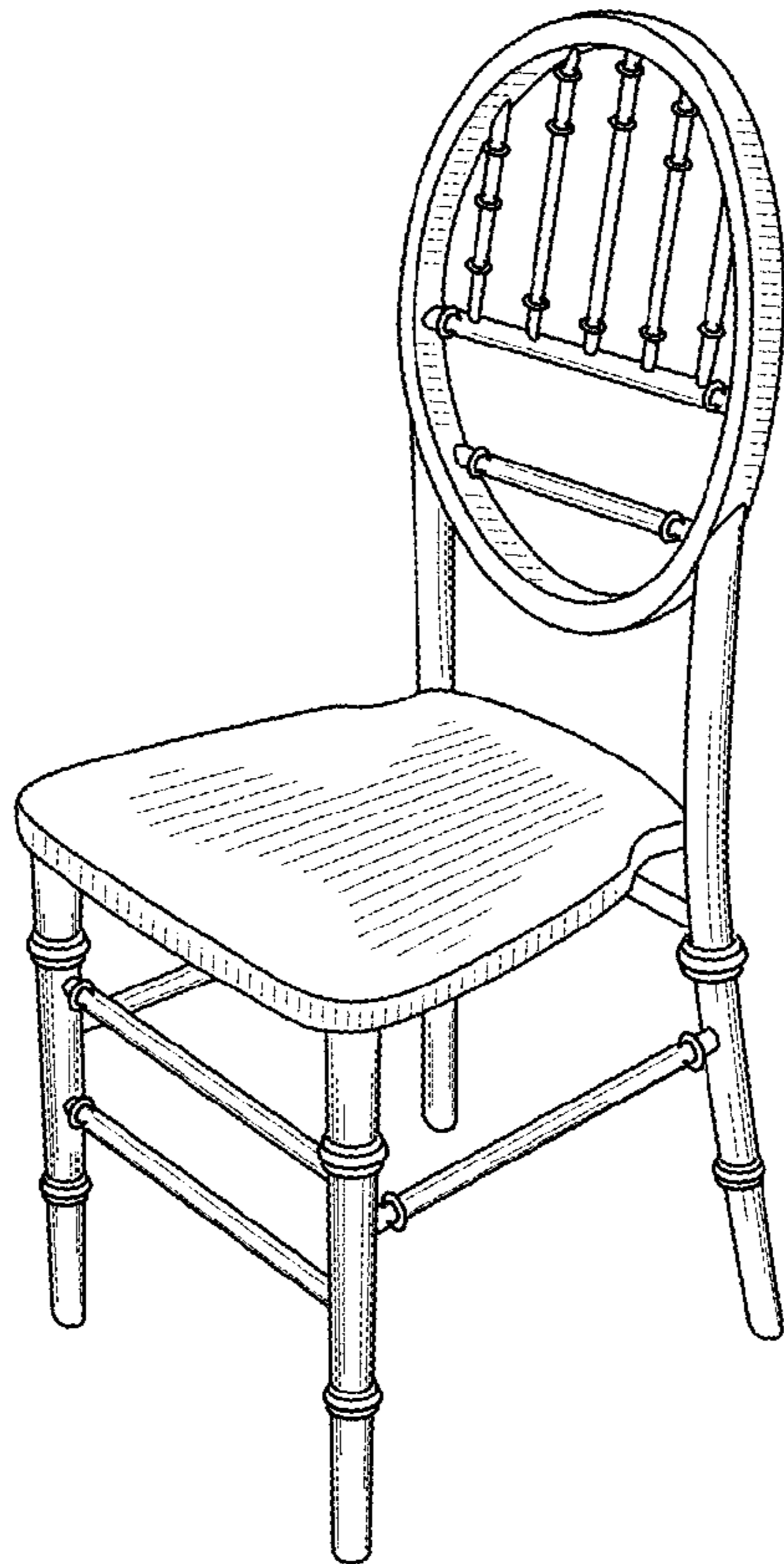


FIG. 1

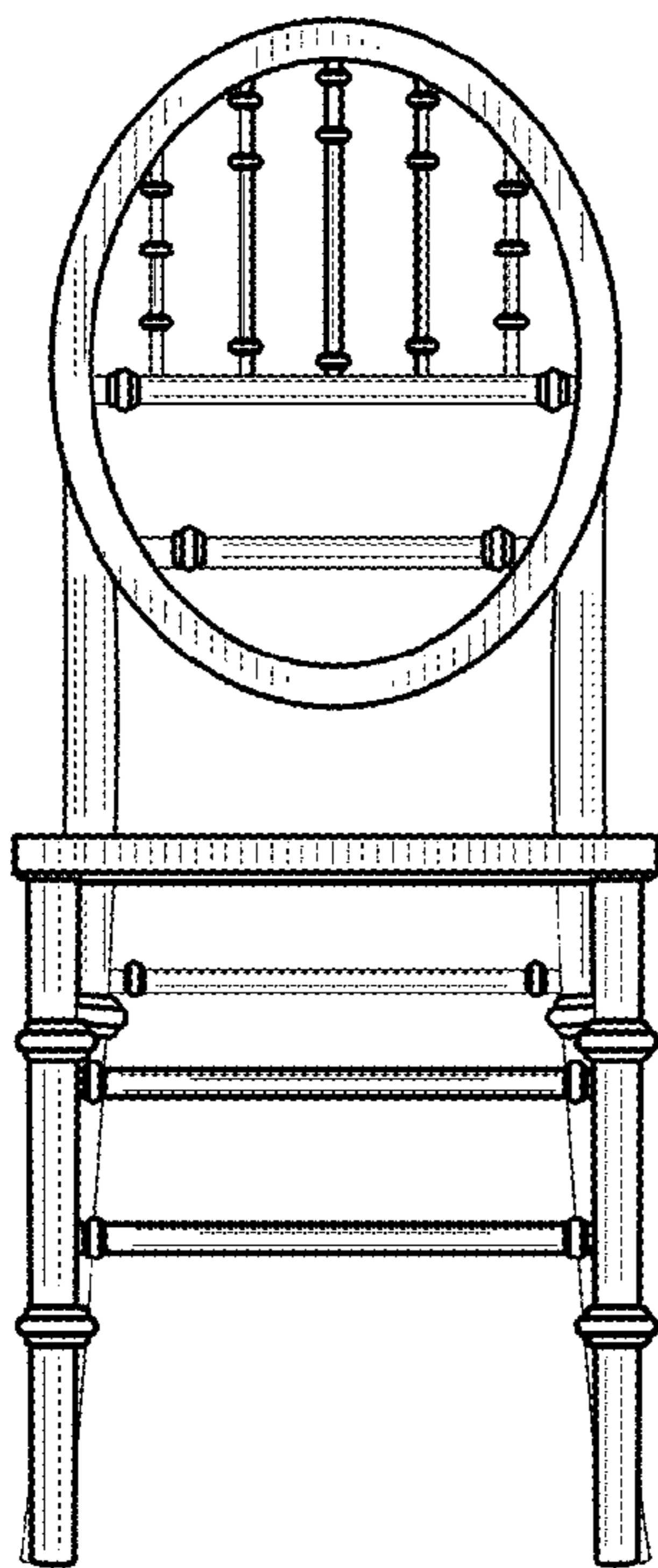


FIG. 2

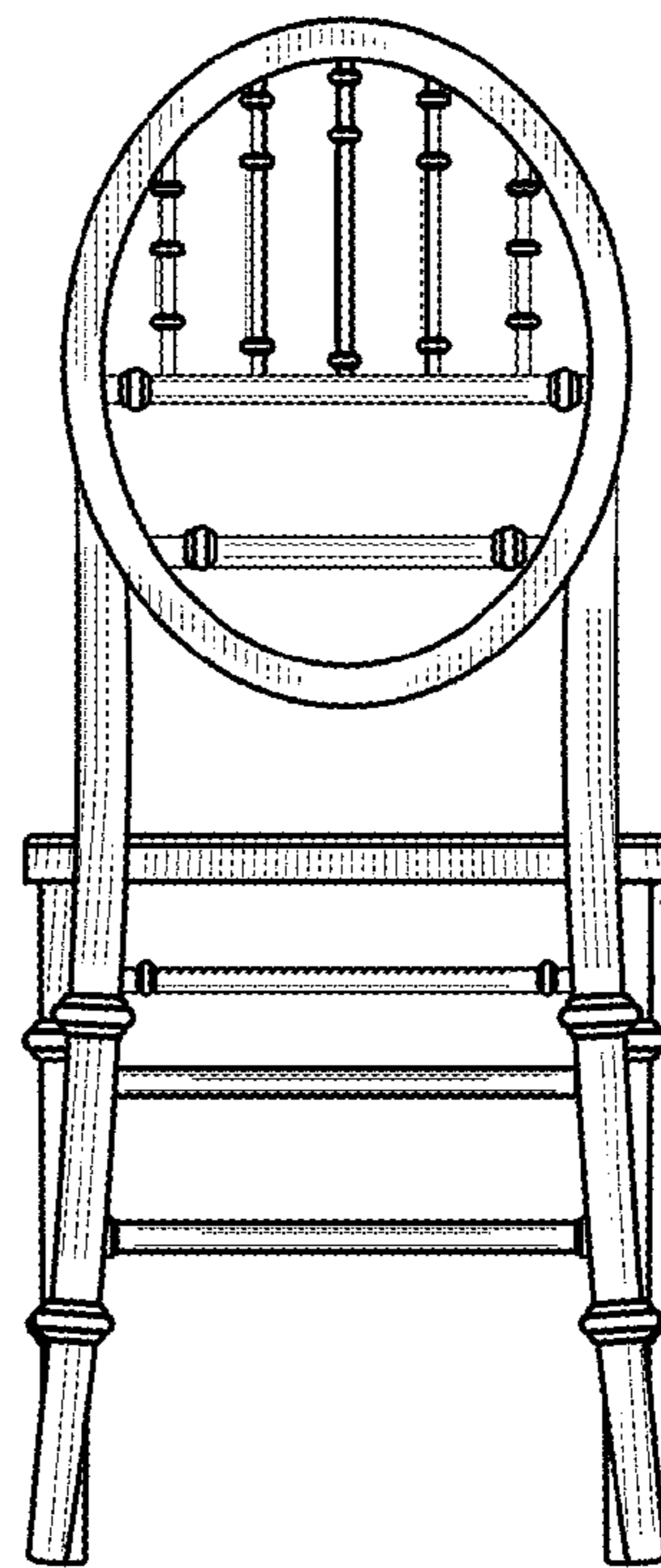


FIG. 3

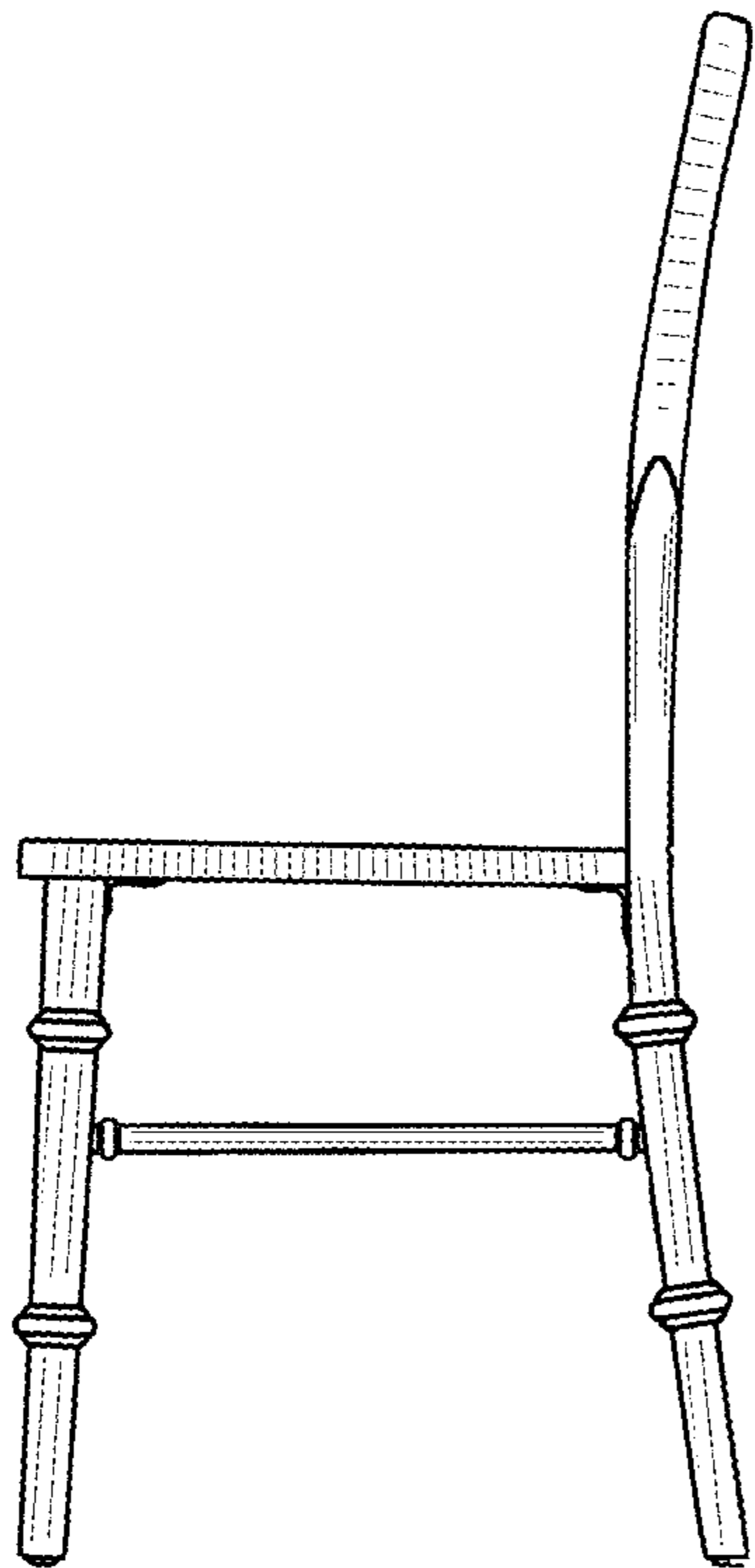


FIG. 4

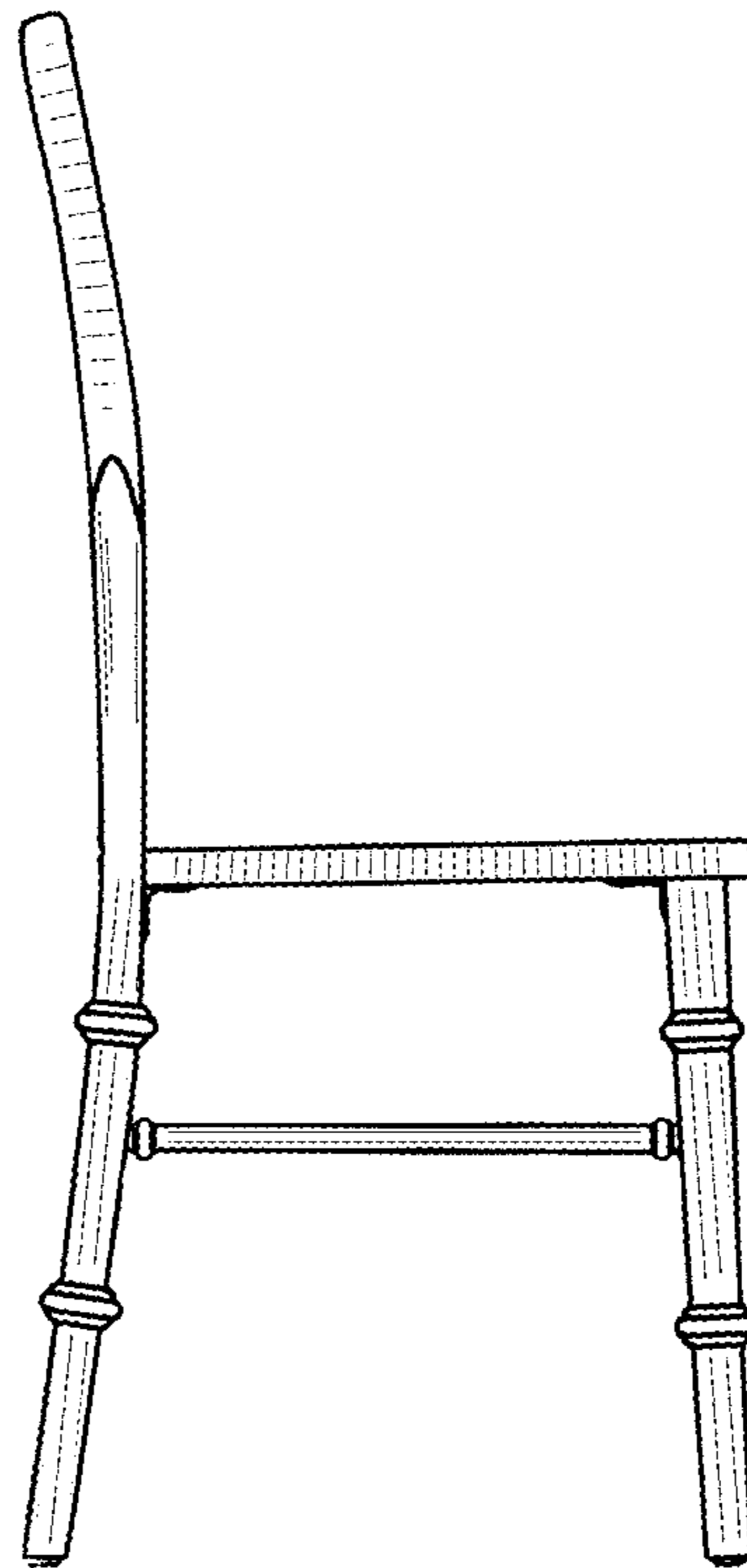


FIG. 5

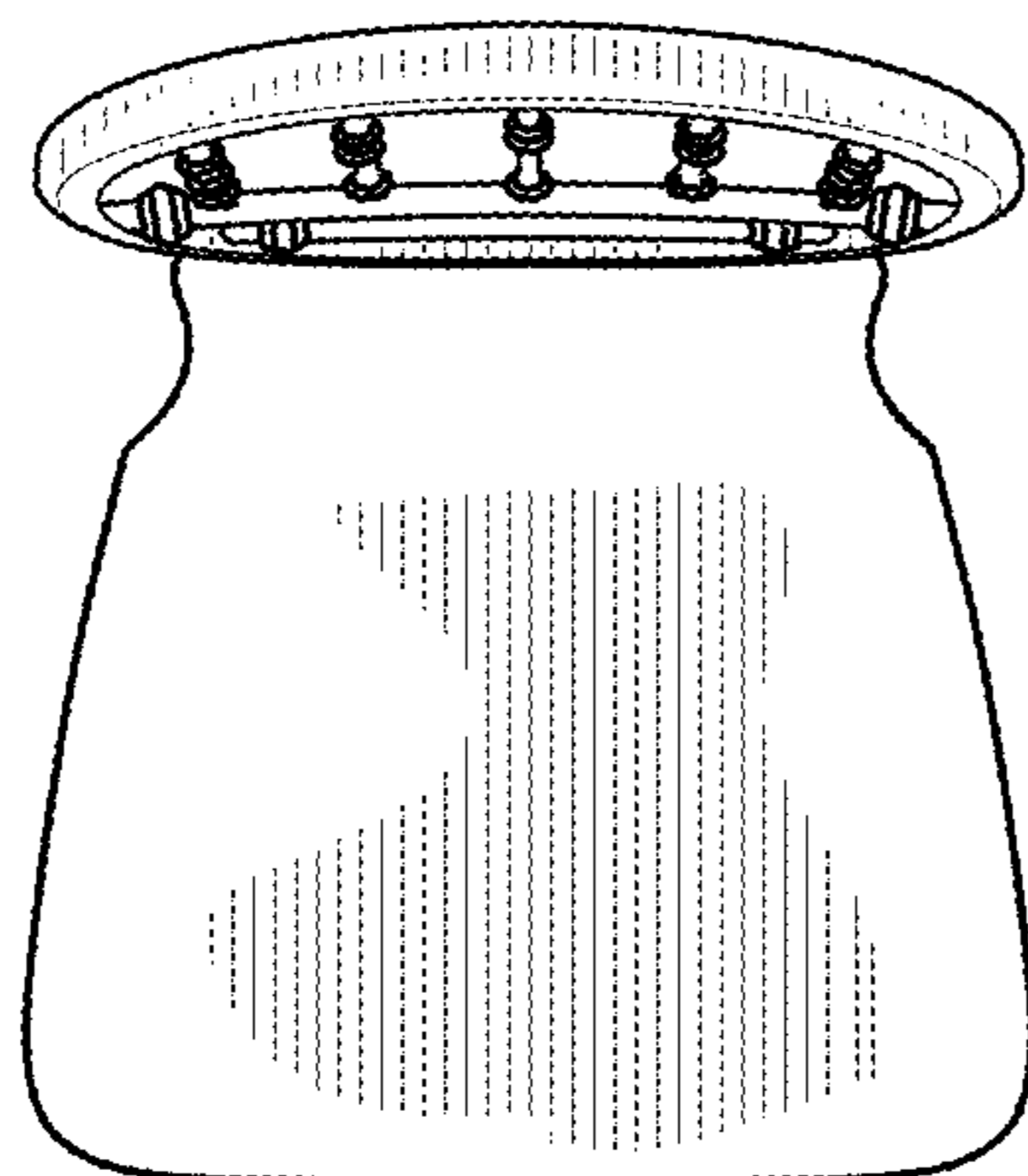


FIG. 6

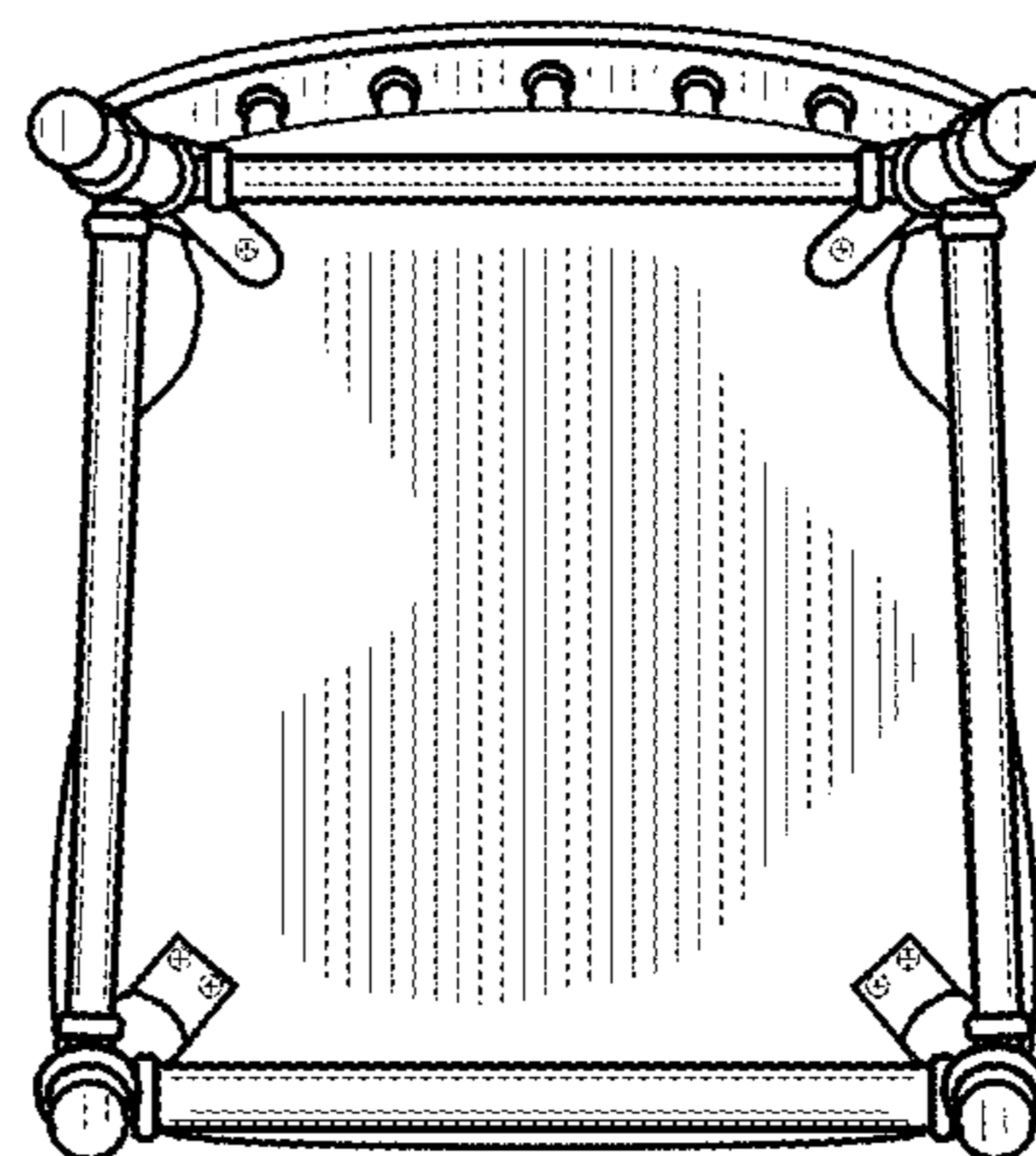


FIG. 7