

US00D699457S

(12) **United States Design Patent**
Bosman

(10) **Patent No.:** **US D699,457 S**
(45) **Date of Patent:** **** Feb. 18, 2014**

- (54) **LOUNGE FURNITURE OTTOMAN**
- (71) Applicant: **Krueger International, Inc.**, Green Bay, WI (US)
- (72) Inventor: **Scott A. Bosman**, Green Bay, WI (US)
- (73) Assignee: **Krueger International, Inc.**, Green Bay, WI (US)
- (**) Term: **14 Years**
- (21) Appl. No.: **29/465,570**
- (22) Filed: **Aug. 29, 2013**

- D249,857 S 10/1978 Adkinson
- D251,639 S 4/1979 Colby
- D252,057 S * 6/1979 Spound et al. D6/349
- D253,377 S 11/1979 Spound et al.
- D253,378 S 11/1979 Spound et al.
- D261,955 S 11/1981 Aronowitz et al.
- D264,162 S 5/1982 Azzalin
- D264,909 S 6/1982 Caldwell
- D265,529 S * 7/1982 Mascheroni D6/352
- D273,351 S 4/1984 Crockett
- D290,788 S * 7/1987 Raftery D6/355
- D290,913 S 7/1987 Righter
- D297,080 S 8/1988 Hemberg
- D301,814 S 6/1989 Bush et al.
- D325,834 S 5/1992 Fredrick
- D388,634 S 1/1998 Mulligan et al.
- D444,313 S 7/2001 Hutton
- D486,015 S 2/2004 de Blois
- D493,966 S 8/2004 Rach
- D495,902 S 9/2004 Haberman et al.
- D497,727 S * 11/2004 Monsalve et al. D6/355
- D498,064 S 11/2004 Gomez
- D498,598 S 11/2004 Schweikarth et al.

Related U.S. Application Data

- (62) Division of application No. 29/411,838, filed on Jan. 26, 2012, now Pat. No. Des. 691,386.

(51) **LOC (10) Cl.** **06-01**

(52) **U.S. Cl.**
USPC **D6/349**

(58) **Field of Classification Search**
USPC D6/334-338, 344-355, 358-381, 388, D6/403, 491-502, 657, 670, 691, 691.8, D6/692, 708, 716, 716.2-716.4, 717; 297/16.1, 22, 31, 35, 184.11, 217.1, 297/228.12, 239, 256.16, 271.6, 297/284.4-284.5, 291, 297, 302.4, 411.2, 297/411.27-411.29, 411.43, 423.1, 423.12, 297/440.1, 440.11, 440.15, 440.24, 448.1, 297/451.4, 452.13, 452.19, 452.21, 452.27, 297/452.29, 452.3, 452.41, 452.56, 452.64
See application file for complete search history.

(56) **References Cited**

U.S. PATENT DOCUMENTS

- 3,940,181 A 2/1976 Cheek, Jr.
- D240,481 S * 7/1976 Fister D6/378

(Continued)

Primary Examiner — Ricky Pham

(74) *Attorney, Agent, or Firm* — Andrus Intellectual Property Law, LLP

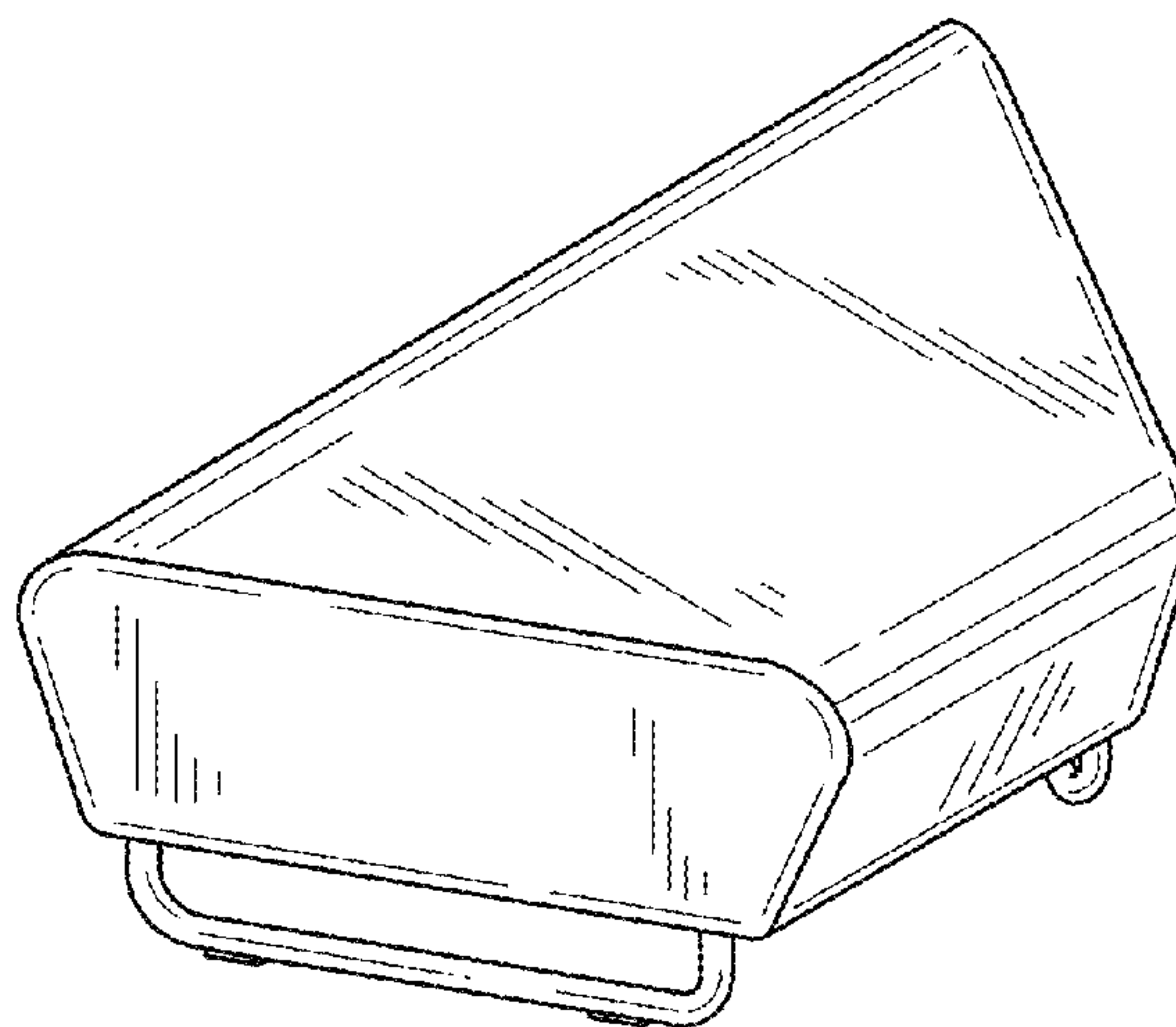
(57) **CLAIM**

The ornamental design for a lounge furniture ottoman, as shown and described.

DESCRIPTION

FIG. 1 is an isometric view of a piece of lounge furniture ottoman showing my new design;
FIG. 2 is a top view thereof;
FIG. 3 is a bottom view thereof;
FIG. 4 is a front view thereof;
FIG. 5 is a back view thereof; and,
FIG. 6 is a left side view thereof, wherein the right side view is a mirror image thereof.

1 Claim, 2 Drawing Sheets



(56)

References Cited

U.S. PATENT DOCUMENTS

D535,483 S 1/2007 Hutton
D554,874 S 11/2007 Jourdan
D566,429 S 4/2008 Roberts
D569,111 S 5/2008 Swanson
D571,564 S 6/2008 Schmidt
D572,946 S 7/2008 Bollen
D576,805 S 9/2008 Natuzzi
D578,782 S 10/2008 Cramer et al.
D580,664 S 11/2008 Cramer et al.

D582,688 S 12/2008 Spear
D586,131 S 2/2009 Cramer et al.
D605,430 S 12/2009 Gharabegian
D612,162 S * 3/2010 Kapasi D6/349
D618,923 S * 7/2010 Vu D6/338
D624,328 S * 9/2010 Grandin et al. D6/381
D627,982 S * 11/2010 Shen D6/349
D656,327 S * 3/2012 Metcalf et al. D6/349
D657,155 S * 4/2012 Grandin et al. D6/381
D669,697 S * 10/2012 Lade D6/349
D691,386 S * 10/2013 Bosman D6/371

* cited by examiner

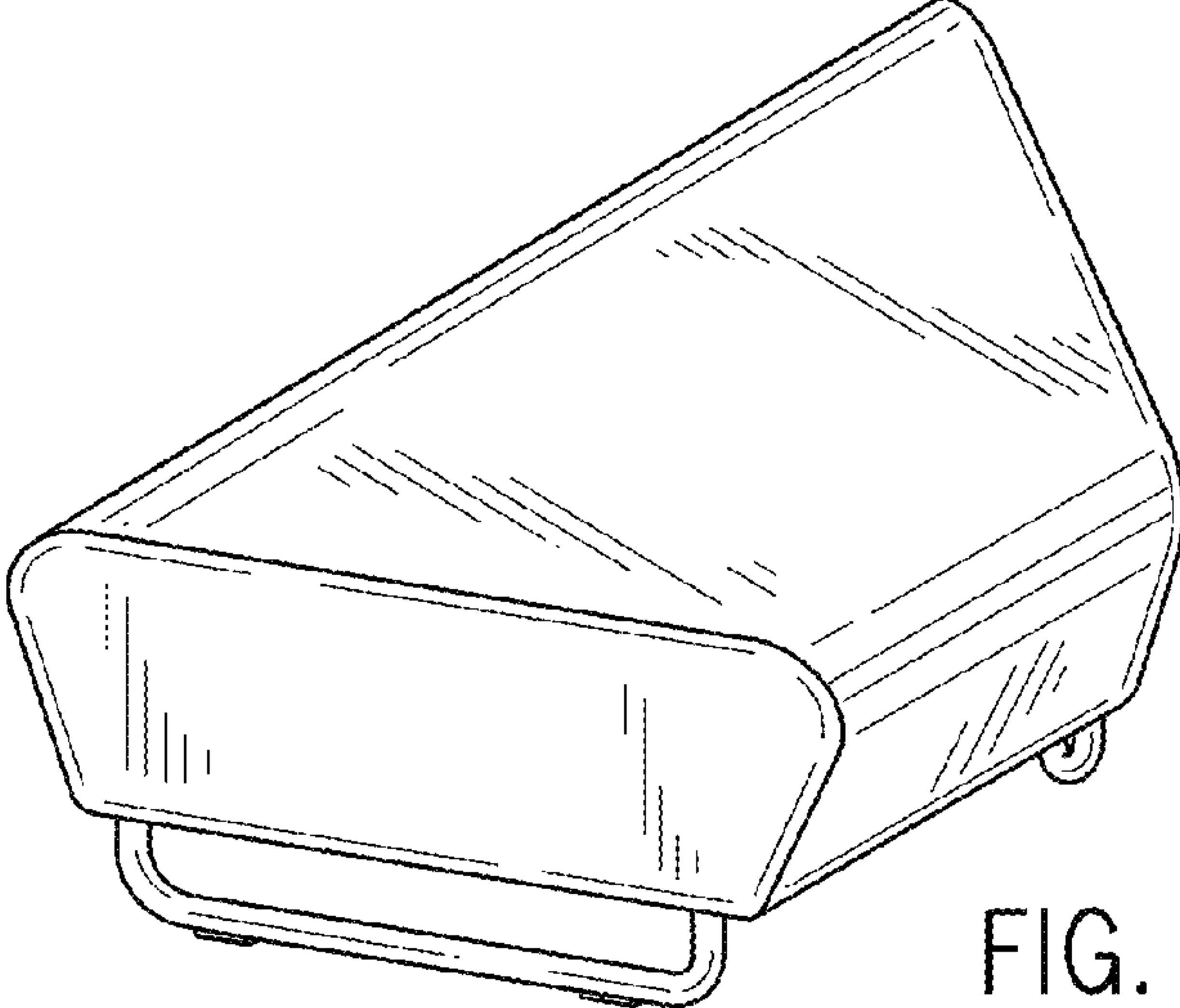


FIG. 1

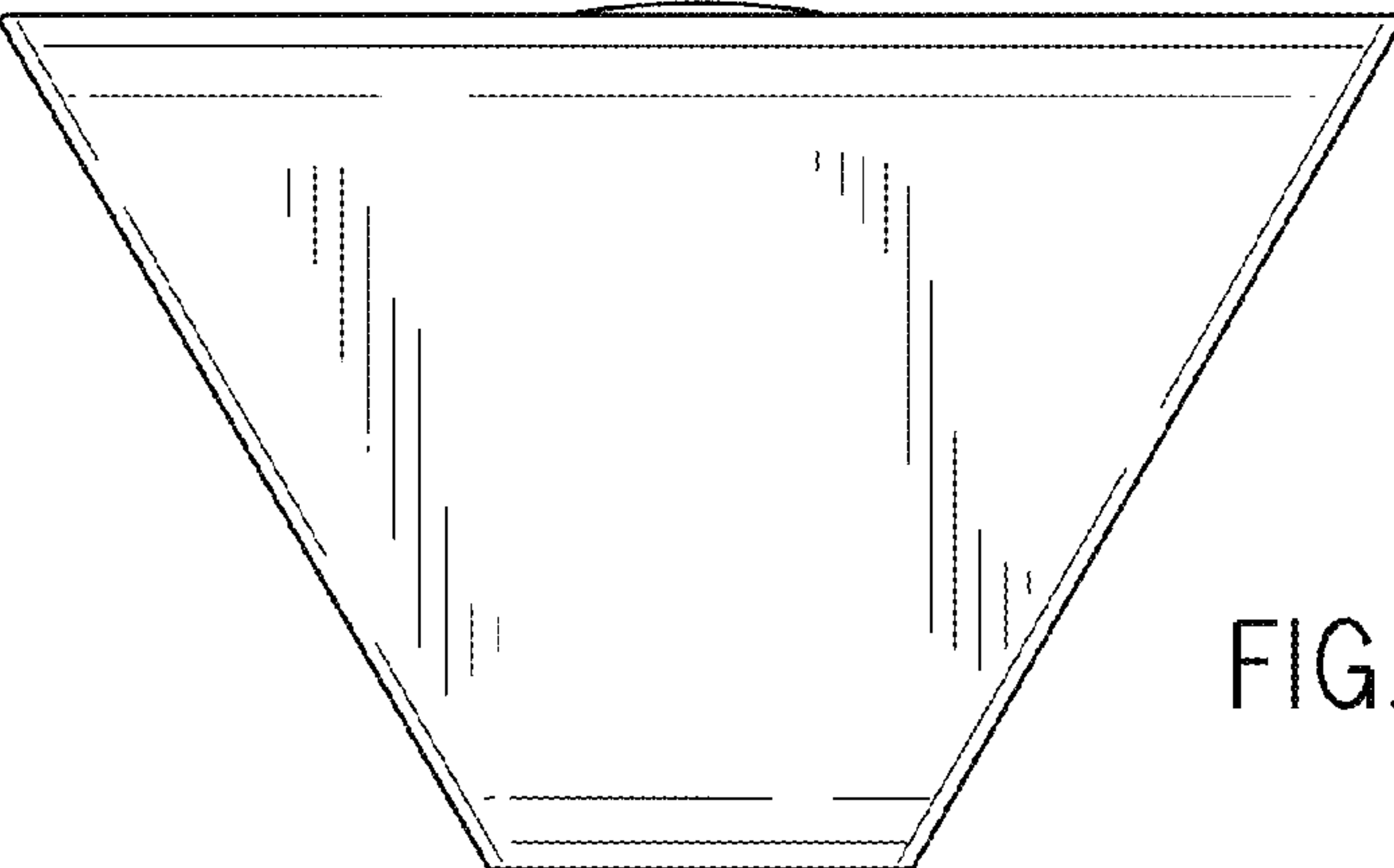


FIG. 2

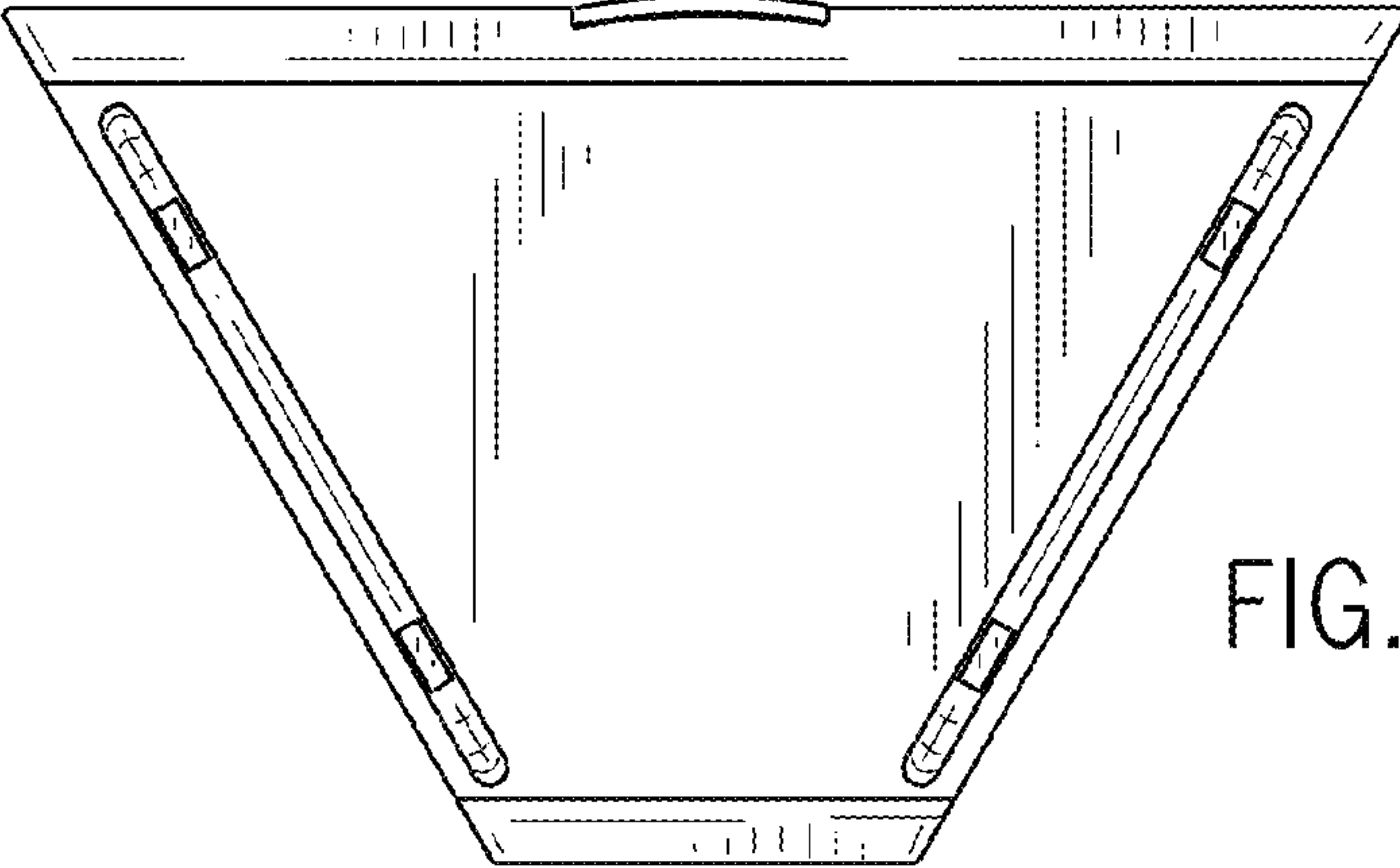


FIG. 3

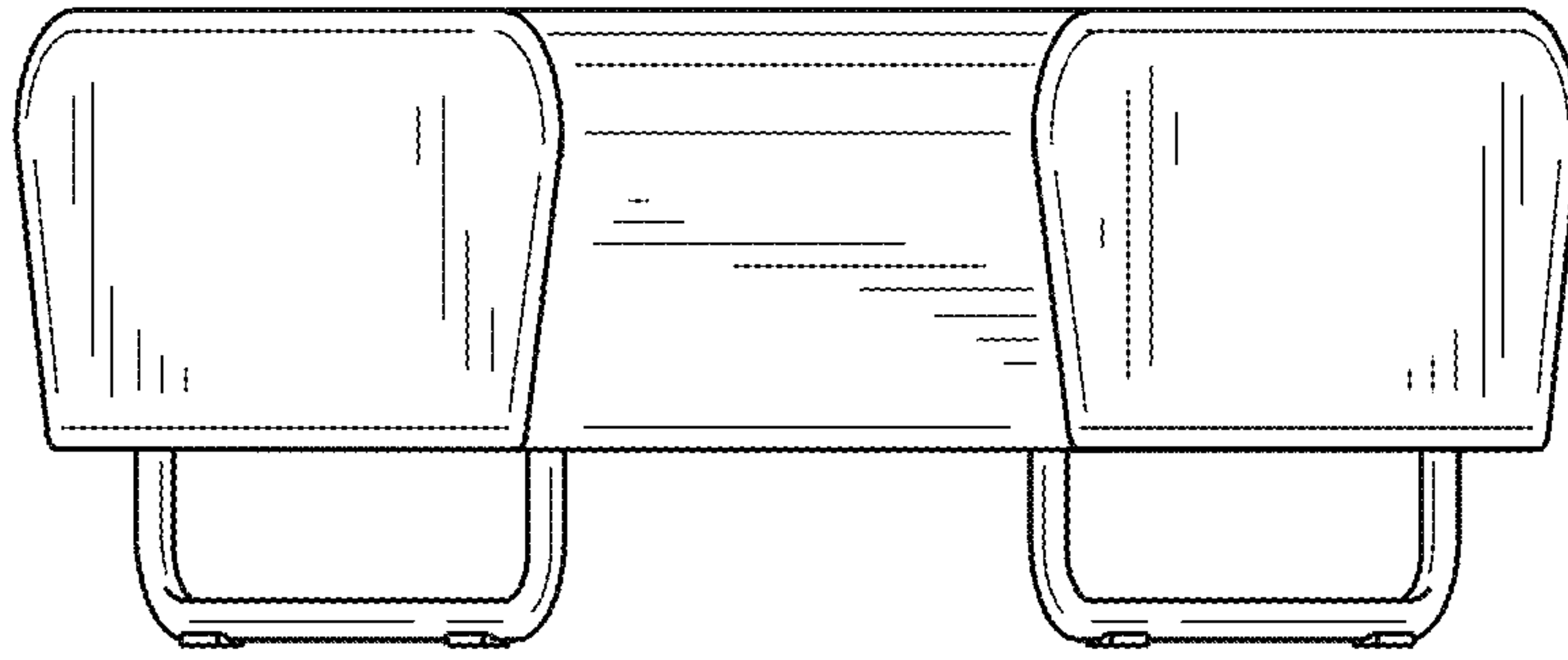


FIG. 4

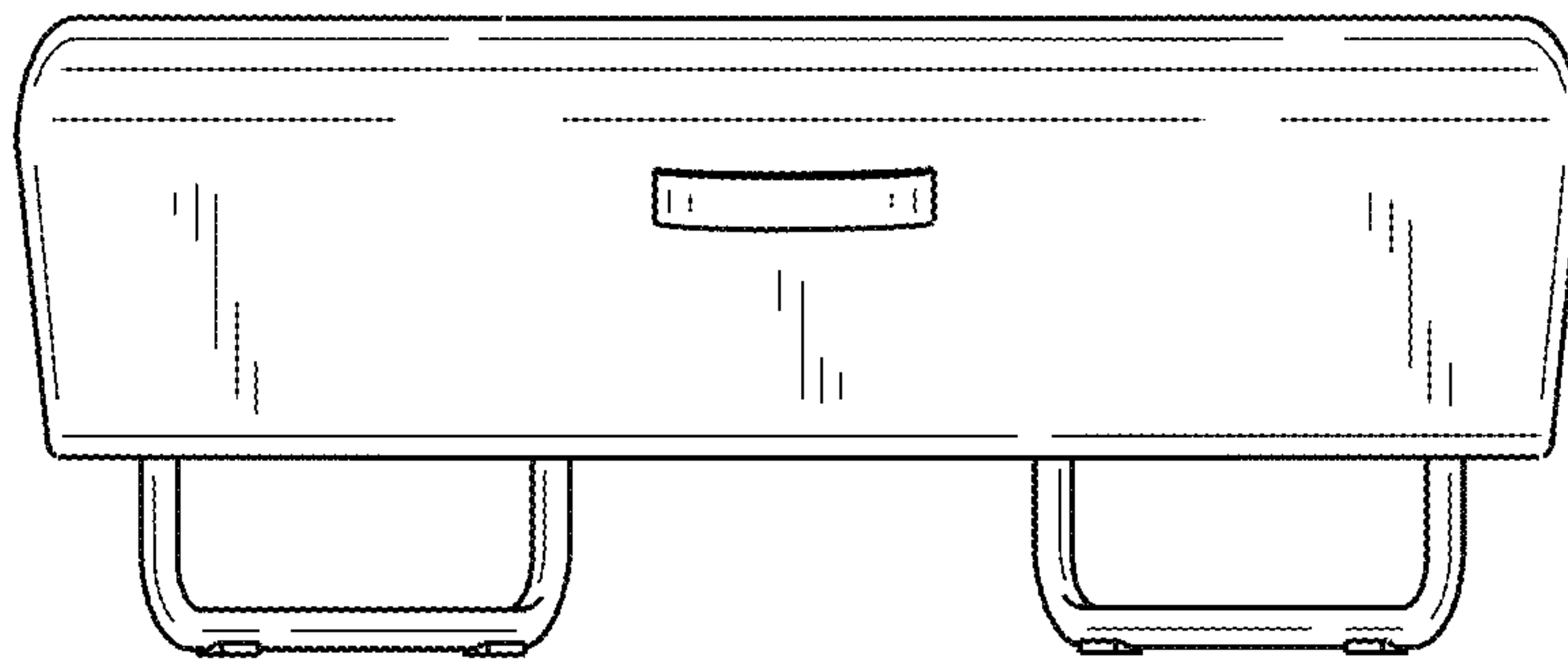


FIG. 5

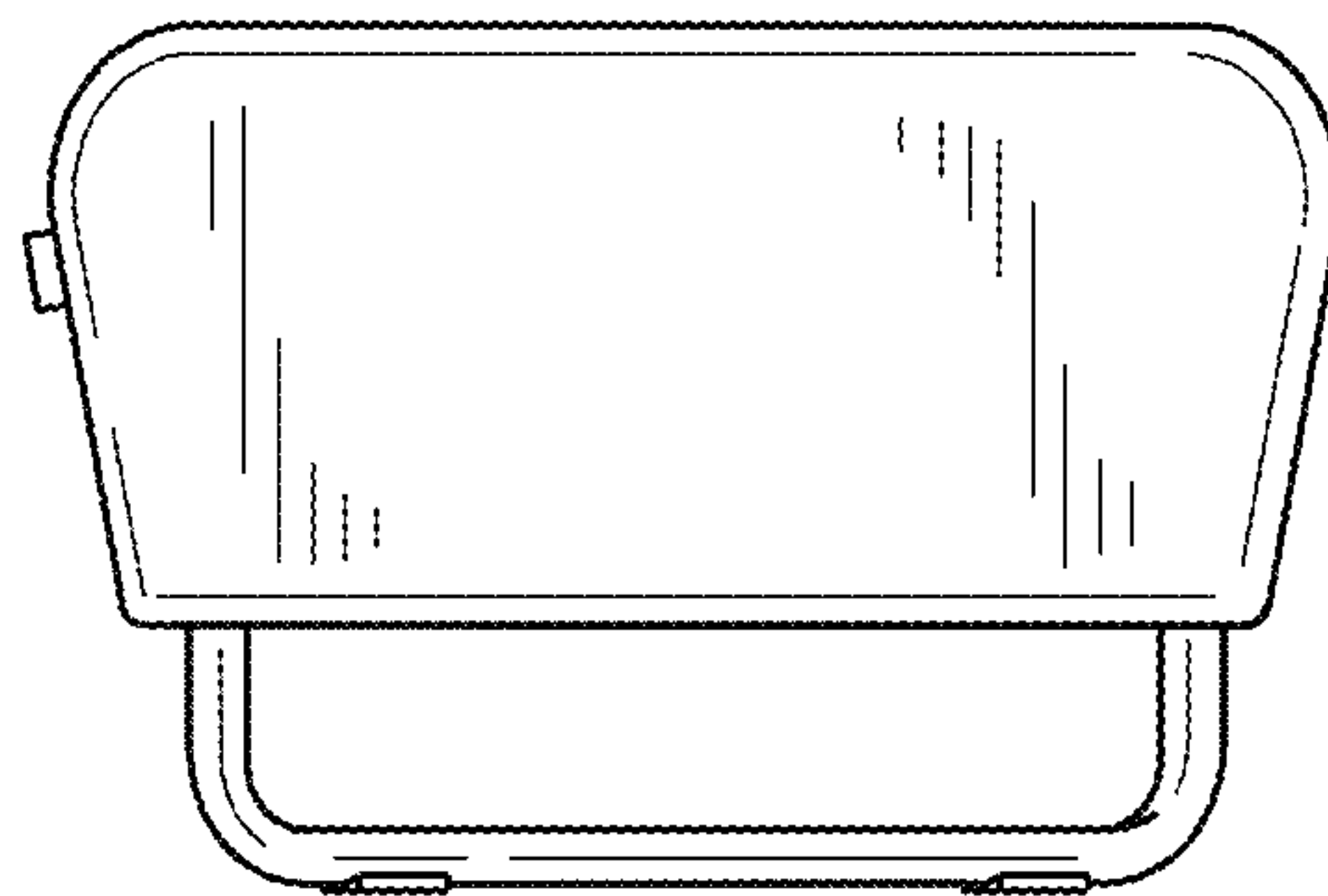


FIG. 6