



US00D699455S

(12) **United States Design Patent**  
**Bosman**

(10) **Patent No.:** **US D699,455 S**  
(45) **Date of Patent:** **\*\* Feb. 18, 2014**

(54) **LOUNGE FURNITURE OTTOMAN**

(71) Applicant: **Krueger International, Inc.**, Green Bay, WI (US)

(72) Inventor: **Scott A. Bosman**, Green Bay, WI (US)

(73) Assignee: **Krueger International, Inc.**, Green Bay, WI (US)

(\*\*) Term: **14 Years**

(21) Appl. No.: **29/465,567**

(22) Filed: **Aug. 29, 2013**

**Related U.S. Application Data**

(62) Division of application No. 29/411,838, filed on Jan. 26, 2012, now Pat. No. Des. 691,386.

(51) **LOC (10) Cl.** ..... **06-01**

(52) **U.S. Cl.**  
USPC ..... **D6/349**

(58) **Field of Classification Search**  
USPC ..... D6/334-338, 344-355, 358-381, 388, D6/403, 491-502, 657, 670, 691, 691.8, D6/692, 708, 716, 716.2-716.4, 717; 297/16.1, 22, 31, 35, 184.11, 217.1, 297/228.12, 239, 256.16, 271.6, 297/284.4-284.5, 291, 297, 302.4, 411.2, 297/411.27-411.29, 411.43, 423.1, 423.12, 297/440.1, 440.11, 440.15, 440.24, 448.1, 297/451.4, 452.13, 452.19, 452.21, 452.27, 297/452.29, 452.3, 452.41, 452.56, 452.64  
See application file for complete search history.

(56) **References Cited**

**U.S. PATENT DOCUMENTS**

3,940,181 A 2/1976 Cheek, Jr.  
D249,857 S 10/1978 Adkinson

D251,639 S 4/1979 Colby  
D252,057 S \* 6/1979 Spound et al. .... D6/349  
D253,377 S 11/1979 Spound et al.  
D253,378 S 11/1979 Spound et al.  
D261,955 S 11/1981 Aronowitz et al.  
D264,162 S 5/1982 Azzalin  
D264,909 S 6/1982 Caldwell  
D273,351 S 4/1984 Crockett  
D281,208 S \* 11/1985 Raftery ..... D6/449  
D290,788 S \* 7/1987 Raftery ..... D6/355  
D290,913 S 7/1987 Righter  
D297,080 S 8/1988 Hemberg  
D301,814 S 6/1989 Bush et al.  
D325,834 S 5/1992 Fredrick  
D388,634 S 1/1998 Mulligan et al.  
D444,313 S 7/2001 Hutton  
D486,015 S 2/2004 de Blois  
D493,966 S 8/2004 Rach  
D495,902 S 9/2004 Haberman et al.  
D497,727 S \* 11/2004 Monsalve et al. .... D6/355  
D498,064 S 11/2004 Gomez  
D498,598 S 11/2004 Schweikarth et al.  
D522,770 S \* 6/2006 Easton ..... D6/436

(Continued)

*Primary Examiner* — Ricky Pham

(74) *Attorney, Agent, or Firm* — Andrus Intellectual Property Law, LLP

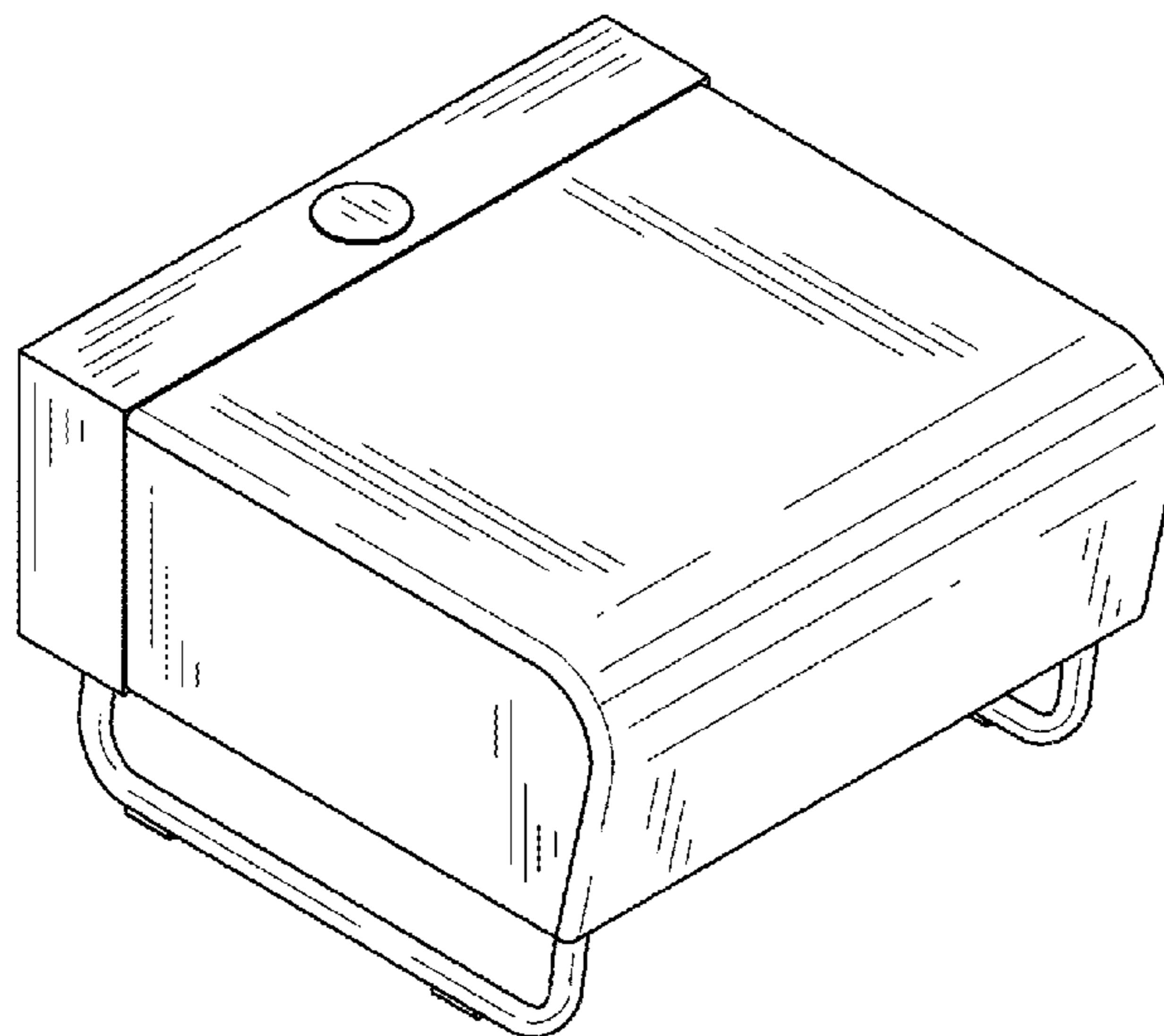
(57) **CLAIM**

The ornamental design for a lounge furniture ottoman, as shown and described.

**DESCRIPTION**

FIG. 1 is an isometric view of a piece of lounge furniture ottoman showing my new design;  
FIG. 2 is a front view thereof;  
FIG. 3 is a left side view thereof, wherein the right side view is a mirror image;  
FIG. 4 is a back view thereof;  
FIG. 5 is a top view thereof; and,  
FIG. 6 is a bottom view thereof.

**1 Claim, 3 Drawing Sheets**



(56)

**References Cited**

U.S. PATENT DOCUMENTS

D535,483 S 1/2007 Hutton  
D554,874 S 11/2007 Jourdan  
D566,429 S 4/2008 Roberts  
D569,111 S 5/2008 Swanson  
D571,564 S 6/2008 Schmidt  
D572,946 S 7/2008 Bollen  
D576,805 S 9/2008 Natuzzi  
D578,782 S 10/2008 Cramer et al.  
D580,664 S 11/2008 Cramer et al.

D580,670 S \* 11/2008 Weiss ..... D6/361  
D582,688 S 12/2008 Spear  
D586,131 S 2/2009 Cramer et al.  
D605,430 S 12/2009 Gharabegian  
D612,162 S \* 3/2010 Kapasi ..... D6/349  
D618,923 S \* 7/2010 Vu ..... D6/338  
D618,935 S \* 7/2010 Metcalf et al. .... D6/484  
D624,328 S \* 9/2010 Grandin et al. .... D6/381  
D657,155 S \* 4/2012 Grandin et al. .... D6/381  
D685,198 S \* 7/2013 Arko et al. .... D6/349  
D691,386 S \* 10/2013 Bosman ..... D6/371

\* cited by examiner

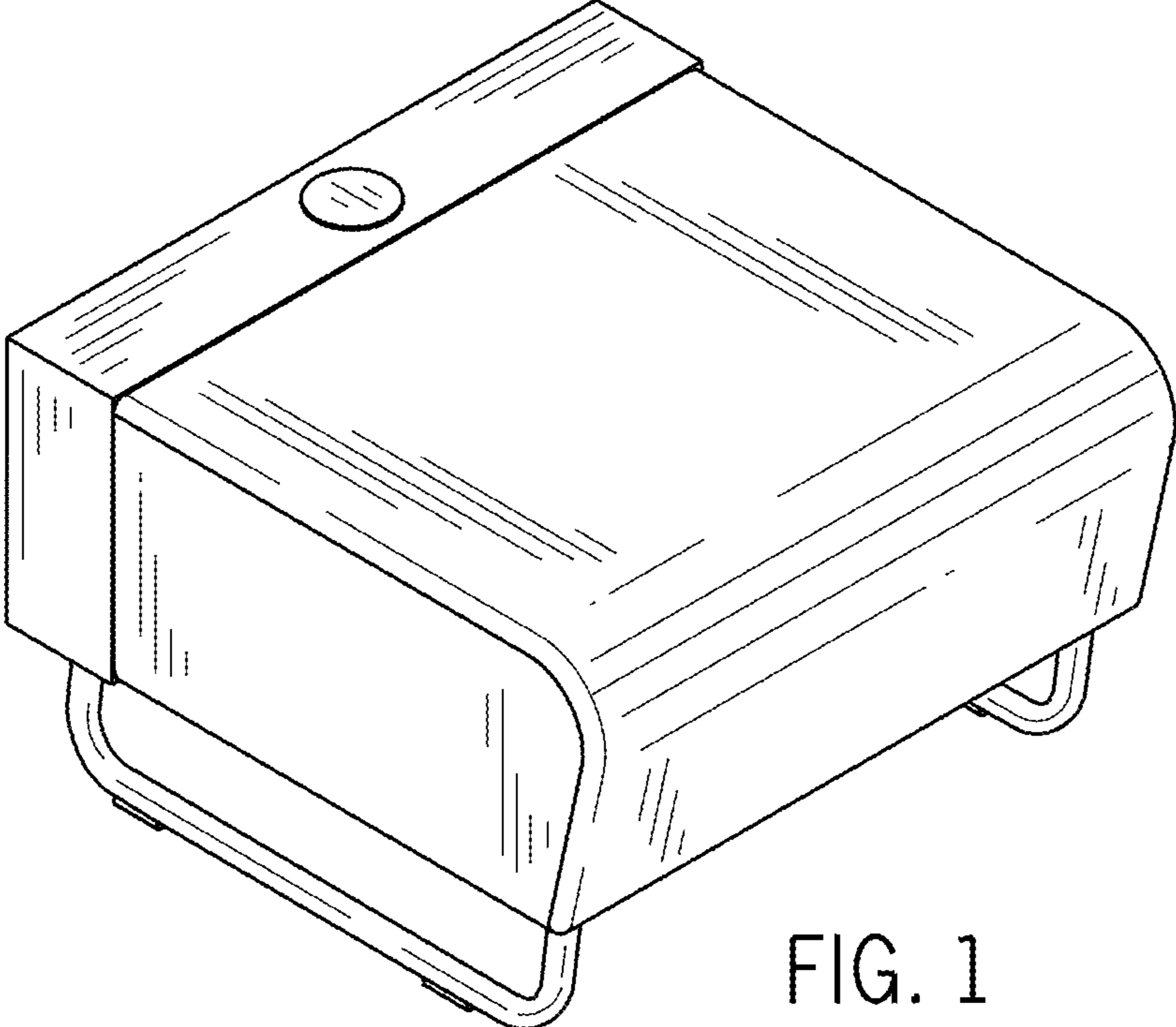


FIG. 1

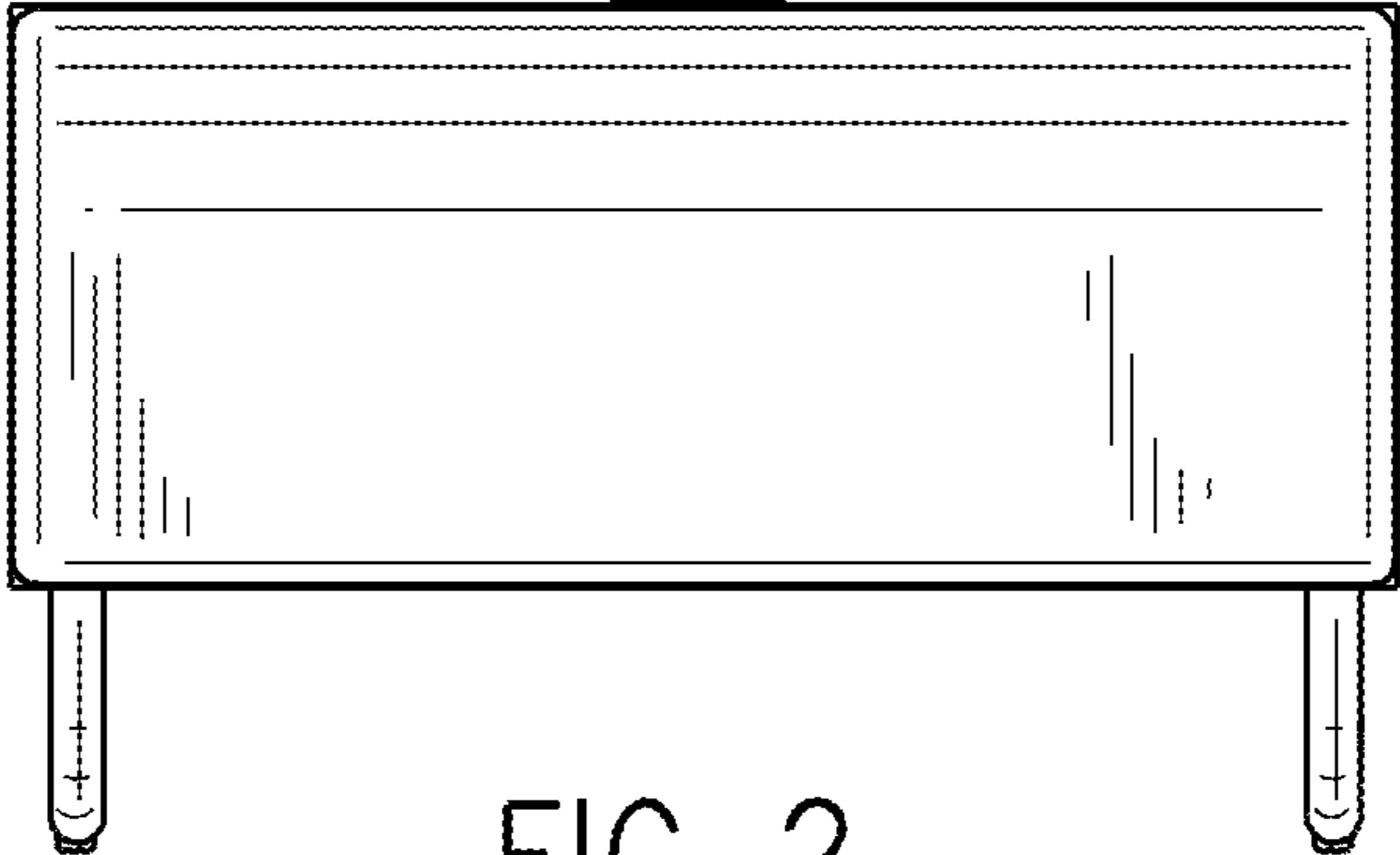


FIG. 2

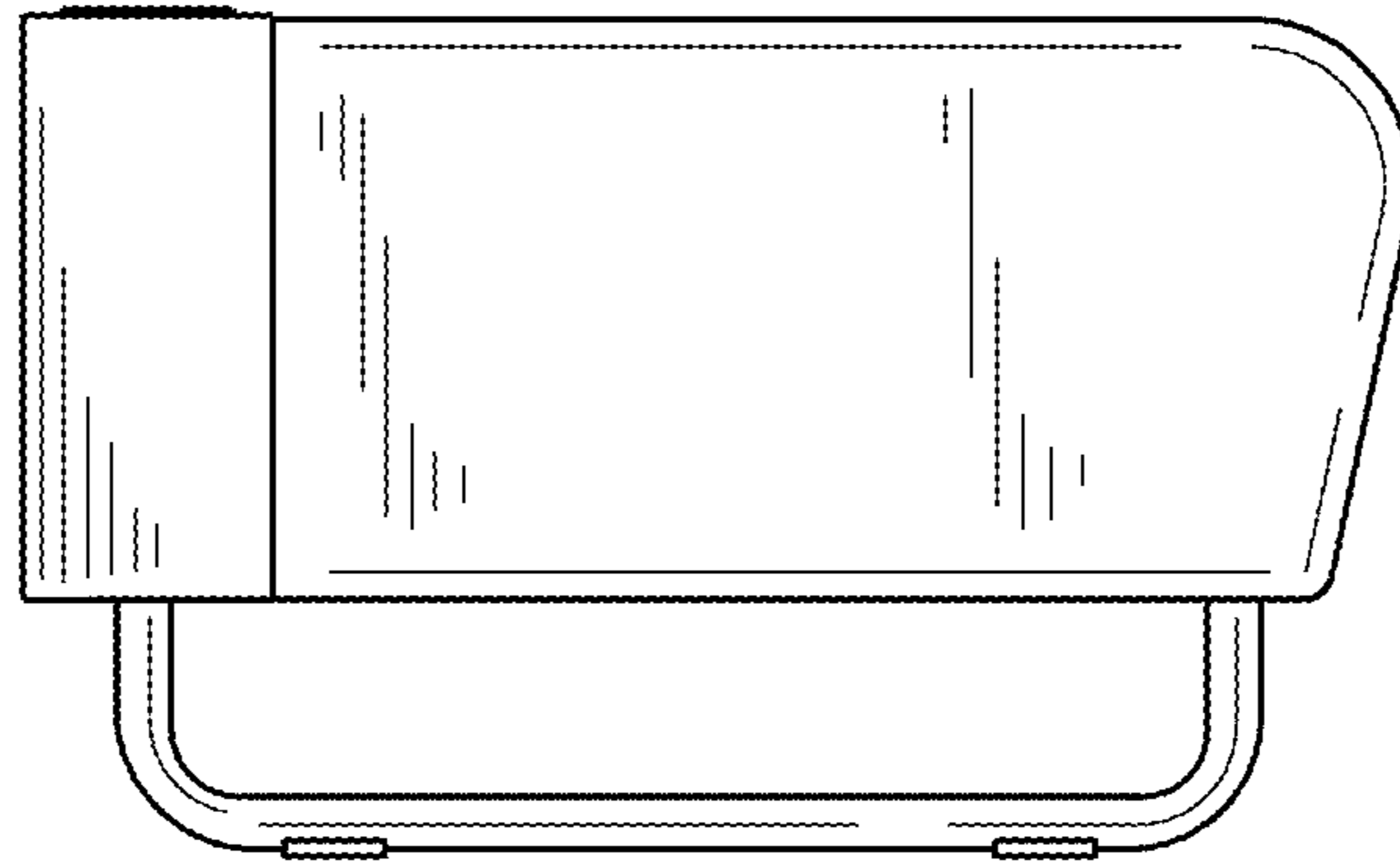


FIG. 3

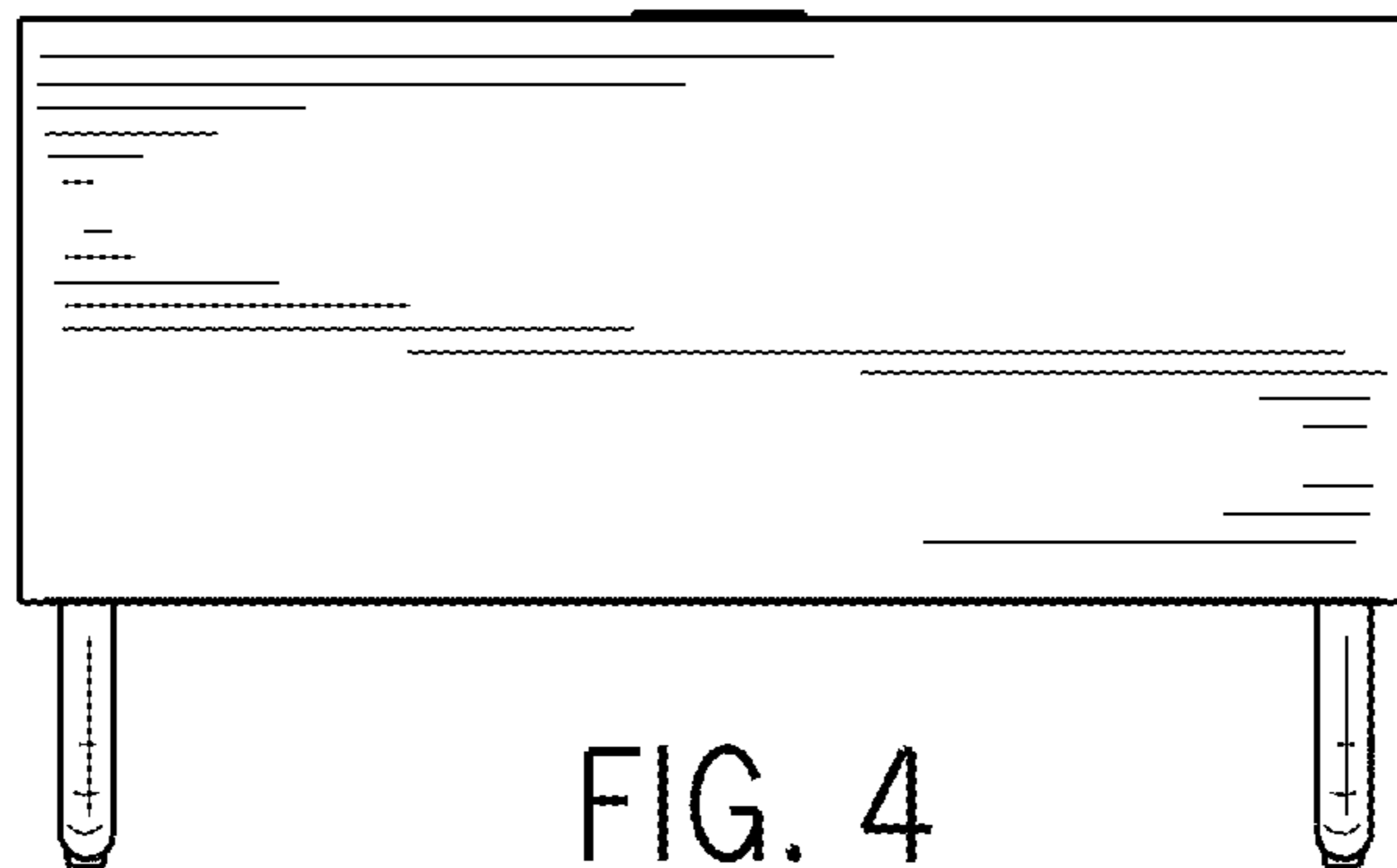


FIG. 4

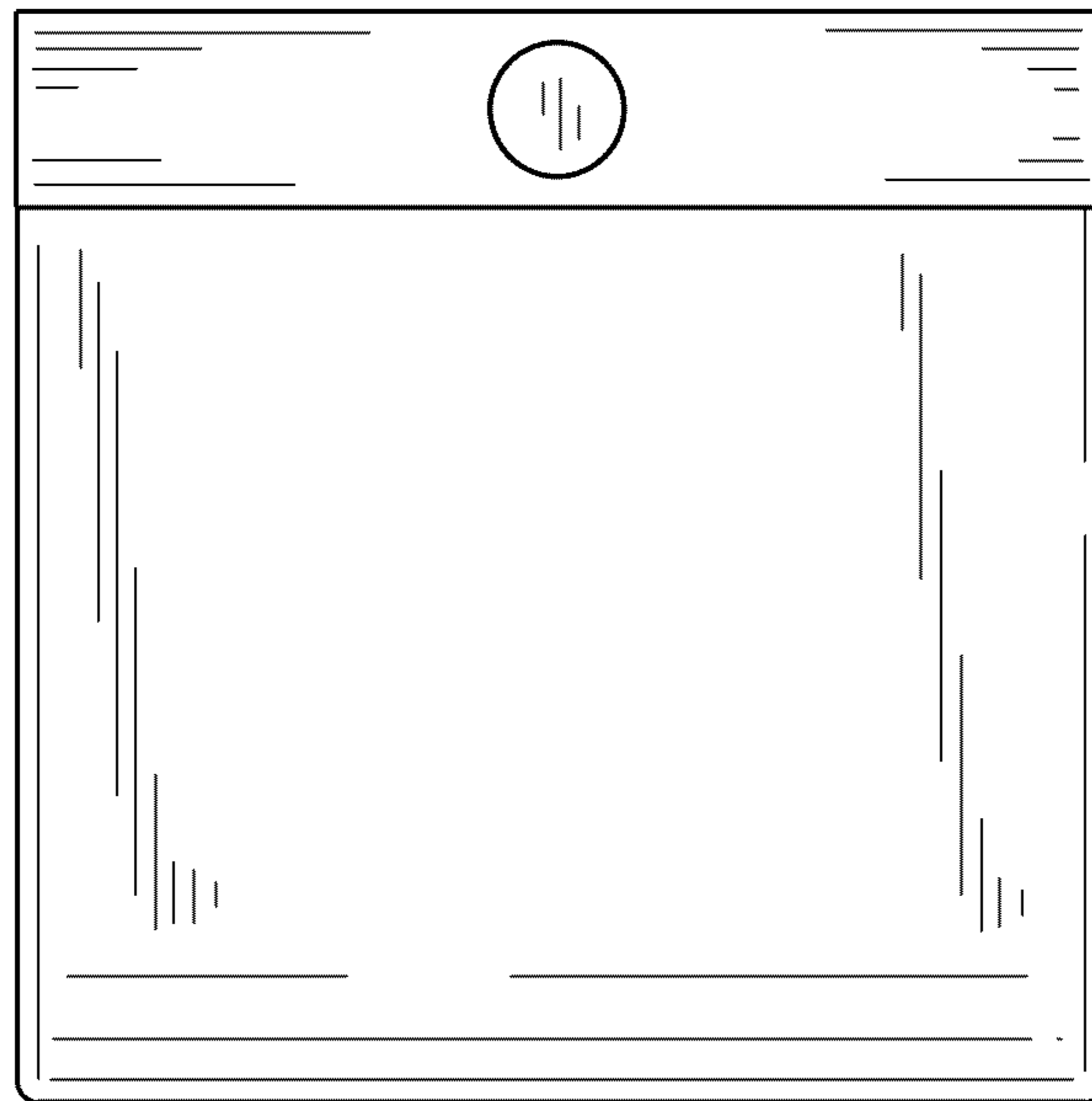


FIG. 5

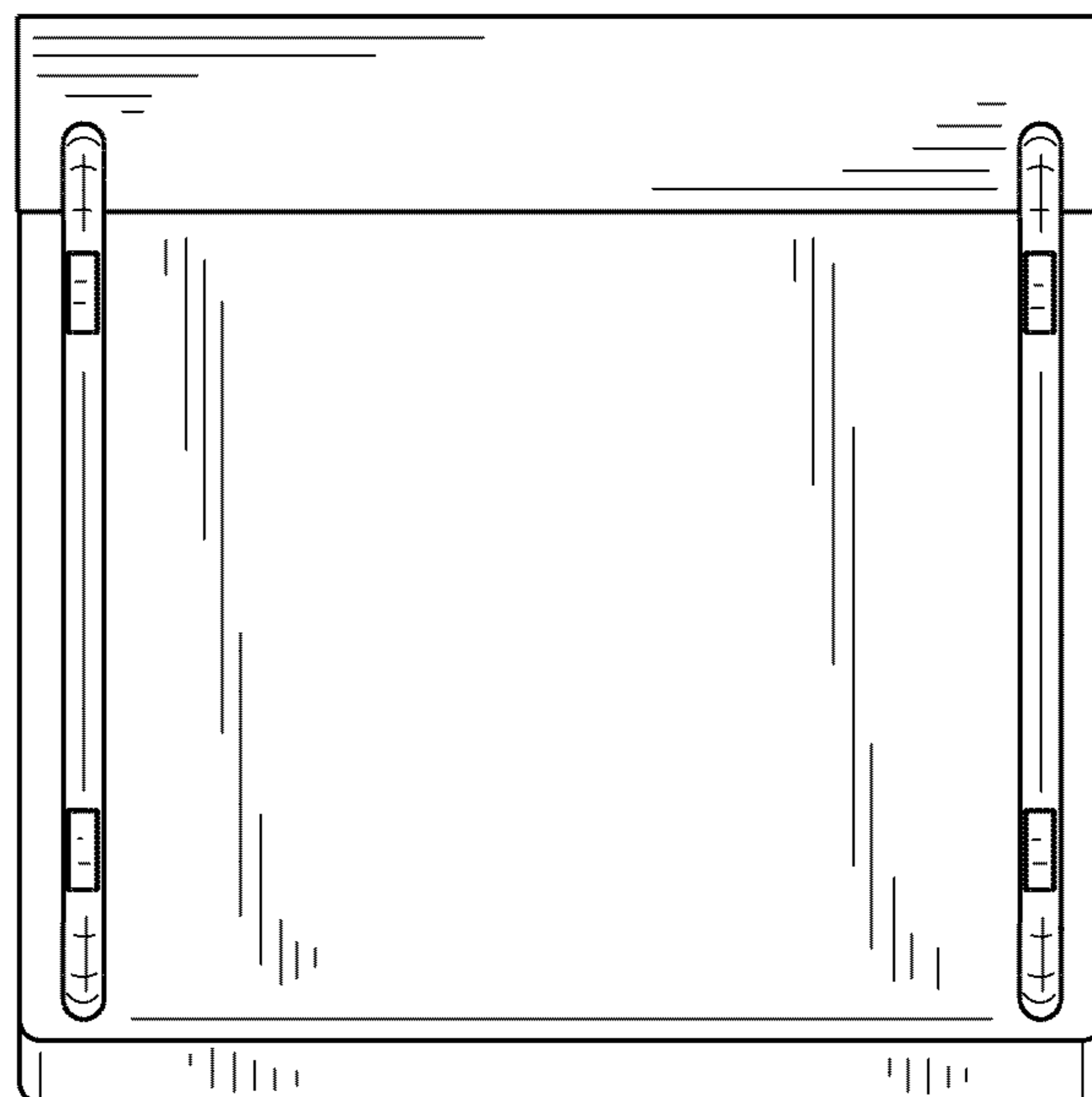


FIG. 6