



US00D699454S

(12) **United States Design Patent**
Starck

(10) **Patent No.:** **US D699,454 S**

(45) **Date of Patent:** **** Feb. 18, 2014**

(54) **STOOL**

(71) Applicant: **Philippe Starck**, Paris (FR)

(72) Inventor: **Philippe Starck**, Paris (FR)

(**) Term: **14 Years**

(21) Appl. No.: **29/441,929**

(22) Filed: **Jan. 10, 2013**

(51) **LOC (10) Cl.** **06-01**

(52) **U.S. Cl.**
USPC **D6/349**

(58) **Field of Classification Search**
USPC D6/330, 337, 341, 346, 349–355, 357,
D6/362, 364–373, 376, 377, 381, 645, 656,
D6/658, 665, 674, 675.5, 676, 690, 691,
D6/694, 704, 705, 707, 707.19,
D6/716.1–716.6, 717, 717.2; 297/423.12,
297/423.13, 423.37, 461, 462, 115, 116,
297/135, 160–162

See application file for complete search history.

(56) **References Cited**

U.S. PATENT DOCUMENTS

D19,325 S *	10/1889	Dungan et al.	D6/351
D47,966 S *	10/1915	Reischmann	D6/349
D83,160 S *	1/1931	Hofmann	D6/351
D159,999 S *	9/1950	Mitchell	D6/350
3,083,052 A *	3/1963	Thorson	297/140
3,230,909 A *	1/1966	Watson	108/150

D218,422 S *	8/1970	Crandall	D6/495
D266,037 S *	9/1982	Heighberger	D6/349
D283,856 S *	5/1986	Elmaleh	D6/349
D367,184 S *	2/1996	Tolefson	D6/337
D417,085 S *	11/1999	Kanwetz, II	D6/330
D436,270 S *	1/2001	Kane	D6/486
D523,251 S *	6/2006	Parpala	D6/352
D581,705 S *	12/2008	Li	D6/486
D650,613 S *	12/2011	Starck	D6/486
D657,149 S *	4/2012	Lievore et al.	D6/360
D683,975 S *	6/2013	Starck	D6/349

* cited by examiner

Primary Examiner — Susan Bennett Hattan

Assistant Examiner — Vy Koenig

(74) *Attorney, Agent, or Firm* — Blue Filament Law PLLC;
Avery N. Goldstein

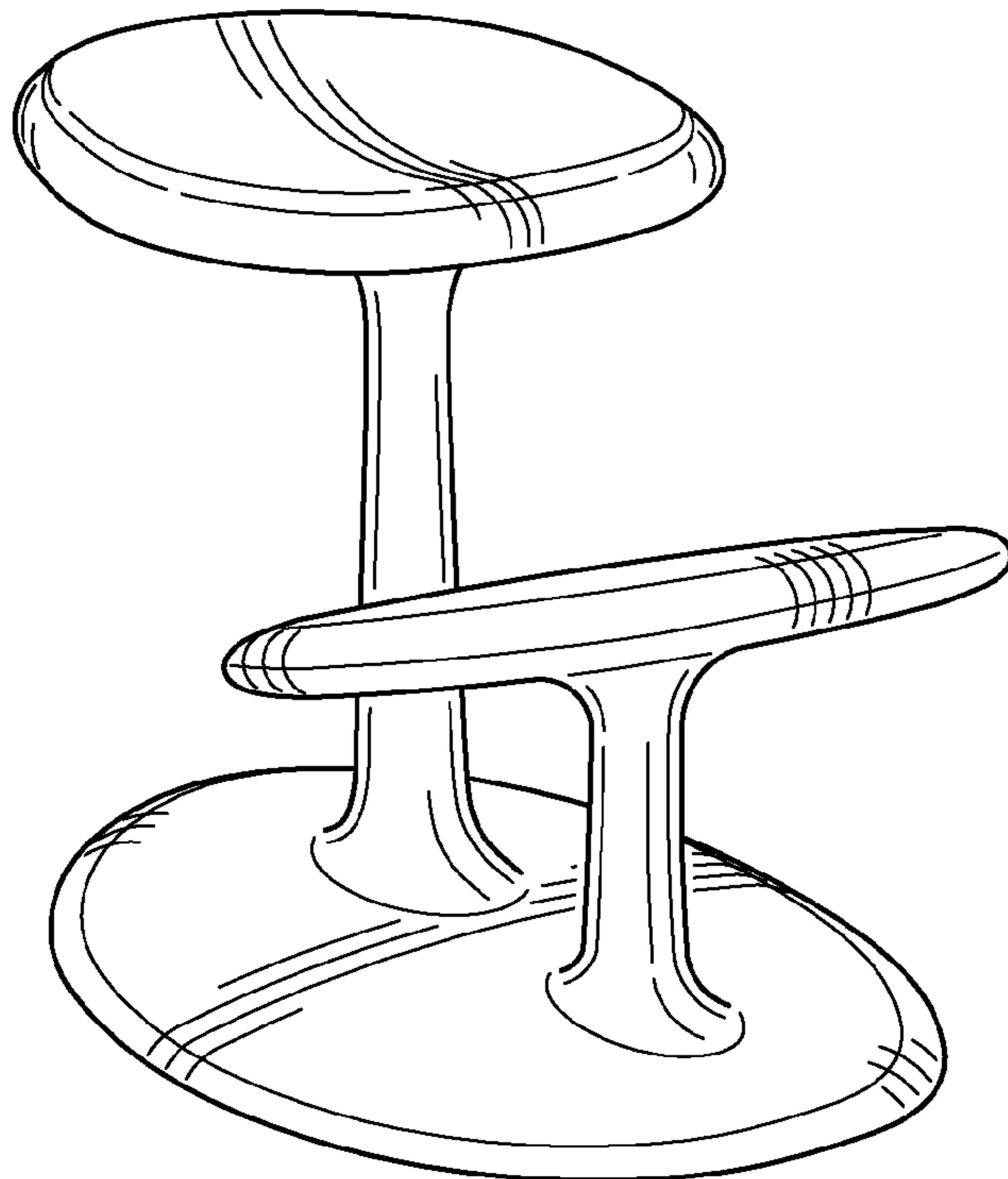
(57) **CLAIM**

The ornamental design for a stool, as shown and described.

DESCRIPTION

FIG. 1 is an elevated front perspective view of a stool;
FIG. 2 is front view of the stool depicted in FIG. 1;
FIG. 3 is a side view of the stool depicted in FIG. 1, where an
opposing side view is a mirror image of that depicted in FIG.
3;
FIG. 4 is a back view of the stool depicted in FIG. 1;
FIG. 5 is a top view of the stool depicted in FIG. 1; and,
FIG. 6 is a bottom view of the stool depicted in FIG. 1.

1 Claim, 3 Drawing Sheets



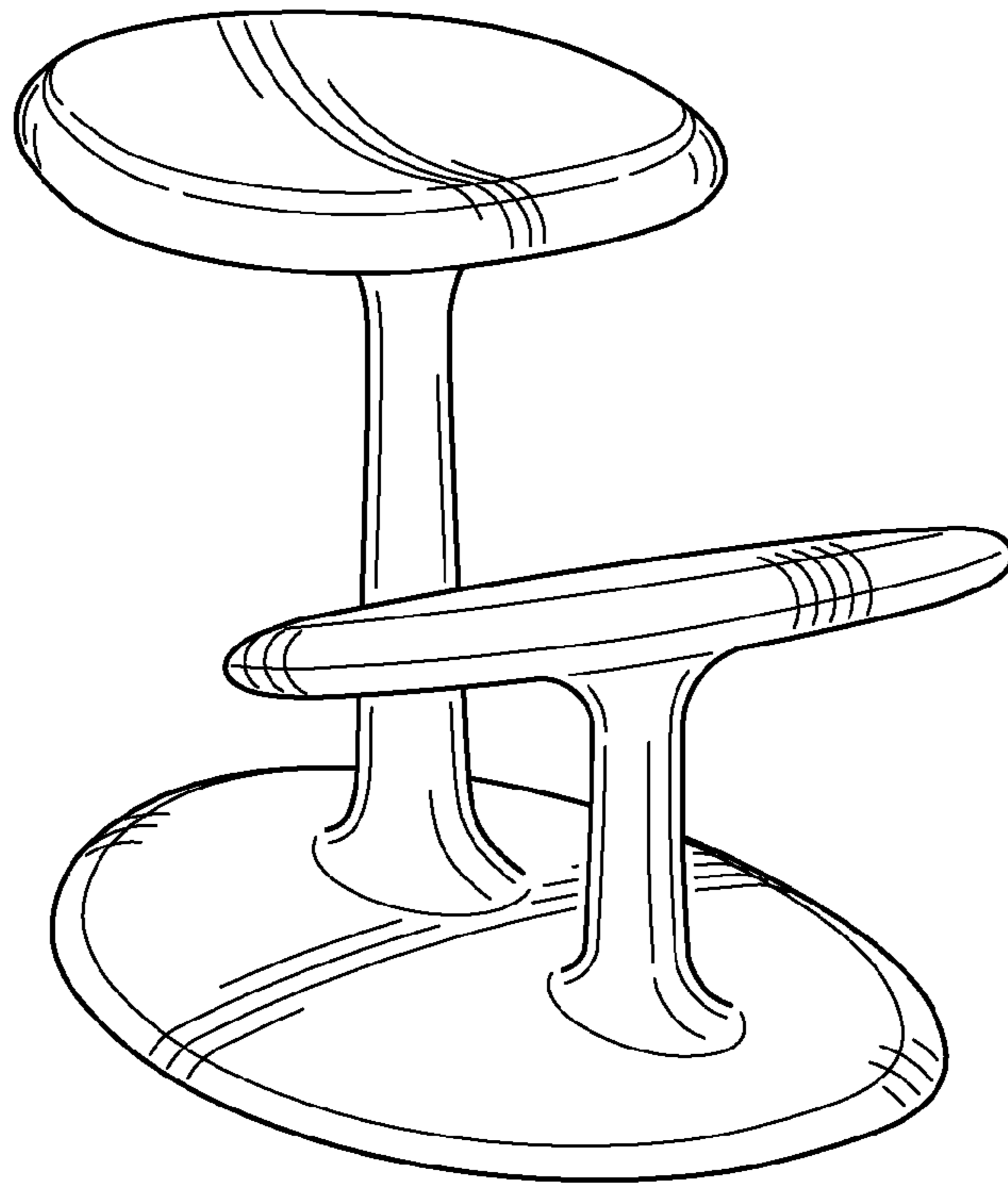


FIG. 1

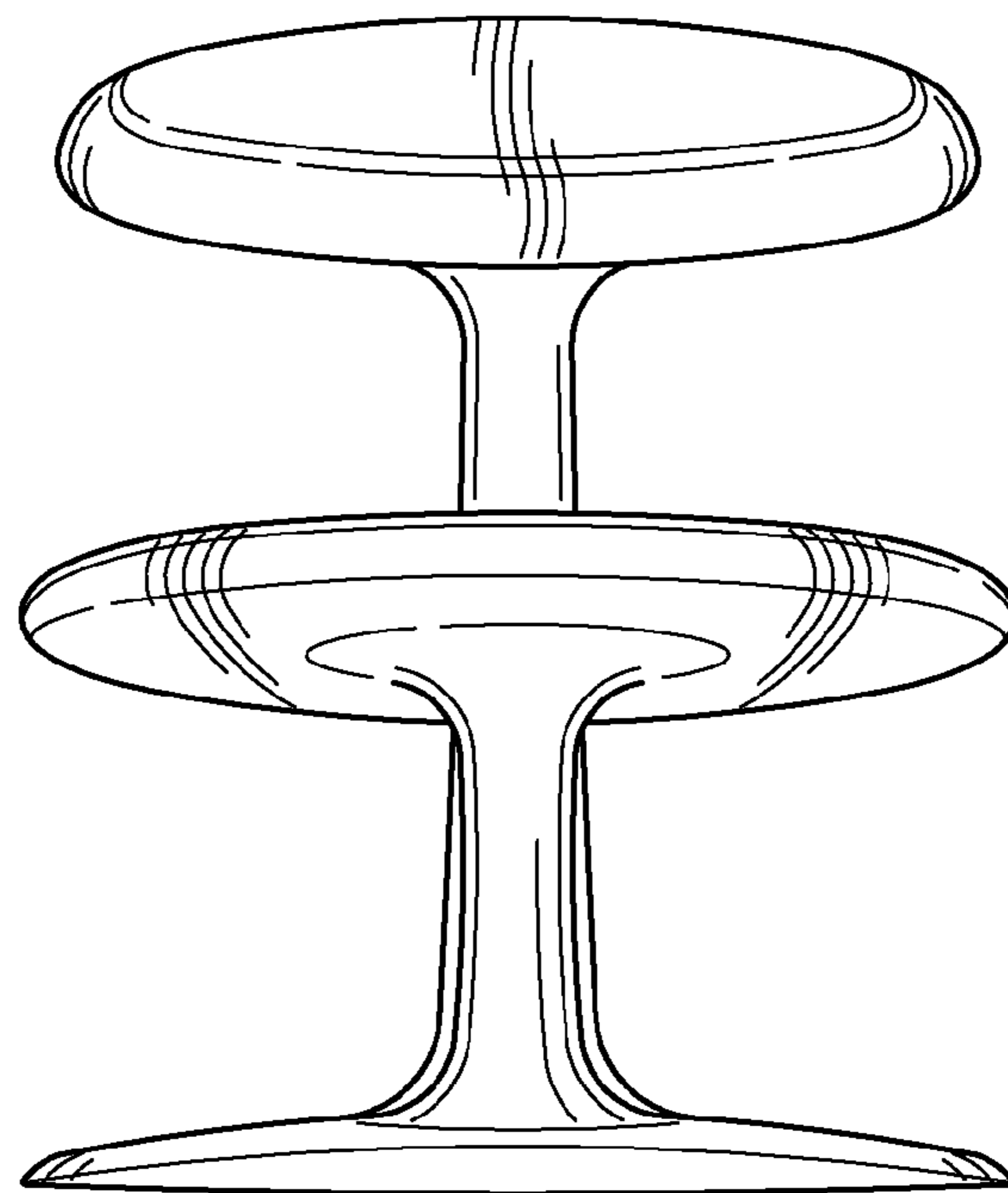


FIG. 2

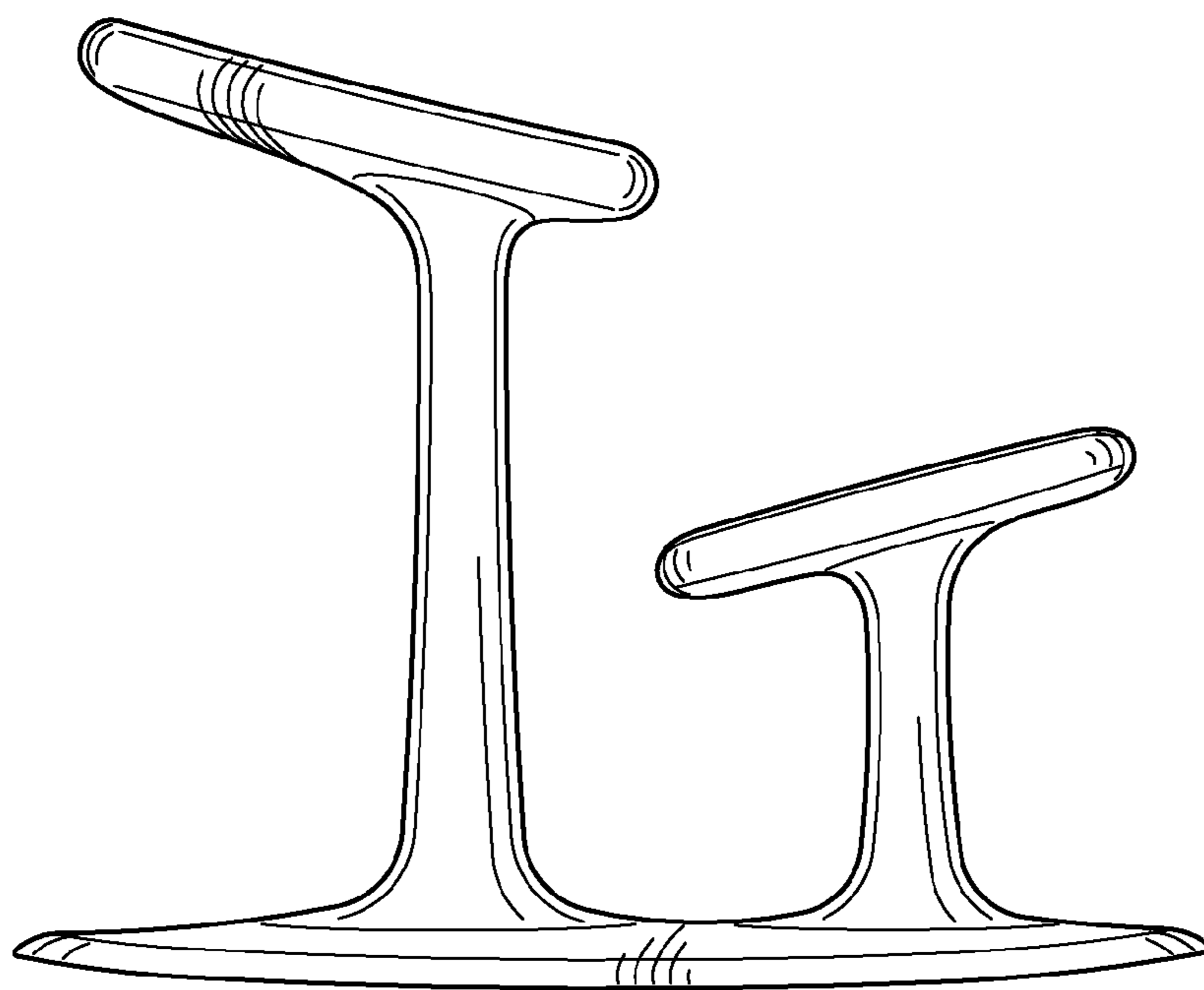


FIG. 3

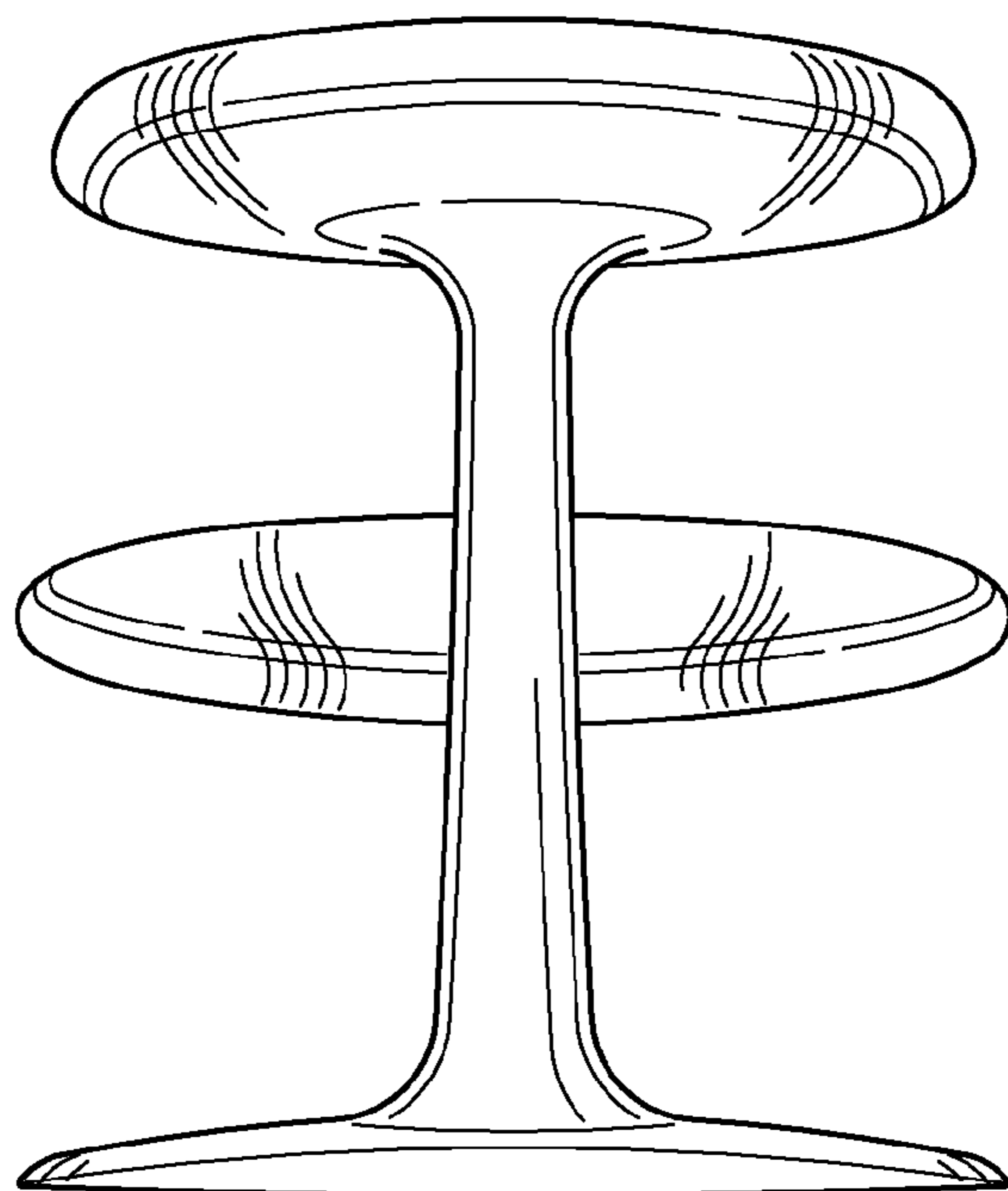


FIG. 4

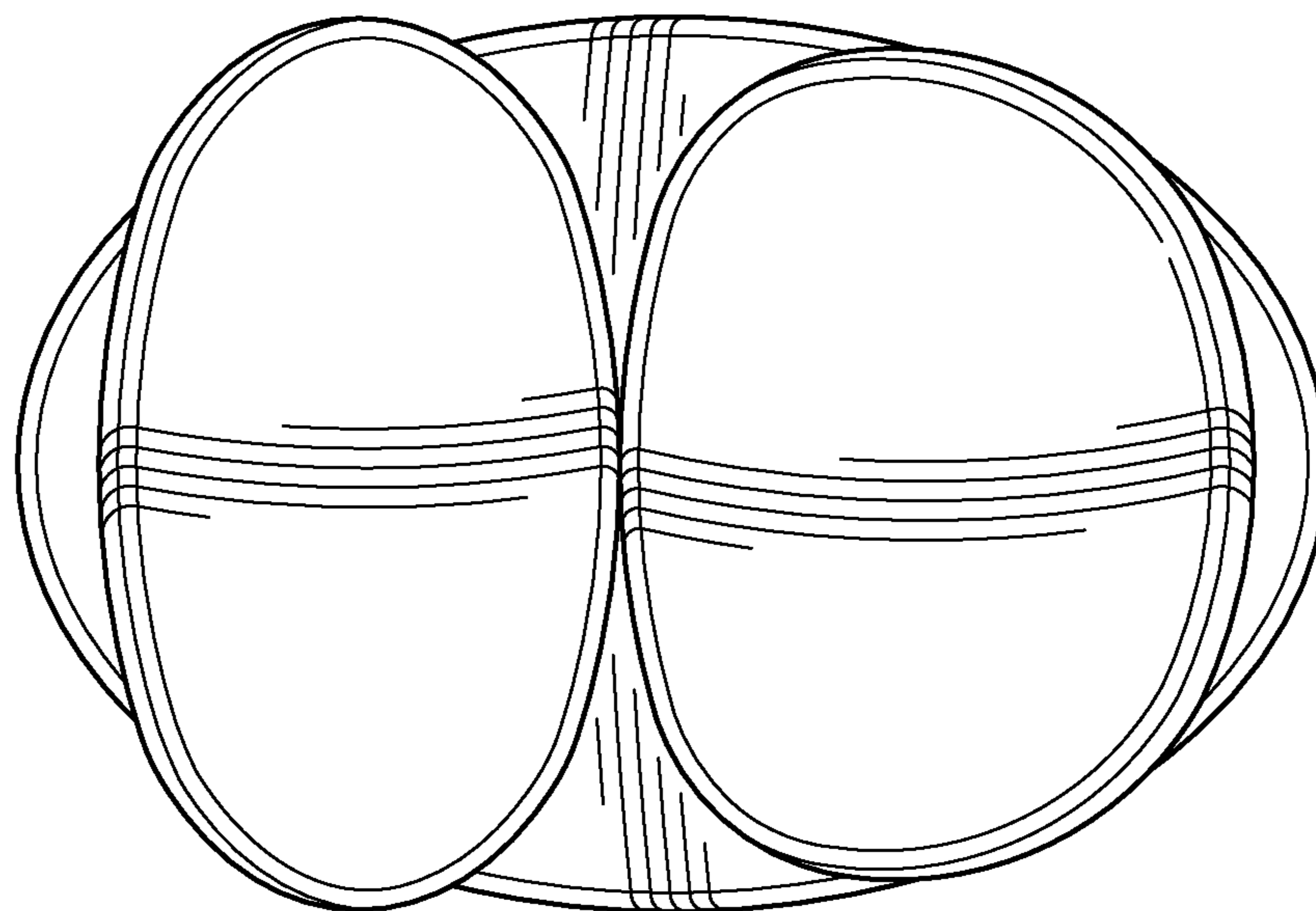


FIG. 5

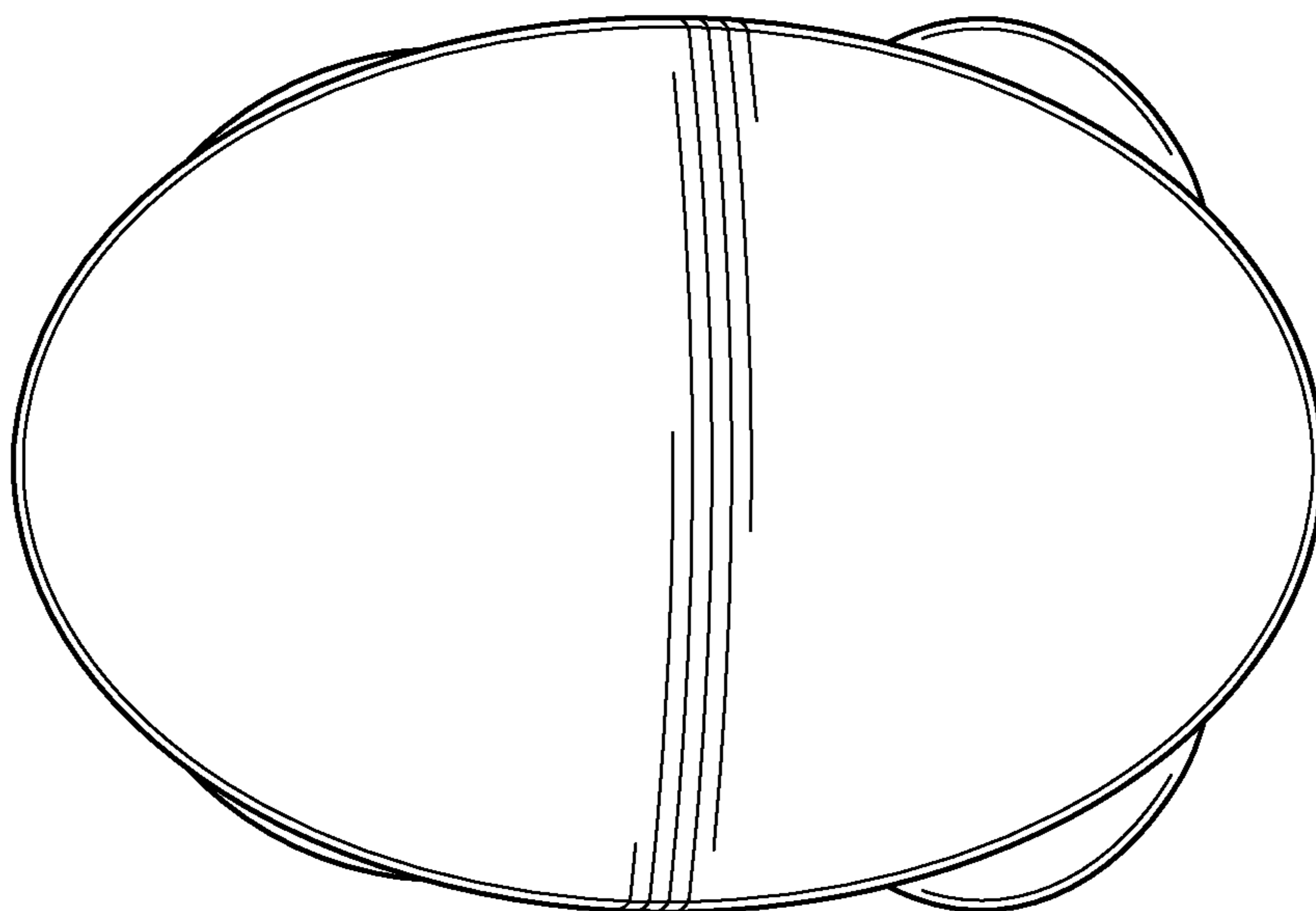


FIG. 6