



US00D699453S

(12) **United States Design Patent**  
**Weng**

(10) **Patent No.:** **US D699,453 S**

(45) **Date of Patent:** **\*\* Feb. 18, 2014**

(54) **LEISURE SWING BED**

(71) Applicant: **MTM International, Ltd.**, Ningbo (CN)

(72) Inventor: **Johnson Weng**, Ningbo (CN)

(73) Assignee: **MTM International, Ltd.**, Ningbo (CN)

(\*\*) Term: **14 Years**

(21) Appl. No.: **29/433,458**

(22) Filed: **Sep. 29, 2012**

(30) **Foreign Application Priority Data**

May 22, 2012 (CA) ..... 145691

(51) **LOC (10) Cl.** ..... **06-01**

(52) **U.S. Cl.**  
USPC ..... **D6/347**

(58) **Field of Classification Search**  
USPC ..... D6/334-33, 344, 347, 369, 370, 374,  
D6/375, 381, 716, 716.1, 716.2, 716.3,  
D6/716.4; D21/823; 297/273, 277, 452.13;  
472/118, 125; D7/601; D30/133

See application file for complete search history.

(56) **References Cited**

U.S. PATENT DOCUMENTS

3,528,657	A *	9/1970	Krupsky	472/118
D230,921	S *	3/1974	Bonnell	D6/347
3,834,757	A *	9/1974	Krupsky	297/277
D258,252	S *	2/1981	Gass	D6/347
5,588,702	A *	12/1996	Litwin	297/277
D522,259	S *	6/2006	Wu	D6/347
D531,826	S *	11/2006	Nutsos	D6/347
D548,472	S *	8/2007	Habing et al.	D6/347
D660,608	S *	5/2012	Hasman	D6/347
D677,914	S *	3/2013	Cardenas	D6/347

\* cited by examiner

*Primary Examiner* — Mimoso De

(74) *Attorney, Agent, or Firm* — Matthias Scholl P.C.;  
Matthias Scholl

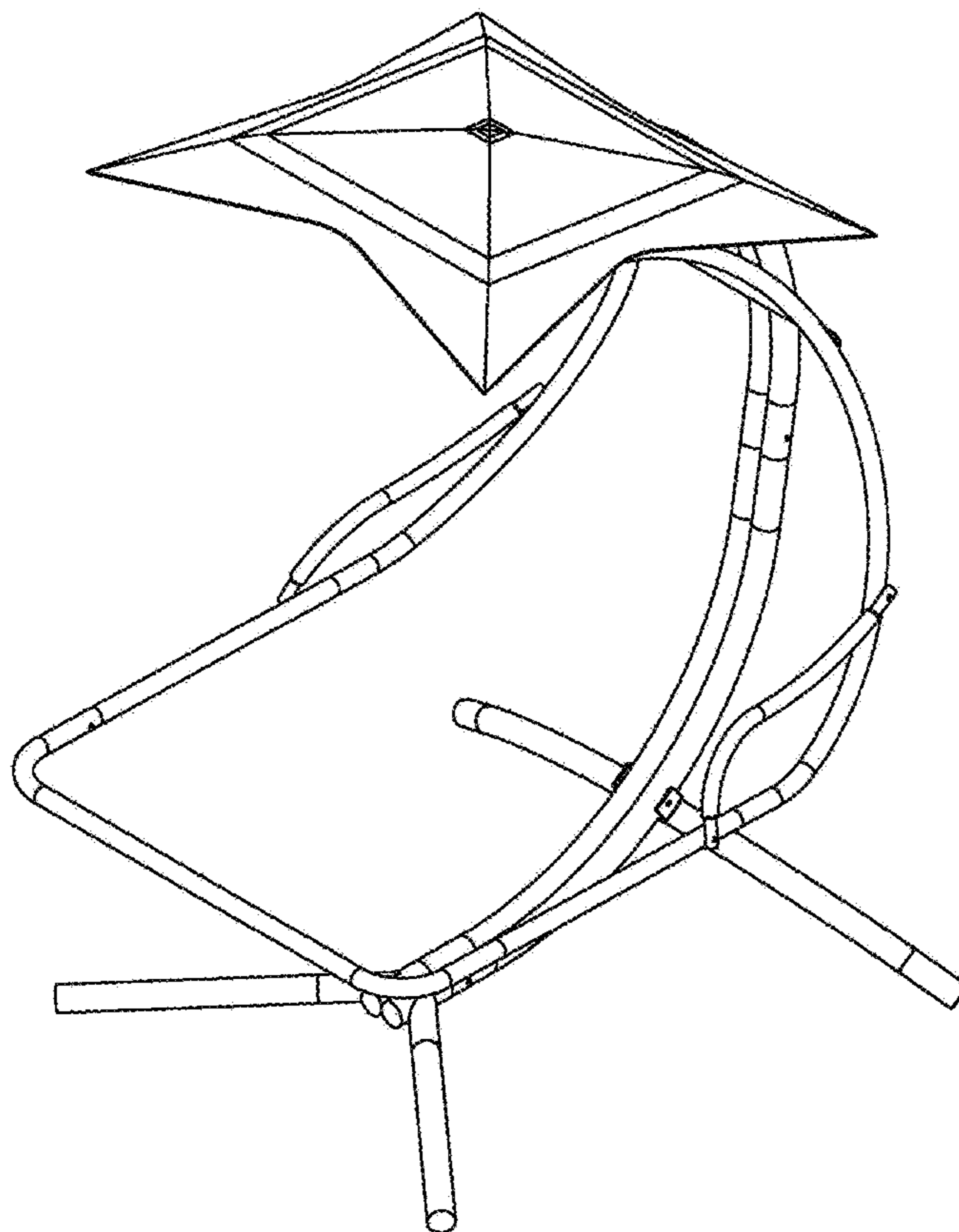
(57) **CLAIM**

The ornamental design for a leisure swing bed, as shown and described.

**DESCRIPTION**

FIG. 1 is a front elevational view of a leisure swing bed;  
FIG. 2 is a left side elevational view thereof;  
FIG. 3 is a right side elevational view thereof;  
FIG. 4 is a top plan view thereof;  
FIG. 5 is a bottom plan view thereof; and,  
FIG. 6 is a perspective view thereof.

**1 Claim, 6 Drawing Sheets**



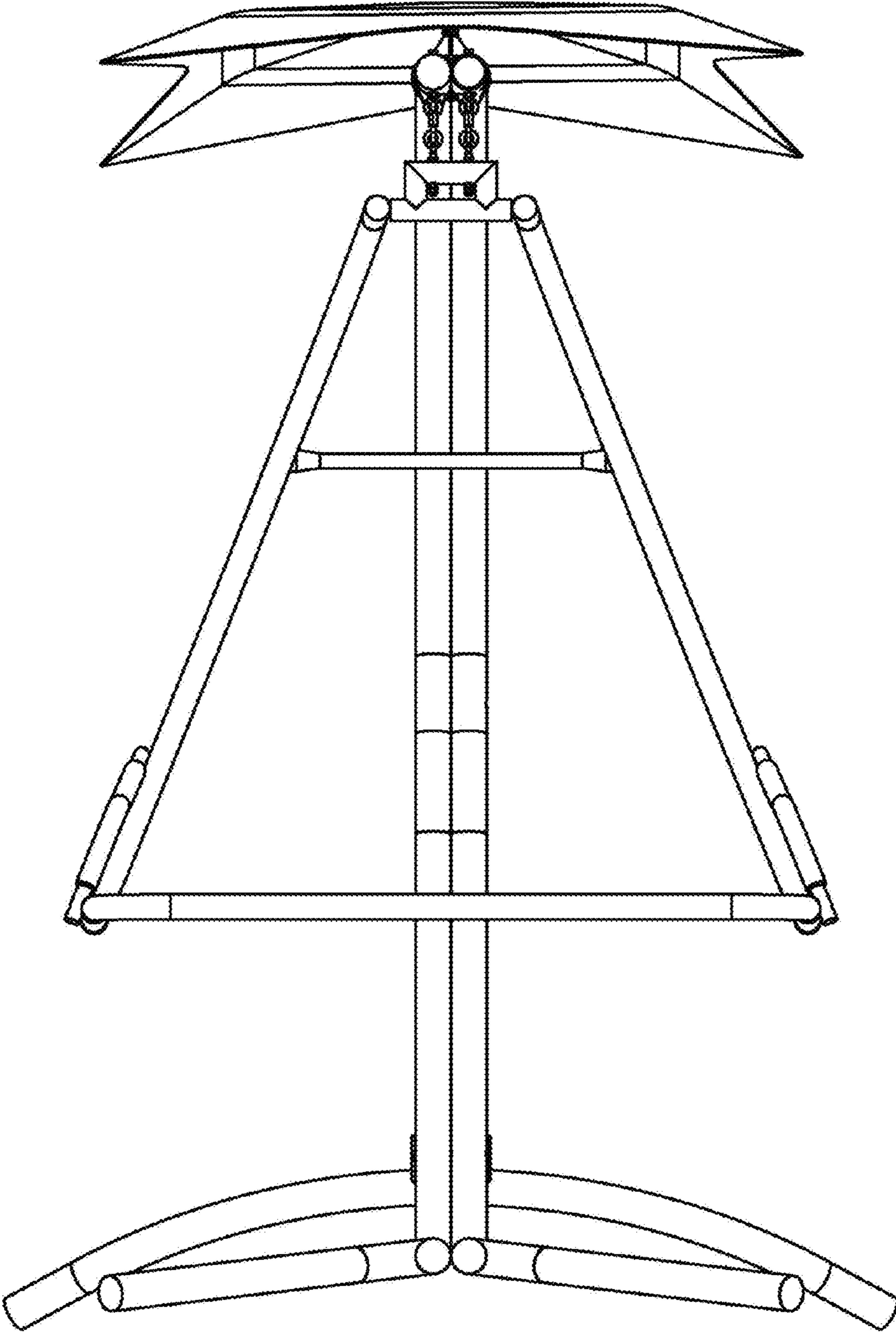


FIG. 1

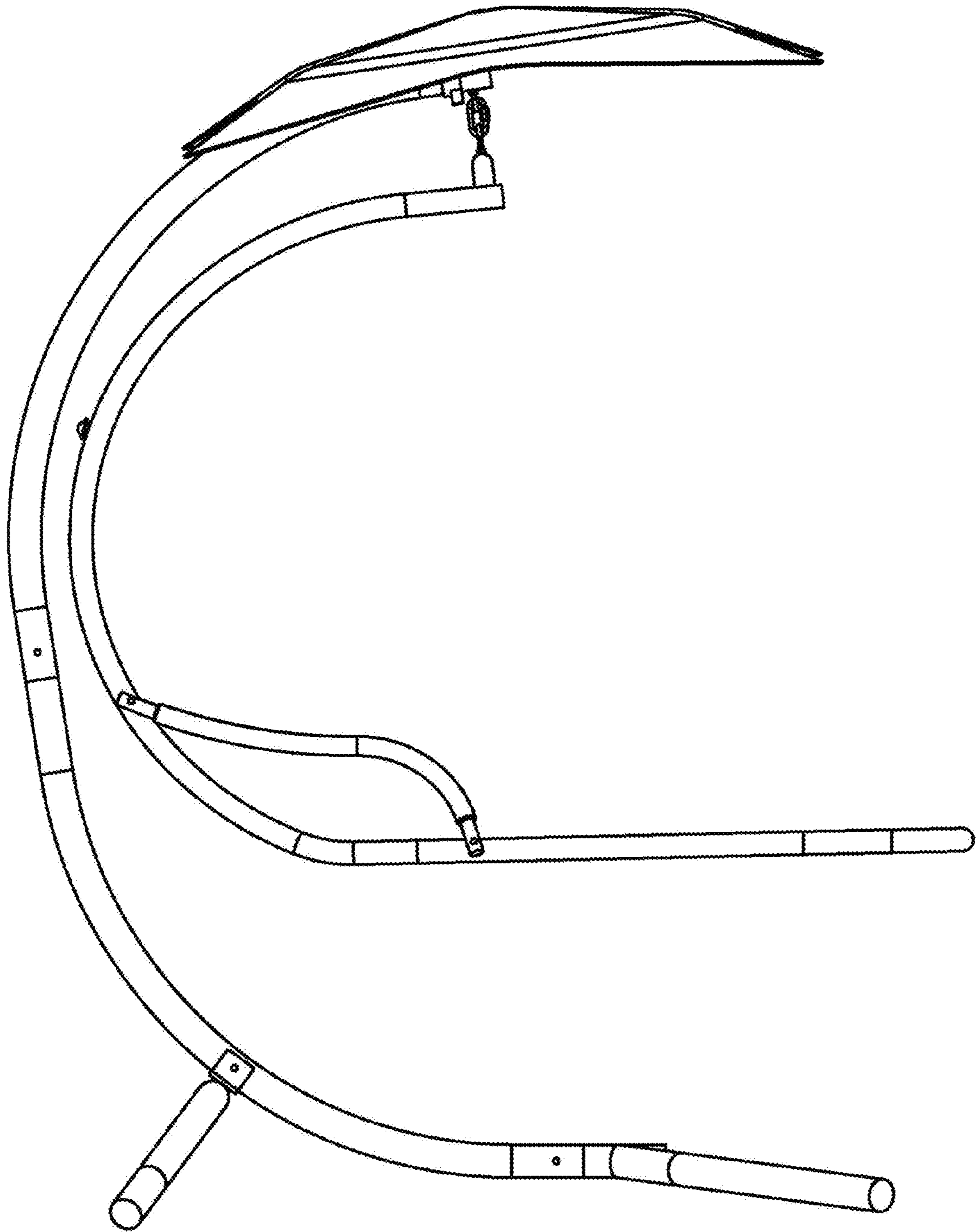


FIG. 2

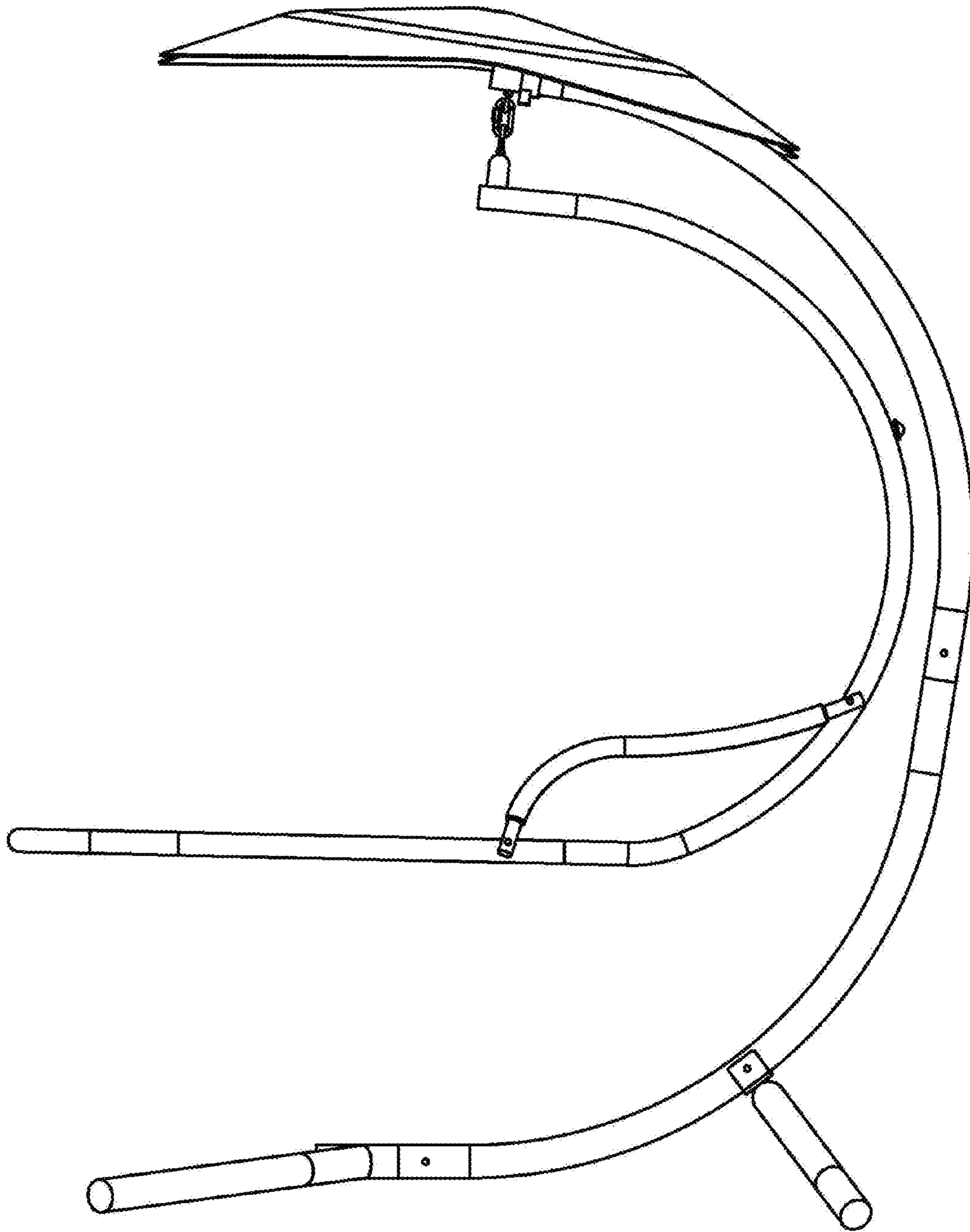


FIG. 3

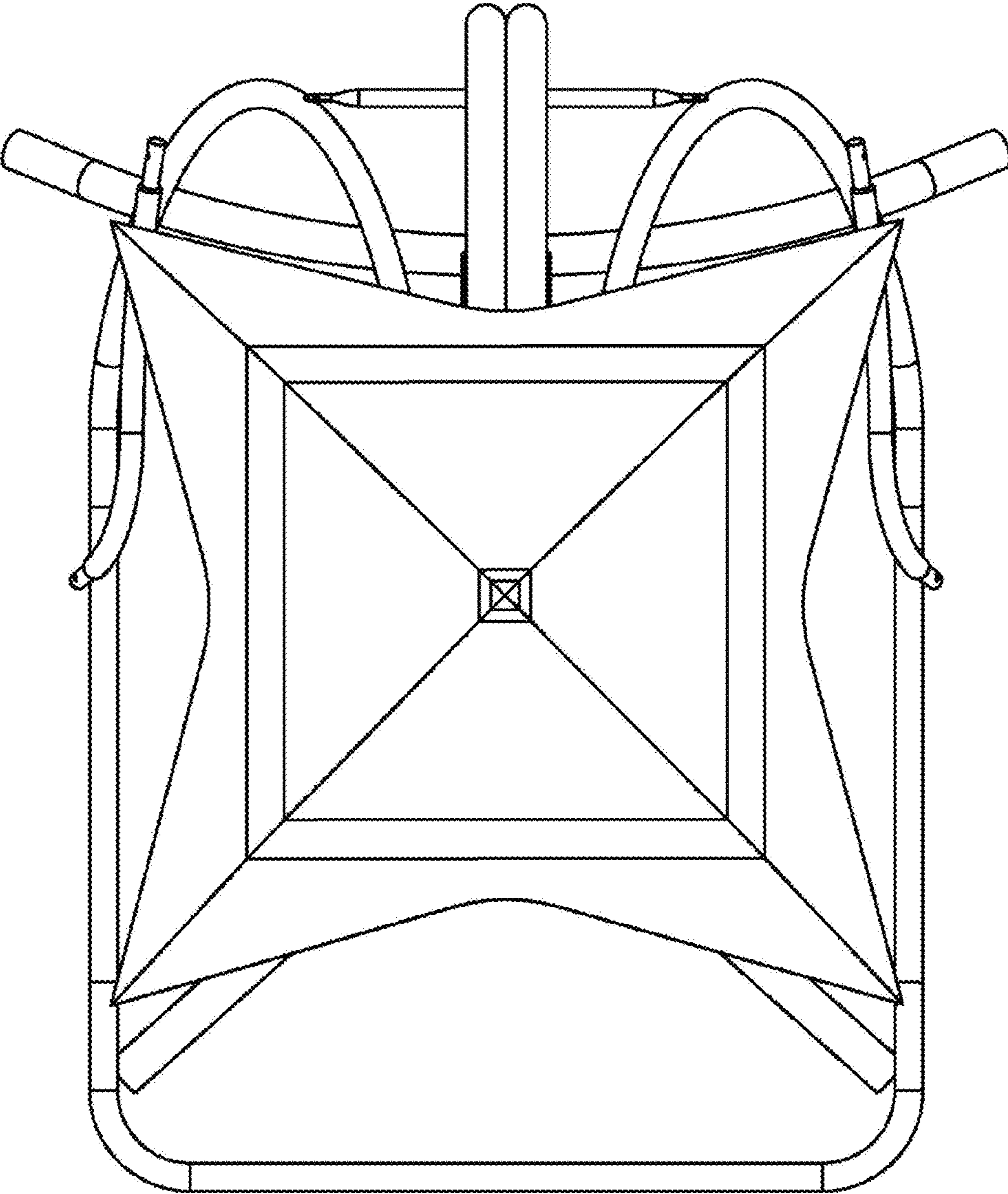


FIG. 4

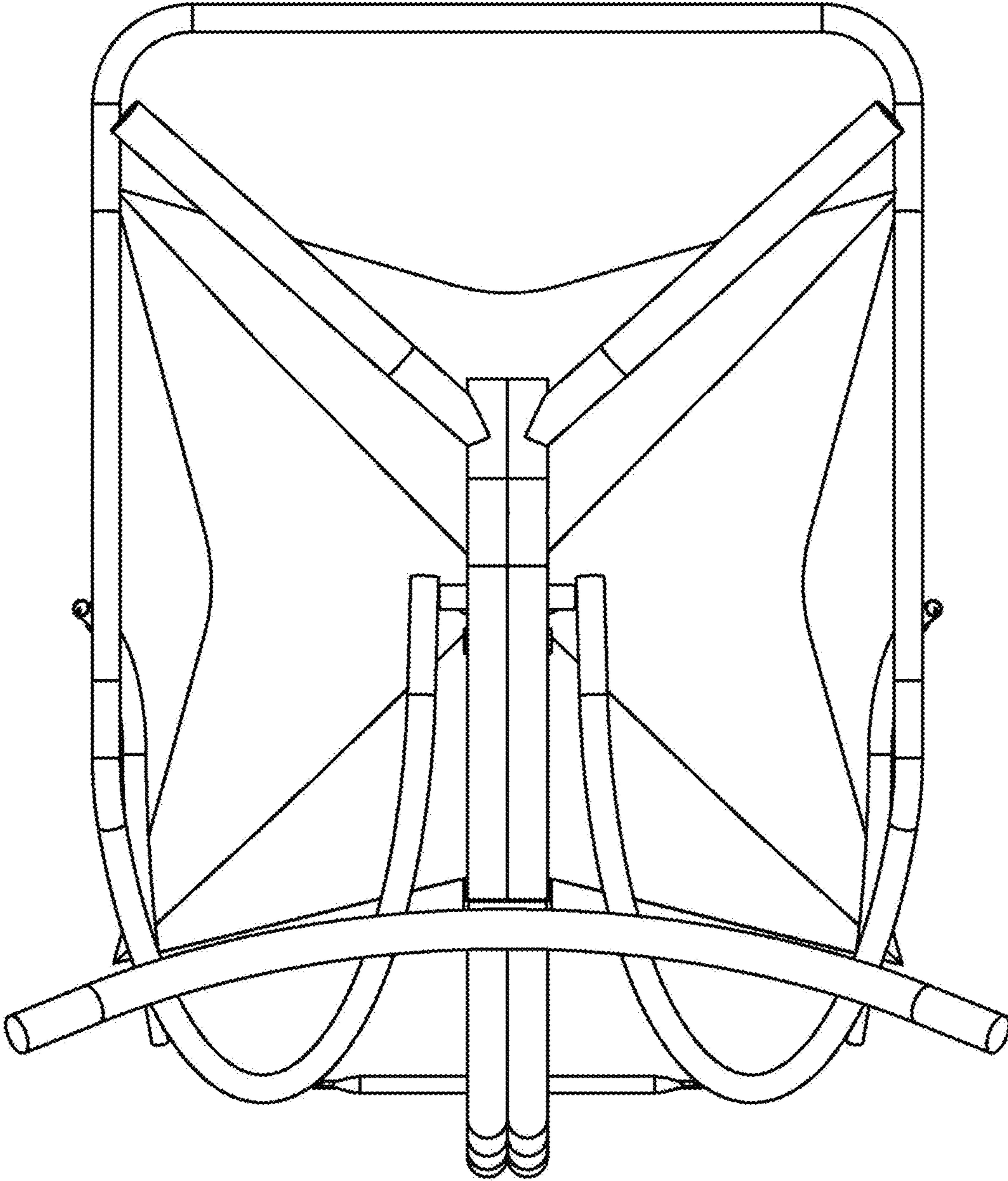


FIG. 5

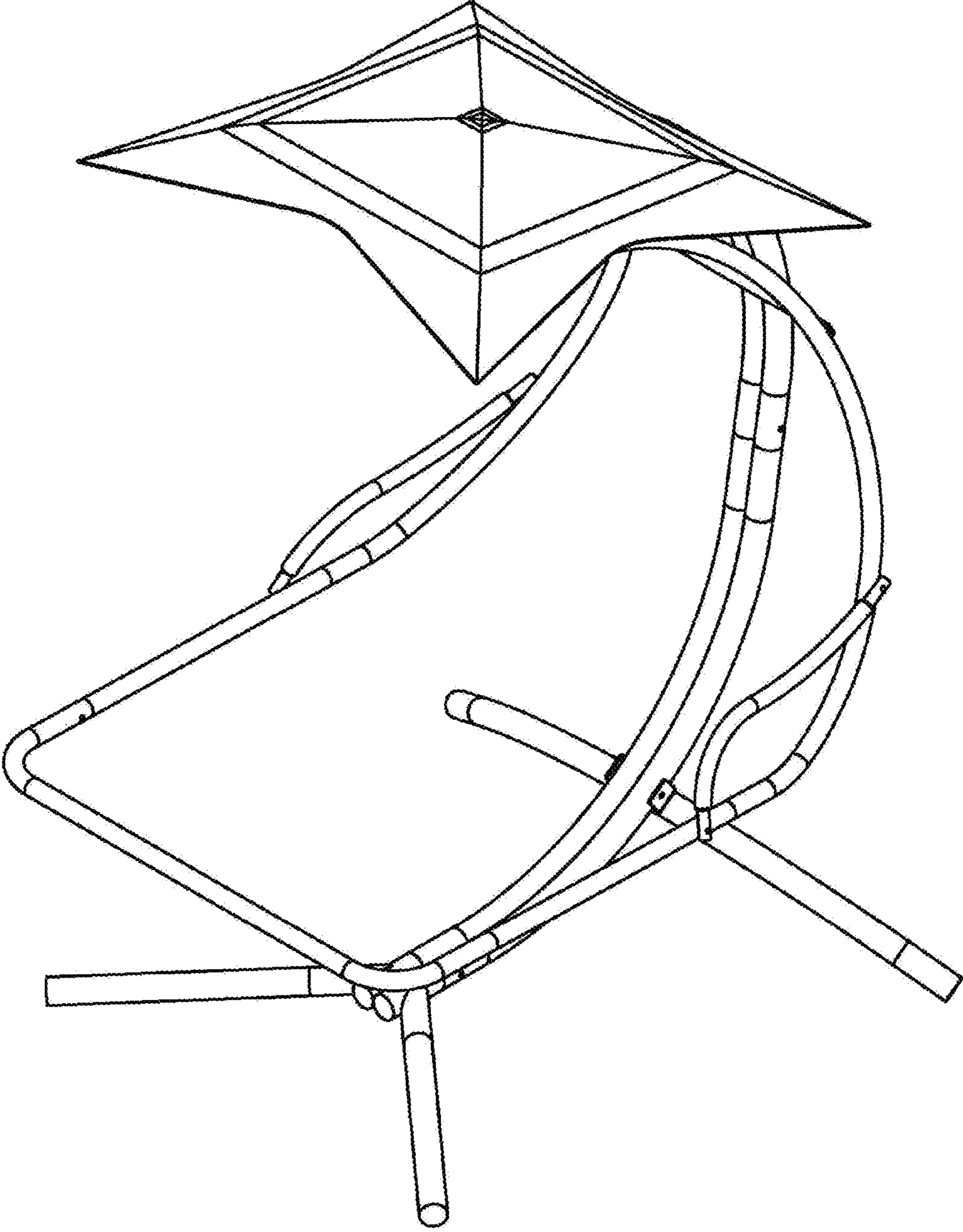


FIG. 6