

US00D699452S

(12) **United States Design Patent**  
**Clodfelter et al.**

(10) **Patent No.:** **US D699,452 S**  
(45) **Date of Patent:** **\*\* Feb. 18, 2014**

(54) **BAR FURNITURE FOR BALCONIES, PATIOS OR THE LIKE**

(71) Applicants: **Paul D. Clodfelter**, Greenwood, IN (US); **Patrick J. Youngman**, Noblesville, IN (US); **Scott Fitzpatrick**, Greenwood, IN (US)

(72) Inventors: **Paul D. Clodfelter**, Greenwood, IN (US); **Patrick J. Youngman**, Noblesville, IN (US); **Scott Fitzpatrick**, Greenwood, IN (US)

(\*\*) Term: **14 Years**

(21) Appl. No.: **29/465,925**

(22) Filed: **Sep. 3, 2013**

**Related U.S. Application Data**

(63) Continuation-in-part of application No. 13/587,745, filed on Aug. 16, 2012.

(51) **LOC (10) Cl.** ..... **06-01**

(52) **U.S. Cl.**  
USPC ..... **D6/338; D6/359**

(58) **Field of Classification Search**  
USPC ..... D6/334-338, 349, 355, 361, 368-370, D6/376, 379-381, 492, 500-502, 601, 716, D6/716.1, 716.4, 377; 297/16.1, 42, 94, 297/135, 175, 232, 233, 350, 351, 445.1, 297/448.1, 448.2, 451.9; 5/12.1, 12.2  
See application file for complete search history.

(56) **References Cited**

**U.S. PATENT DOCUMENTS**

D96,841 S \* 9/1935 Kelley ..... D6/337  
D158,921 S \* 6/1950 McEwynn ..... D6/337

(Continued)

**OTHER PUBLICATIONS**

The Balcony Bar brochure, published and goods offered for sale prior to Sep. 3, 2012, 1 pg.\*

*Primary Examiner* — Sandra Snapp

(57) **CLAIM**

The ornamental design for a bar furniture for balconies, patios or the like, as shown and described.

**DESCRIPTION**

FIG. 1 is a perspective view of a bar furniture for balconies, patios or the like showing our new design.

FIG. 2 is a front elevation view of the bar furniture for balconies, patios or the like of FIG. 1.

FIG. 3 is an enlarged, left side elevation view of the bar furniture for balconies, patios or the like of FIG. 1. The right side elevation view is a mirror image of the left side elevation view.

FIG. 4 is a rear elevation view of the bar furniture for balconies, patios or the like of FIG. 1.

FIG. 5 is a top plan view of the bar furniture for balconies, patios or the like of FIG. 1.

FIG. 6 is a bottom view of the bar furniture for balconies, patios or the like of FIG. 1.

FIG. 7 is a perspective view of just the bar of the bar furniture for balconies, patios or the like of FIG. 1.

FIG. 8 is a front elevation view of the bar of FIG. 7.

FIG. 9 is an enlarged, left side elevation view of the bar of FIG. 7.

FIG. 10 is a rear elevation view of the bar of FIG. 7.

FIG. 11 is a top plan view of the bar of FIG. 7.

FIG. 12 is a bottom view of the bar of FIG. 7.

FIG. 13 is a perspective view of just one of the stools of the bar furniture for balconies, patios or the like of FIG. 1. The two stools shown in FIG. 1 are mutually identical.

FIG. 14 is a front elevation view of the stool of FIG. 13. The rear elevation view of the stool is identical to the front elevation view of the stool.

FIG. 15 is a left side elevation view of the stool of FIG. 13. The right side elevation view of the stool is identical to the left side elevation view of the stool.

FIG. 16 is a top plan view of the stool of FIG. 13.

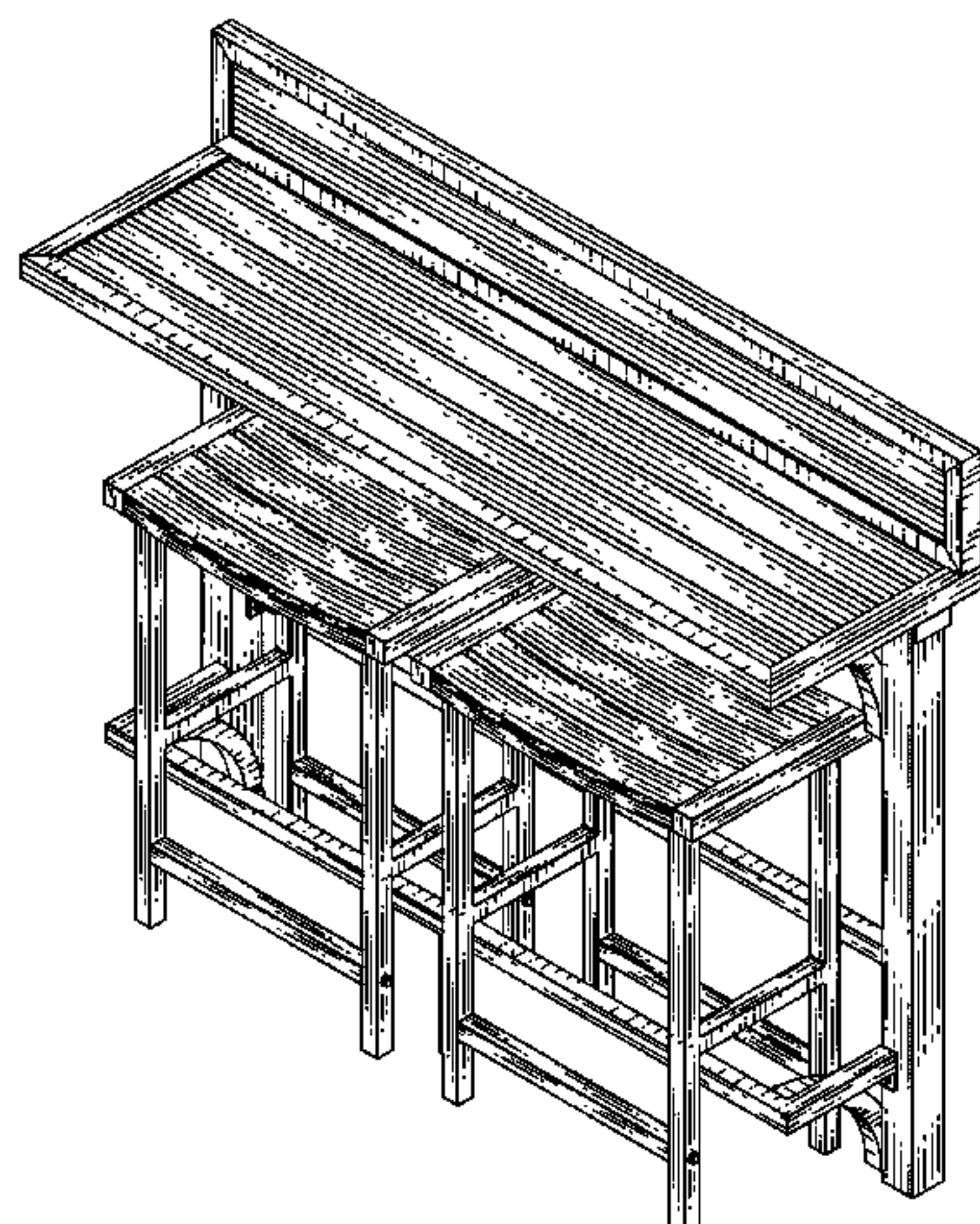
FIG. 17 is a bottom view of the stool of FIG. 13.

FIG. 18 is a perspective of view one of the stools of the bar furniture for balconies, patios or the like in accordance with an alternative embodiment of the present invention.

FIG. 19 is a front elevation view of the stool of FIG. 18. The rear elevation view of the stool is identical to the front elevation view of the stool; and,

FIG. 20 is a left side elevation view of the stool of FIG. 1. The right side elevation view of the stool is identical to the left side elevation view of the stool.

**1 Claim, 14 Drawing Sheets**



# US D699,452 S

Page 2

---

(56)

## References Cited

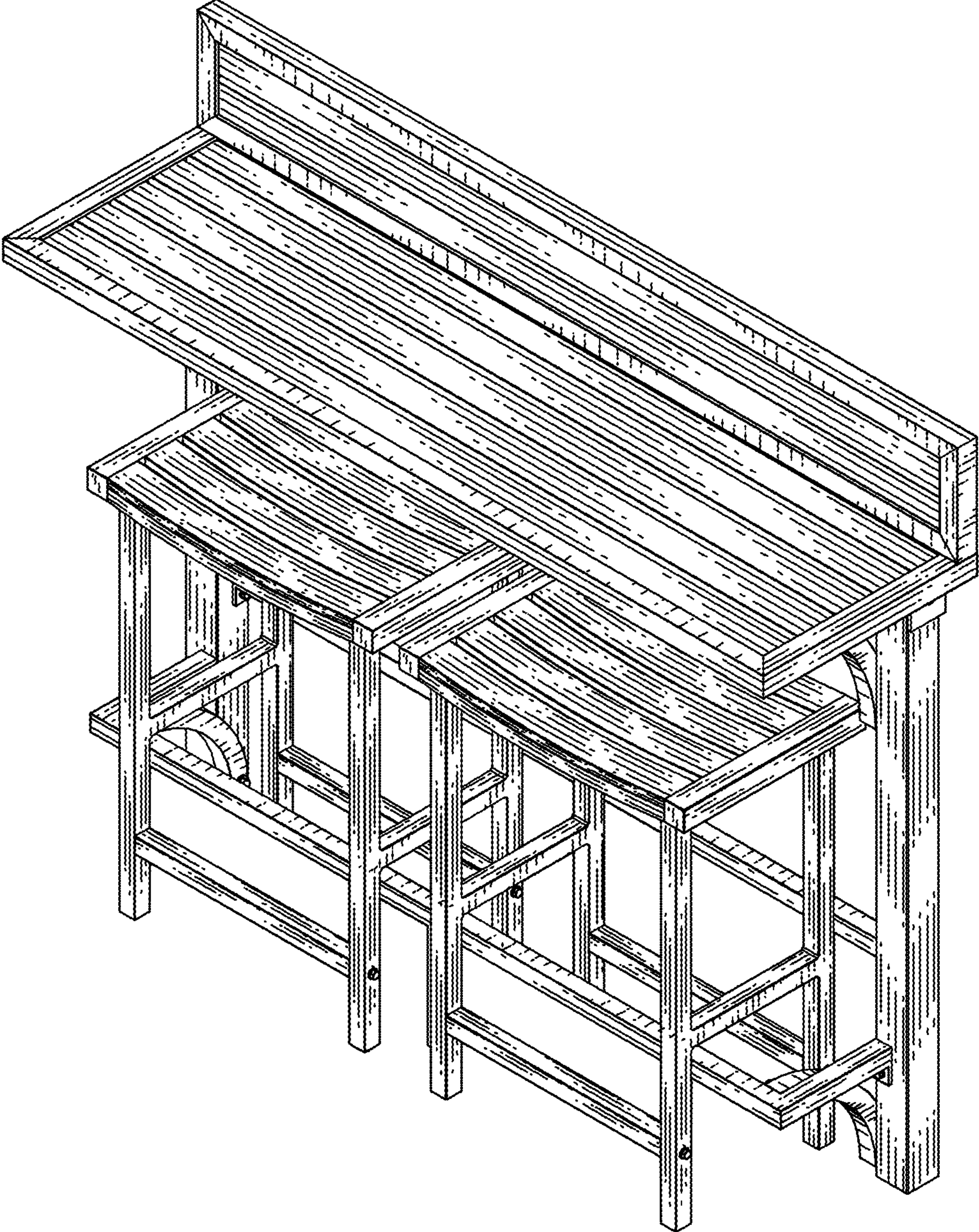
### U.S. PATENT DOCUMENTS

D182,822 S \* 5/1958 Kempner ..... D6/337  
3,486,790 A \* 12/1969 Barecki et al. .... 297/142  
D379,874 S \* 6/1997 Stirling et al. .... D6/338

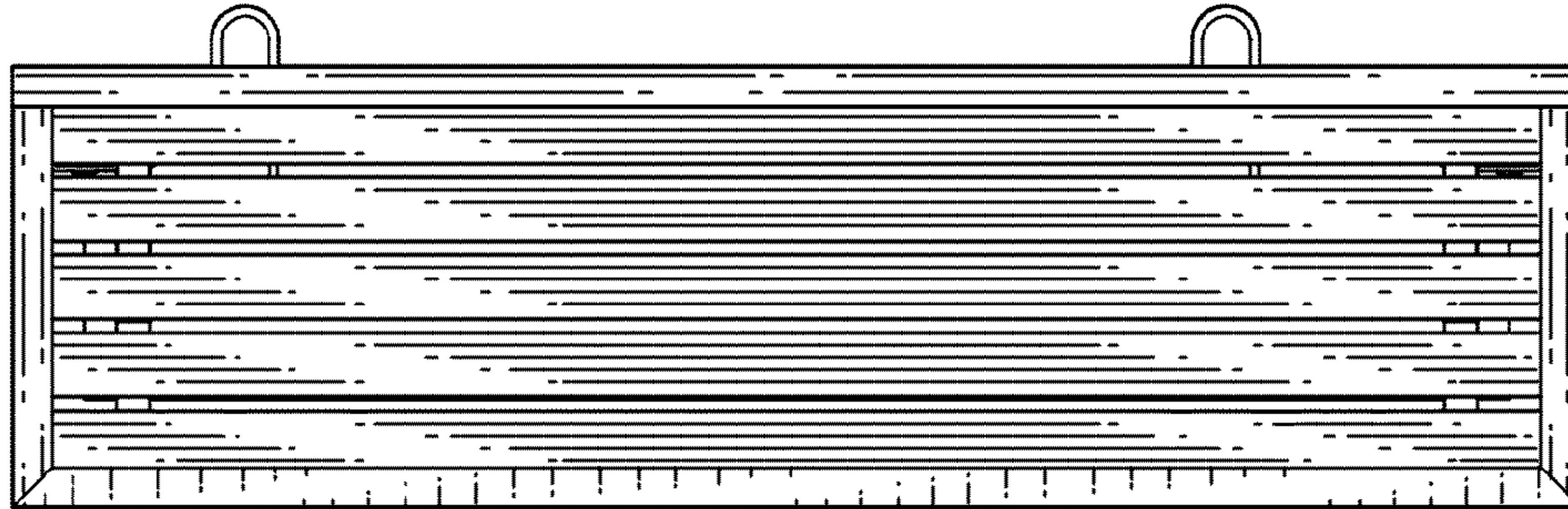
D427,802 S \* 7/2000 Adler et al. .... D6/397  
7,370,909 B2 \* 5/2008 Gevaert ..... 297/142  
D597,752 S \* 8/2009 Hernandez et al. .... D6/336  
D618,000 S \* 6/2010 Hernandez et al. .... D6/336

\* cited by examiner

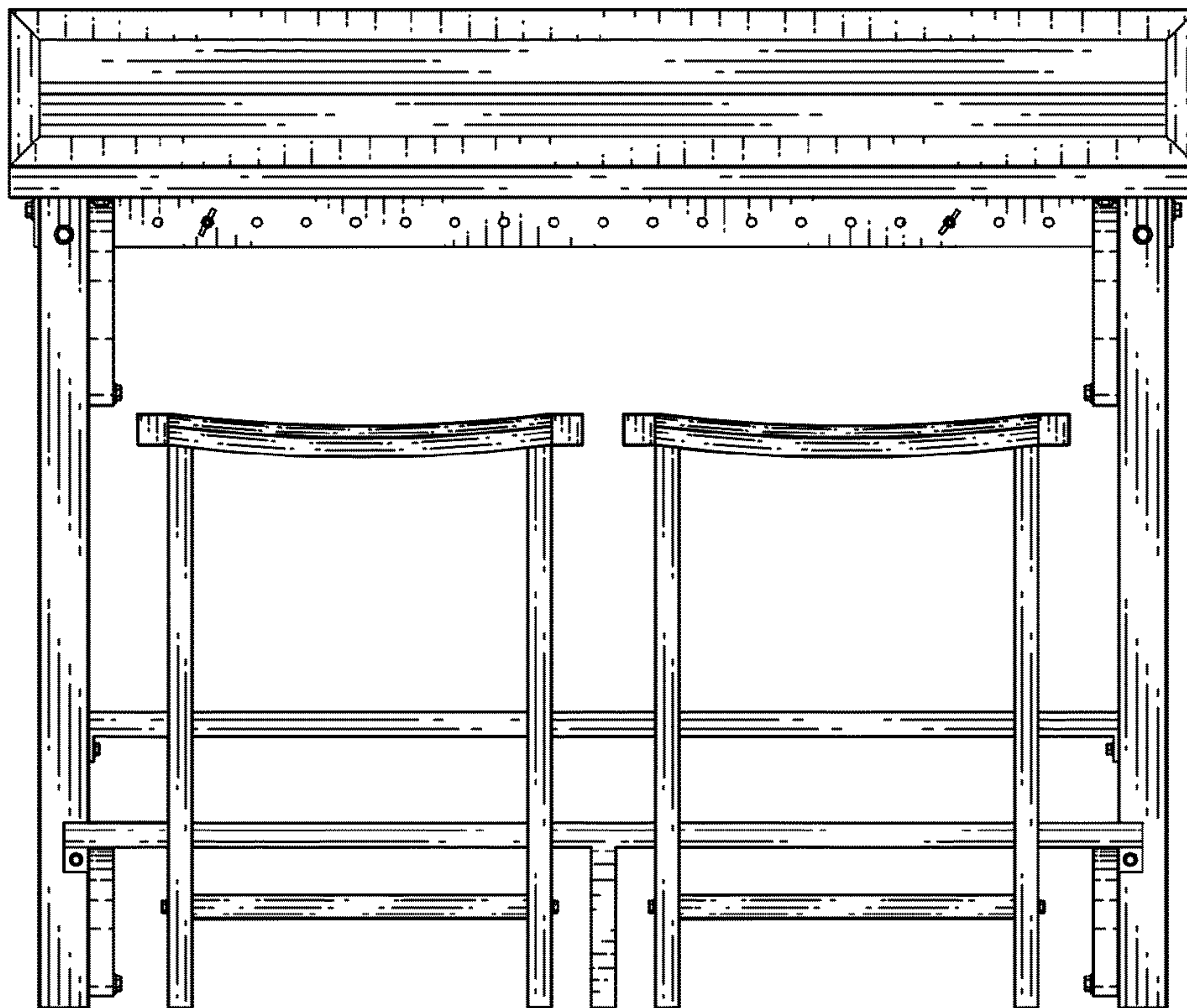




***Fig. 1***

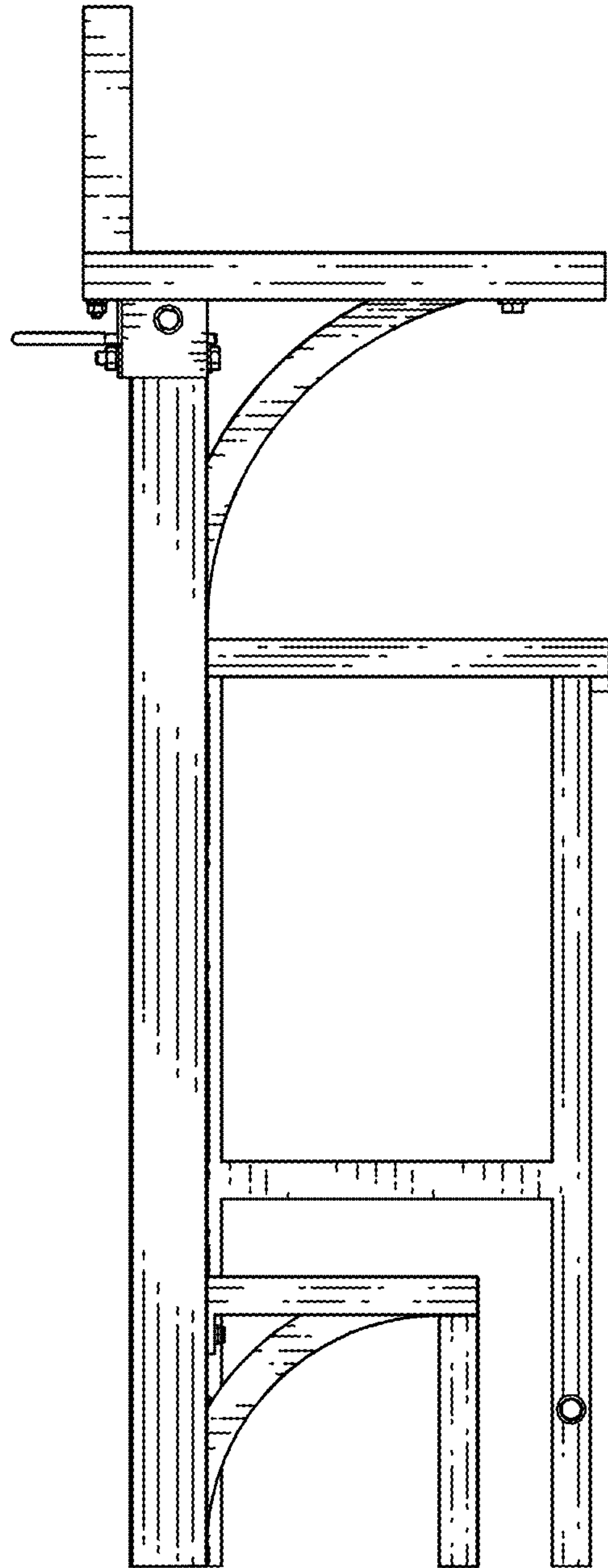


*Fig. 5*

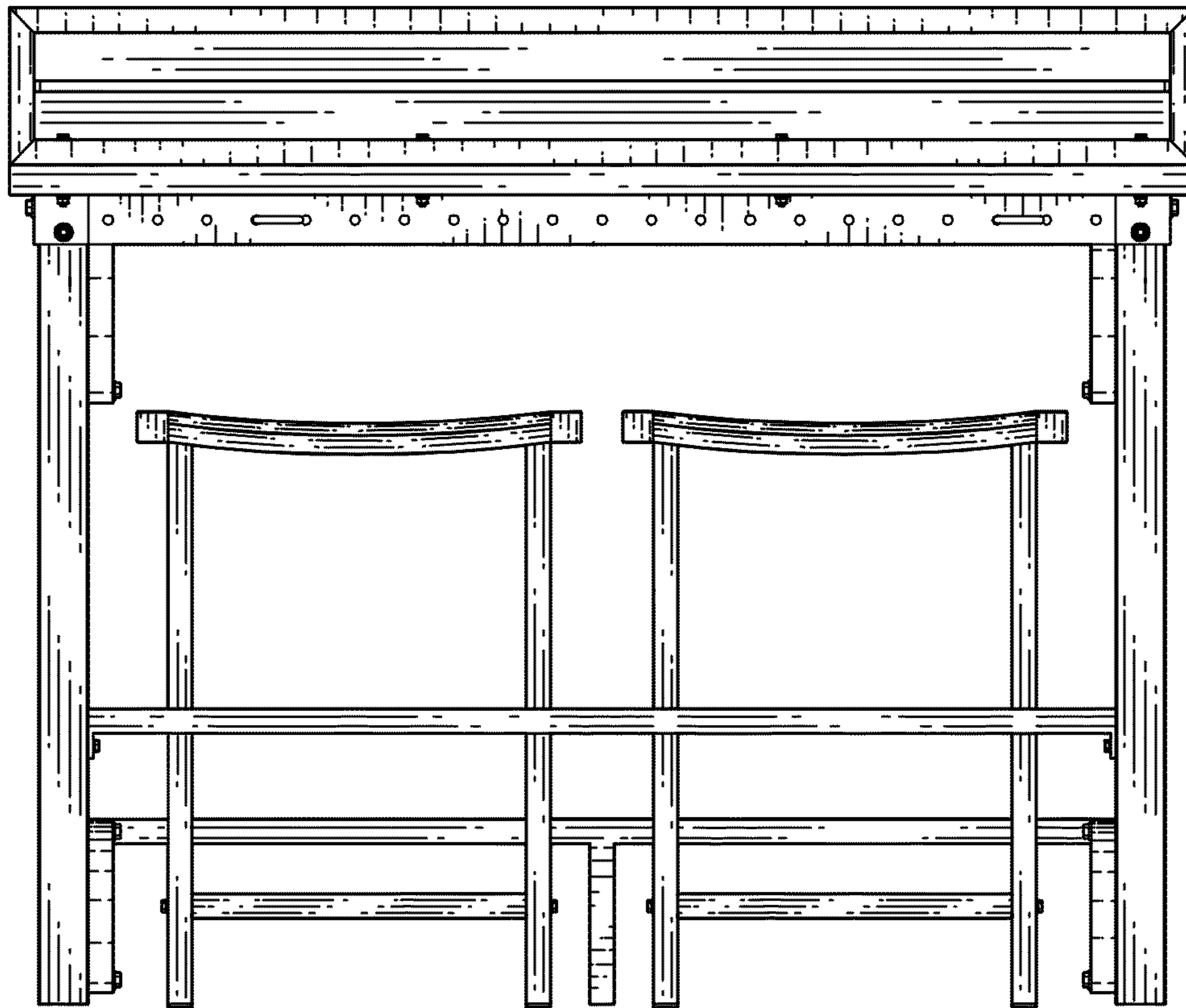


*Fig. 2*

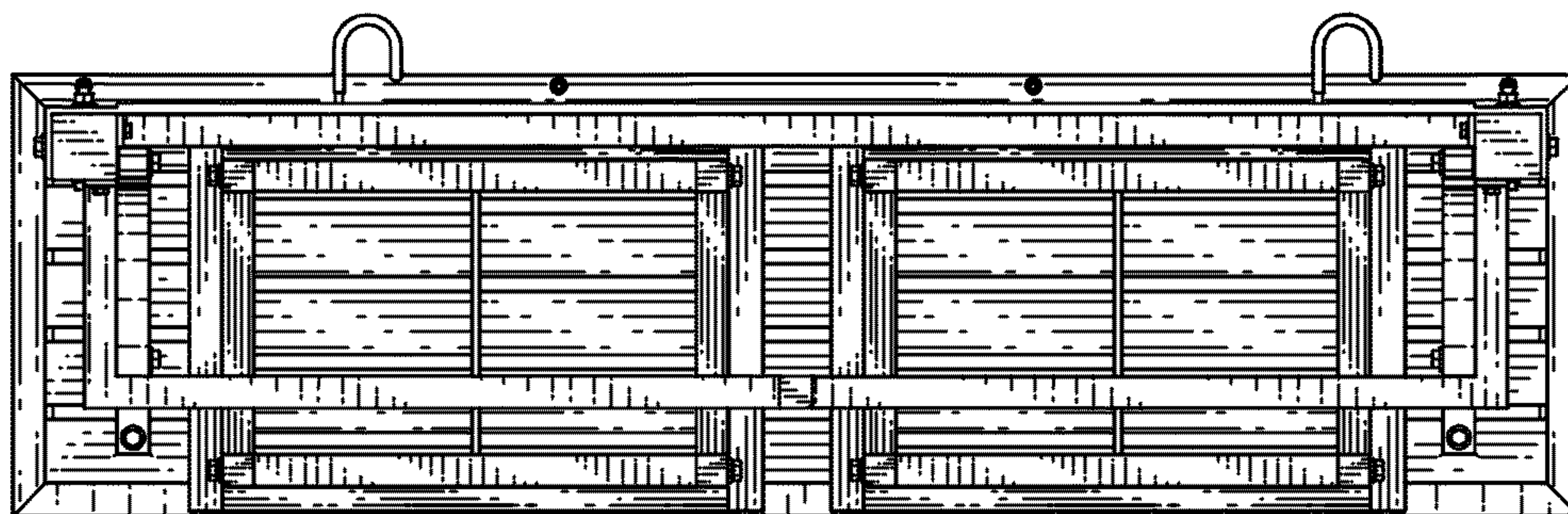




***Fig. 3***

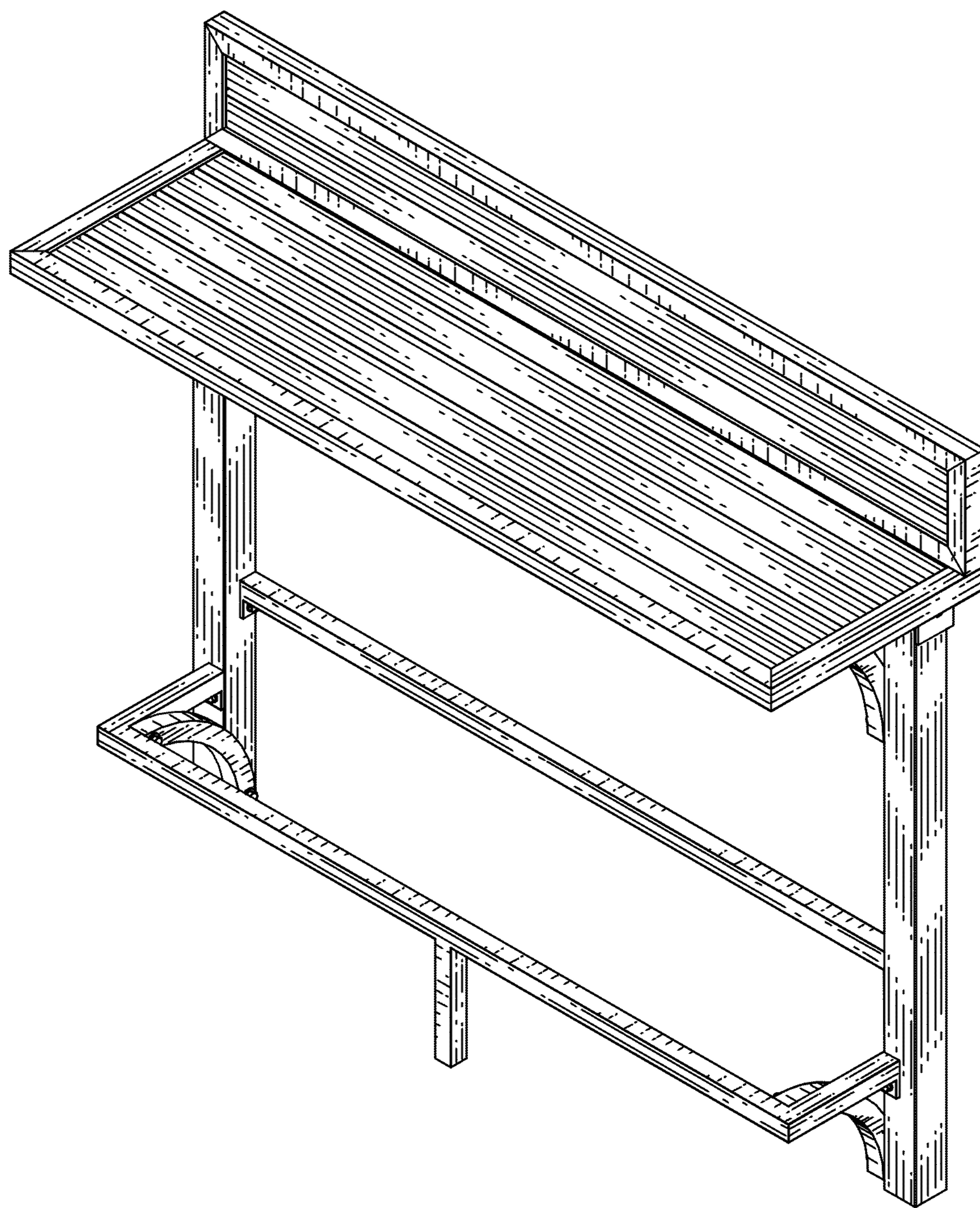


*Fig. 4*

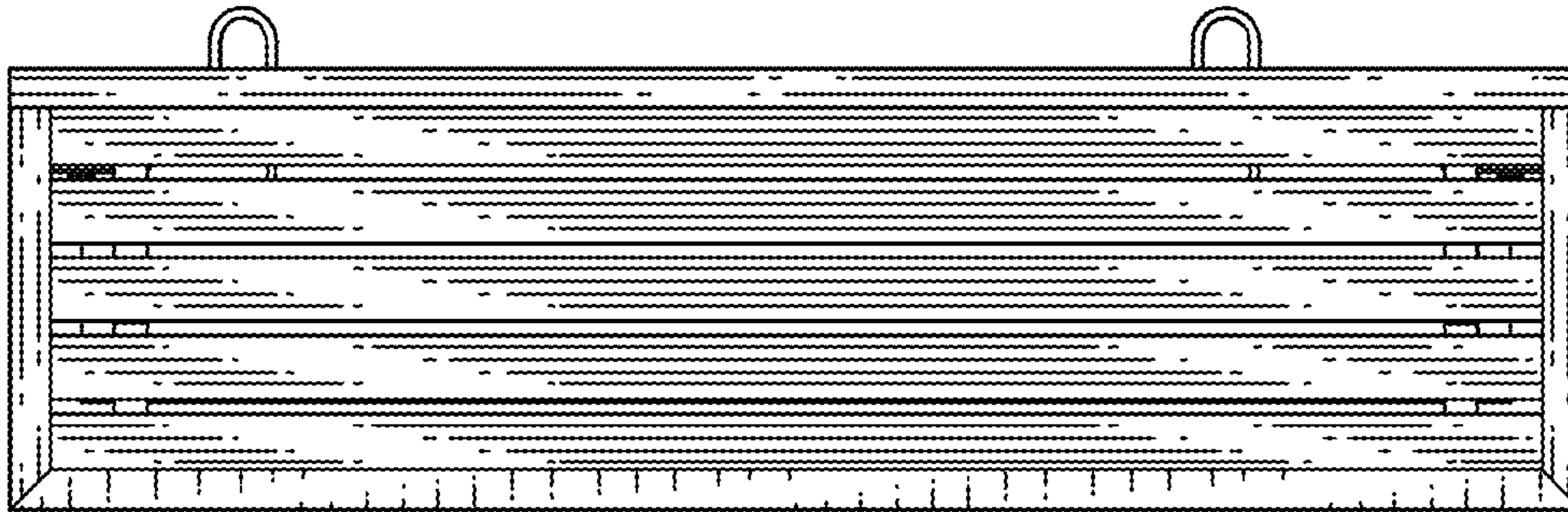


*Fig. 6*

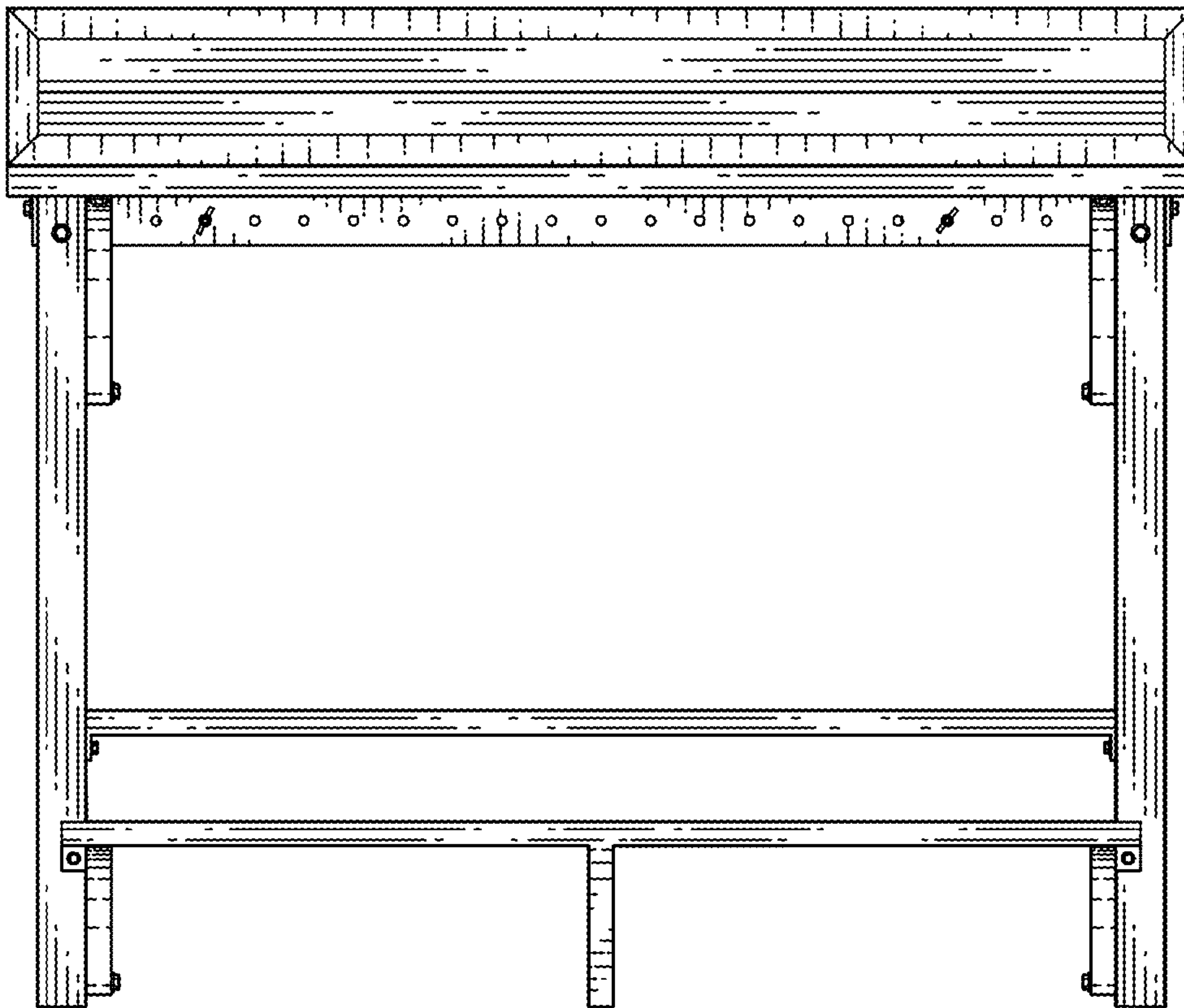




**Fig. 7**

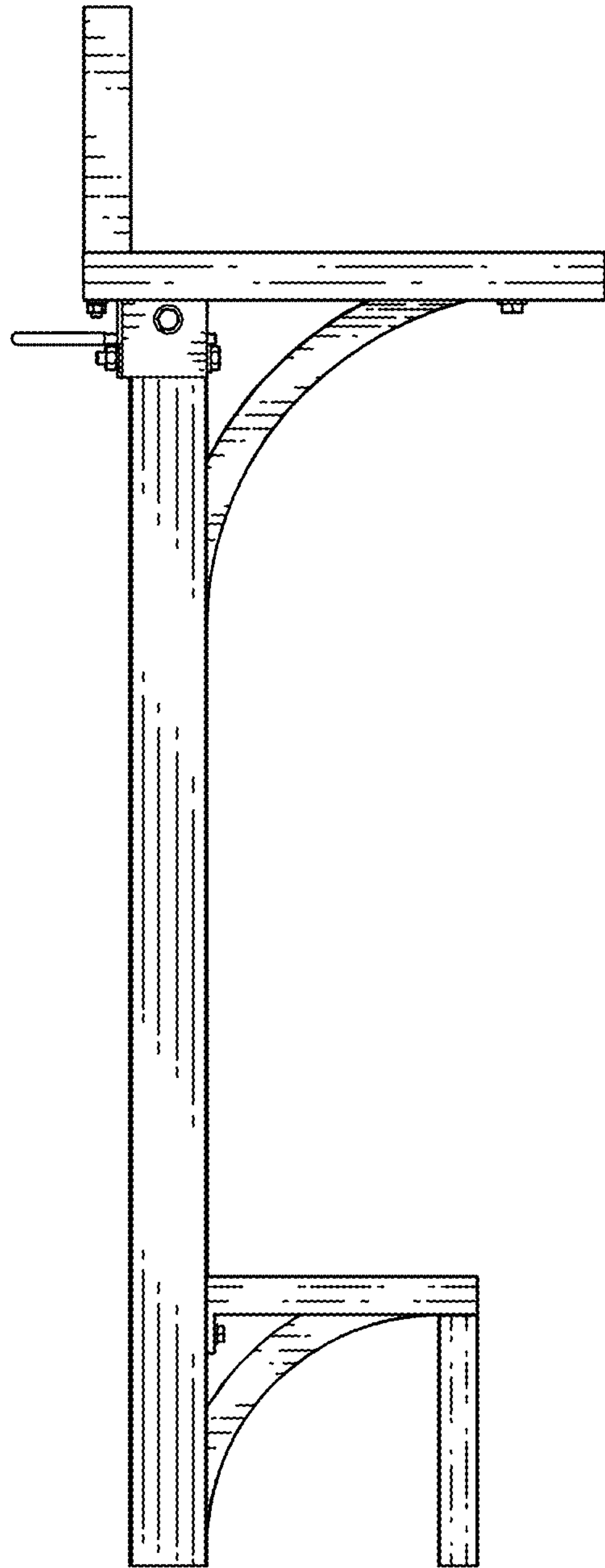


**Fig. 11**

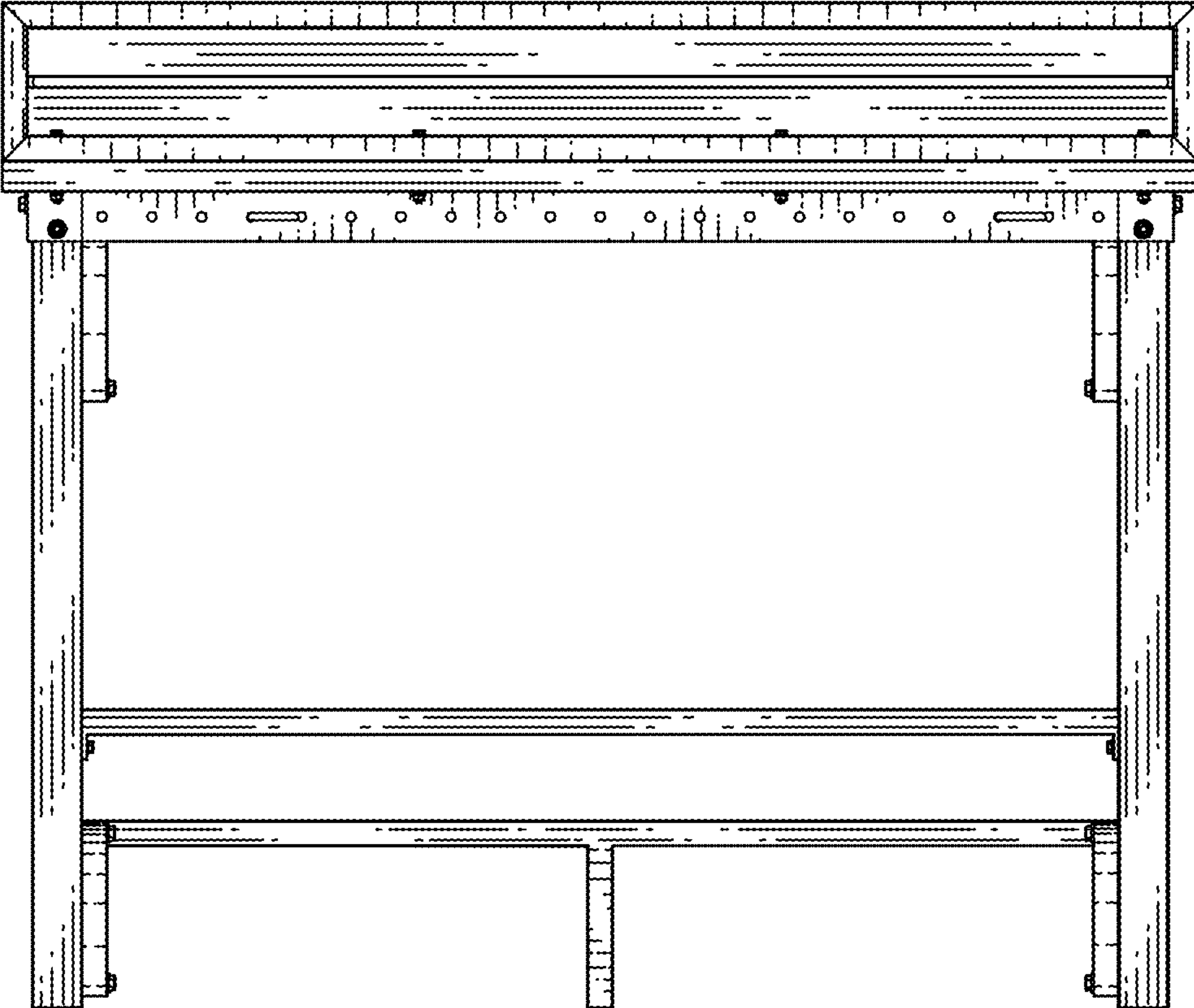


**Fig. 8**

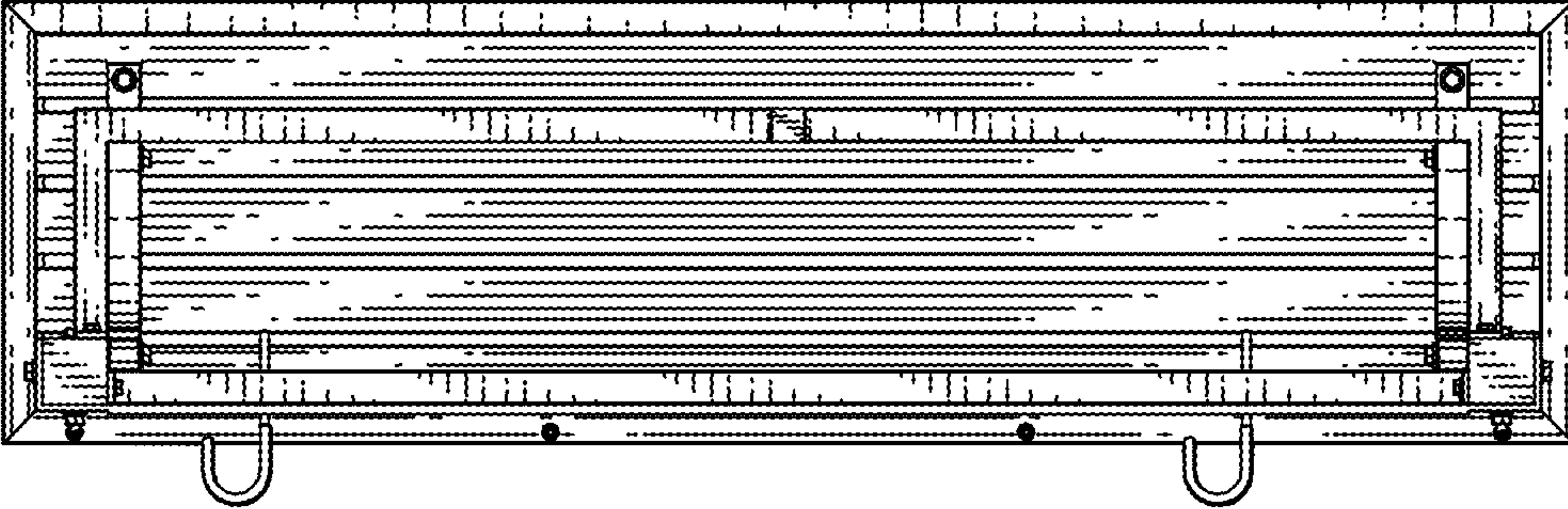




**Fig. 9**

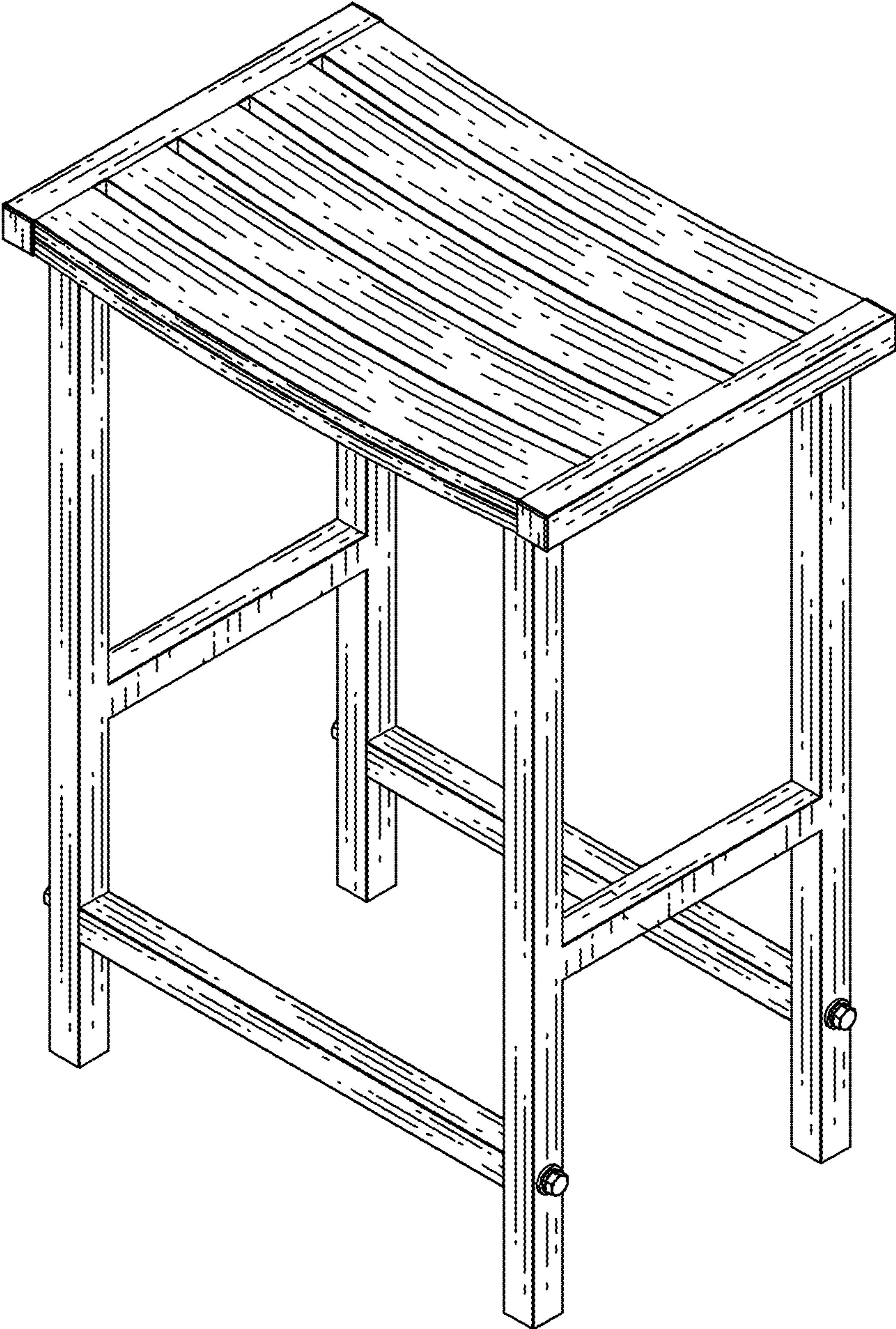


**Fig. 10**

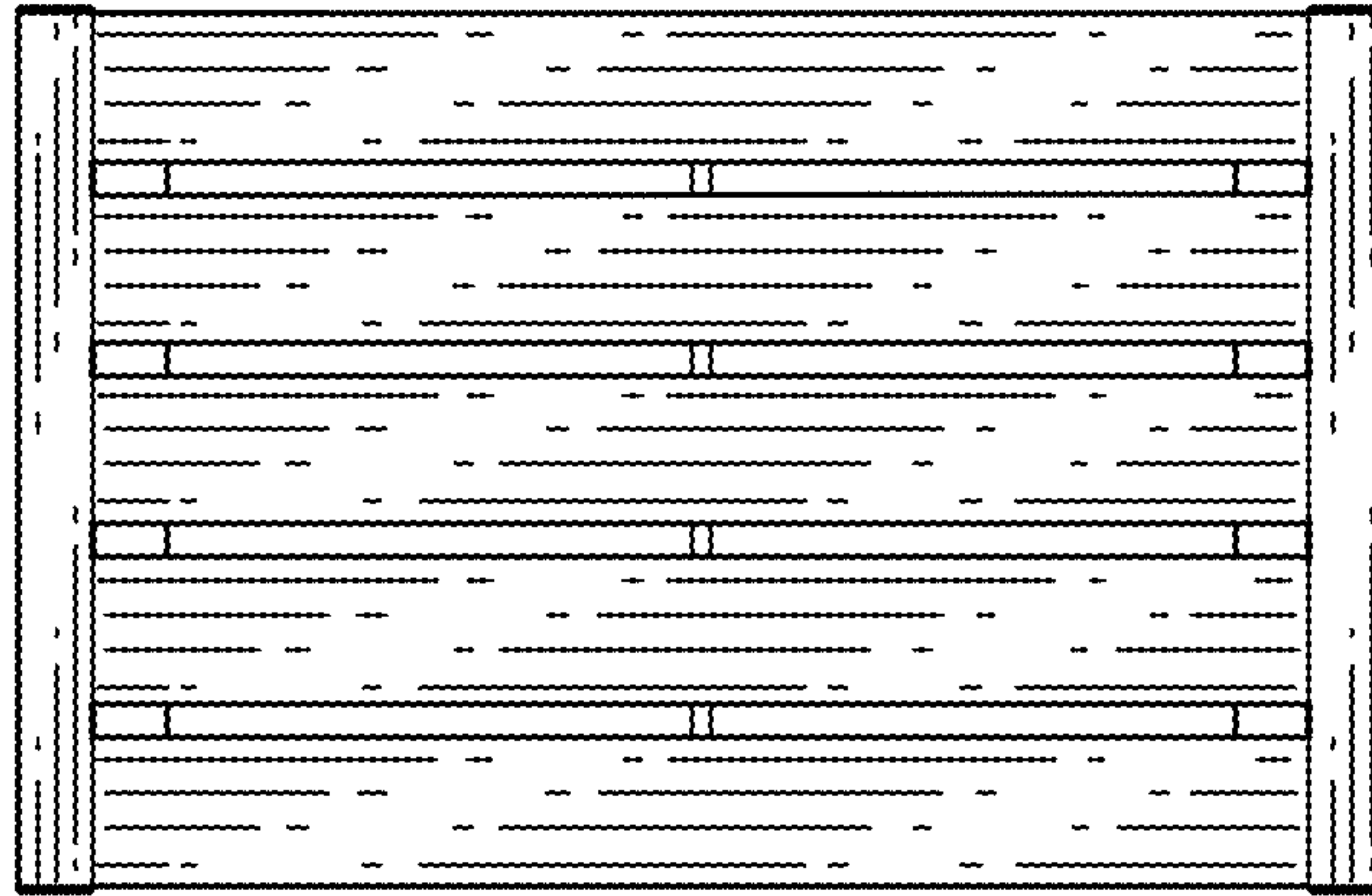


**Fig. 12**

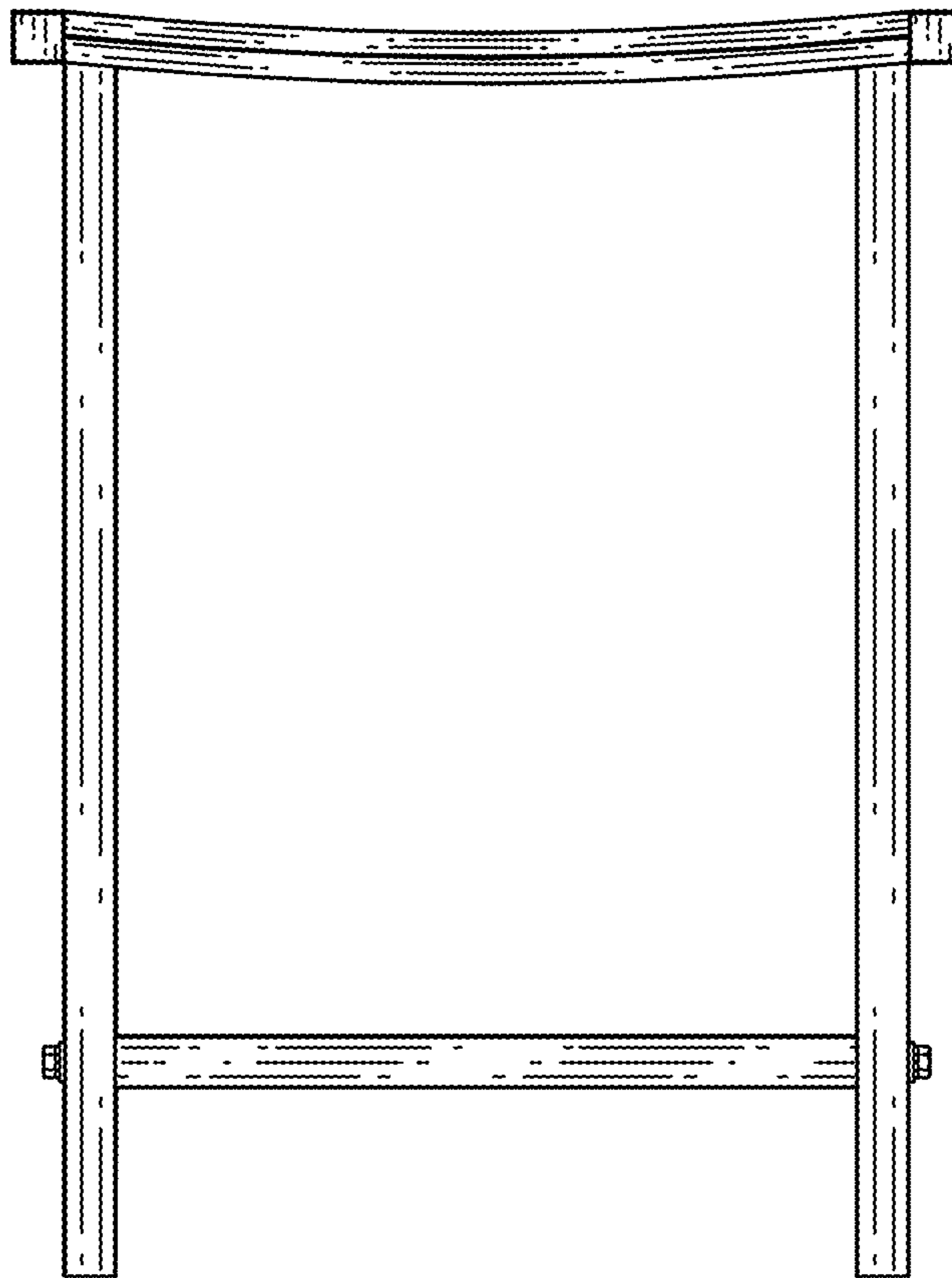




***Fig. 13***

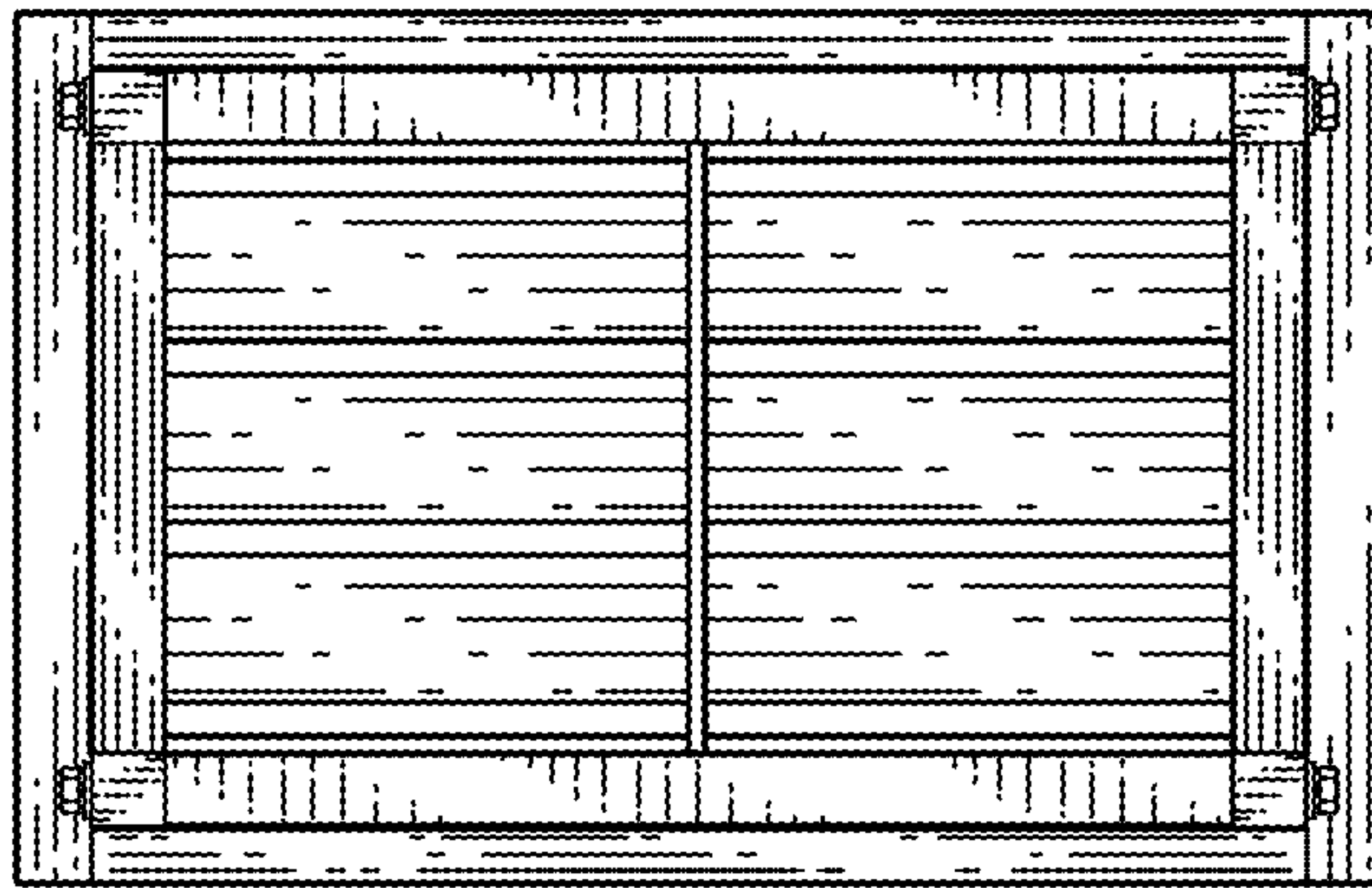


***Fig. 16***

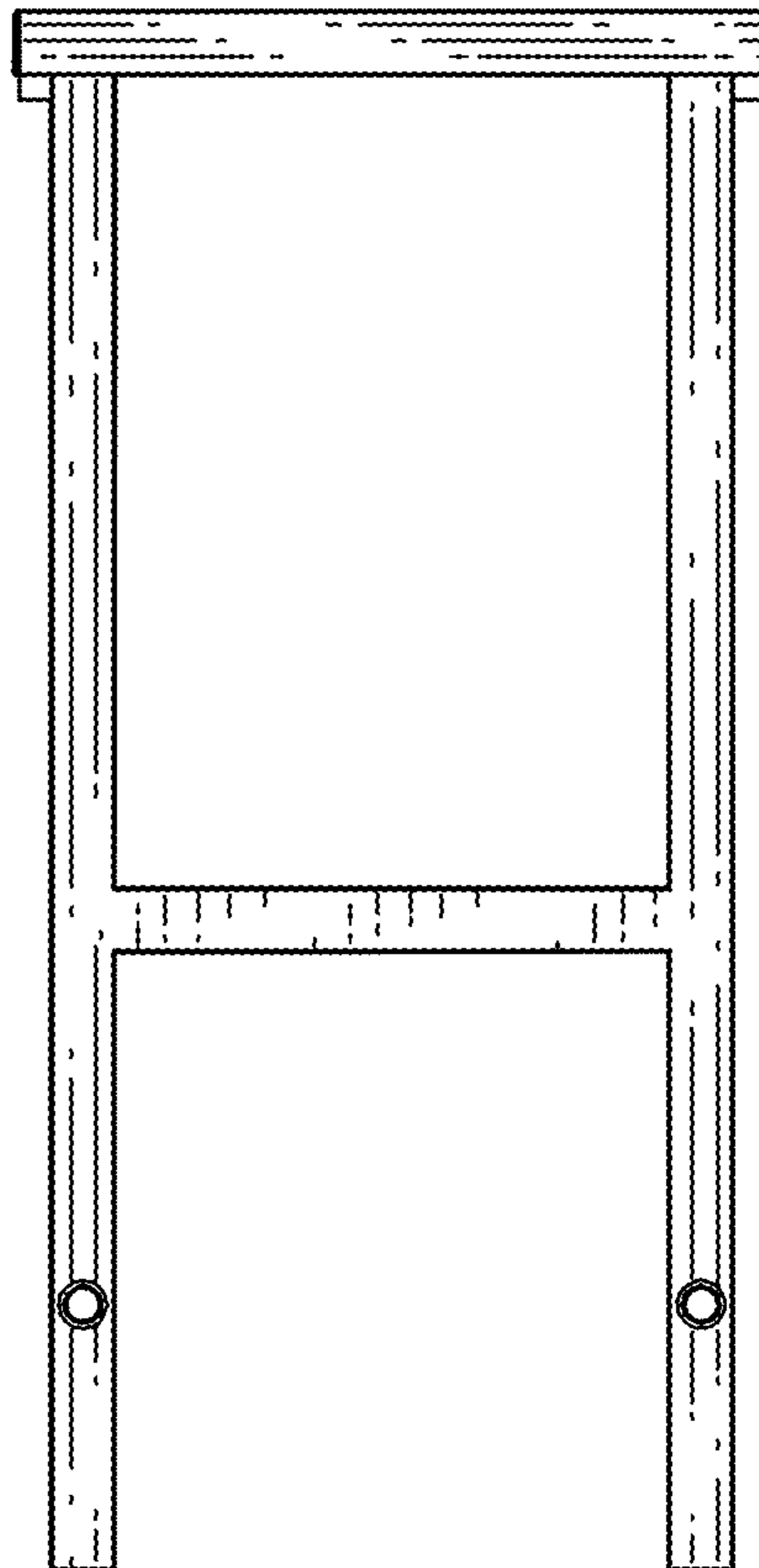


***Fig. 14***

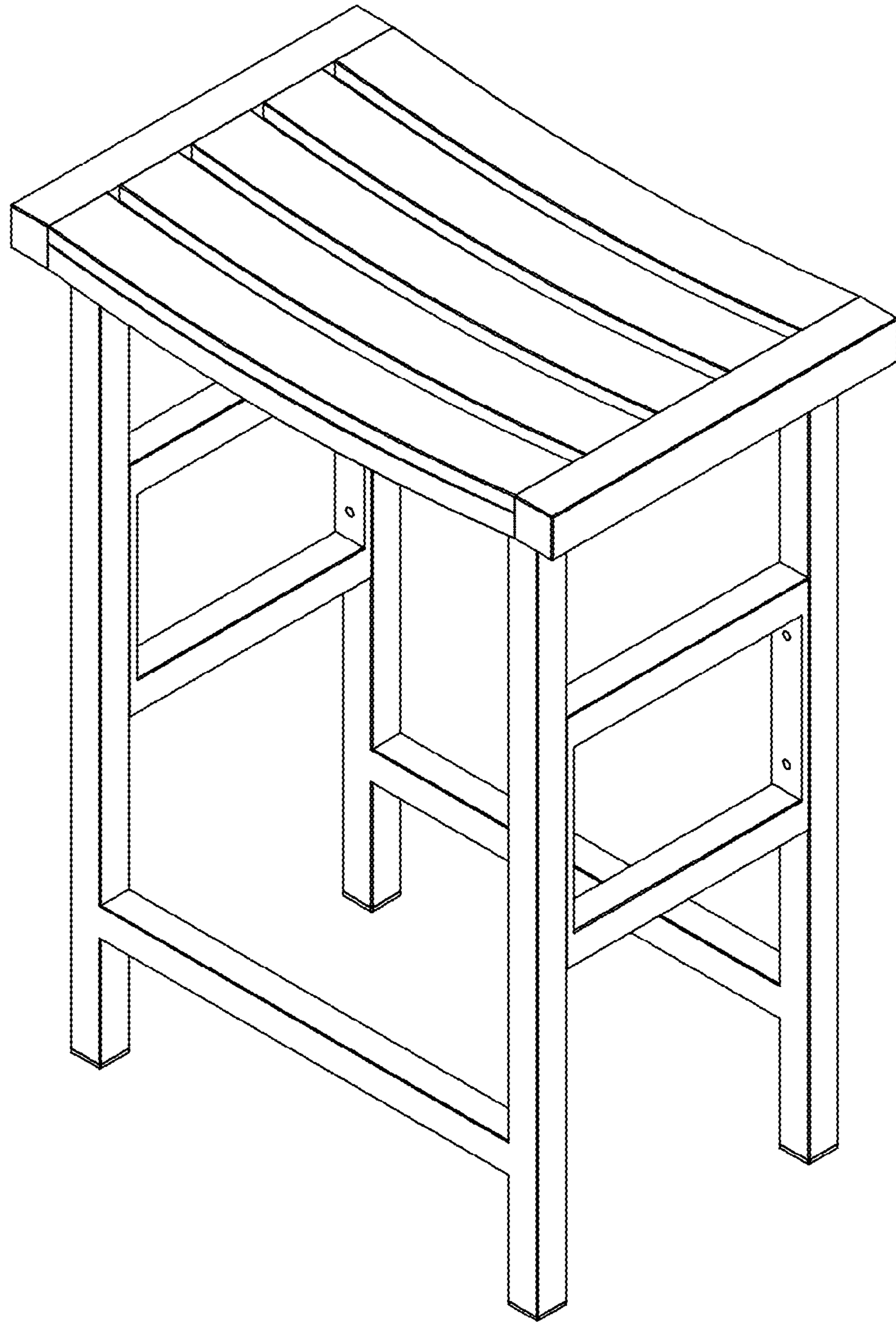




***Fig. 17***

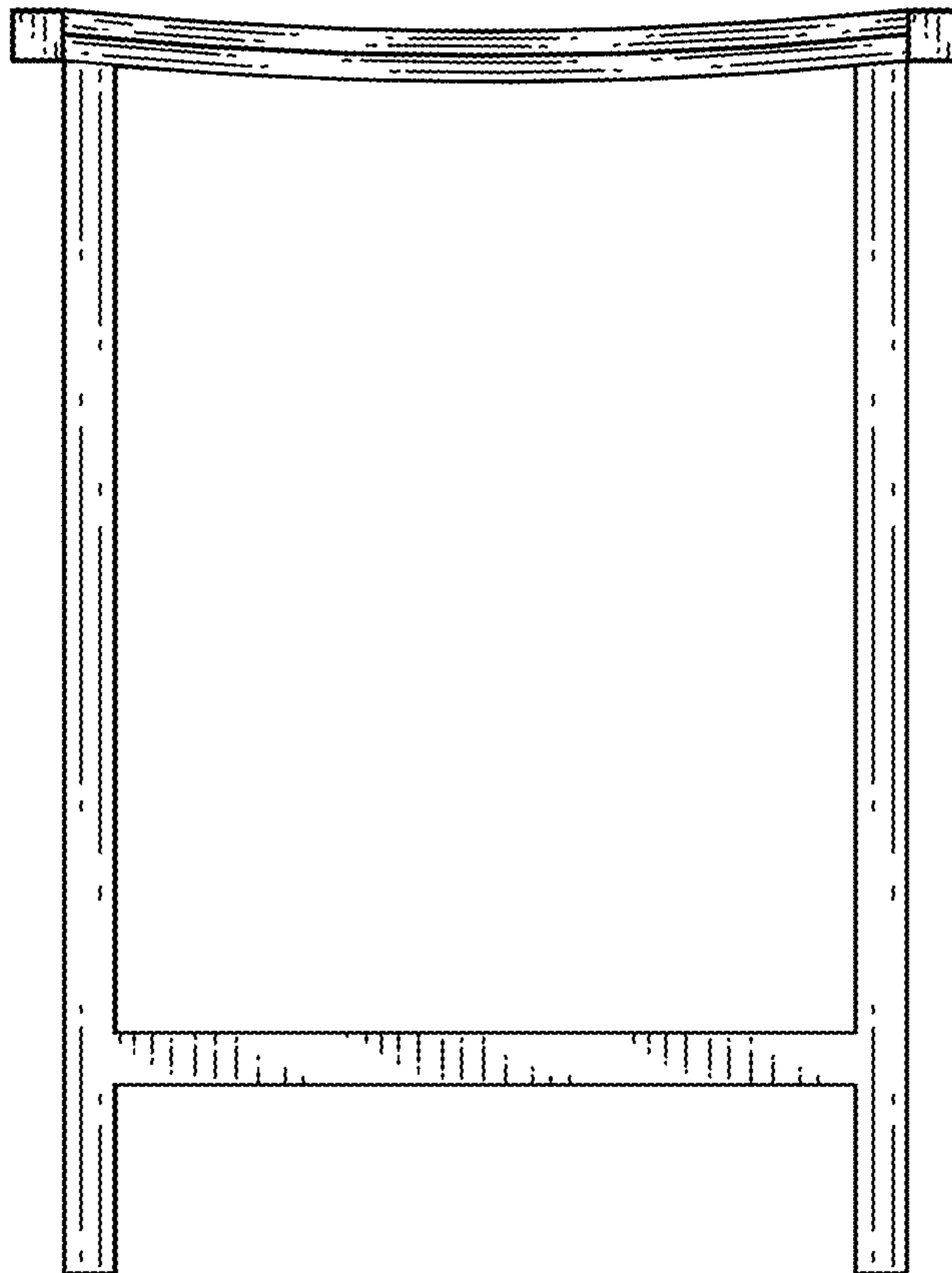


***Fig. 15***

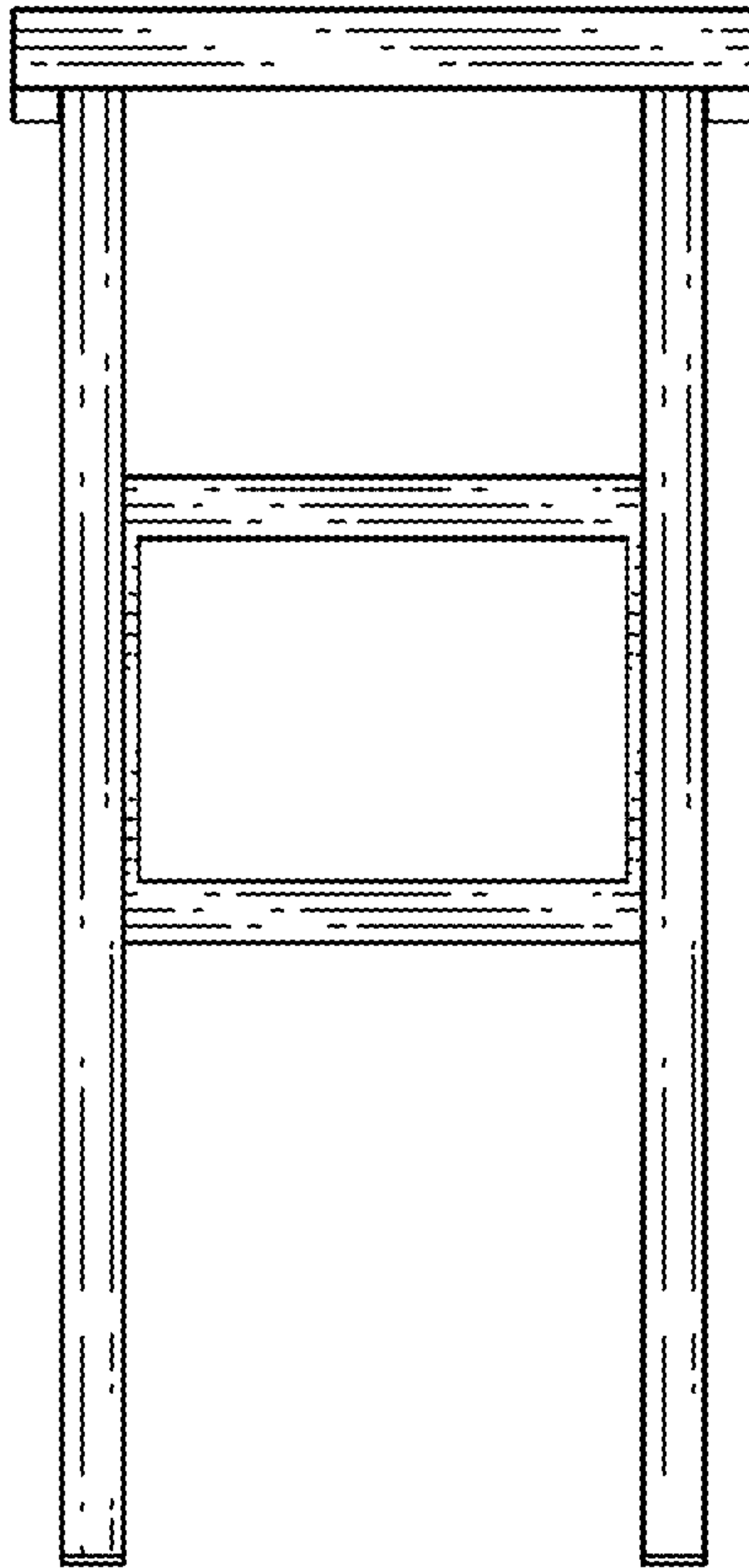


***Fig. 18***





***Fig. 19***



***Fig. 20***