



US00D699448S

(12) **United States Design Patent**
Yang et al.

(10) **Patent No.:** **US D699,448 S**

(45) **Date of Patent:** **** Feb. 18, 2014**

(54) **VANITY MIRROR**

(71) Applicant: **simplehuman, LLC**, Torrance, CA (US)

(72) Inventors: **Frank Yang**, Rancho Palos Verdes, CA (US); **Tzu-Hao Wei**, Hacienda Heights, CA (US); **Daniel Ballou**, Long Beach, CA (US)

(73) Assignee: **simplehuman, LLC**, Torrance, CA (US)

(**) Term: **14 Years**

(21) Appl. No.: **29/447,341**

(22) Filed: **Mar. 1, 2013**

(51) **LOC (10) Cl.** **06-07**

(52) **U.S. Cl.**
USPC **D6/309**

(58) **Field of Classification Search**
USPC D6/300-314, 444; D8/352; 359/879;
40/735, 738, 597, 744, 745, 754, 765,
40/768, 769, 790, 798; D20/29-32, 42;
248/466-467; D11/131, 133-135;
D13/180; D16/135; D12/187
See application file for complete search history.

(56) **References Cited**

U.S. PATENT DOCUMENTS

| | | | |
|--------------|---------|---------|--------------|
| D208,234 S | 8/1967 | Ely | |
| D309,833 S | 8/1990 | Wahl | |
| D379,125 S * | 5/1997 | Simjian | D6/309 |
| D425,313 S | 5/2000 | Zadro | |
| D431,375 S | 10/2000 | Zadro | |
| 6,158,877 A | 12/2000 | Zadro | |
| 6,241,357 B1 | 6/2001 | Lee | |
| 6,305,809 B1 | 10/2001 | Zadro | |
| D509,369 S | 9/2005 | Snell | |
| D511,413 S | 11/2005 | Yue | |
| 7,090,378 B1 | 8/2006 | Zadro | |
| D532,981 S | 12/2006 | Zadro | |
| 7,341,356 B1 | 3/2008 | Zadro | |

| | | | |
|--------------|---------|------------------|---------------|
| D574,159 S | 8/2008 | Howard | |
| D635,009 S | 3/2011 | Paterson | |
| D639,077 S * | 6/2011 | DeBretton Gordon | D6/310 |
| D647,444 S * | 10/2011 | Manukyan et al. | D12/187 |
| D649,790 S | 12/2011 | Pitot | |

(Continued)

FOREIGN PATENT DOCUMENTS

| | | |
|----|-----------|--------|
| CA | 147356 | 4/2013 |
| CN | 302432849 | 5/2013 |

(Continued)

OTHER PUBLICATIONS

U.S. Appl. No. 29/415,283, filed Mar. 8, 2012, Yang, et al.

(Continued)

Primary Examiner — Cathron Brooks

Assistant Examiner — Sydney R Buffalow

(74) *Attorney, Agent, or Firm* — Knobbe, Martens, Olson & Bear, LLP

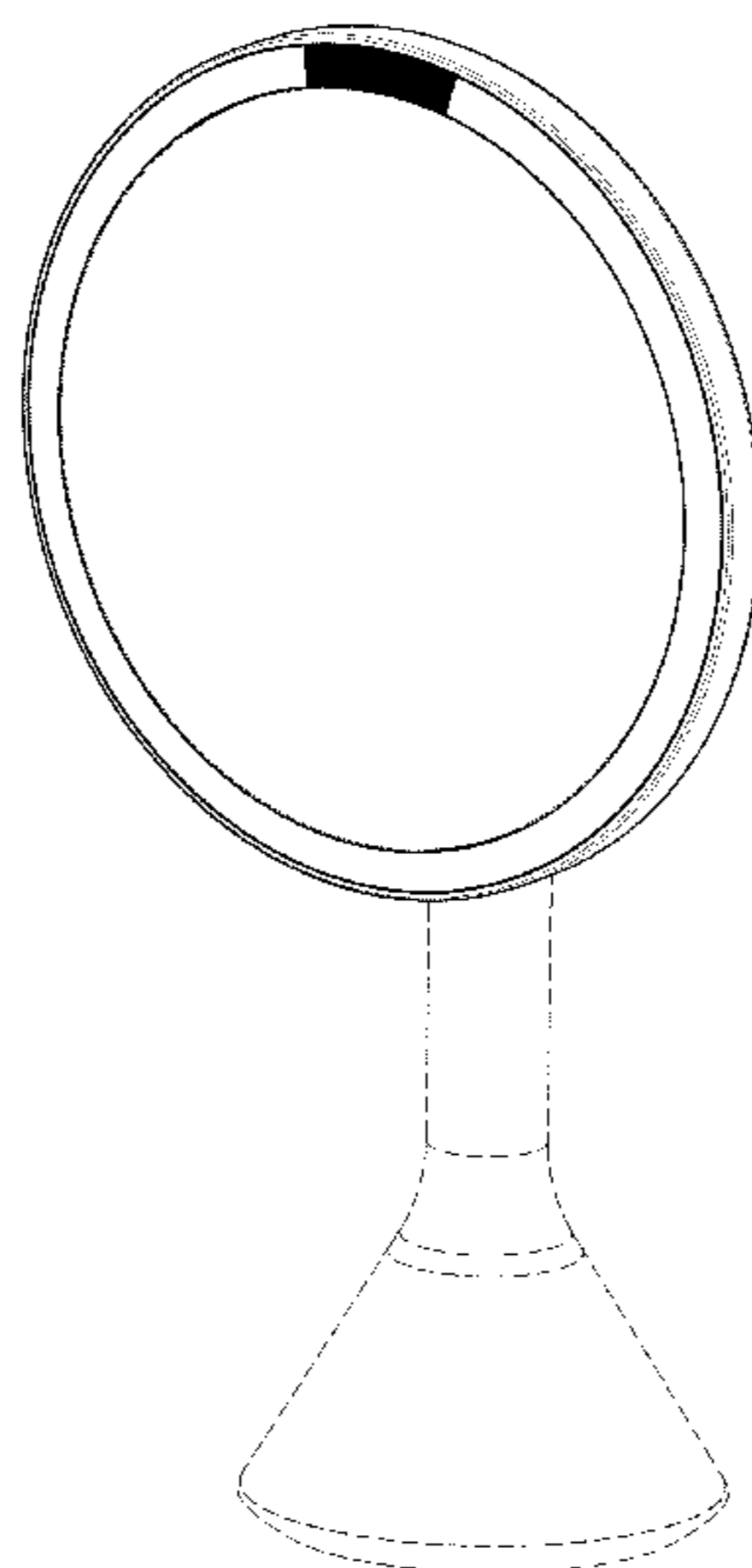
(57) **CLAIM**

The ornamental design for a vanity mirror, as shown and described.

DESCRIPTION

FIG. 1 is a top, front, left-side perspective view of a vanity mirror embodying our design;
FIG. 2 is a front elevation view thereof;
FIG. 3 is a rear elevation view thereof;
FIG. 4 is a left-side elevation view thereof;
FIG. 5 is a right-side elevation view thereof;
FIG. 6 is a top plan view thereof; and,
FIG. 7 is a bottom plan view thereof.
All features in phantom line are for the purpose of illustrating environmental structure and form no part of the claimed subject matter.

1 Claim, 6 Drawing Sheets



(56)

References Cited

U.S. PATENT DOCUMENTS

D652,220 S 1/2012 Pitot
D656,979 S * 4/2012 Yip et al. D16/135
D657,425 S * 4/2012 Podd D20/42
D657,576 S * 4/2012 Pitot D6/309
8,162,502 B1 4/2012 Zadro
D658,604 S * 5/2012 Egawa et al. D13/180
D660,367 S * 5/2012 Podd D20/42
D660,368 S * 5/2012 Podd D20/42
D660,369 S * 5/2012 Podd D20/42
D665,030 S * 8/2012 Podd D20/42
D666,010 S * 8/2012 Farley D6/309
D679,102 S * 4/2013 Gilboe et al. D6/309

2008/0298080 A1 12/2008 Wu et al.
2013/0235607 A1 9/2013 Yang et al.
2013/0235610 A1 9/2013 Yang et al.

FOREIGN PATENT DOCUMENTS

DE 102004042929 A1 3/2006
DE 202010000170 U1 7/2010
EP 2636336 A1 9/2013

OTHER PUBLICATIONS

U.S. Appl. No. 13/783,109, filed Mar. 1, 2013, Yang, et al.
U.S. Appl. No. 13/783,087, filed Mar. 1, 2013, Yang, et al.
U.S. Appl. No. 29/447,287, filed Mar. 1, 2013, Yang, et al.

* cited by examiner

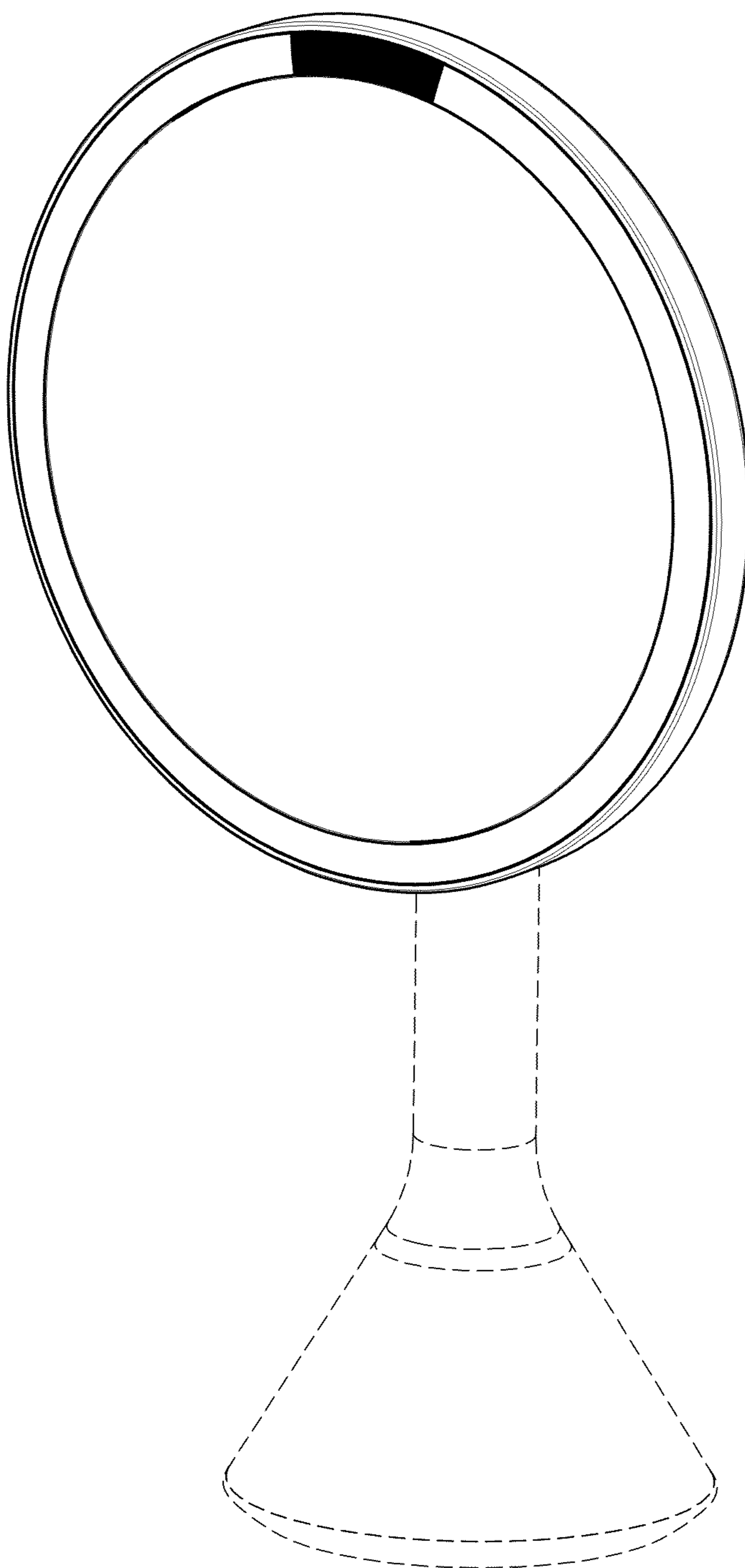


FIG. 1

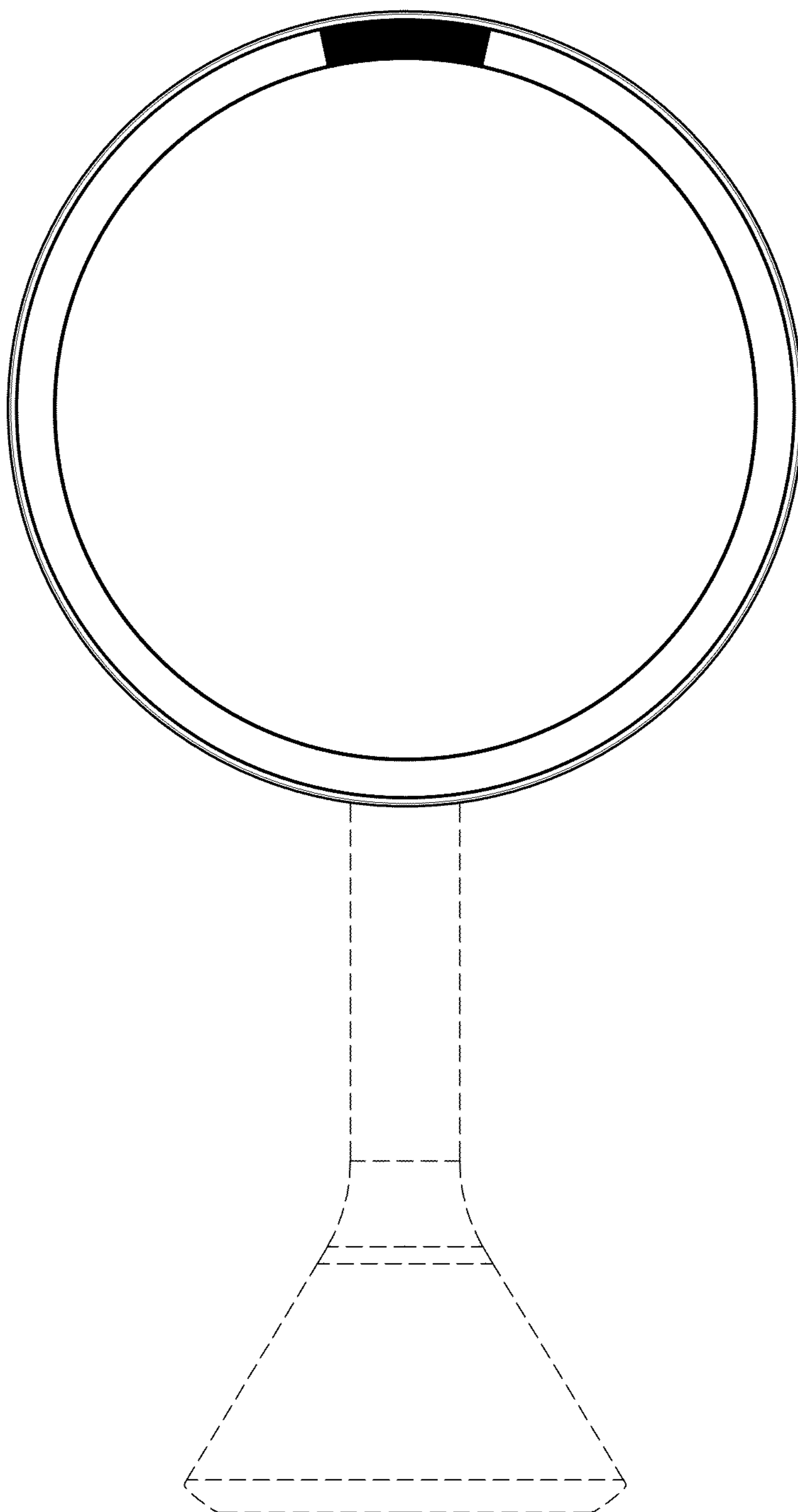


FIG. 2

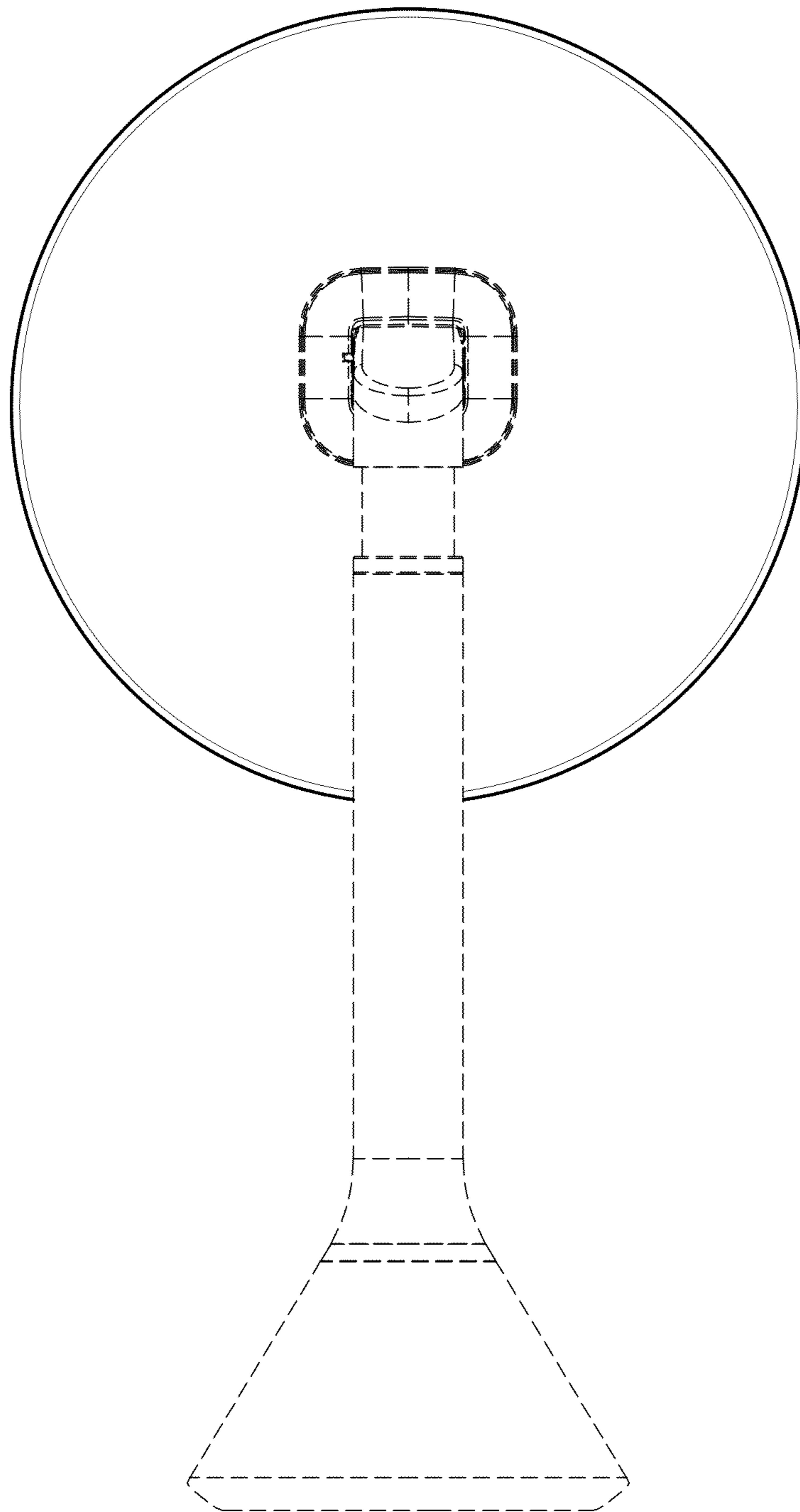


FIG. 3

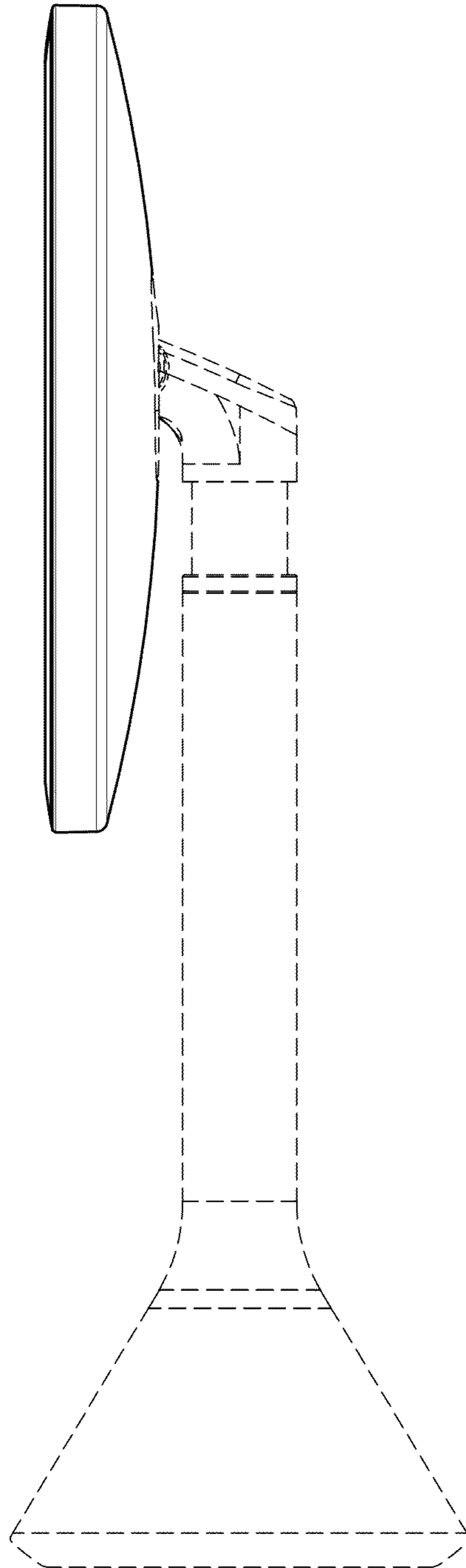


FIG. 4

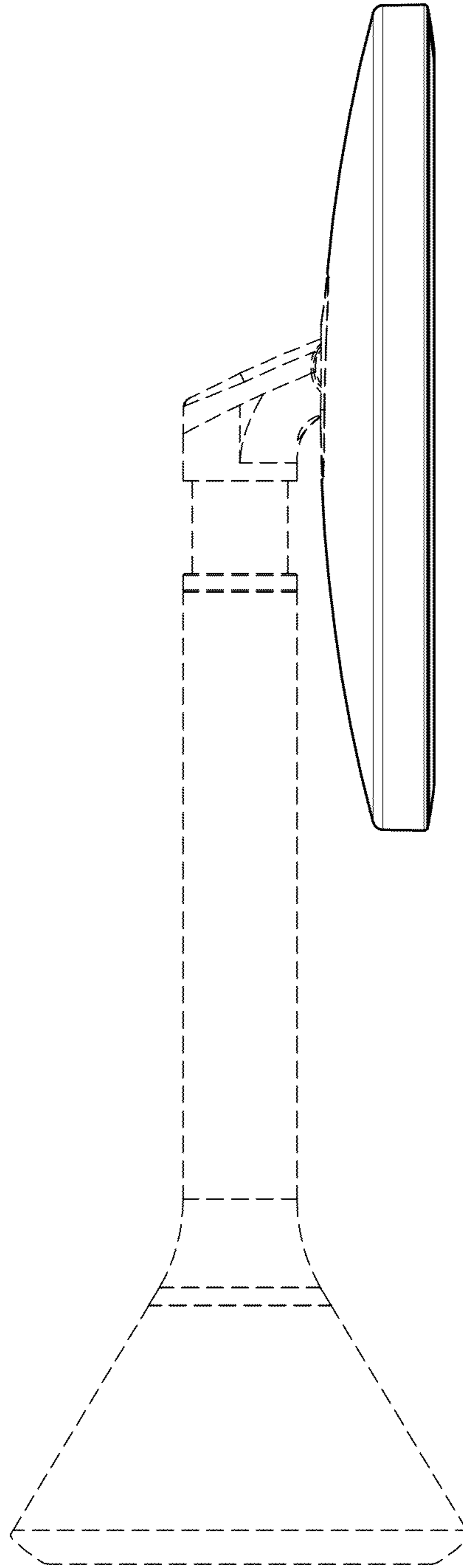


FIG. 5

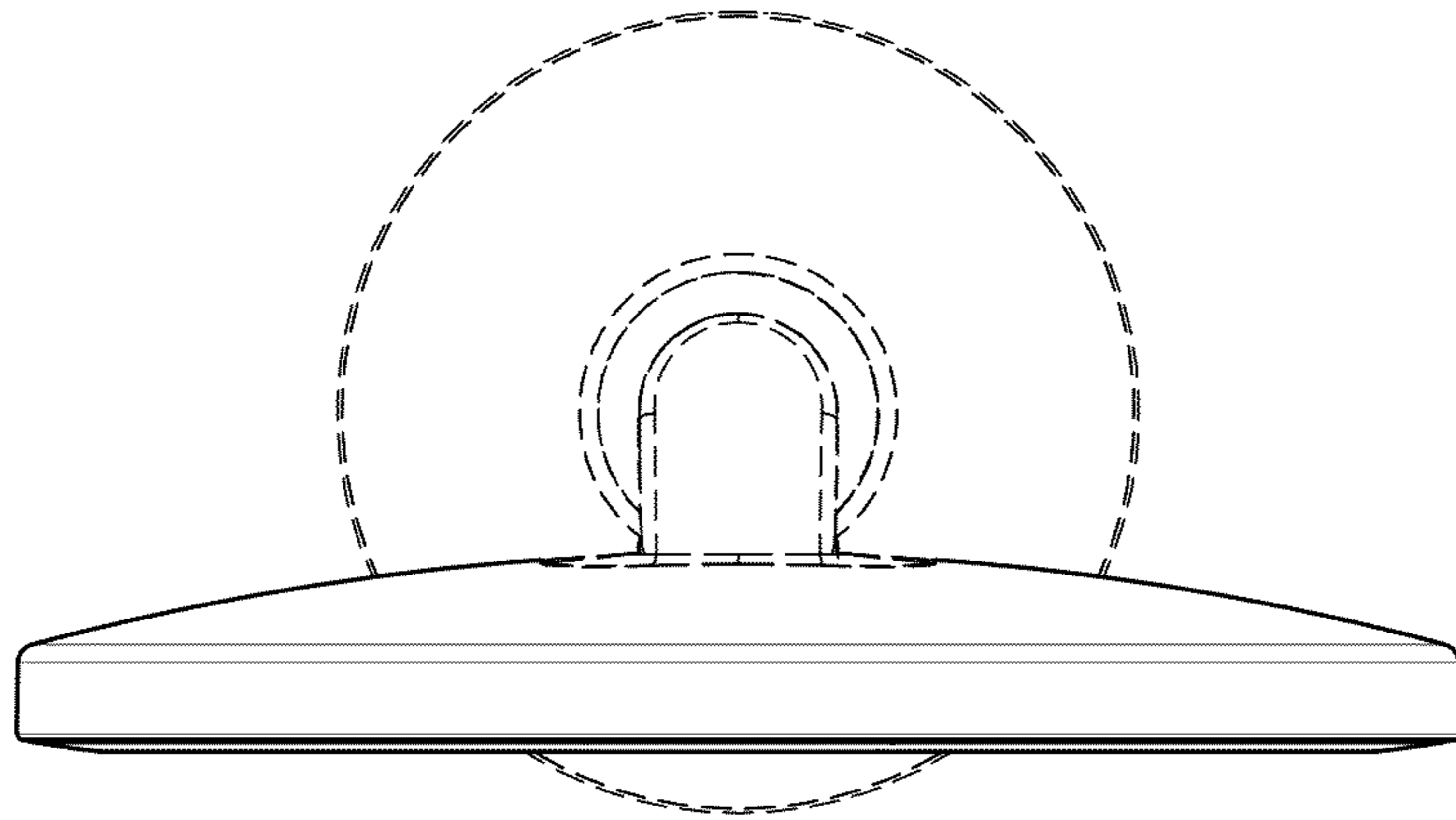


FIG. 6

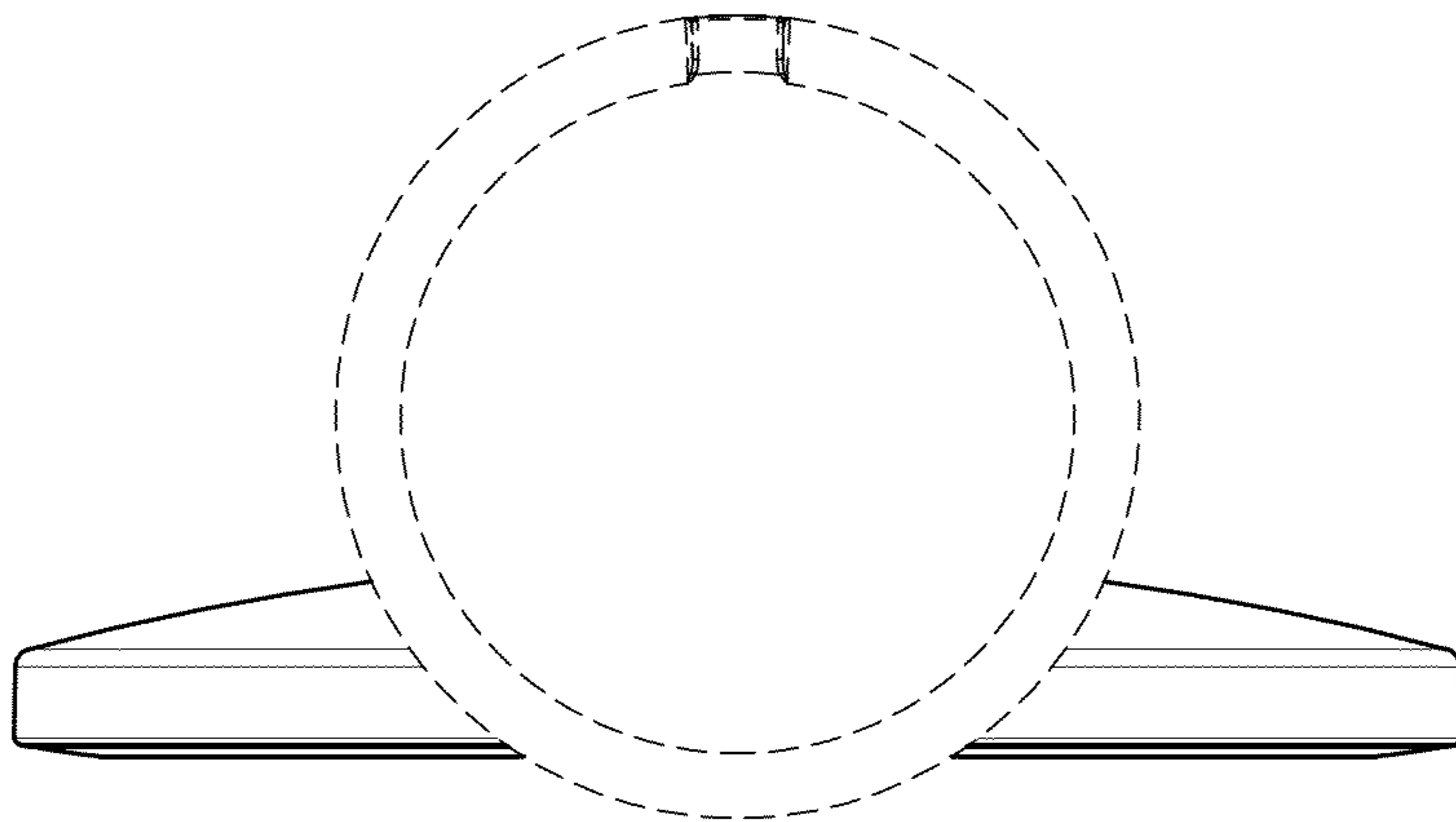


FIG. 7