



US00D699447S

(12) **United States Design Patent**  
**Pirayesh et al.**

(10) **Patent No.:** **US D699,447 S**

(45) **Date of Patent:** **\*\* Feb. 18, 2014**

(54) **ART DISPLAY REINFORCING MEMBERS**

FOREIGN PATENT DOCUMENTS

(75) Inventors: **Francois K Pirayesh**, San Diego, CA (US); **Xiaoqi Zhou**, San Diego, CA (US)

DE 37012193 4/1988  
GB 589621 6/1947

(Continued)

(73) Assignee: **Hewlett-Packard Development Company, L.P.**, Houston, TX (US)

OTHER PUBLICATIONS

(\*\*) Term: **14 Years**

Yang, H., "Fundamentals, Preparation, and Characterization of Superhydrophobic Wood Fiber Products", Thesis, 2008, Georgia Institute of Technology, 95 pages.

(21) Appl. No.: **29/409,238**

*Primary Examiner* — Cathron Brooks  
*Assistant Examiner* — Sydney Buffalow

(22) Filed: **Dec. 21, 2011**

(57) **CLAIM**

(51) **LOC (10) Cl.** ..... **06-07**

The ornamental design for an art display reinforcing member, as shown and described.

(52) **U.S. Cl.**

**DESCRIPTION**

USPC ..... **D6/300**

(58) **Field of Classification Search**

USPC ..... D6/300-314, 444, 432, 568; 40/700, 40/702, 714, 717, 721, 727, 738, 739, 742, 40/745, 746, 747, 768, 777, 778, 779, 782, 40/784, 790, 791; 312/204; D11/131

See application file for complete search history.

FIG. 1 is an exploded isometric view of an art display reinforcing member (with one of the longitudinal flaps thereof being shown, for clarity, angularly offset from the transverse flaps) including release liners along the sides, and an art display that is to receive the art display reinforcing member; FIG. 2 is a top view of the art display reinforcing member in position within the art display, with all flaps shown flat against the art display;

(56) **References Cited**

U.S. PATENT DOCUMENTS

262,148	A *	8/1882	Stuart	52/656.7
1,012,267	A *	12/1911	Motz	242/222
1,588,271	A *	6/1926	Saint et al.	220/23.2
2,085,097	A	6/1937	Hansen	
2,127,078	A *	8/1938	Zwicker	40/757
2,146,318	A	2/1939	Viscount	
RE22,683	E	10/1945	Piper	
2,764,314	A *	9/1956	Mautner	220/668
2,851,208	A	9/1958	Samsing	
3,053,001	A	9/1962	Allen	
3,214,855	A	11/1965	Winkler et al.	
3,240,130	A	3/1966	Neff	
3,733,809	A	5/1973	Reiter et al.	

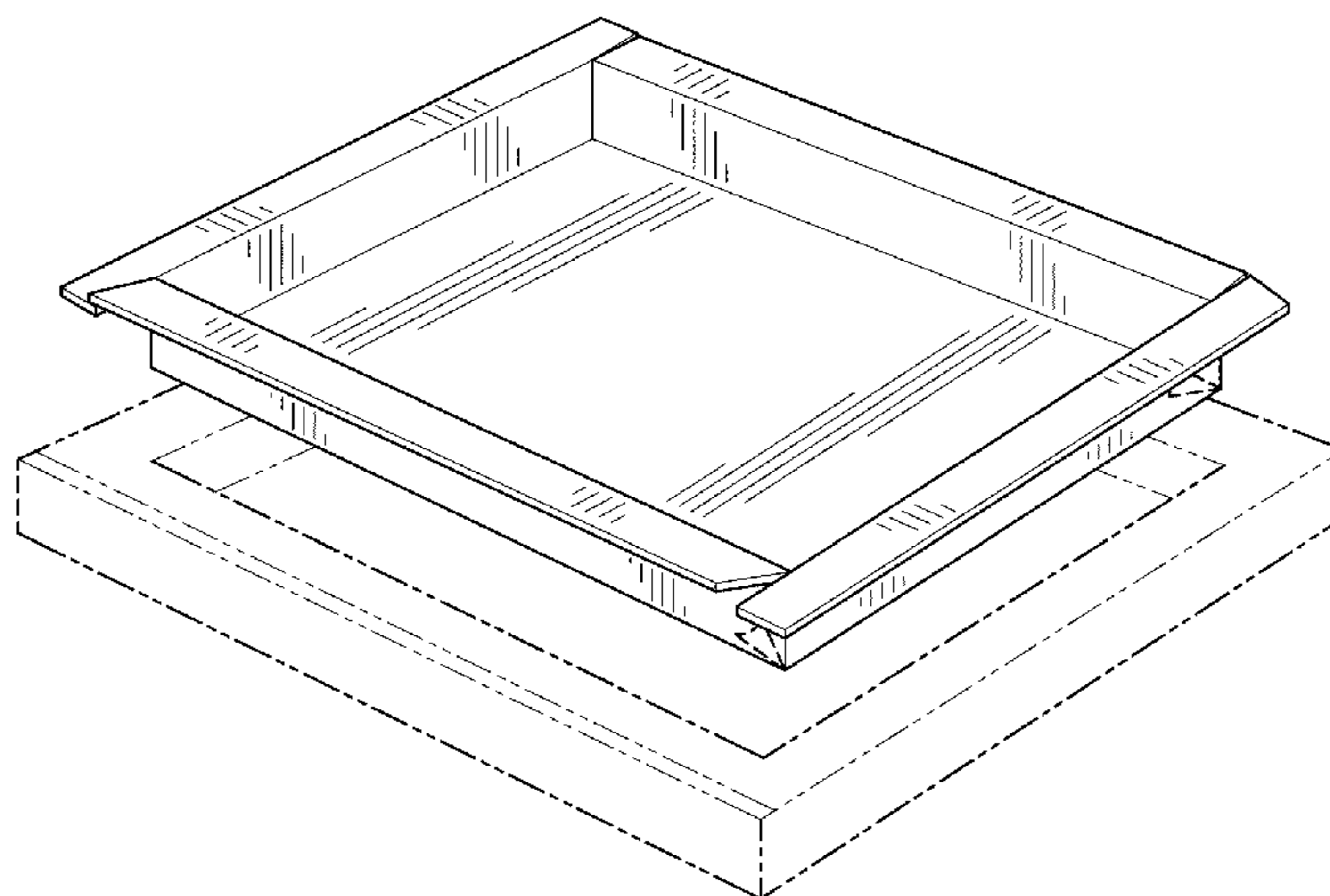
(Continued)

FIG. 3 is a front view of the art display reinforcing member shown in FIG. 2, which is a mirror image of the back view (not shown); FIG. 4 is a left side view of the art display reinforcing member shown in FIG. 2, which is a mirror image of the right side view (not shown); and,

FIG. 5 is a bottom view of the art display reinforcing member shown in FIG. 2.

The even-broken lines in FIG. 1 illustrate release liners that are removable from the art display reinforcing member and form no part of the claimed design. The dot-dash-dot lines illustrate an art display that is to receive the art display reinforcing member and form no part of the claimed design.

**1 Claim, 2 Drawing Sheets**



(56)

References Cited

U.S. PATENT DOCUMENTS

3,863,832 A \* 2/1975 Gordon et al. .... 229/125.35  
 3,917,155 A \* 11/1975 Bemiss ..... 229/169  
 4,112,604 A 9/1978 Ott et al.  
 4,265,390 A \* 5/1981 Faller et al. .... 229/169  
 4,279,087 A 7/1981 Crawford  
 4,738,041 A 4/1988 Drucek, Jr.  
 D300,285 S \* 3/1989 Karklins ..... D6/300  
 4,870,766 A 10/1989 Topping  
 5,032,436 A 7/1991 Gustafson  
 5,255,458 A 10/1993 Piel  
 5,359,794 A 11/1994 Wood  
 5,402,931 A \* 4/1995 Gulliver et al. .... 229/186  
 5,433,374 A \* 7/1995 Forbes, Jr. .... 229/125.35  
 D363,192 S \* 10/1995 Reeves et al. .... D7/553.3  
 5,513,455 A 5/1996 Walker  
 5,603,585 A \* 2/1997 Bruchu et al. .... 403/382  
 5,678,339 A 10/1997 Marventano  
 5,679,145 A 10/1997 Andersen et al.  
 5,683,772 A 11/1997 Andersen et al.  
 RE36,158 E \* 3/1999 Forbes, Jr. .... 229/125.35  
 5,947,437 A 9/1999 Tate et al.  
 5,950,341 A 9/1999 Cross  
 5,974,714 A 11/1999 Jones  
 6,177,516 B1 1/2001 Hudak  
 6,237,843 B1 \* 5/2001 Falat et al. .... 229/125.35  
 6,265,037 B1 7/2001 Godavarti et al.  
 6,273,610 B1 \* 8/2001 Koyama et al. .... 383/207  
 6,427,371 B2 8/2002 Olson et al.  
 6,475,713 B1 11/2002 Aylward et al.  
 6,541,852 B2 4/2003 Beroz et al.

6,649,245 B2 11/2003 Lenderink  
 D489,575 S \* 5/2004 De Neubourg ..... D7/554.3  
 D493,670 S \* 8/2004 De Neubourg ..... D7/554.3  
 6,883,908 B2 4/2005 Young et al.  
 D541,563 S \* 5/2007 LaBonia et al. .... D6/511  
 D603,197 S \* 11/2009 Hrovat ..... D6/510  
 7,818,904 B2 10/2010 Wagner  
 D628,814 S \* 12/2010 Dugas ..... D6/300  
 7,851,391 B2 12/2010 Bond et al.  
 7,918,047 B1 4/2011 Ngan  
 D664,814 S \* 8/2012 Lepore ..... D7/672  
 D667,305 S \* 9/2012 Kuhn et al. .... D9/456  
 2002/0144445 A1 10/2002 Gomez del Campo Diaz Barrerio  
 2003/0129361 A1 7/2003 Plug et al.  
 2004/0159031 A1 8/2004 Chang  
 2006/0189236 A1 8/2006 Davis et al.  
 2009/0229157 A1 9/2009 Mehler  
 2010/0196603 A1 8/2010 Ohshima et al.  
 2011/0016759 A1 1/2011 Ramos-Gonzalez et al.  
 2011/0088294 A1 4/2011 Docking

FOREIGN PATENT DOCUMENTS

GB	726212	3/1955
GB	1040995	9/1966
GB	1439323	6/1976
GB	2104378	3/1983
GB	2220854	1/1990
GB	2296866	7/1996
GB	2376916	12/2002
GB	2461863	1/2010

\* cited by examiner

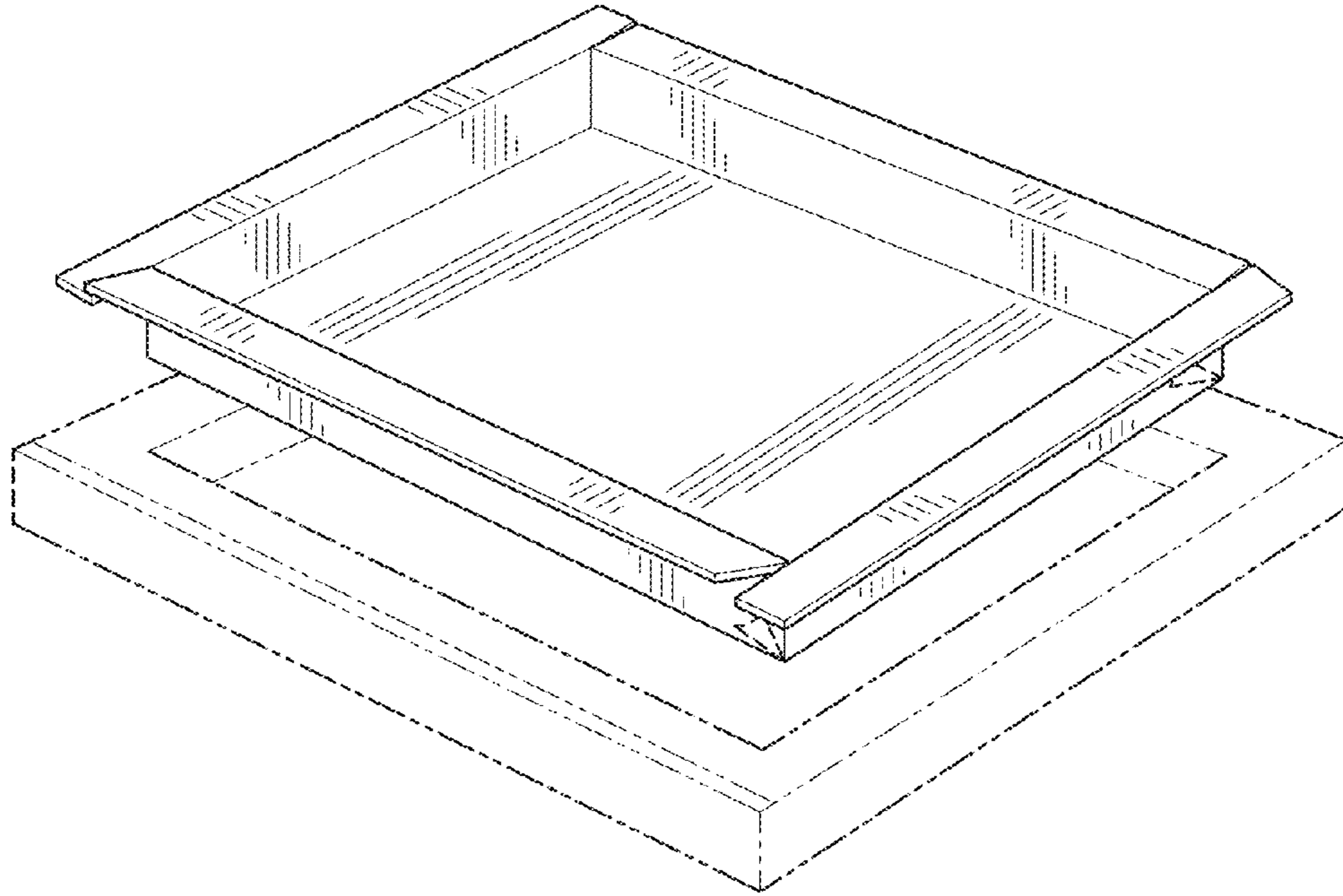


FIG. 1

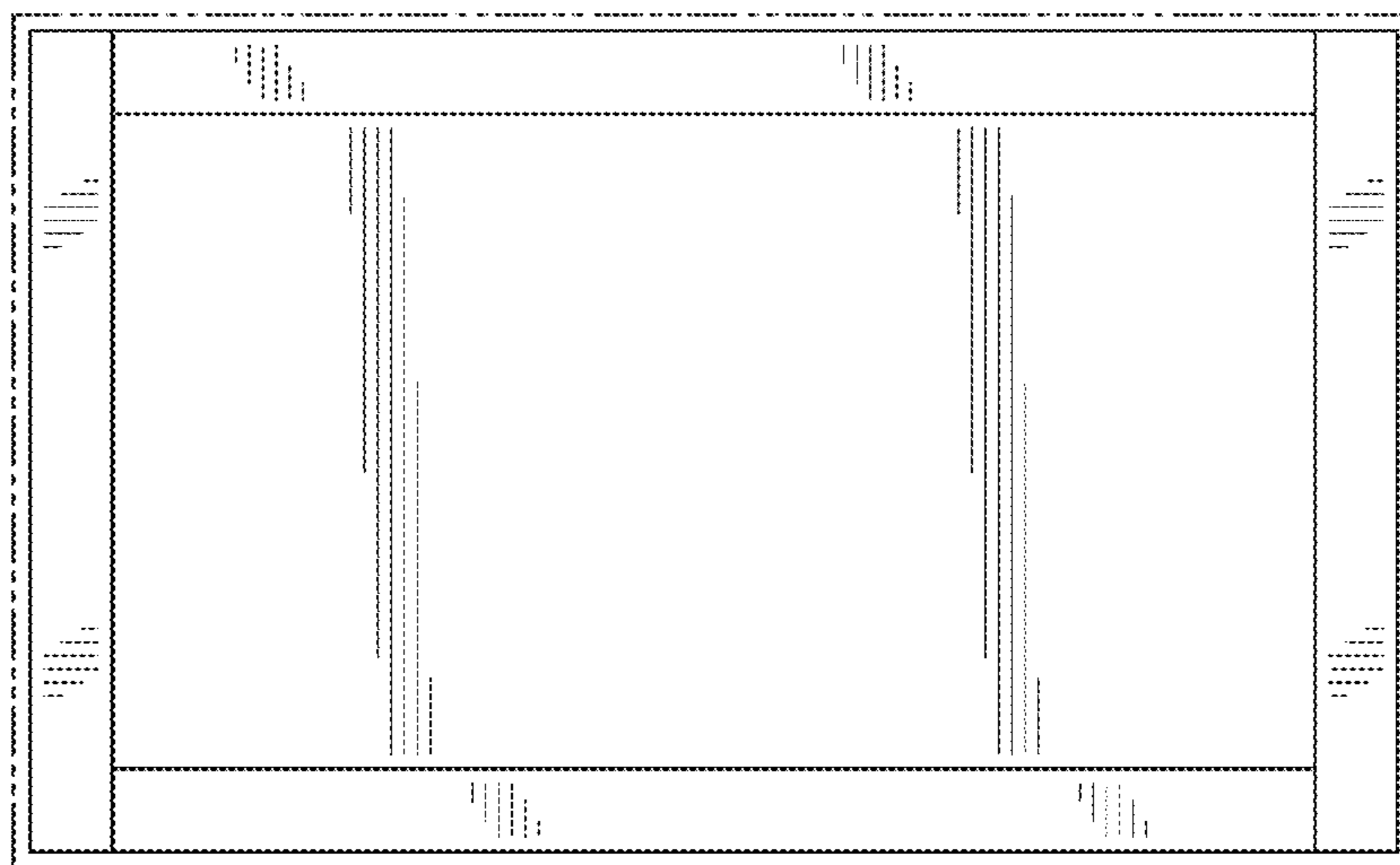


FIG. 2



FIG. 3

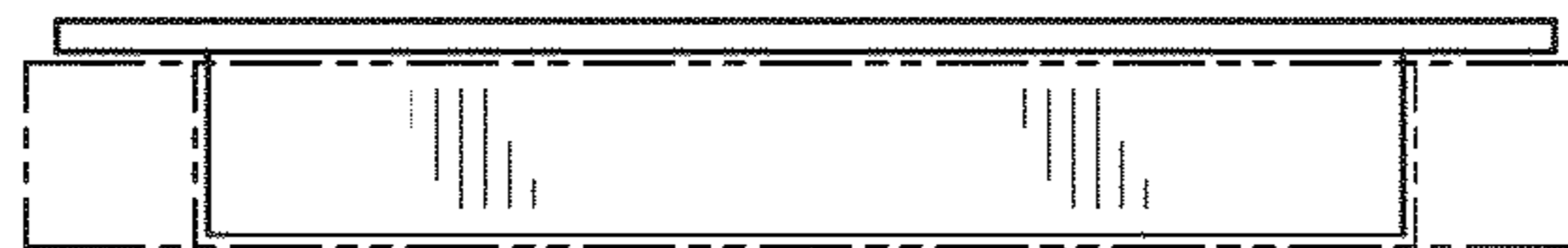


FIG. 4

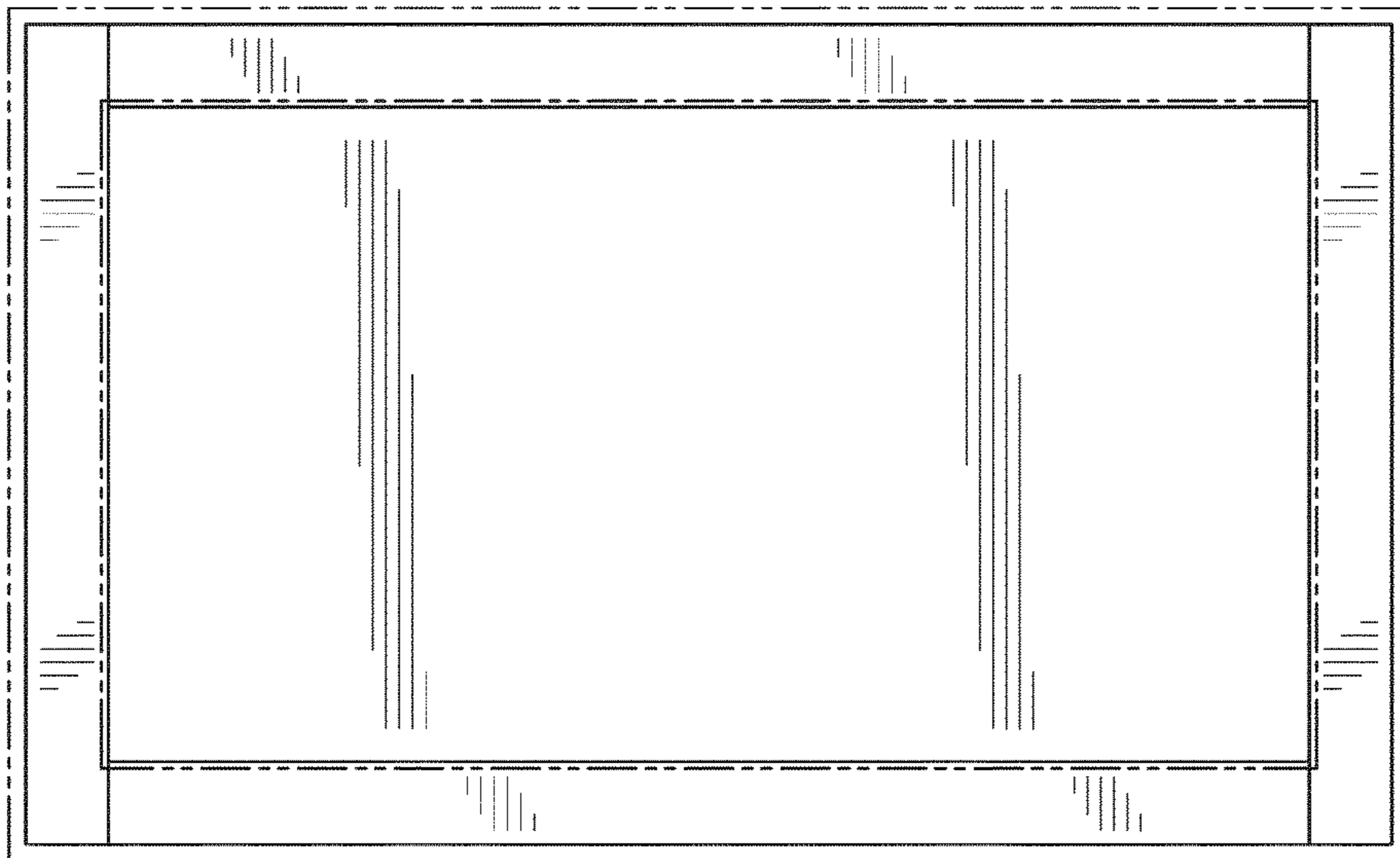


FIG. 5