



US00D699438S

(12) **United States Design Patent**
Mathieu et al.

(10) **Patent No.:** **US D699,438 S**
(45) **Date of Patent:** **** Feb. 18, 2014**

- (54) **TELESCOPING HANDLE**
- (71) Applicant: **Travelpro International Inc.**, Boca Raton, FL (US)
- (72) Inventors: **David L. Mathieu**, Colchester, CT (US);
Sean McDonnell, Burlington, CT (US);
Joseph Paul, Thomaston, CT (US);
James T. Sener, Glastonbury, CT (US)
- (73) Assignee: **Travelpro International Inc.**, Boca Raton, FL (US)
- (**) Term: **14 Years**
- (21) Appl. No.: **29/464,766**
- (22) Filed: **Aug. 21, 2013**

5,339,934 A 8/1994 Liang
 5,377,795 A 1/1995 Berman
 5,397,151 A 3/1995 Jserng
 5,469,945 A 11/1995 Jserng

(Continued)

FOREIGN PATENT DOCUMENTS

EP 0 517 803 B1 10/1996
 EP 2 255 712 A2 12/2010
 WO WO 88/06416 A1 9/1988

OTHER PUBLICATIONS

International Search Report and Written Opinion, International Application No. PCT/US2012/055970, International Filing Date Sep. 19, 2012, Mailing Date Jan. 24, 2013, 13 pages.

Primary Examiner — Holly Baynham

(74) *Attorney, Agent, or Firm* — Reising Ethington P.C.

(57) **CLAIM**

What is claimed is the ornamental design for a telescoping handle, as shown and described.

DESCRIPTION

FIG. 1 is a perspective view of a handle, according to an embodiment of the present design;
 FIG. 2 is another perspective view of the handle of FIG. 1;
 FIG. 3 is a front elevation view of the handle of FIG. 1;
 FIG. 4 is a rear elevation view of the handle of FIG. 1;
 FIG. 5 is a first side elevation view of the handle of FIG. 1;
 FIG. 6 is a second side elevation view of the handle of FIG. 1;
 FIG. 7 is a top plan view of the handle of FIG. 1; and,
 FIG. 8 is a bottom plan view of the handle of FIG. 1.
 The broken lines showing portions of the handle are for the purposes of illustrating environment and form no part of the claimed design.

1 Claim, 8 Drawing Sheets

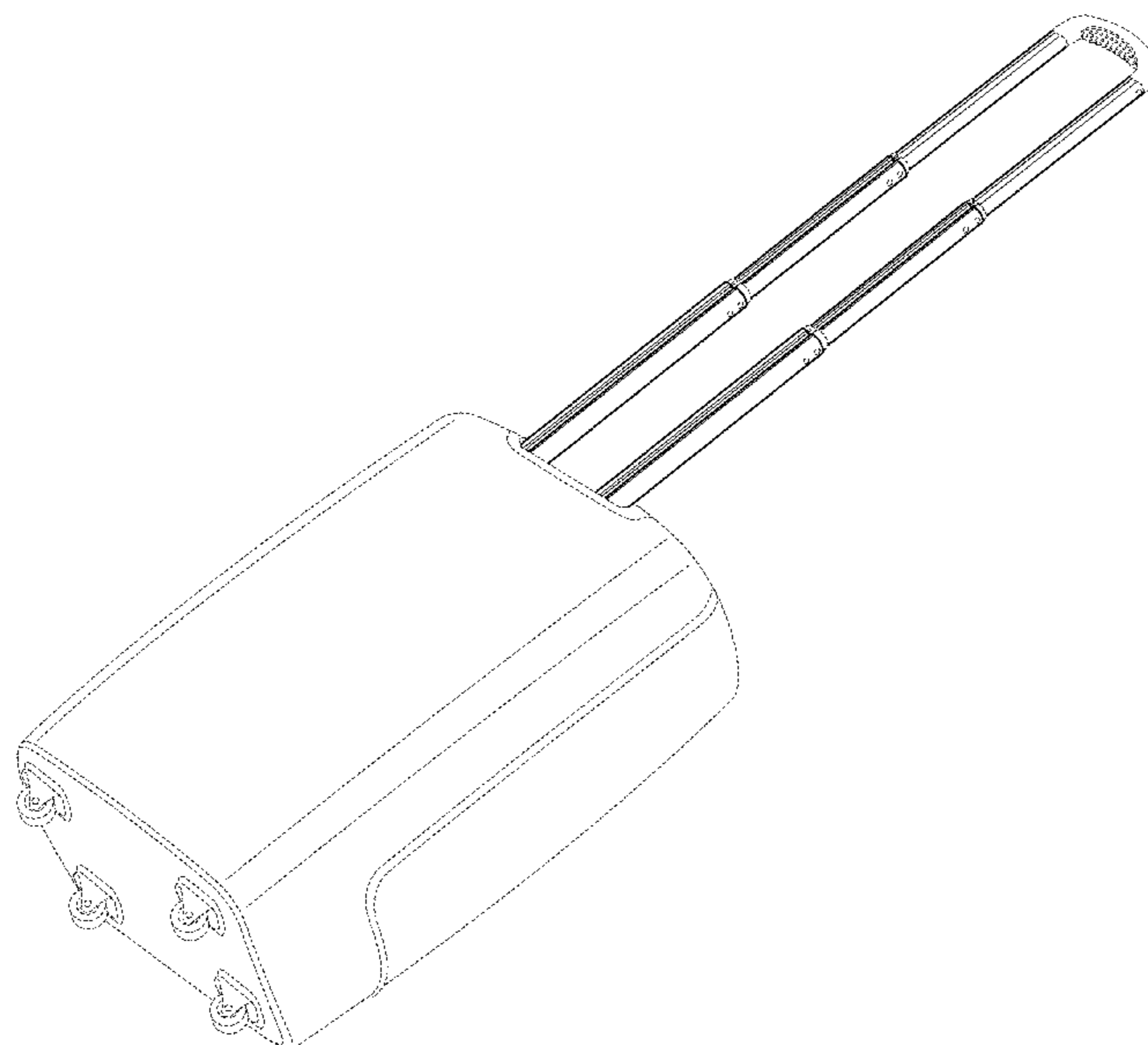
Related U.S. Application Data

- (63) Continuation of application No. 13/236,106, filed on Sep. 19, 2011.
- (51) **LOC (10) Cl.** **03-01**
- (52) **U.S. Cl.**
USPC **D3/318**
- (58) **Field of Classification Search**
USPC D3/318; 190/110–116
See application file for complete search history.

(56) **References Cited**

U.S. PATENT DOCUMENTS

3,730,308 A 5/1973 Pelavin
 4,364,150 A 12/1982 Remington
 4,838,396 A 6/1989 Krenzel
 4,928,800 A 5/1990 Green et al.
 5,048,649 A 9/1991 Carpenter et al.



(56)

References Cited

U.S. PATENT DOCUMENTS

5,500,981 A	3/1996	Ho	6,464,245 B1	10/2002	Miles	
5,547,053 A	8/1996	Liang	6,575,274 B1 *	6/2003	Huang	190/115
5,586,628 A	12/1996	Wang	6,701,578 B1	3/2004	Lu	
5,615,757 A	4/1997	Chen	6,857,511 B2	2/2005	Lin et al.	
5,781,964 A	7/1998	Lin et al.	6,869,086 B2	3/2005	Sadow	
5,865,281 A	2/1999	Wang	6,874,604 B2 *	4/2005	Miller et al.	190/39
5,868,406 A	2/1999	Sadow	D505,789 S *	6/2005	Nykoluk	D3/318
5,926,915 A	7/1999	Chou	6,934,997 B2	8/2005	Lau	
5,943,936 A	8/1999	Deliman et al.	7,120,966 B2	10/2006	Chou	
6,098,768 A *	8/2000	Tsai	7,143,912 B2 *	12/2006	Caneba	224/153
6,109,403 A *	8/2000	Godshaw	7,270,223 B2	9/2007	Miller	
6,129,365 A	10/2000	Sadow	7,438,308 B2	10/2008	Kim et al.	
6,176,357 B1 *	1/2001	Kuo	7,461,730 B2	12/2008	Costa et al.	
6,223,391 B1	5/2001	Kuo	D663,526 S *	7/2012	Wu et al.	D3/318
6,357,080 B1 *	3/2002	Tsai	8,272,100 B2	9/2012	Scicluna	
			8,359,708 B2	1/2013	Scicluna	
			2006/0102435 A1	5/2006	Chiang	

* cited by examiner

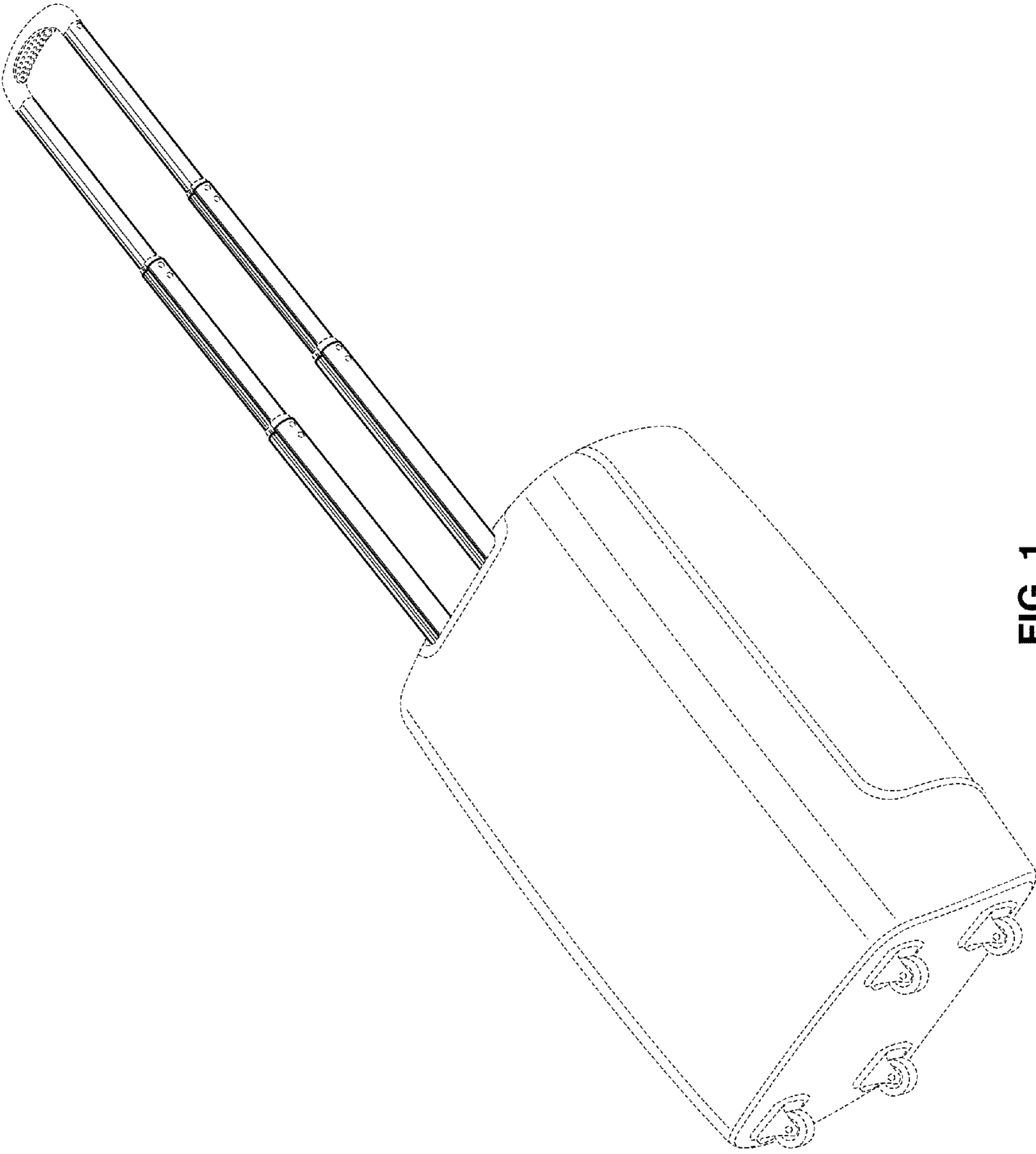


FIG. 1

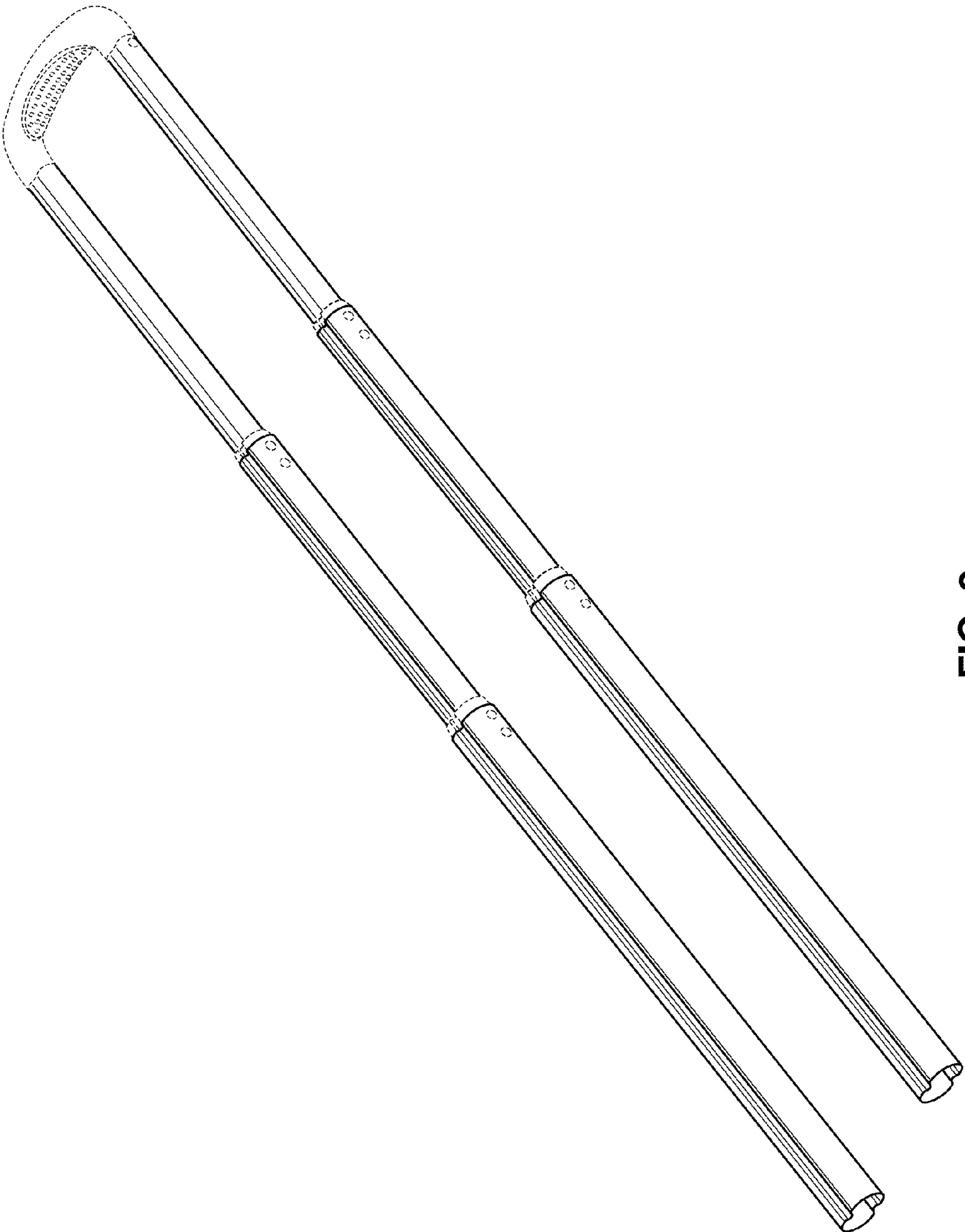


FIG. 2

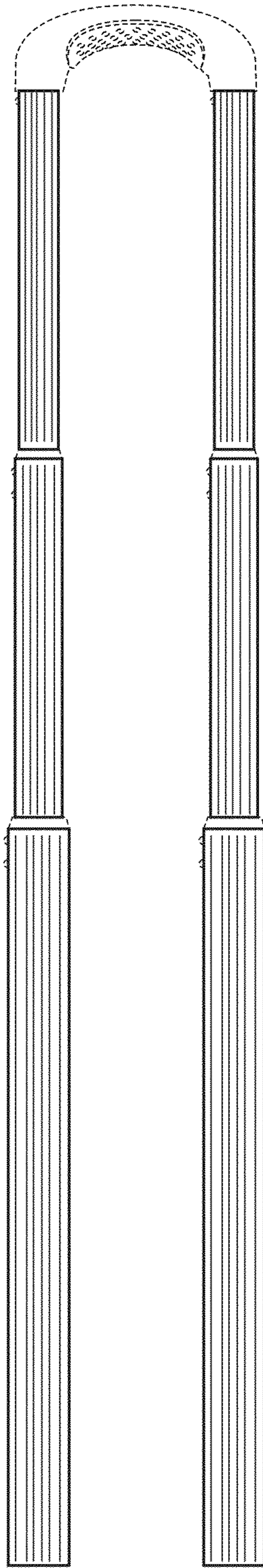


FIG. 3

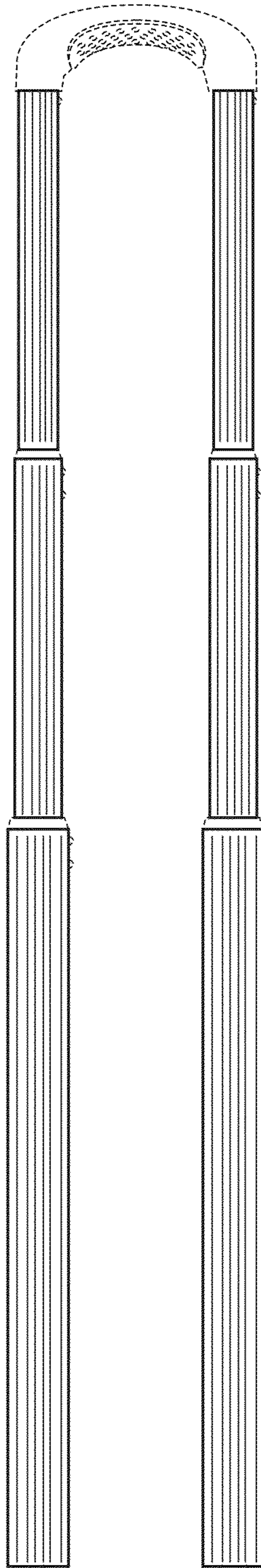


FIG. 4

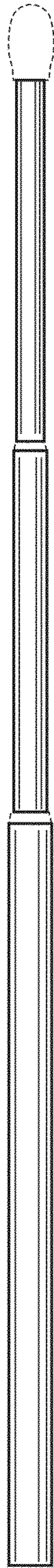


FIG. 5



FIG. 6



FIG. 7

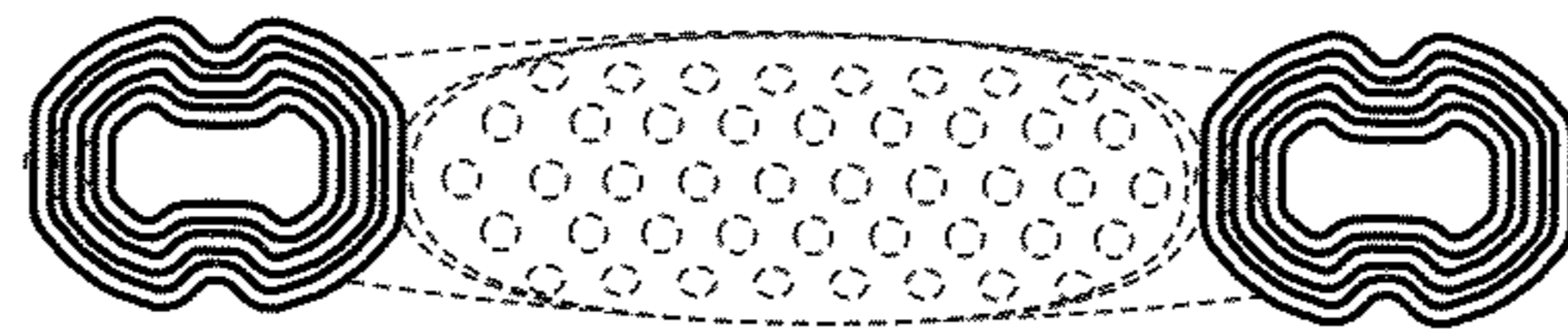


FIG. 8