



US00D699437S

(12) **United States Design Patent**  
**Del Solar et al.**

(10) **Patent No.:** **US D699,437 S**

(45) **Date of Patent:** **\*\* Feb. 18, 2014**

- (54) **CADDY**
- (71) Applicant: **Playtex Products, Inc**, Shelton, CT (US)
- (72) Inventors: **Maria Alexandra Del Solar**, Stamford, CT (US); **Marisol Rodriguez**, Brooklyn, NY (US)
- (73) Assignee: **Eveready Battery Company, Inc.**, St. Louis, MO (US)
- (\*\*) Term: **14 Years**
- (21) Appl. No.: **29/439,725**
- (22) Filed: **Dec. 14, 2012**
- (51) **LOC (10) Cl.** ..... **03-02**
- (52) **U.S. Cl.**  
USPC ..... **D3/315**
- (58) **Field of Classification Search**  
USPC ..... D3/204, 218, 226, 230, 232, 243, 245, D3/246, 247, 249, 272, 273, 275, 276, D3/283-285, 289, 290, 299, 303, 315, D3/294-296, 903; 206/6.1, 235, 457, 349, 206/373, 5, 38, 380, 579, 581; 224/607, 224/682; D6/632  
See application file for complete search history.

D530,917 S *	10/2006	Conforti	.....	D3/299
D553,362 S *	10/2007	Godshaw et al.	.....	D3/310
7,311,200 B2 *	12/2007	Godshaw et al.	.....	206/373
7,314,133 B2 *	1/2008	Redzisz	.....	206/373
7,331,454 B2 *	2/2008	Godshaw et al.	.....	206/373
D627,168 S *	11/2010	Cooney	.....	D3/304
D664,357 S *	7/2012	Kinsky et al.	.....	D3/315

\* cited by examiner

*Primary Examiner* — Ian Simmons

*Assistant Examiner* — Charles Hanson

(74) *Attorney, Agent, or Firm* — Playtex Products, LLC

(57) **CLAIM**

The ornamental design for a caddy, as shown and described.

**DESCRIPTION**

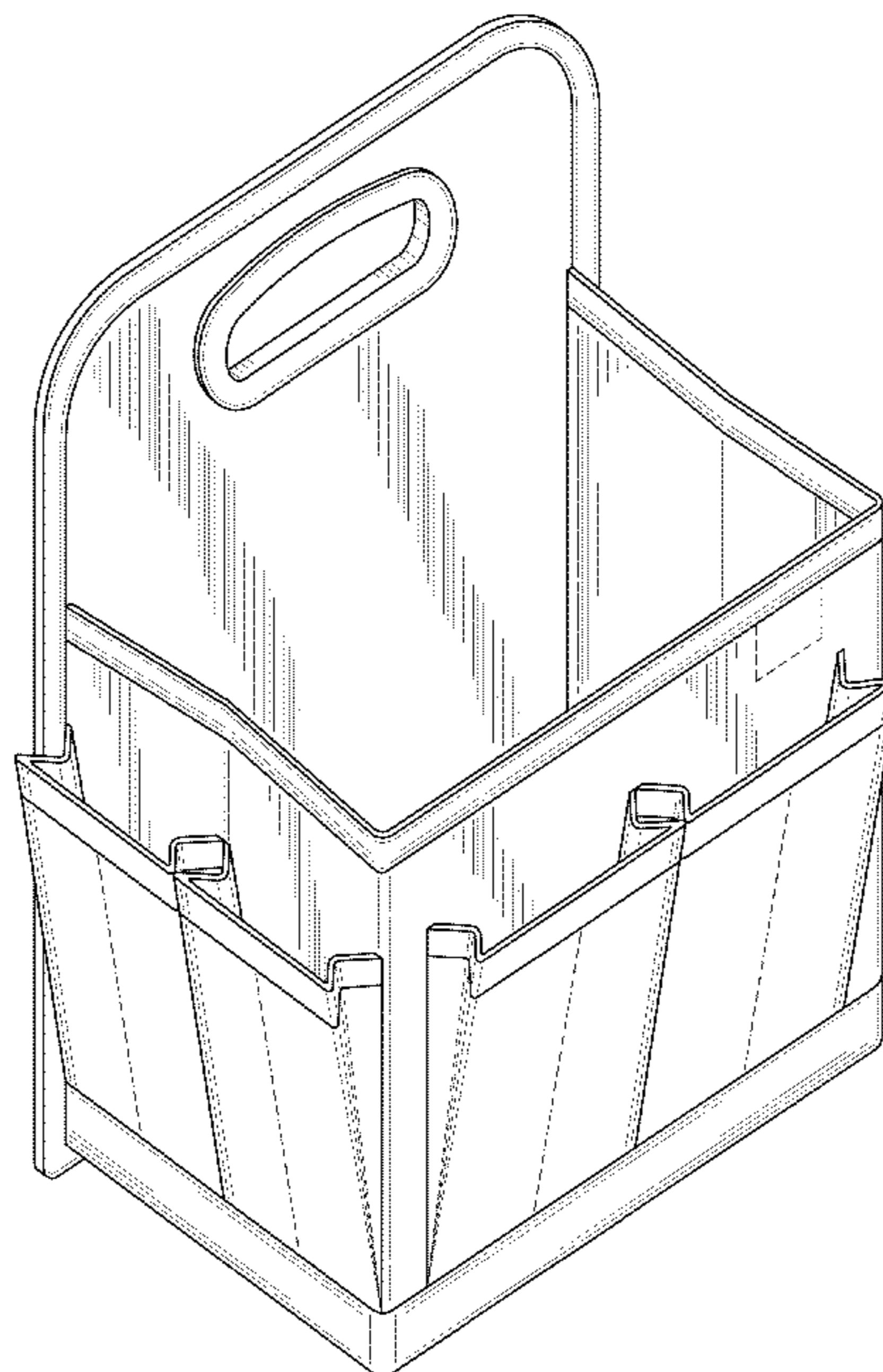
FIG. 1 is an upper front perspective view of a caddy in an in-use configuration.  
 FIG. 2 is an upper back perspective view thereof in an in-use configuration.  
 FIG. 3 is a front view thereof.  
 FIG. 4 is a back view of FIG. 3.  
 FIG. 5 is a left side view of FIG. 3.  
 FIG. 6 is a right side view of FIG. 3.  
 FIG. 7 is a top view thereof.  
 FIG. 8 is a bottom view thereof.  
 FIG. 9 is an upper front perspective view thereof in a storage configuration; and,  
 FIG. 10 is an upper front perspective view thereof in an in-use configuration.  
 The broken lines in the figures depict environmental subject matter only and form no part of the claimed design.

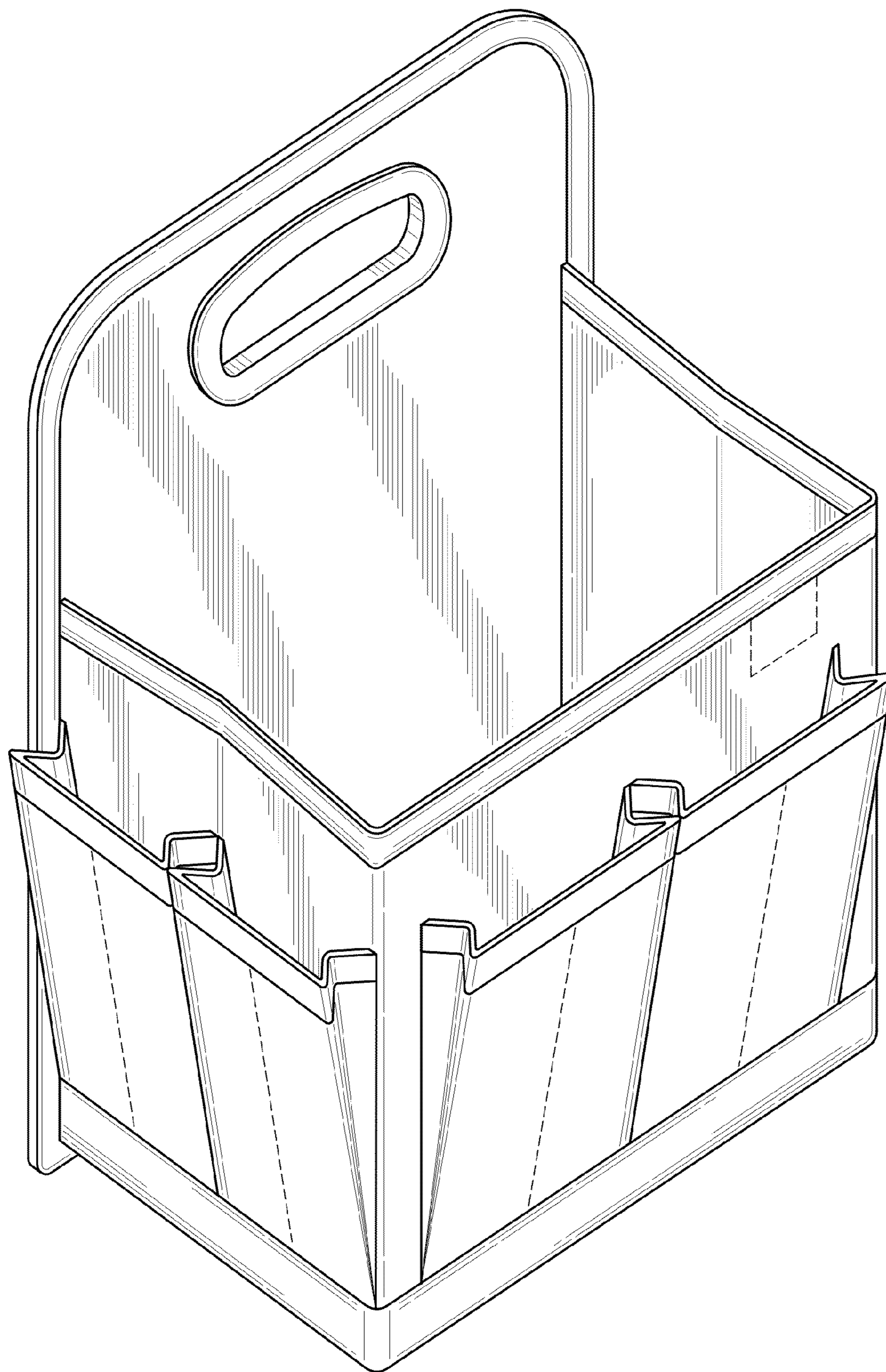
**1 Claim, 8 Drawing Sheets**

(56) **References Cited**

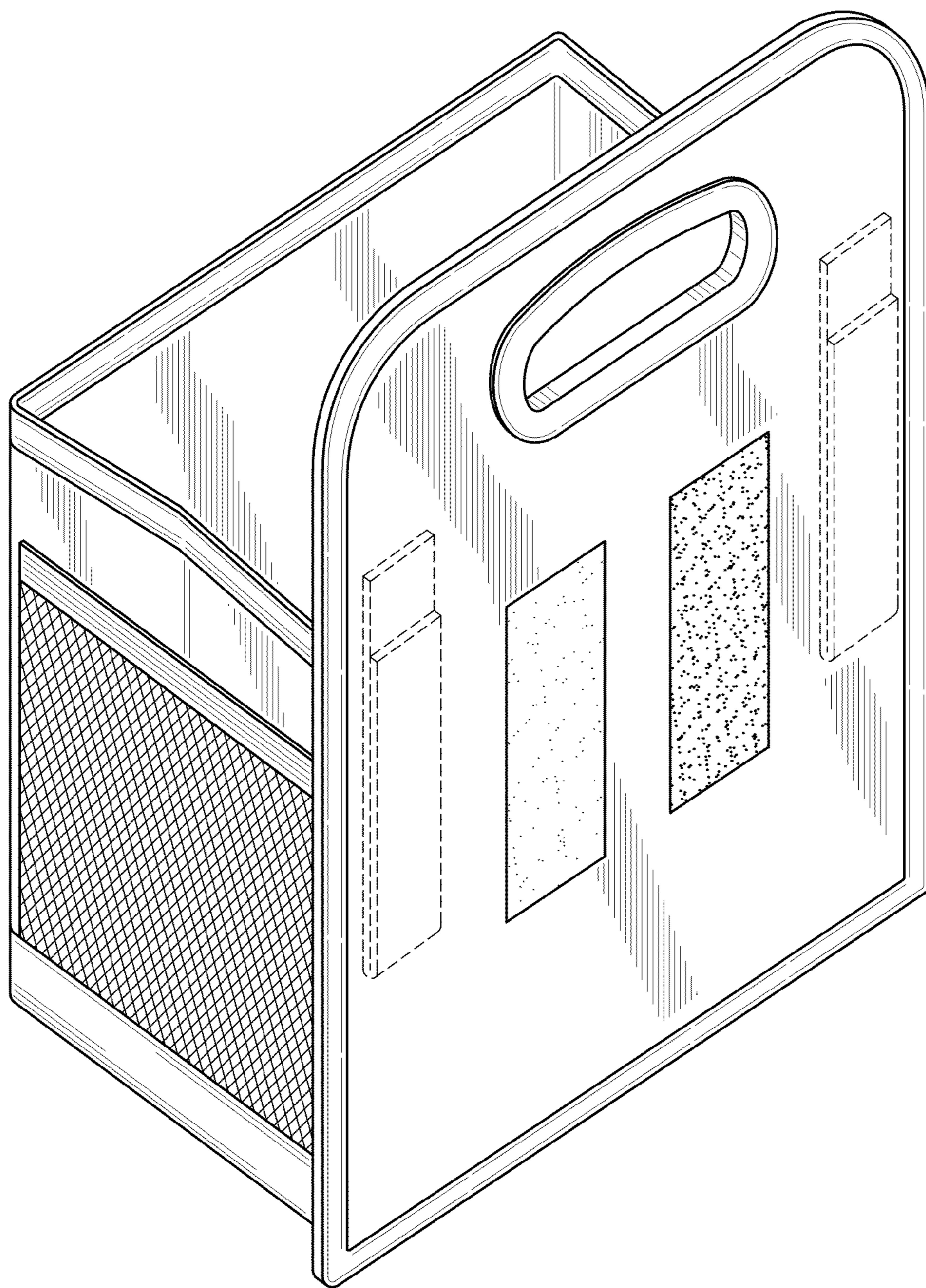
U.S. PATENT DOCUMENTS

2,533,725 A *	12/1950	Eisenberg	.....	211/63
D376,454 S *	12/1996	Fierek et al.	.....	D32/54
D417,079 S *	11/1999	Heltzel	.....	D3/315
6,085,902 A *	7/2000	Fang	.....	206/373
D474,022 S *	5/2003	Leighton	.....	D3/315
D524,544 S *	7/2006	Crook	.....	D3/319

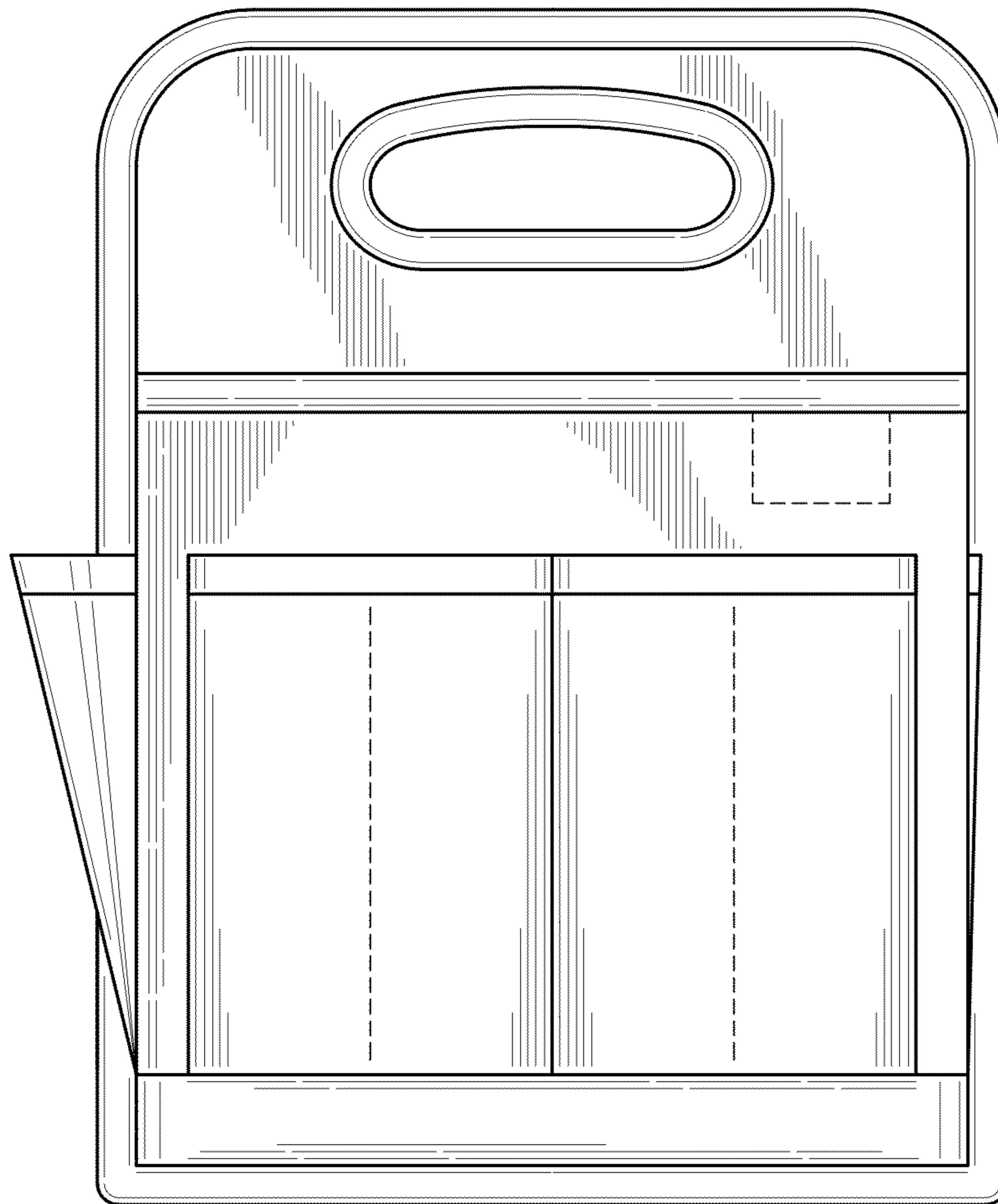




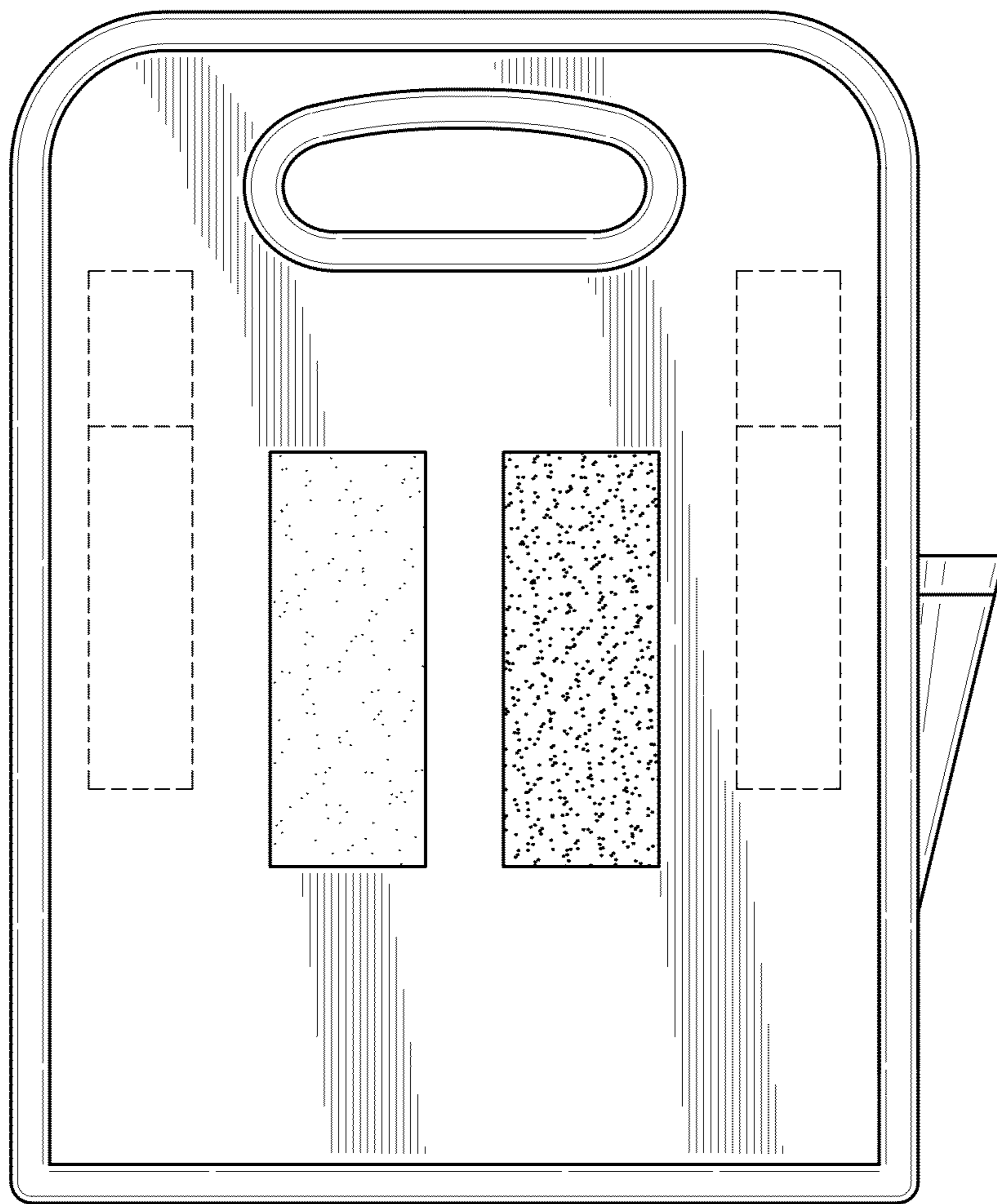
**FIG. 1**



**FIG. 2**



**FIG. 3**



**FIG. 4**

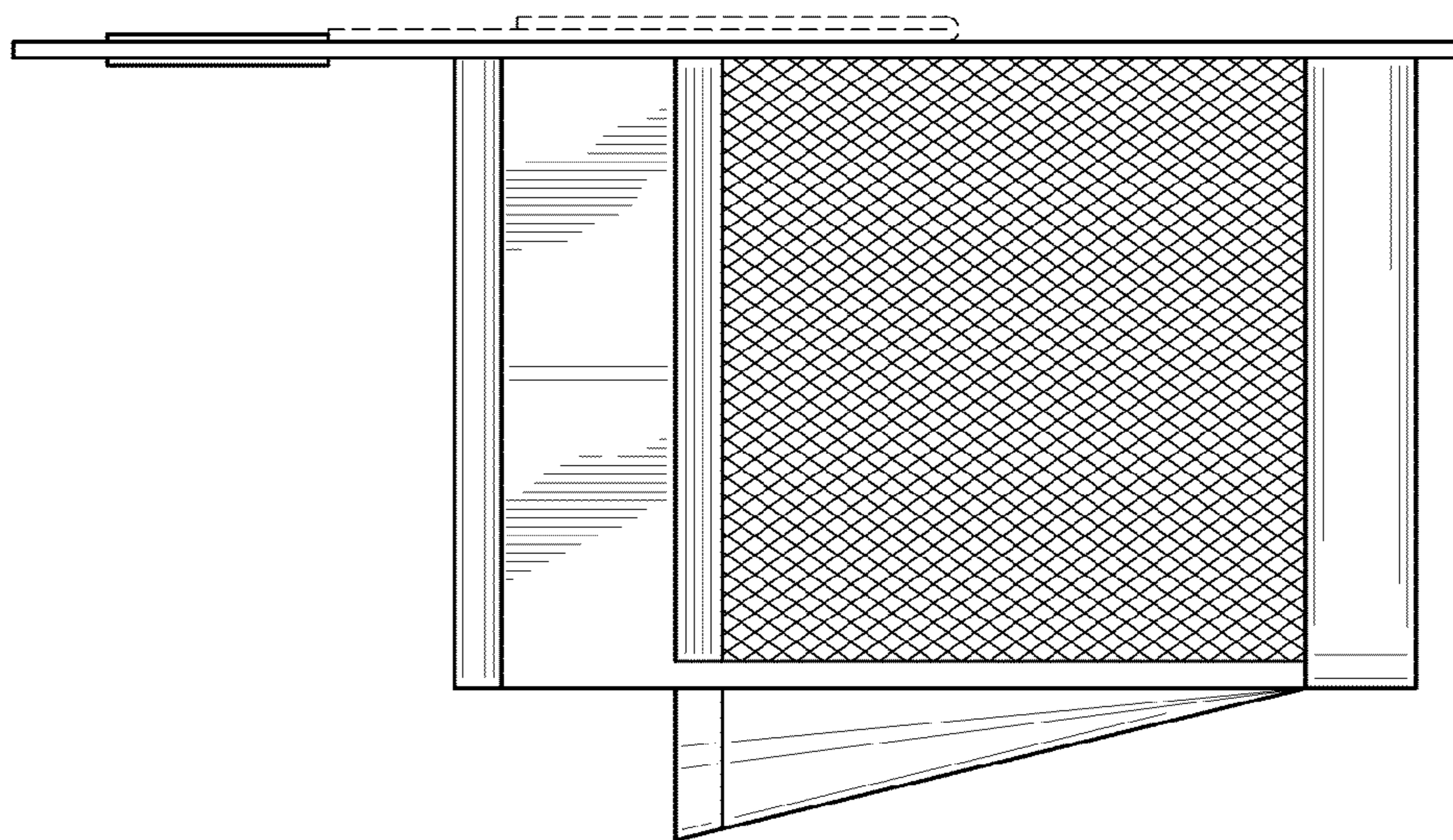


FIG. 6

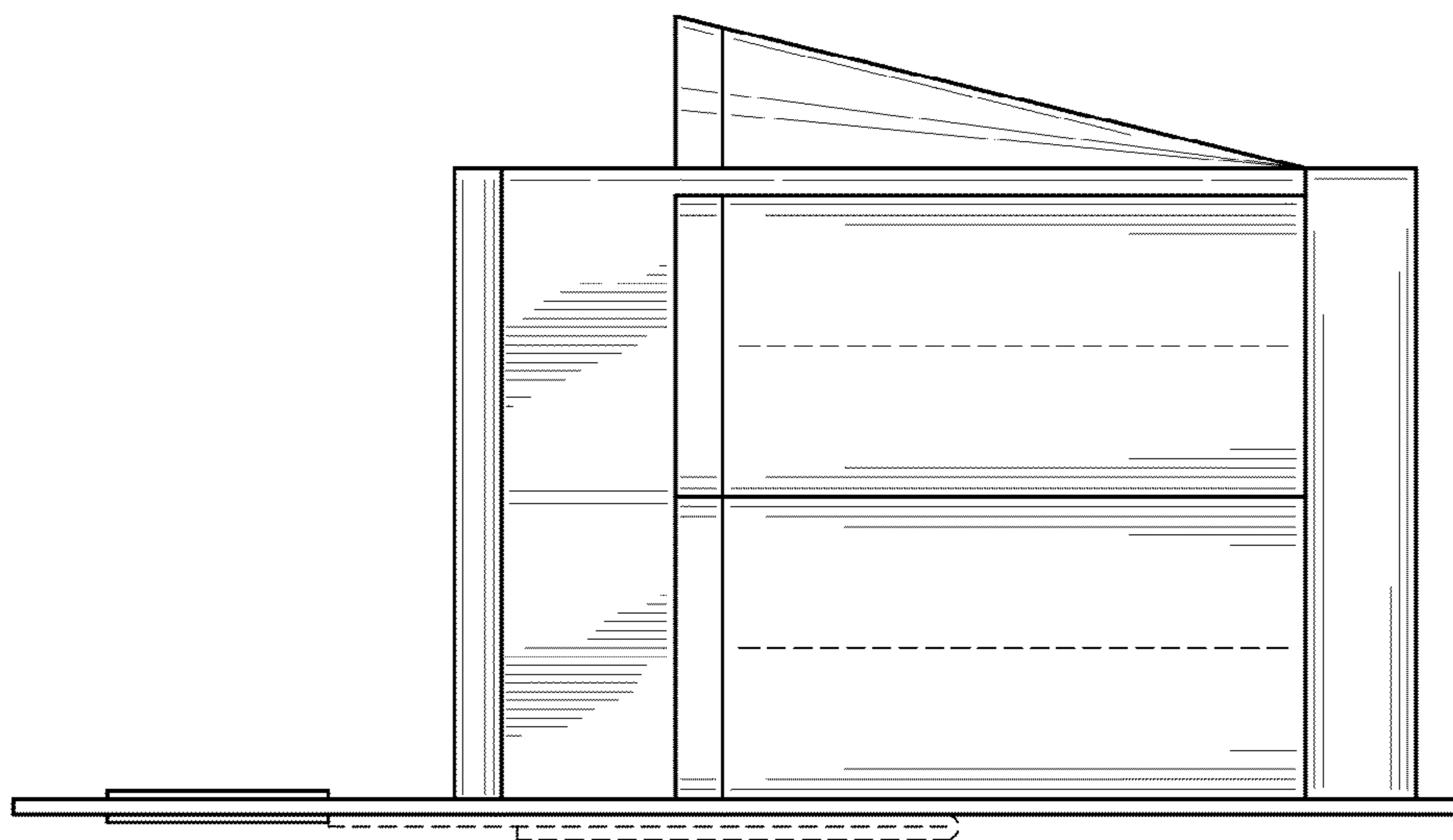
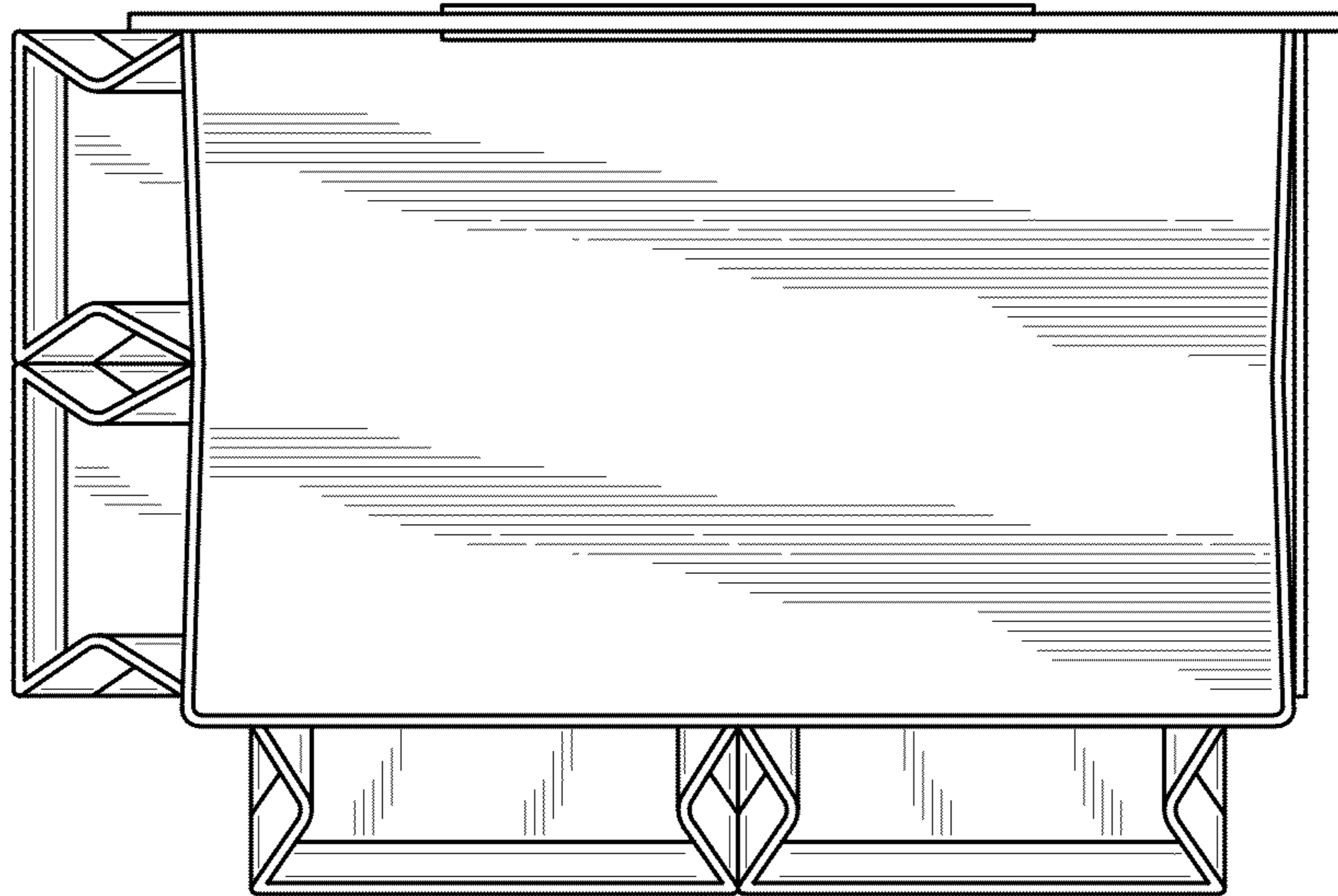
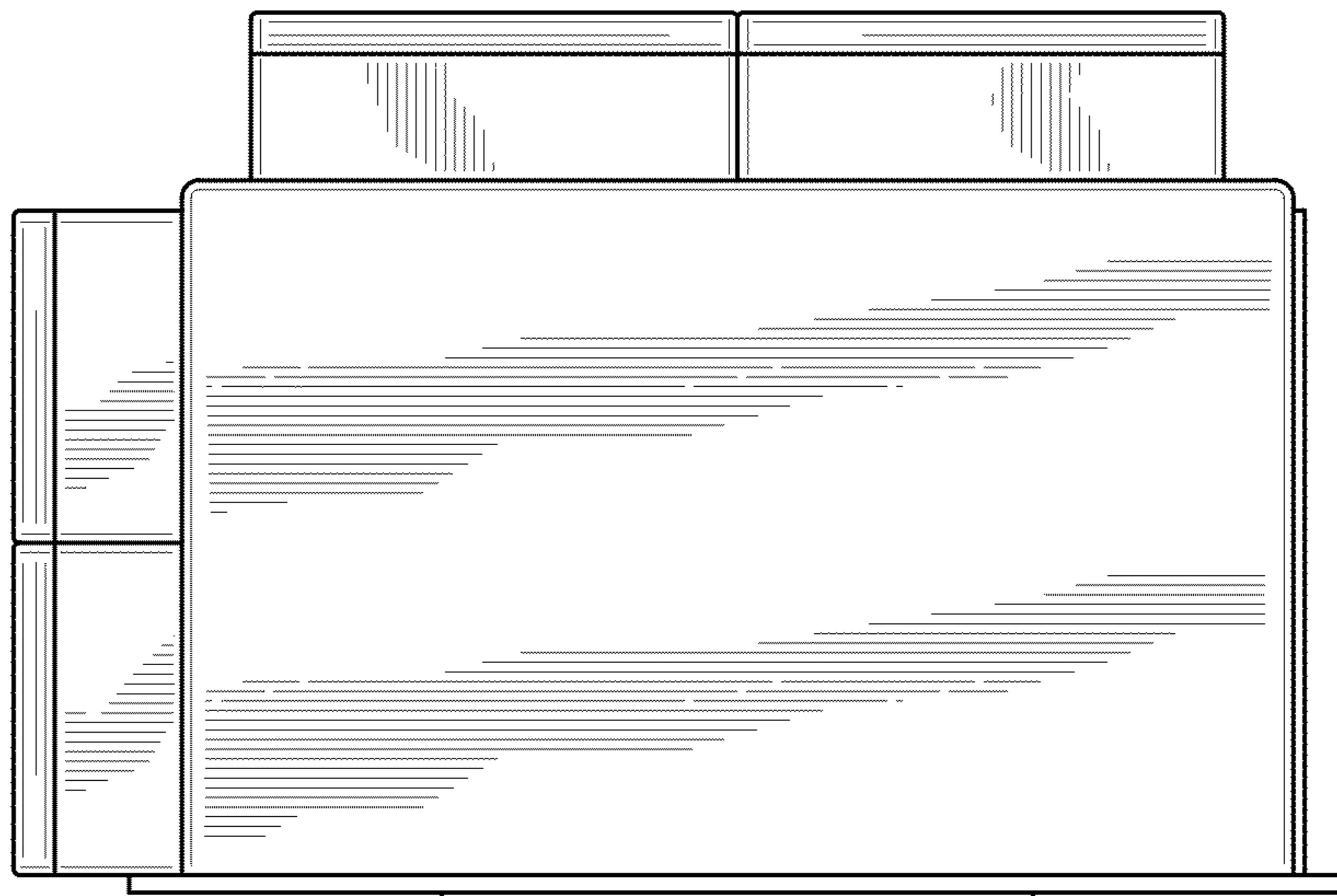


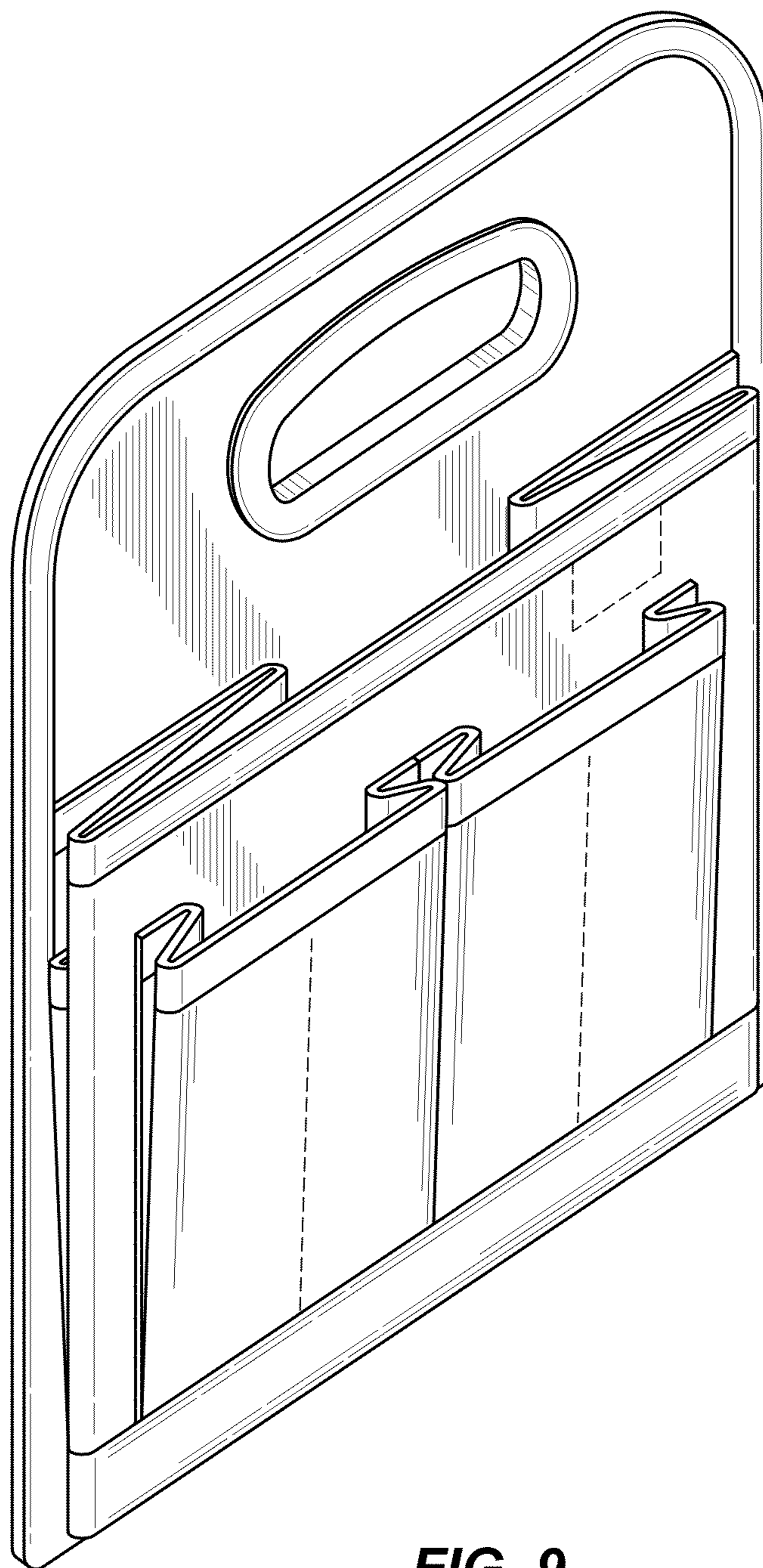
FIG. 5



**FIG. 7**

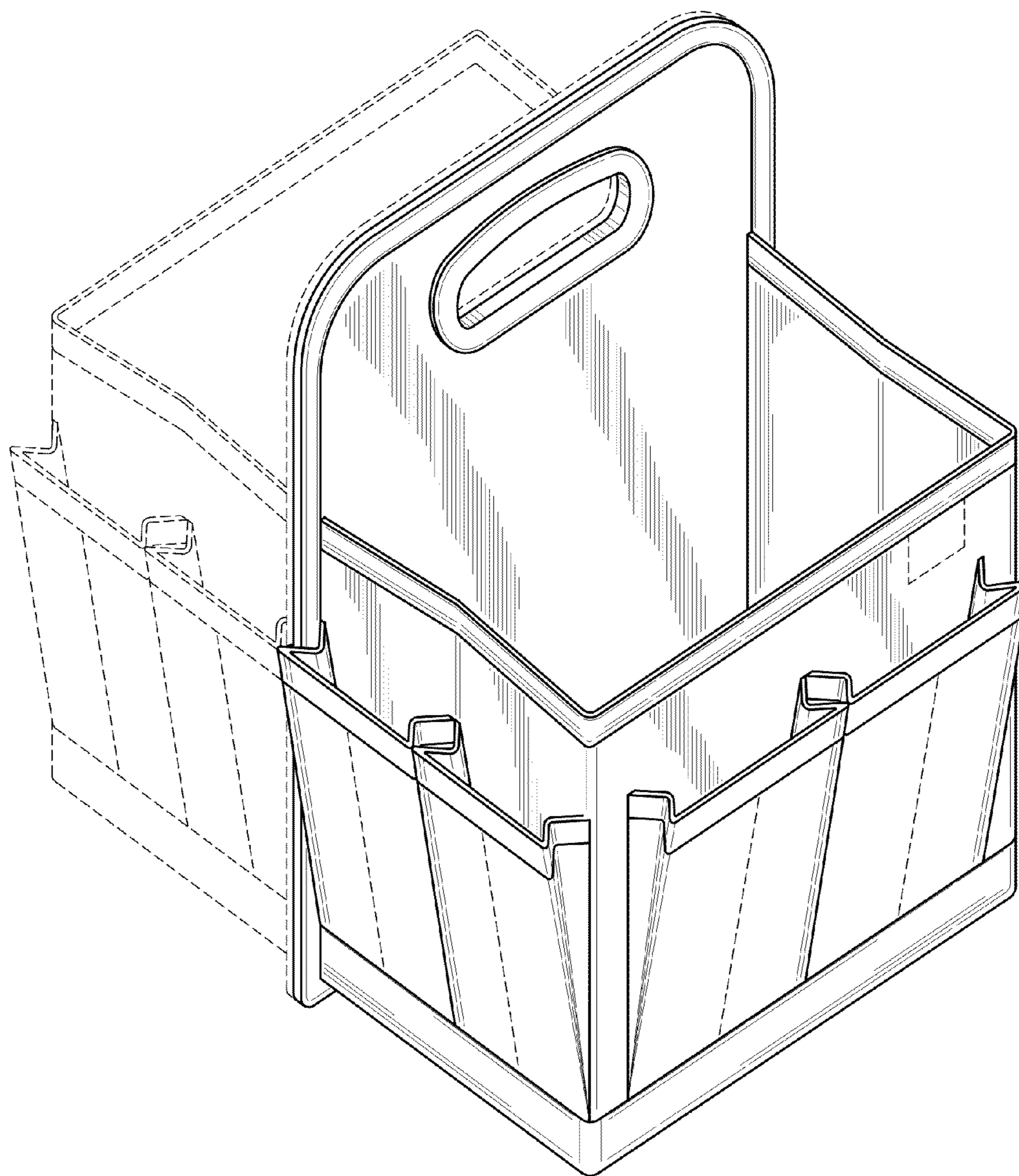


**FIG. 8**



**FIG. 9**





**FIG. 10**