



US00D699430S

(12) **United States Design Patent**  
**Kantor**

(10) **Patent No.:** **US D699,430 S**

(45) **Date of Patent:** **\*\* Feb. 18, 2014**

(54) **SYSTEM FOR CARDIAC AND RESPIRATORY EMERGENCIES**

(71) Applicant: **Inovytec Medical Solutions Ltd**, Nahal Oz (IL)

(72) Inventor: **Ehud Kantor**, Hod-hasharon (IL)

(73) Assignee: **Inovytec Medical Solutions Ltd.**, Nahal Oz (IL)

(\*\*) Term: **14 Years**

(21) Appl. No.: **29/447,810**

(22) Filed: **Mar. 7, 2013**

(30) **Foreign Application Priority Data**

Sep. 11, 2012 (IL) ..... 53172

(51) **LOC (10) Cl.** ..... **03-01**

(52) **U.S. Cl.**  
USPC ..... **D3/203.1**

(58) **Field of Classification Search**  
USPC ..... D3/201-205, 272-273, 282, 294;  
128/205.25; 206/528-540, 320;  
D24/110, 167-168

See application file for complete search history.

(56) **References Cited**

U.S. PATENT DOCUMENTS

D643,618 S \* 8/2011 Guichet ..... D3/203.1  
D668,037 S \* 10/2012 London ..... D3/203.1  
D679,904 S \* 4/2013 Allan ..... D3/203.1

\* cited by examiner

*Primary Examiner* — Catheri Oliver-Garcia

(74) *Attorney, Agent, or Firm* — Roach Brown McCarthy & Gruber, P.C.; Kevin D. McCarthy

(57) **CLAIM**

The ornamental design for a a system for cardiac and respiratory emergencies, as shown and described.

**DESCRIPTION**

FIG. 1 is a perspective view of a system for cardiac and respiratory emergencies;

FIG. 2 is a front elevation view thereof;

FIG. 3 is a rear elevation view thereof;

FIG. 4 is a right side view thereof;

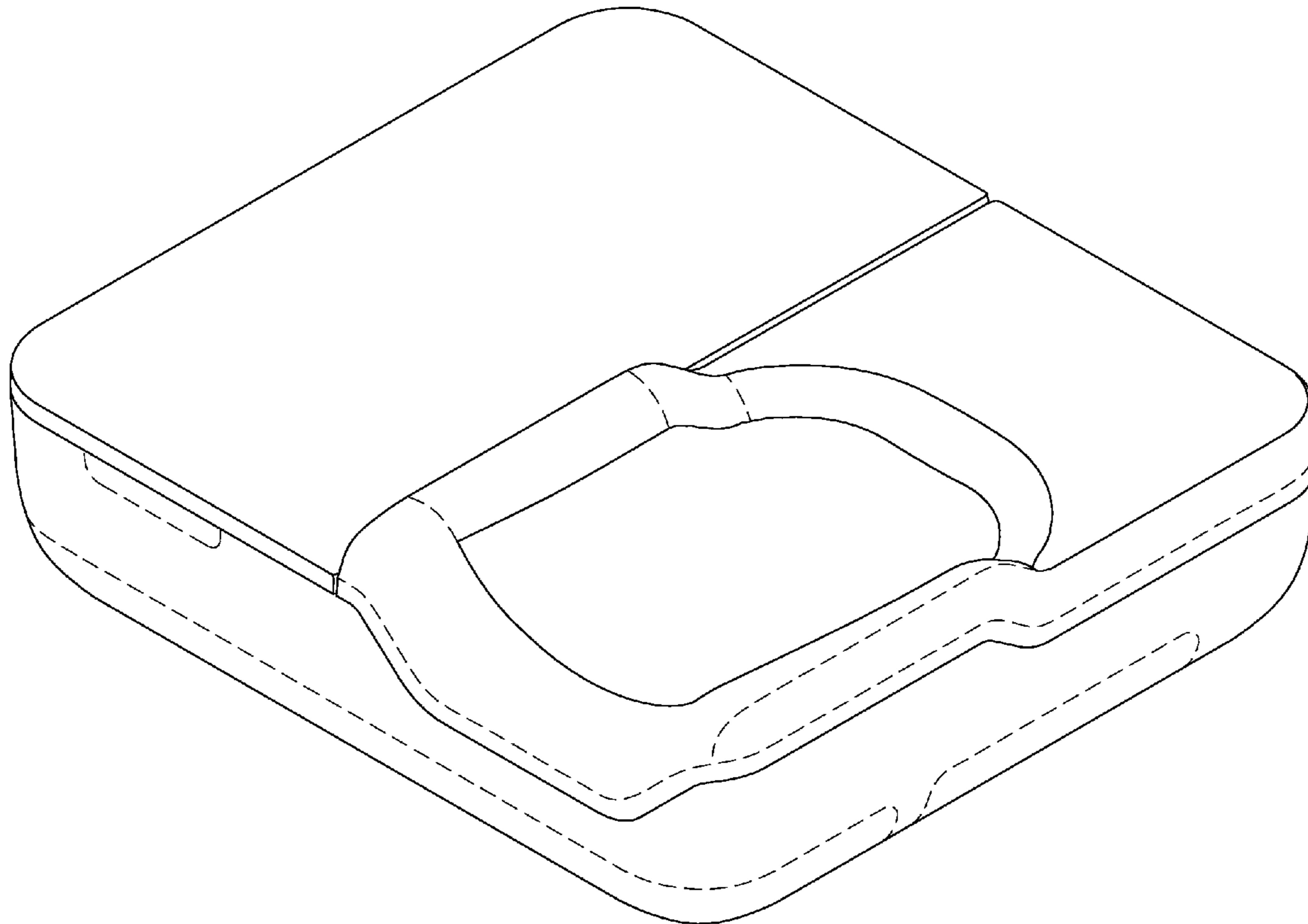
FIG. 5 is a left side view thereof;

FIG. 6 is a top view thereof; and,

FIG. 7 is a bottom view thereof.

Portions of the article shown on FIGS. 1 to 7 in broken lines form no part of the claimed design.

**1 Claim, 7 Drawing Sheets**



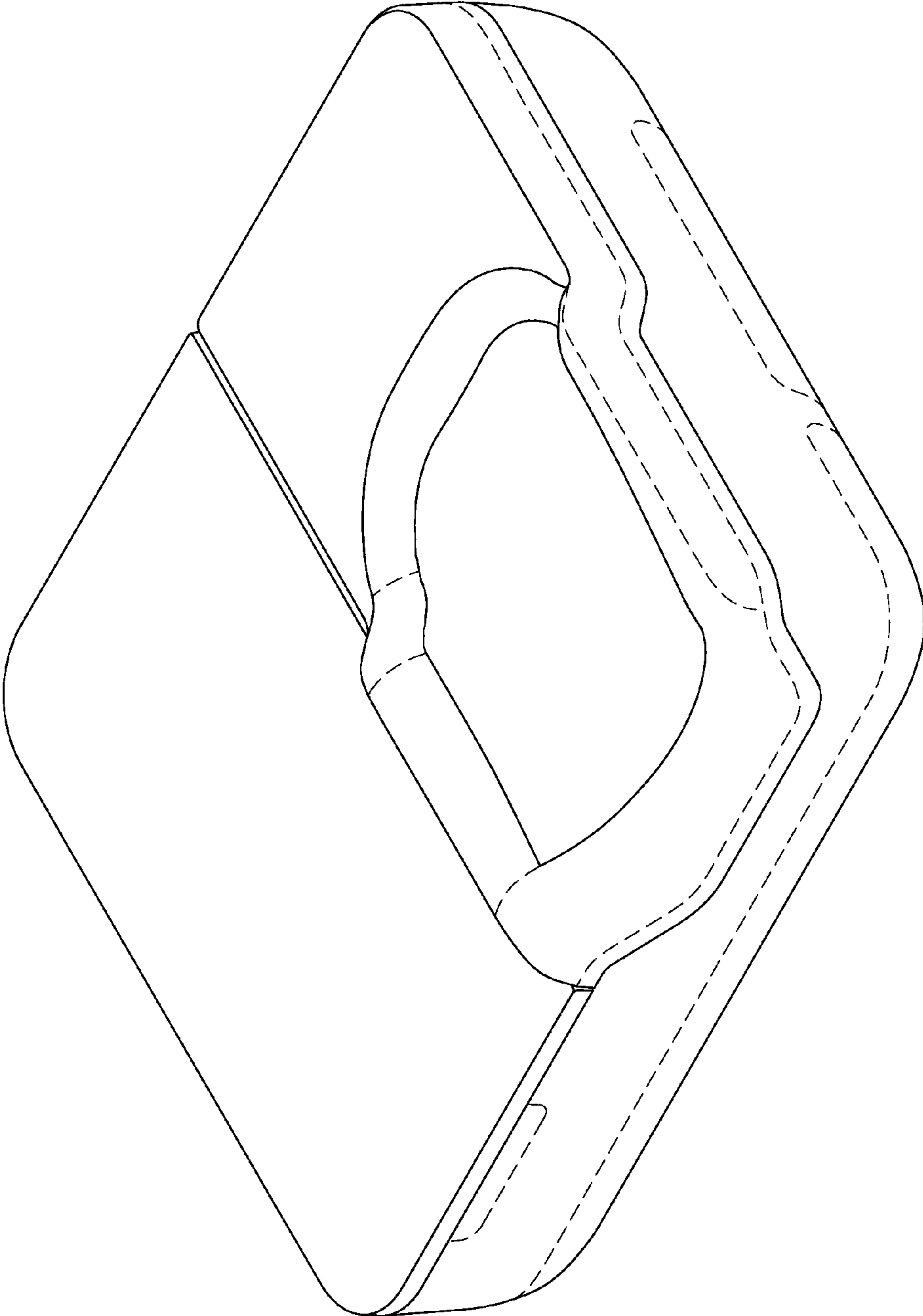


Figure 1

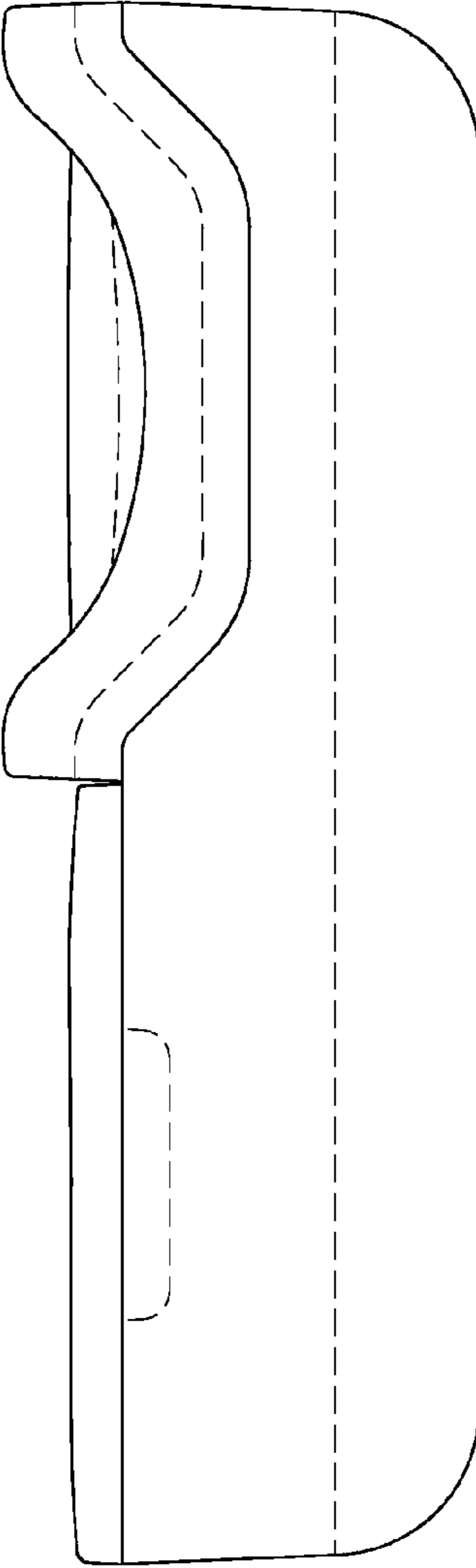


Figure 2

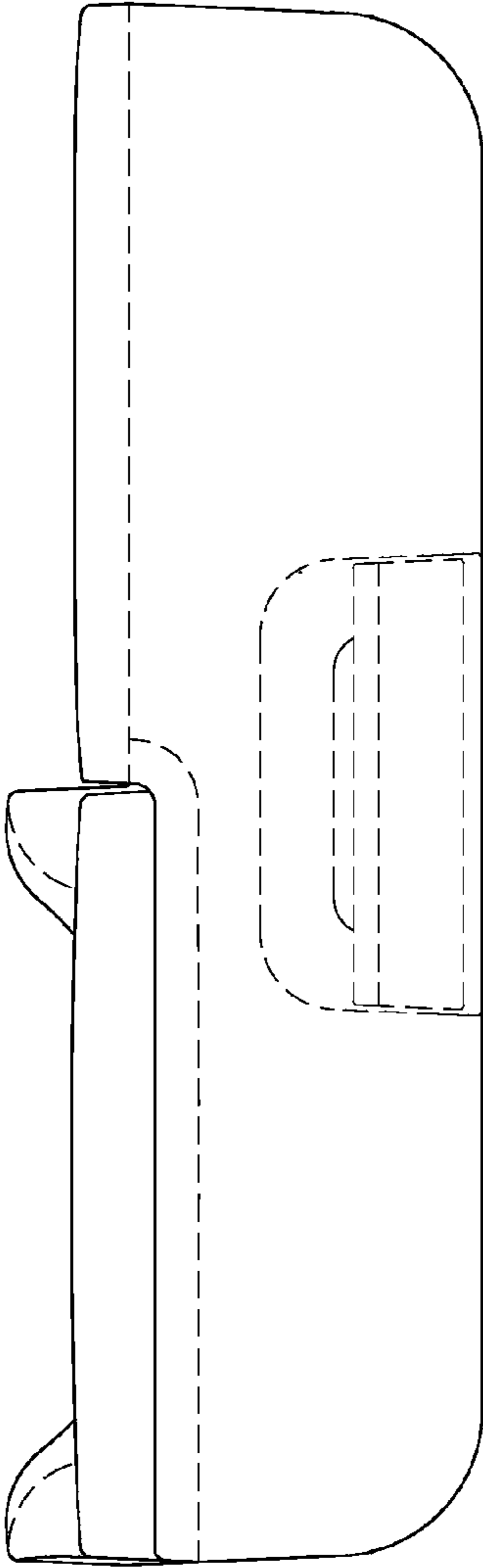


Figure 3

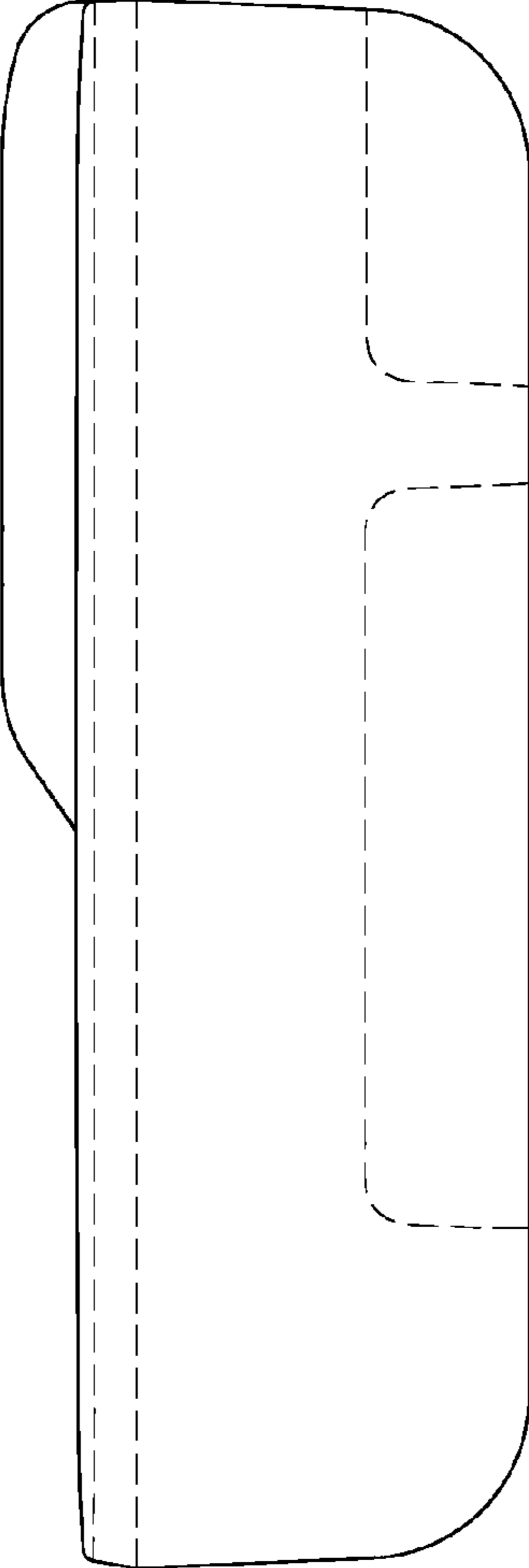


Figure 4

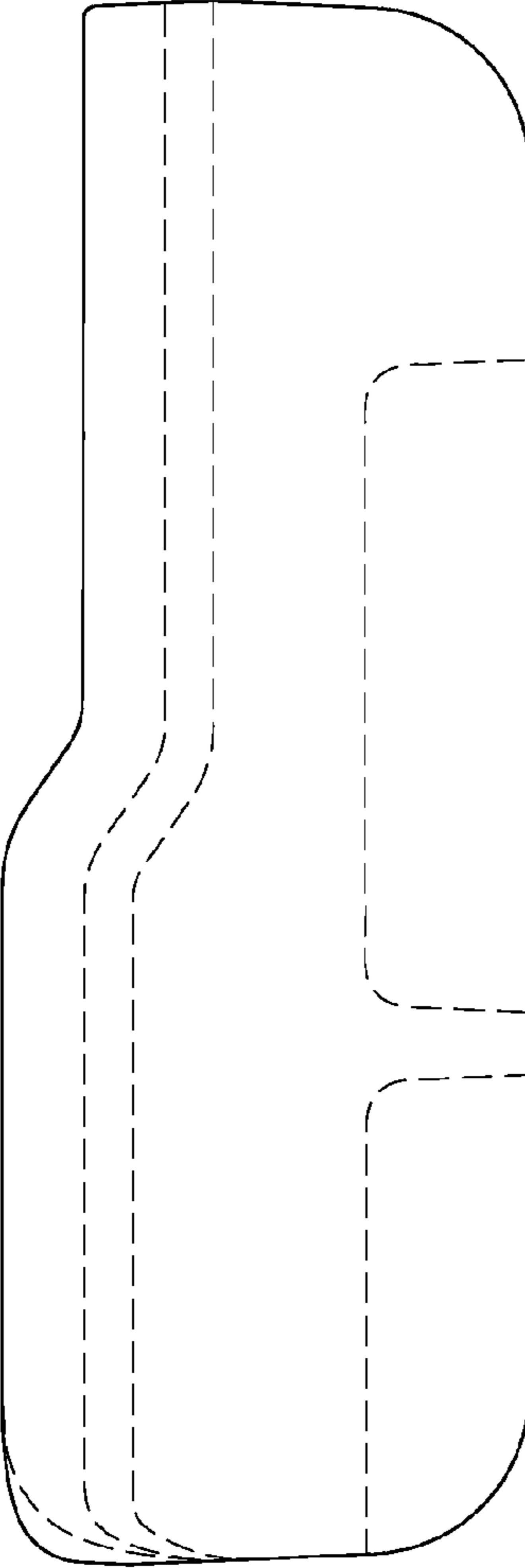


Figure 5

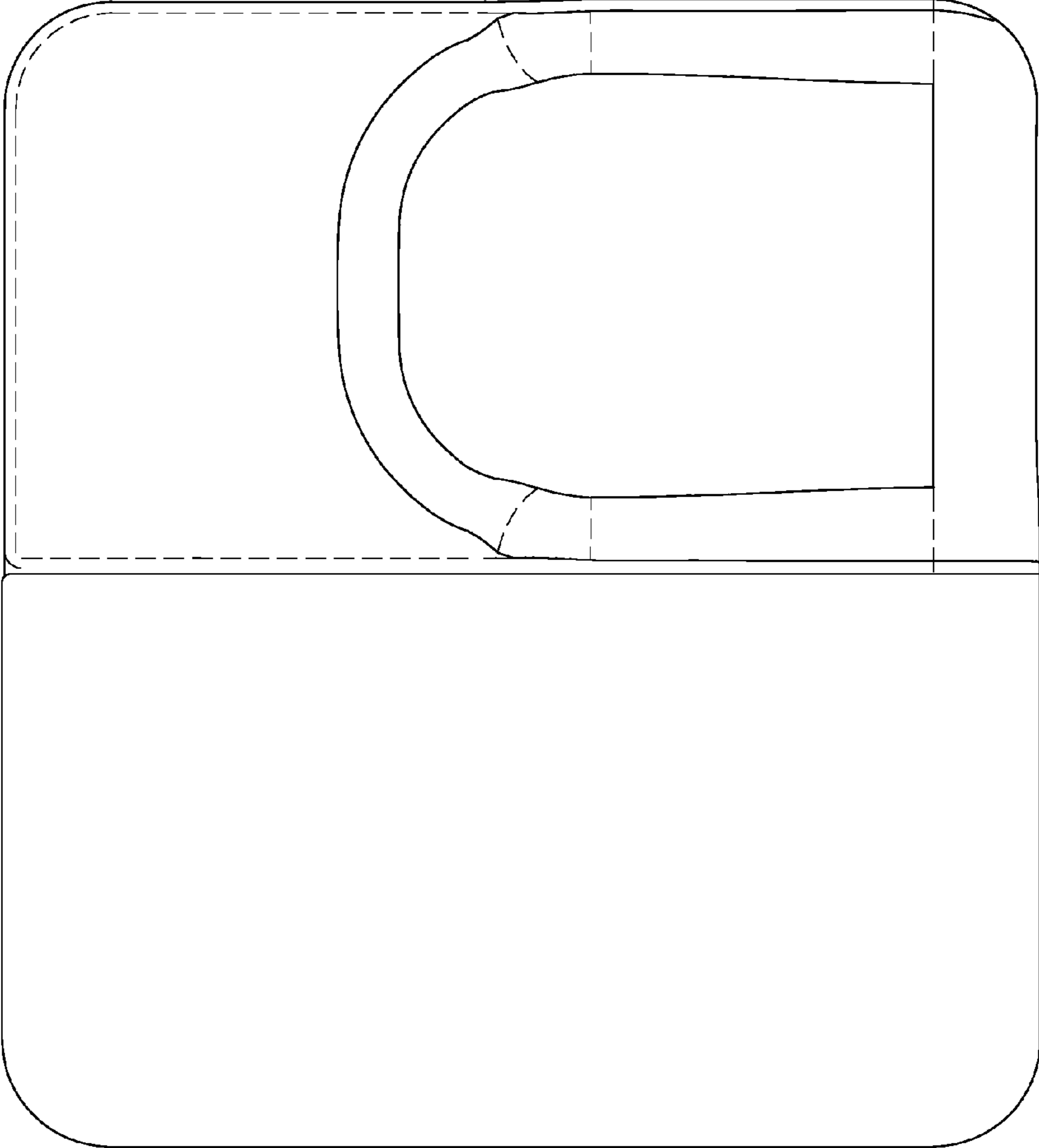


Figure 6

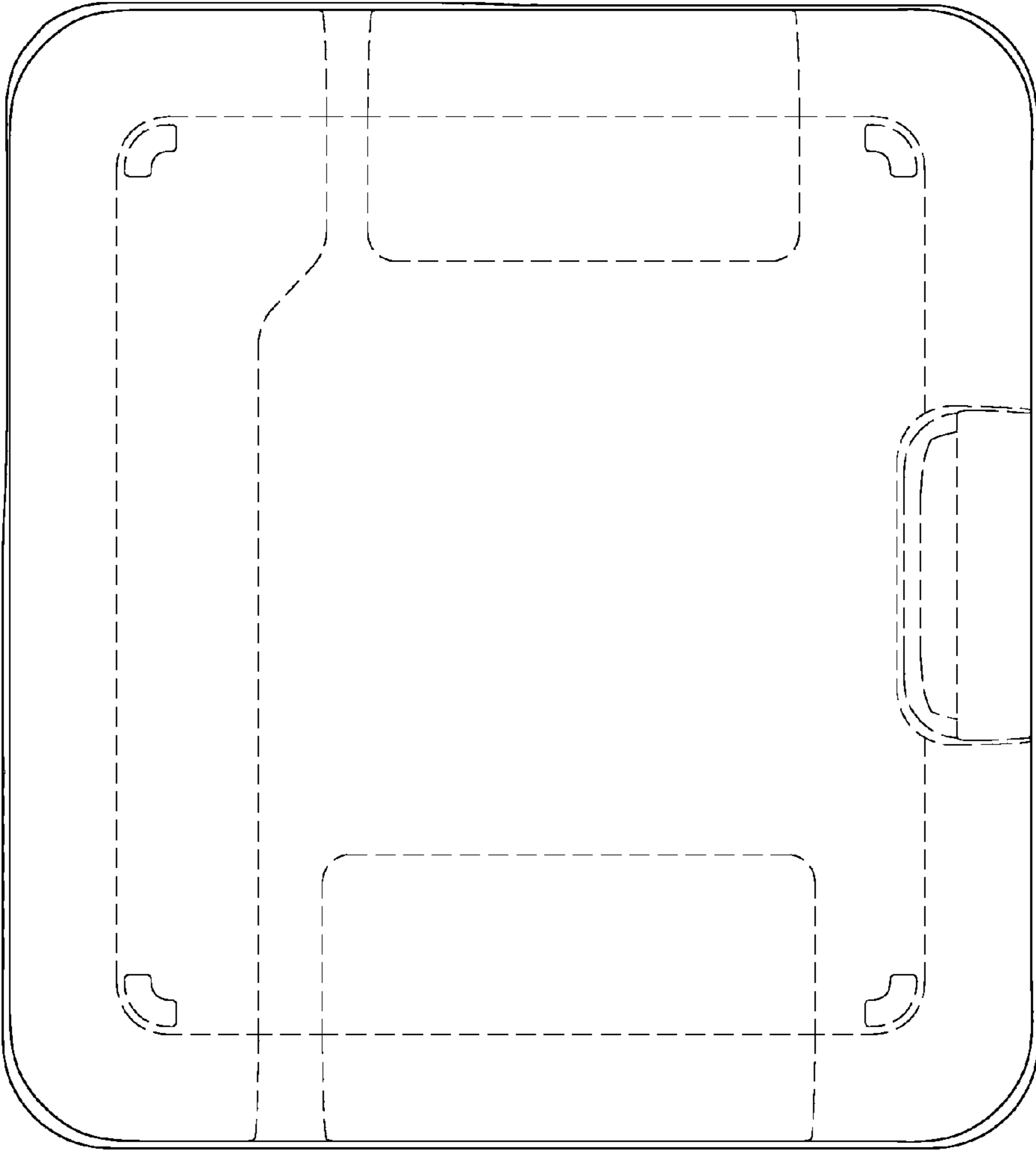


Figure 7